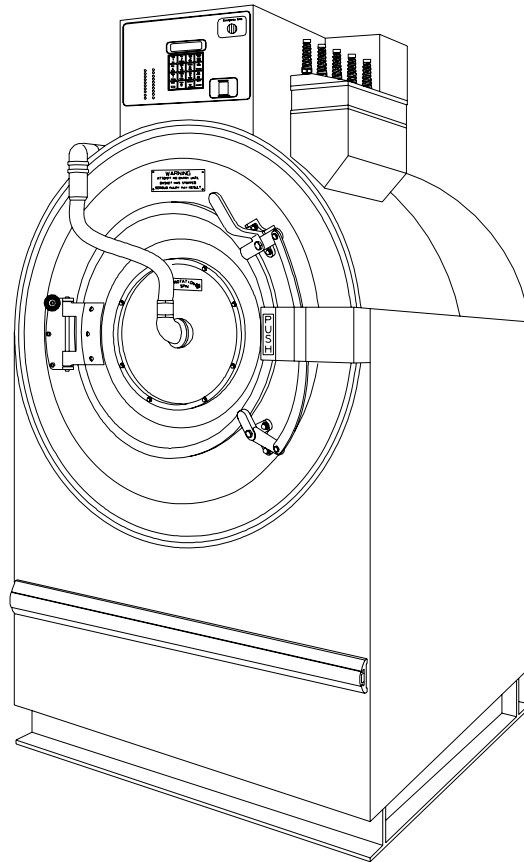


# Washer-Extractor

Pocket Hardmount

UW125P4



P005C\_F8008201



&



[www.partsking.com](http://www.partsking.com)

Part No. F8008201R9  
February 2012



# Table of Contents

Title	Page
Parts Ordering Information.....	2
Nameplate Location.....	2
Model Identification.....	3
Pocket Hardmount Washer-Extractor Product Overview.....	4
Decals.....	6
Control Module - WE-6 Control Module.....	8
Control Module - WE-5 Microprocessor.....	10
New Style Cover Panels.....	12
Old Style Cover Panels.....	14
Door Assembly - 2 Door Box (Drawing 1 of 2).....	16
Door Assembly - 2 Door Box (Drawing 2 of 2).....	18
Door Assembly - 1 Door Box (Drawing 1 of 2).....	20
Door Assembly - 1 Door Box (Drawing 2 of 2).....	22
2 Door Box Assembly - Solenoid without Plunger Style.....	24
2 Door Box Assembly - Solenoid with Plunger Style.....	26
1 Door Box Assembly.....	28
Basket, Shell and Frame.....	30
New Style Supply Dispenser.....	32
Old Style Supply Dispenser with Horton Valve.....	34
Old Style Supply Dispenser with Mueller Valve.....	36
Spray and Fill Plumbing Assembly with 3/4-Inch Hays Valves.....	38
Spray and Fill Plumbing Assembly with 3/4-Inch Parker Valves.....	40
Spray and Fill Plumbing Assembly with 1-Inch Parker Valves.....	42
Spray and Fill Plumbing Assembly with 1 1/4-Inch Hays Valves.....	44
Vacuum Breaker Assembly with Leak Containment Kit.....	46
Drain Valve and Plumbing.....	48
Drain Valve.....	50
Bearings.....	52
Motor, Pulley and Belt.....	54
Balance Switch and Rotation Sensor.....	56
Steam Heat Option.....	58
Security Fasteners.....	60
Special Tools.....	62
Parts Index.....	65

© Copyright 2012, Alliance Laundry Systems LLC

All rights reserved. No part of the contents of this book may be reproduced or transmitted in any form or by any means without the expressed written consent of the publisher.

# Parts Ordering Information

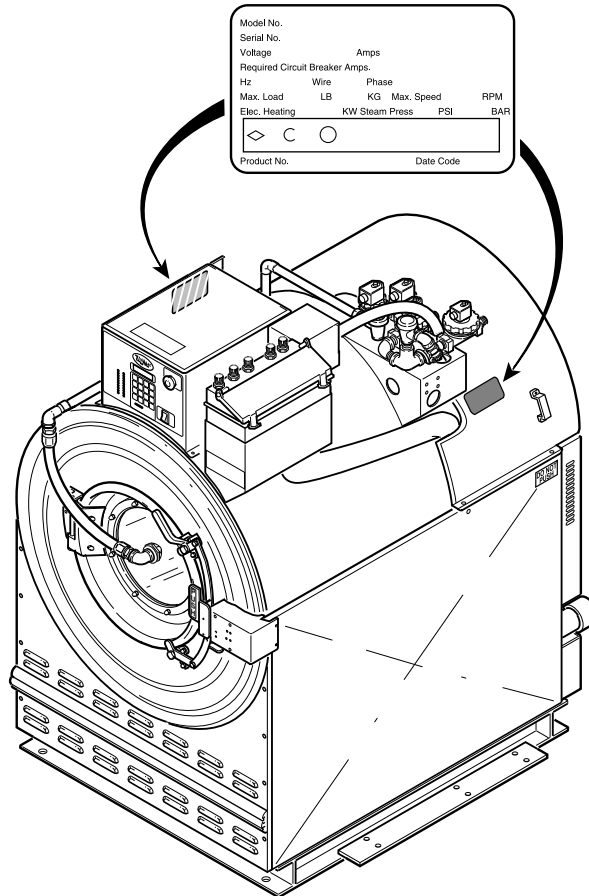
If literature or replacement parts are required, contact the source from whom the machine was purchased or contact Alliance Laundry Systems at (920) 748-3950 for the name and address of the nearest authorized parts distributor.

For technical assistance, call either of the numbers listed below:

(920) 748-3121 Ripon, Wisconsin  
+32 56 41 20 54 Wevelgem, Belgium

# Nameplate Location

When calling or writing about your product, be sure to mention model and serial numbers. Model and serial numbers are located on nameplate(s) as shown.



PHM2306P\_F8008201

## **Model Identification**

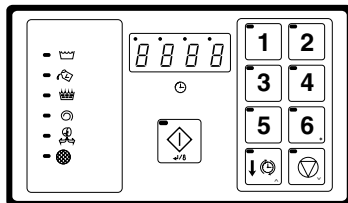
Information in this manual is applicable to this washer-extractor model:

UW125P4

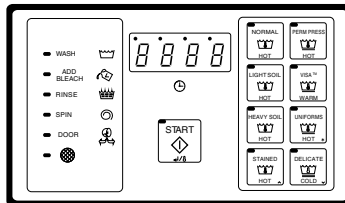
# Pocket Hardmount Washer-Extractor Product Overview

Model No. UW60AMXUB0001  
 Serial No. 00000000000  
 Voltage 200 – 240      Amps 10  
 Circuit Breaker 15 Amps  
 Hz 50 – 60      Wire 2/3      Phase S 3  
 Max. Load 60 LB      27 KG      Max. Speed 594 RPM  
 Elec. Heating N/A      Steam Press. N/A PSI      0.0 BAR

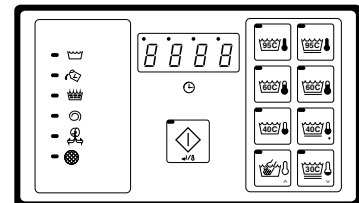
**Drawings:**  
 ETL Listed  
 Conforms To ANSI/UL Std. 1206, 3rd Ed  
 Certified To CAN/CSA Std. C22.2 No.53-1968



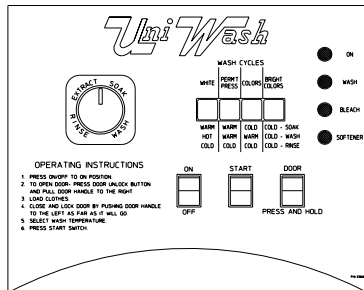
A-Control



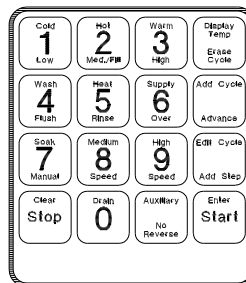
B-Control (Domestic)



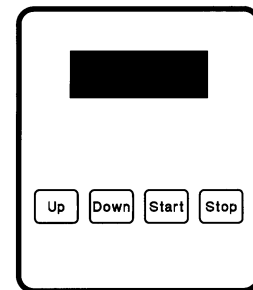
B-Control (International)



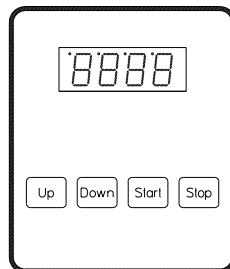
Mechanical Timer



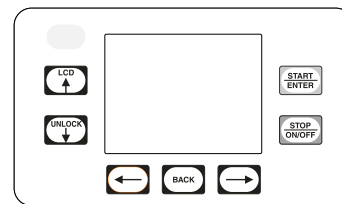
WE-6 Control



S-Computer



V-Computer



UniLinc Control

PHM2979P\_F8008201

## Pocket Hardmount Washer-Extractor Product Overview

REF	PART NO.	DESCRIPTION	COMMENTS
1	-	Product Family	UW
2	-	Capacity (Pounds)	35 60 80 100 125 150
3	-	Control	A (A-Control) B (B-Control) M (Mechanical Timer) P (WE-6 Control) S (S-Computer) V (V-Computer) T (UniLinc Control)
4	-	Speed	2 (2-Speed) 3 (3-Speed) 4 (4-Speed) V (Variable-Speed)
5	-	Voltage	F (440-480/60/3/3) N (440-480/50-60/3/3) O (208-240/60/3/3) P (380-415/60-60/3/3) Q (200-208/220-240/50/60/3ph) R (380-415/440-480/50/60/3ph) X (200-220/220-240/50/60/1-3) Y (208-240/60/1/2)
6	-	OEM	U (Standard Specs)
7	-	Design Series	1-8

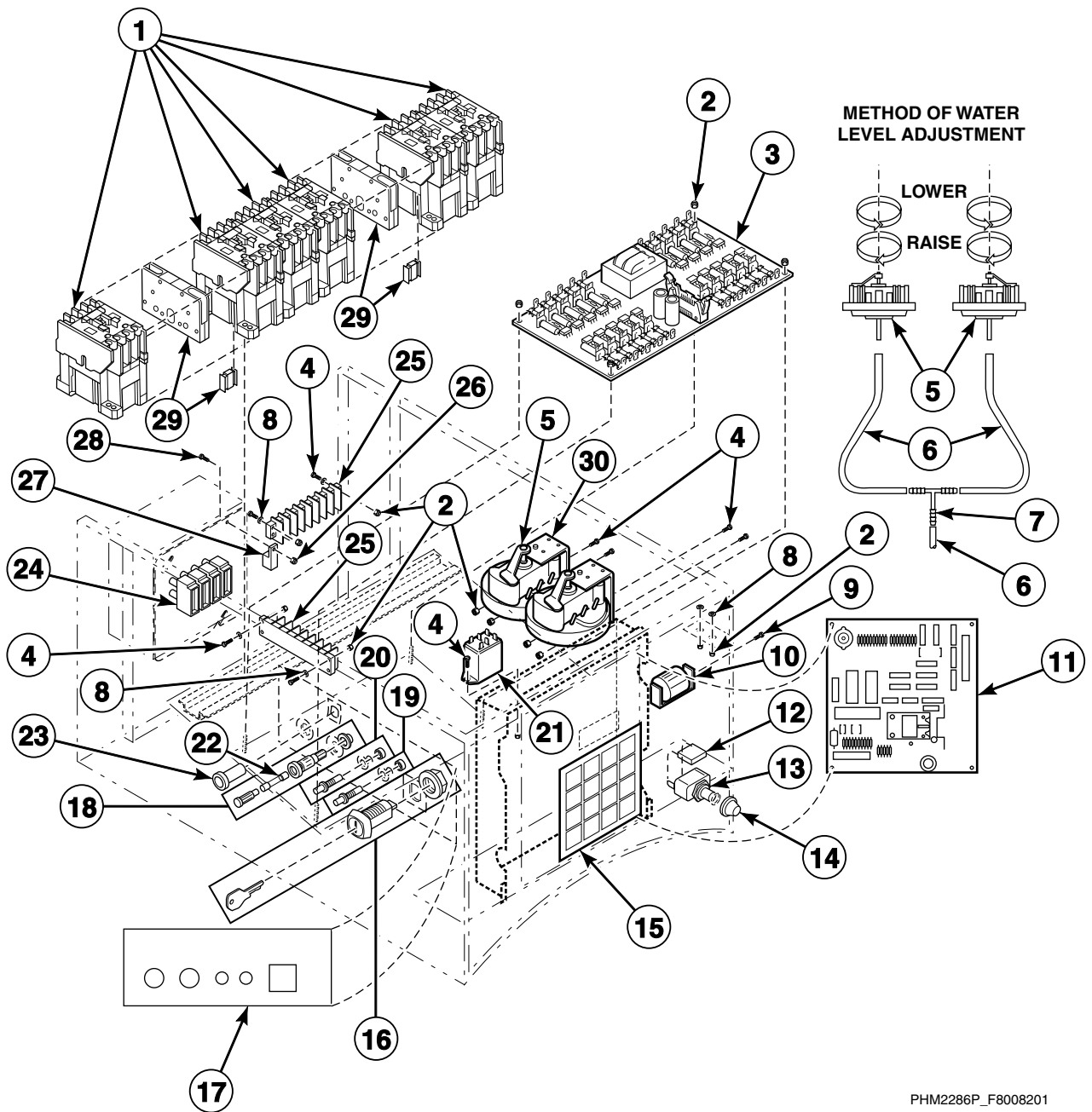




# Decals

REF	PART NO.	DESCRIPTION	COMMENTS
1	505281	Disconnect Power Warning Label	
2	F230301	This Machine Must Be Protected Decal	
3	F231146	Conductor Decal	
4	F230606	External Supply Control Decal	
5	F231380	Hot Surface Warning Decal	
6	F231368	Cold Water Valve Decal	
7	F231367	Hot Water Valve Decal	
8	F230302	Do Not Push Decal	
9	F231436	Supply Dispenser Hazard Caution Decal	
10	F230501	Before Power Is Connected Tag	
11	F230652	Clockwise Spin Rotation Decal	
12	F200085000	Hot Surface Warning Decal	
13	F231065	Personal Injury Warning Decal	

# Control Module - WE-6 Control Module



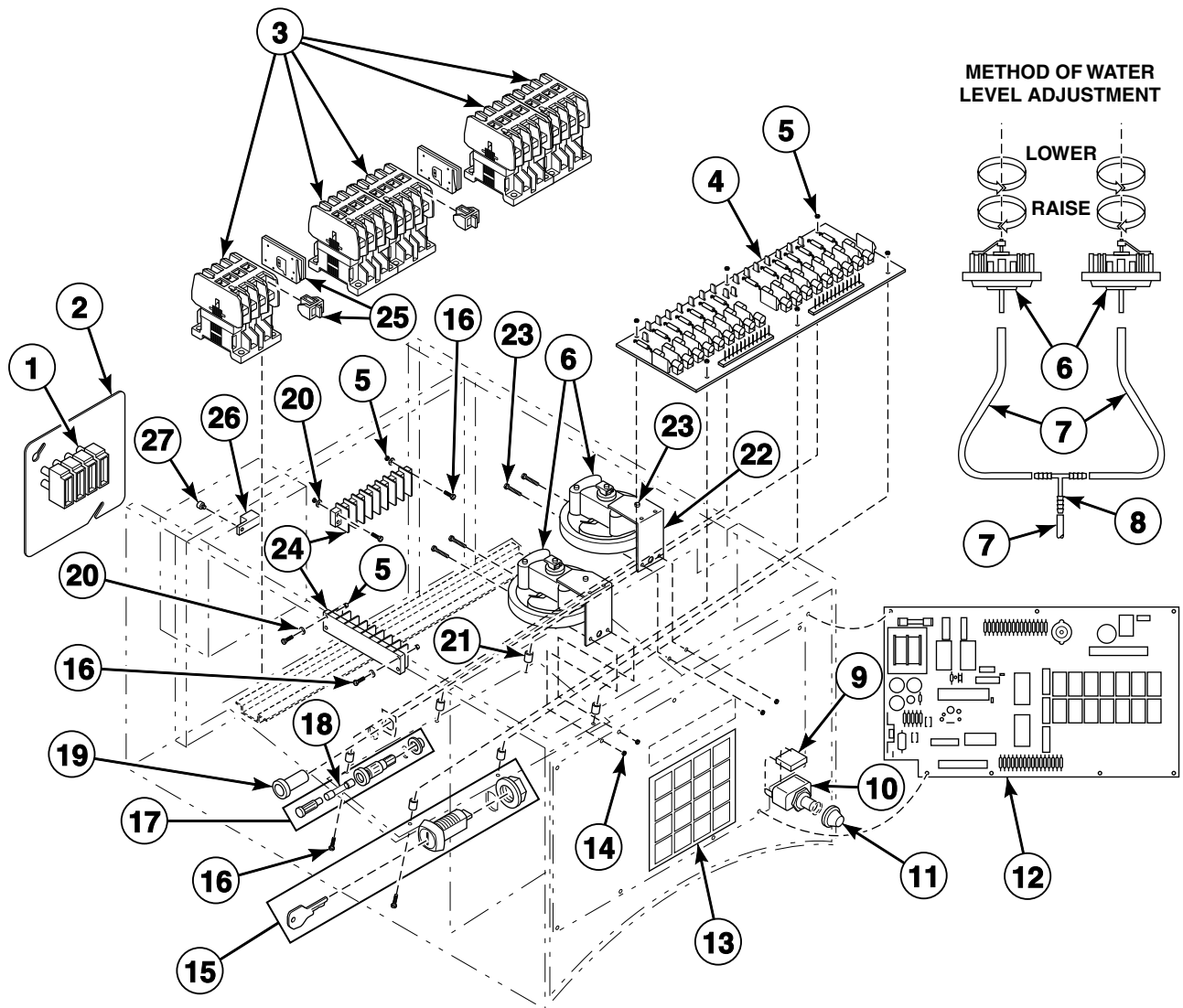
PHM2286P\_F8008201

## Control Module - WE-6 Control Module

REF	PART NO.	DESCRIPTION	COMMENTS
1	F330175P	Contactora	120 Volt; C16
	F330177P	Contactora	220 Volt; C16
	F330178P	Contactora	120 Volt; C23
	F330179P	Contactora	220 Volt; C23
	F330180P	Contactora	120 Volt; C30
	F330182	Contactora	220 Volt; C30
2	F431022	Nut	
3	F0370444-10P	Output CCA	
4	F430916	Screw	
5	F340308P	Water Level Switch	
6	F422404P	Tubing	
7	F422805	Tee	
8	F431113	Washer	
9	F430928	Screw	
10	F300203P	Buzzer	120 Volt
	N/A	Buzzer	220 Volt
11	F370534-00P	WE-6 Computer	
12	F330217P	RC Network Filter	Includes F140627 Connector and F141022 Connector
13	F340403P	Switch	
14	F340409	Pushbutton Boot	
15	F230724P	Keypad Decal	
16	F340800P	Keymode Run/Program Switch	
17	F230678	Keymode Decal	
18	F350304P	Fuse Holder	Includes item 22
19	F140576P	Connector	Blue
20	F140575P	Connector	Gray
21	F330227	Flange Relay	120 Volt
	F330230	Flange Relay	220 Volt
22	F350104	Fuse	2 Amp
23	F350412	Light	Red; 120 Volt
	F350414	Light	Red; 220 Volt
24	F140746	Input Power Block	
25	F140738	Terminal Strip	
26	685846	Nut	
27	F140734	Ground Terminal Lug	
28	F430920	Screw	
29	F330186P	Interlock Contactora	
30	F603912	Level Switch Mounting Bracket	

**N/A = Part no longer available**

# Control Module - WE-5 Microprocessor

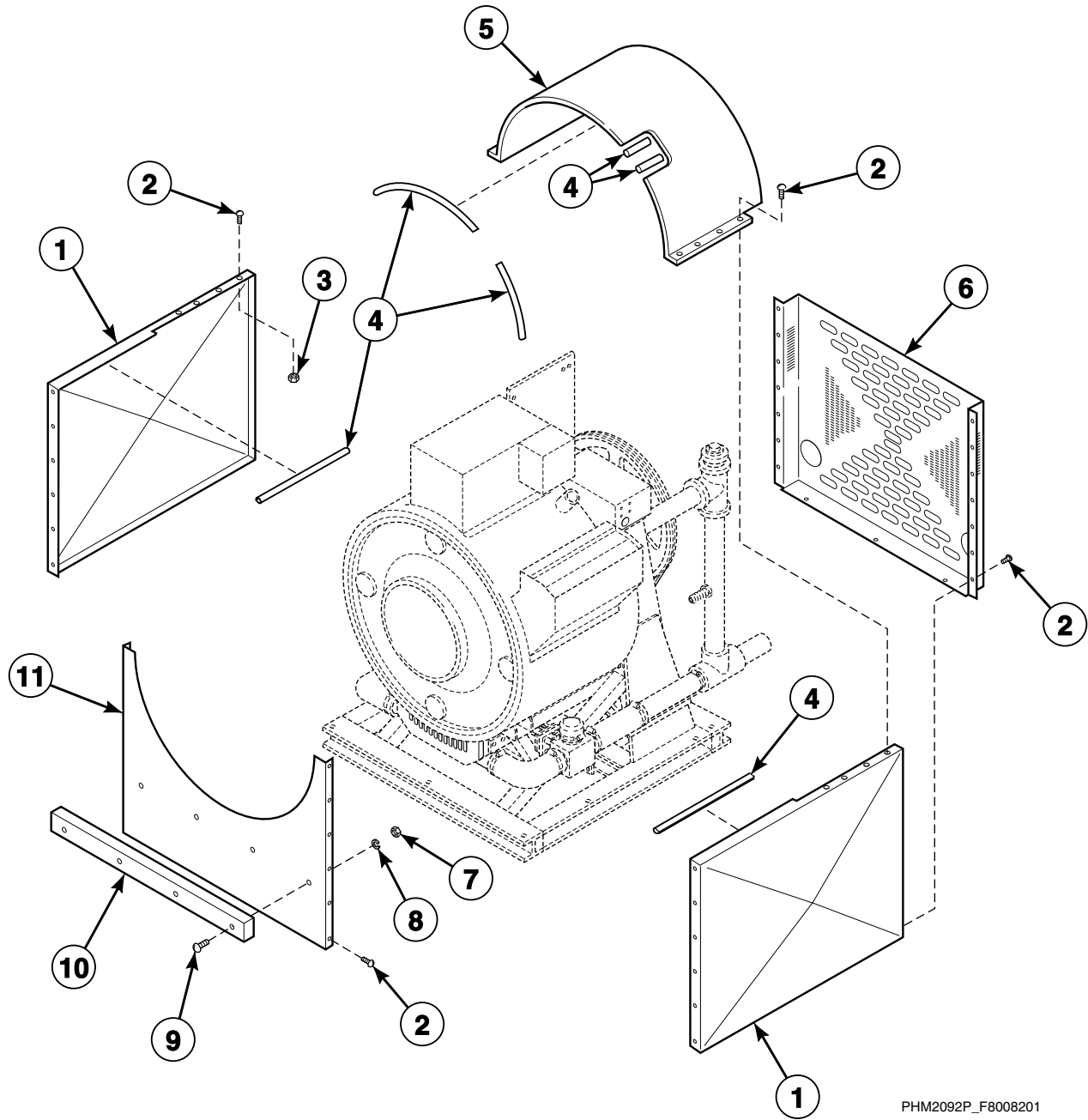


PHM2287P\_F8008201

## Control Module - WE-5 Microprocessor

REF	PART NO.	DESCRIPTION	COMMENTS
1	F140746	Input Power Block	
2	F140401	Junction Box Cover	
3	F330110P	Contactora	Fwd/Rev; 120 Volt
	F330114	Contactora	Fwd/Rev; 220 Volt
	F330115P	Contactora	Med/High; 120 Volt
	F330116	Contactora	Med/High; 220 Volt
4	F730292	Fuse Board Kit	
5	F431022	Nut	
6	F340308P	Water Level Switch	Low
	F340309P	Water Level Switch	High
7	F422404P	Tubing	
8	F422805	Tee	
9	F330217P	RC Network Filter	Includes F140627 Connector and F141022 Connector
10	F340403P	Switch	
11	F340409	Pushbutton Boot	
12	F370717P	WE-5 Board	
13	F340600P	Microswitch Decal	
14	F431006	Nut	
15	F340800P	Keymode Run/Program Switch	
16	F430916	Screw	
17	F350304P	Fuse Holder	Includes item 18
18	F350104	Fuse	2 Amp
19	F350412	Light	Red; 120 Volt
	F350414	Light	Red; 220 Volt
20	F431113	Washer	
21	F431911	Spacer	
22	F603912	Level Switch Mounting Bracket	
23	F430928	Screw	
24	F140738	Terminal Strip	
25	F330111	Mechanical Interlock	
26	F140734	Ground Terminal Lug	
27	F430903	Screw	

# New Style Cover Panels

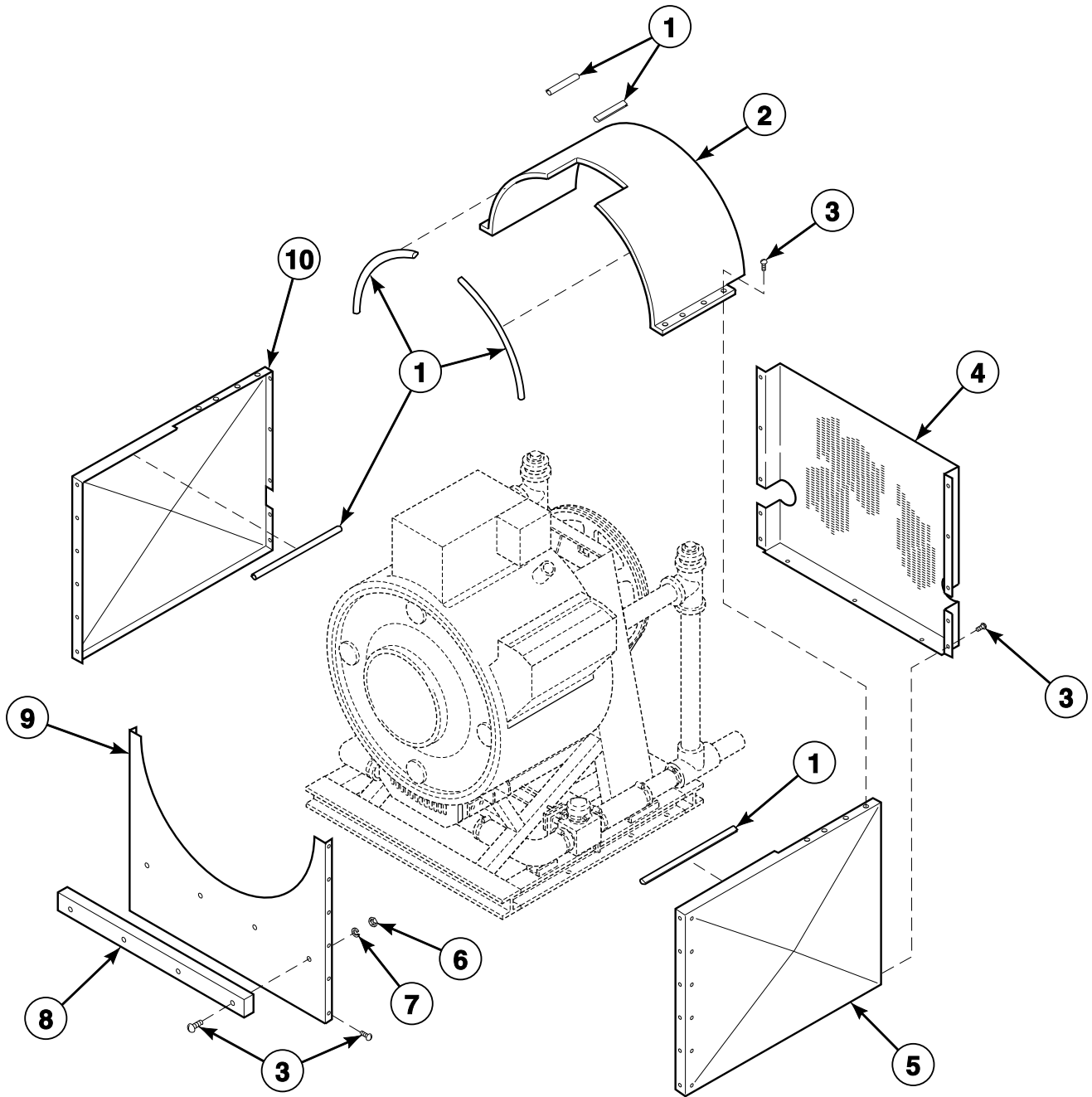


PHM2092P\_F8008201

## New Style Cover Panels

REF	PART NO.	DESCRIPTION	COMMENTS
1	F631553P	Side Panel	Reversible
2	F430956	Screw	
3	F430264	Nut	Tinnerman
4	F170400RP	Trim	
5	F633783	Cage Wrap Assembly	
6	F633777P	Rear Panel	
7	F430211	Nut	
8	F431100	Washer	
9	F430921	Screw	
10	F601839	Rub Rail	
11	F631560	Front Panel	

# Old Style Cover Panels



PHM2093P\_F8008201

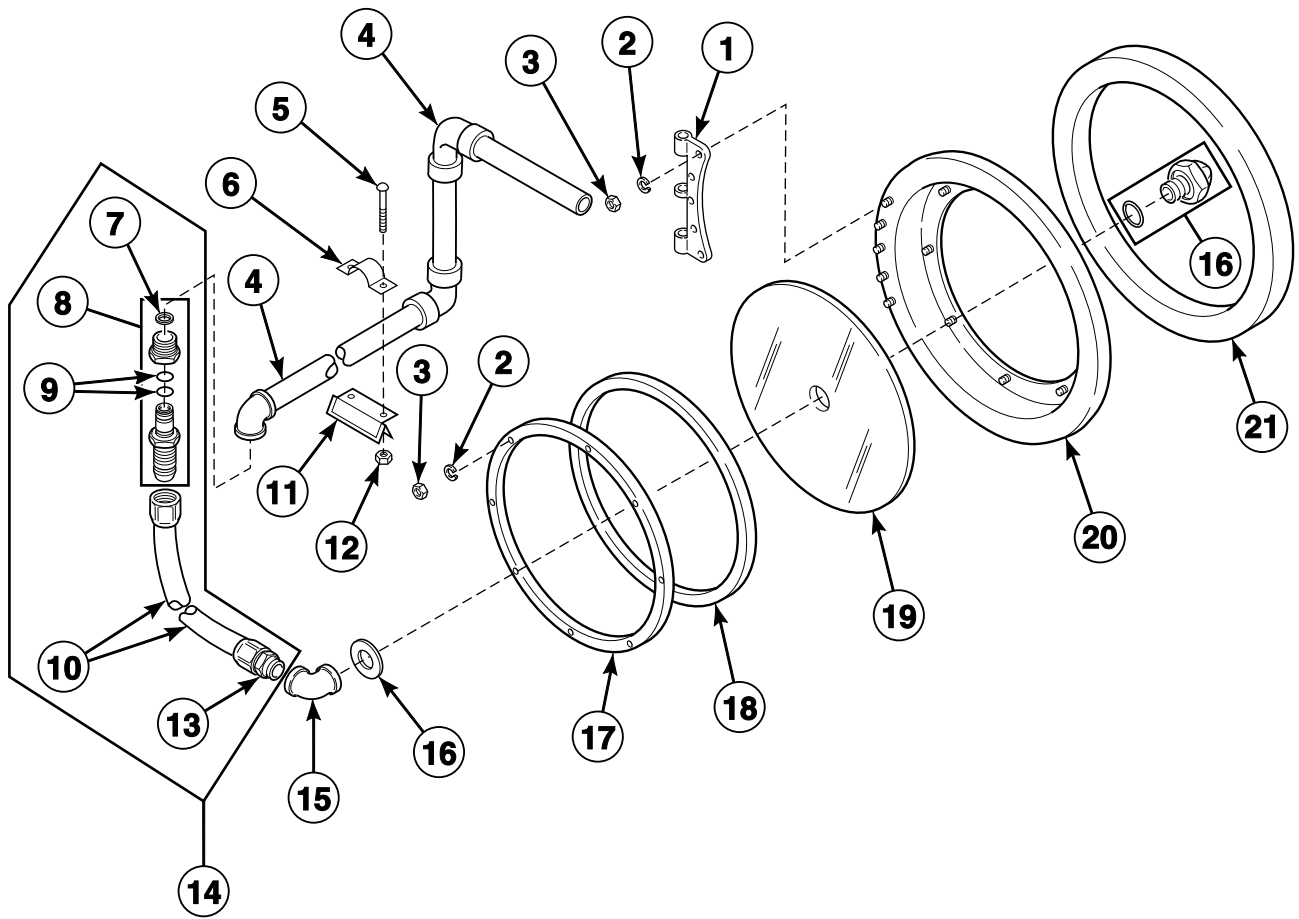


## Old Style Cover Panels

REF	PART NO.	DESCRIPTION	COMMENTS
1	F170400RP	Trim	
2	N/A	Cage Wrap Assembly	
3	F430956	Screw	
4	F631559	Rear Panel	
5	F601838P	Right Side Panel	
6	F430211	Nut	
7	F431100	Washer	
8	F601839	Rub Rail	
9	F601837P	Front Panel	
10	F602919	Left Side Panel	

**N/A = Part no longer available**

# Door Assembly - 2 Door Box (Drawing 1 of 2)

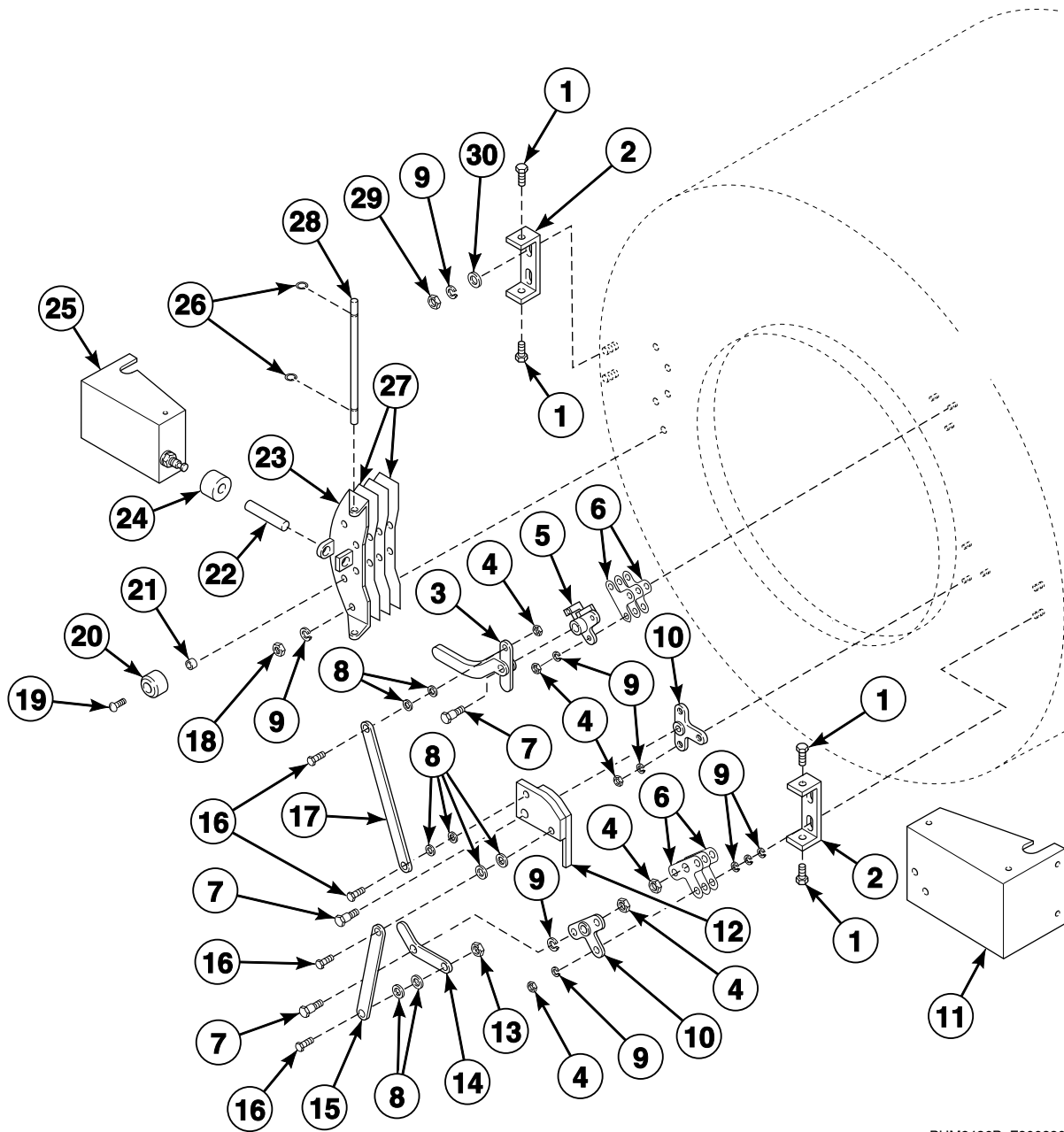


PHM2435P\_F8008201

## Door Assembly - 2 Door Box (Drawing 1 of 2)

REF	PART NO.	DESCRIPTION	COMMENTS
1	F150233	Door Butt	
2	F431100	Washer	
3	F431026	Nut	
4	F610363	Spray Rinse Tube Assembly	
5	F430917	Screw	
6	F602880	Spray Rinse Strap	
7	F310206	Ring Retainer	
8	F422108	Swivel Coupling	
9	F170200	O-Ring	
10	F610068	Hose	
11	F602901P	Spray Rinse Bracket Assembly	Includes items 5 and 12
12	F431022	Nut	
13	F422109	No-Swivel Coupling	
14	F730023	Spray Rinse Hose Kit	Includes items 7-10 and 13
15	F422319	Elbow	
16	F730077	Spray Rinse Nozzle Kit	
17	F320102	Door Retainer Spinning	
18	F170115	Door Glass Gasket	
19	F290204P	Door Glass Kit	
20	F730316	Studded Door Kit	
21	F8434801	Door Gasket	

# Door Assembly - 2 Door Box (Drawing 2 of 2)

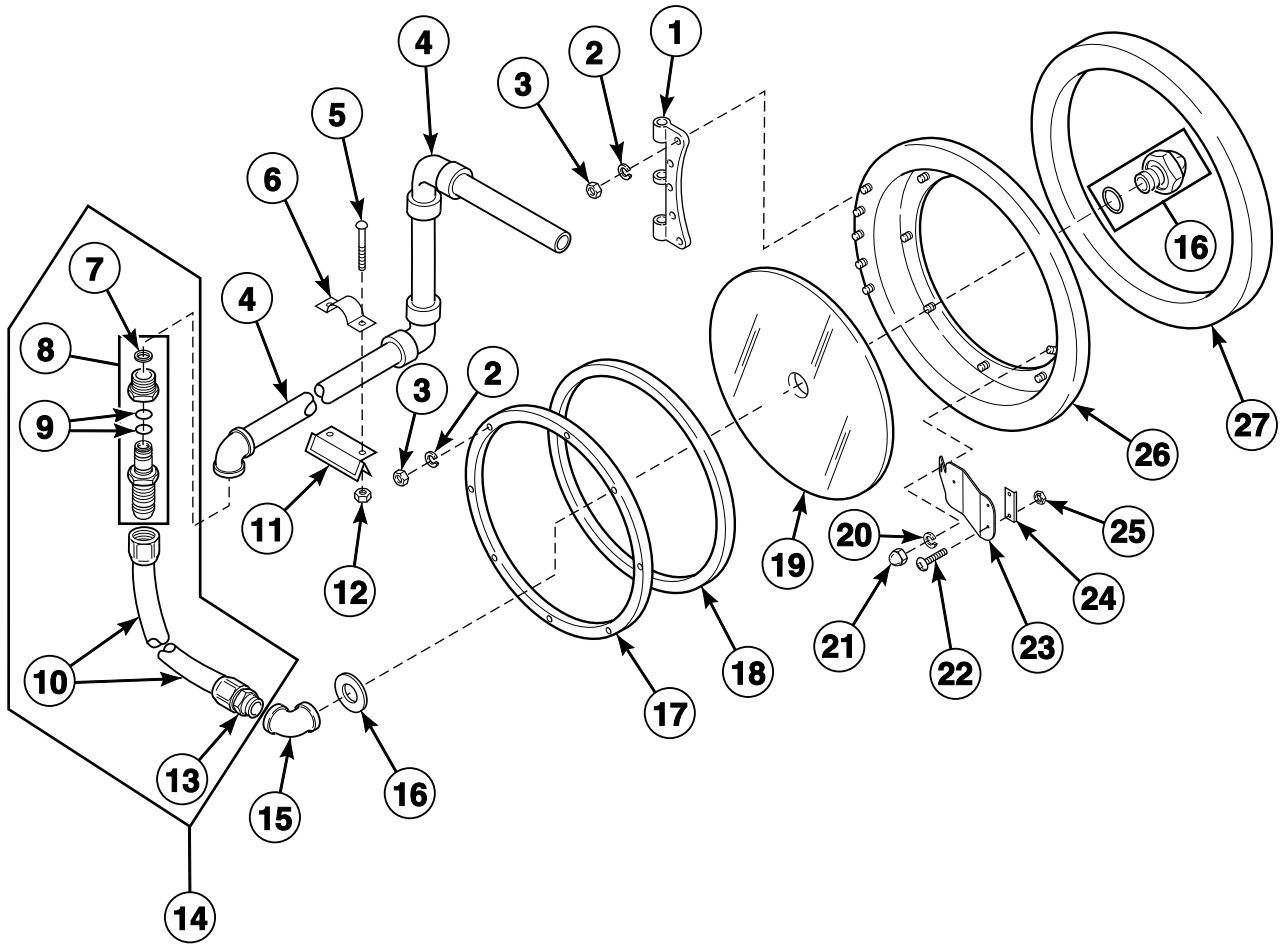


PHM2436P\_F8008201

## Door Assembly - 2 Door Box (Drawing 2 of 2)

REF	PART NO.	DESCRIPTION	COMMENTS
1	201415	Screw	
2	F601129	Door Box Mounting Bracket	
3	F150203	Door Handle Casting	
4	F431026	Nut	
5	F150201P	Top Latch Bracket Casting	
6	F602058	Door Latch Bracket Shim	
7	F430168	Screw	
8	F431118	Washer	
9	F431100	Washer	
10	F150202	Lower Door Latch Bracket Casting	
11	F601707	Door Box	Right
12	F608803	Door Lock Pivot Plate	
13	F430205	Nut	
14	F150204	Lower Door Latch Casting	
15	F610220	Door Extension Arm	Lower; Short
16	F430927	Screw	
17	F610221	Door Extension Arm	Upper; Long
18	F431005	Nut	
19	F430103	Screw	
20	F150366	Door Bumper Moulding	
21	F430416	Door Bumper Bushing	
22	F603105	Door Cam Adjusting Rod	
23	F150228	Door Hinge	
24	F604730	Nut	
25	F601706	Door Box	Left
26	F310215	Retaining Ring	
27	F601948	Door Butt Shim	
28	F432307	Door Hinge Pin	
29	F430215	Nut	
30	F430317	Washer	

# Door Assembly - 1 Door Box (Drawing 1 of 2)

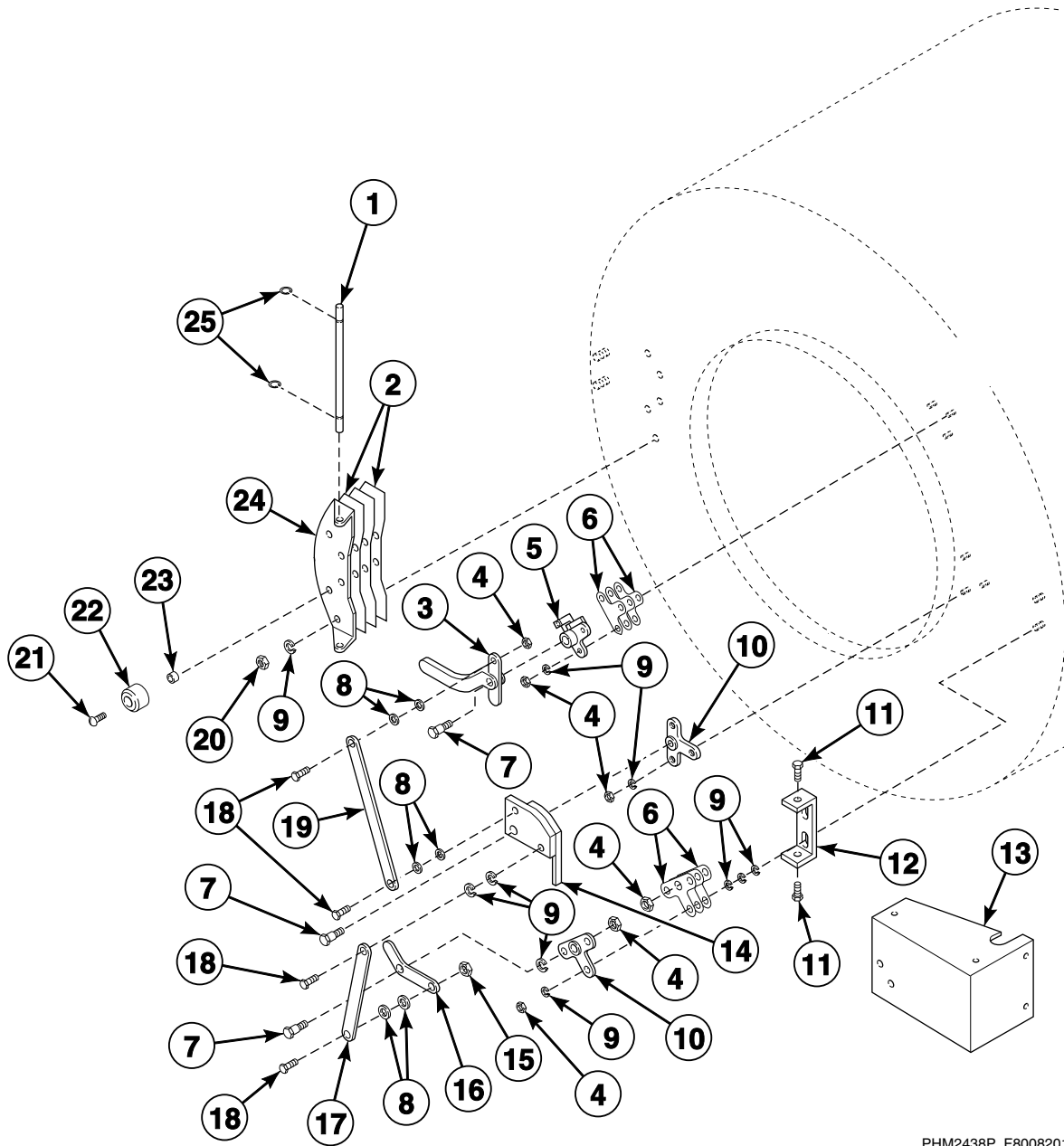


PHM2437P\_F8008201

## Door Assembly - 1 Door Box (Drawing 1 of 2)

REF	PART NO.	DESCRIPTION	COMMENTS
1	F150233	Door Butt	
2	F431100	Washer	
3	F431026	Nut	
4	F610363	Spray Rinse Tube Assembly	
5	F430917	Screw	
6	F602880	Spray Rinse Strap	
7	F310206	Ring Retainer	
8	F422108	Swivel Coupling	
9	F170200	O-Ring	
10	F610068	Hose	
11	F602901P	Spray Rinse Bracket Assembly	Includes items 5 and 12
12	F431022	Nut	
13	F422109	No-Swivel Coupling	
14	F730023	Spray Rinse Hose Kit	Includes items 7-10 and 13
15	F422319	Elbow	
16	F730077	Spray Rinse Nozzle Kit	
17	F320102	Door Retainer Spinning	
18	F170115	Door Glass Gasket	
19	F290204P	Door Glass Kit	
20	F431100	Washer	
21	F431026	Nut	
22	F430916	Screw	
23	F634416	Door Handle	
24	F8390801	Magnet	
25	F430231	Nut	
26	F634678	Studded Door Assembly	
27	F8434801	Door Gasket	

# Door Assembly - 1 Door Box (Drawing 2 of 2)



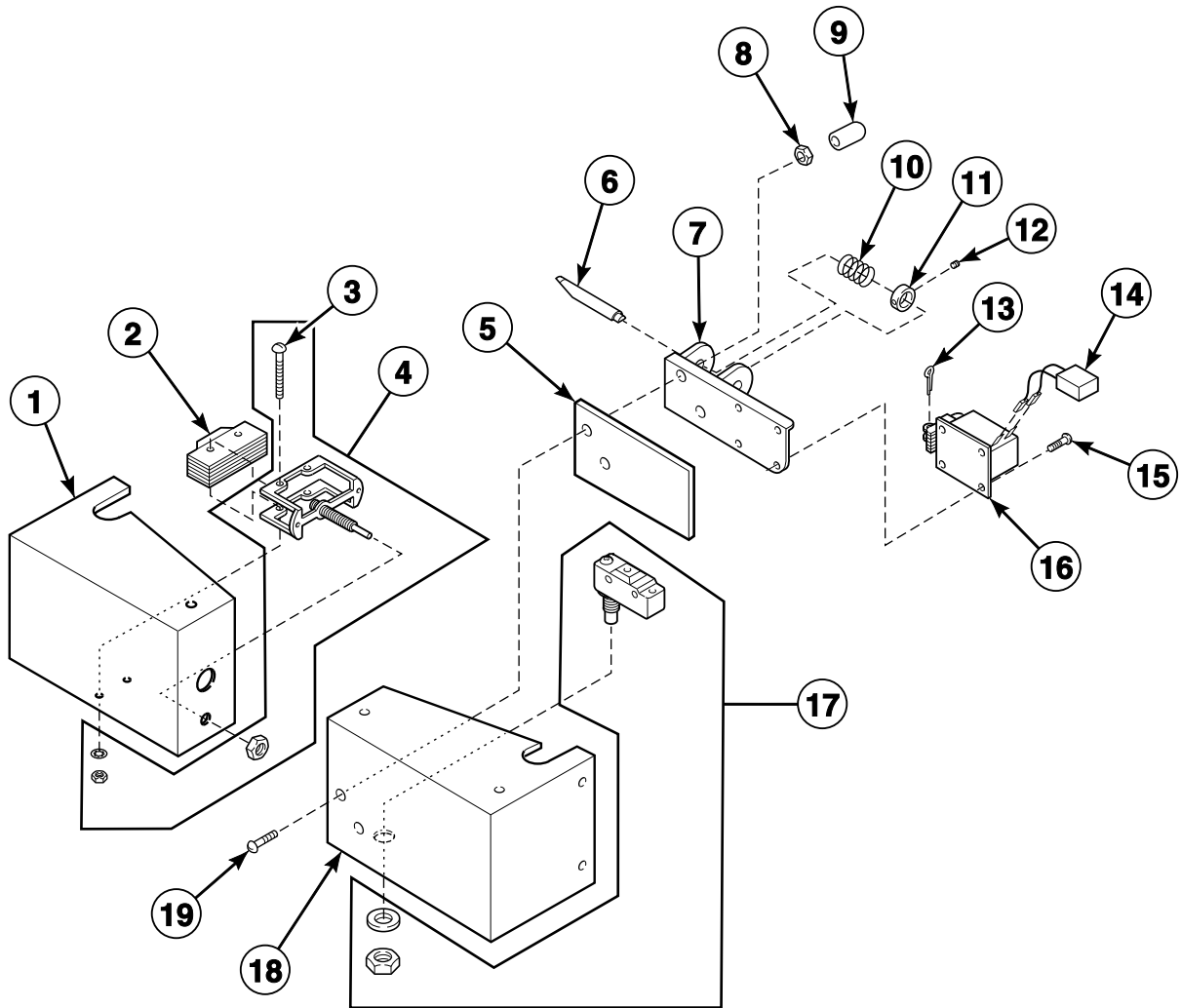
PHM2438P\_F8008201



## Door Assembly - 1 Door Box (Drawing 2 of 2)

REF	PART NO.	DESCRIPTION	COMMENTS
1	F432307	Door Hinge Pin	
2	F601948	Door Butt Shim	
3	F150203	Door Handle Casting	
4	F431118	Washer	
5	F150201P	Top Latch Bracket Casting	
6	F602058	Door Latch Bracket Shim	
7	F430168	Screw	
8	F431026	Nut	
9	F431100	Washer	
10	F150202	Lower Door Latch Bracket Casting	
11	201415	Screw	
12	F601129	Door Box Mounting Bracket	
13	F634822	Door Box Assembly	Right
14	F608803	Door Lock Pivot Plate	
15	F430205	Nut	
16	F150204	Lower Door Latch Casting	
17	F610220	Door Extension Arm	Lower; Short
18	F430927	Screw	
19	F610221	Door Extension Arm	Upper; Long
20	F431005	Nut	
21	F430103	Screw	
22	F150366	Door Bumper Moulding	
23	F430416	Door Bumper Bushing	
24	F150228	Door Hinge	
25	F310215	Retaining Ring	

# 2 Door Box Assembly - Solenoid without Plunger Style

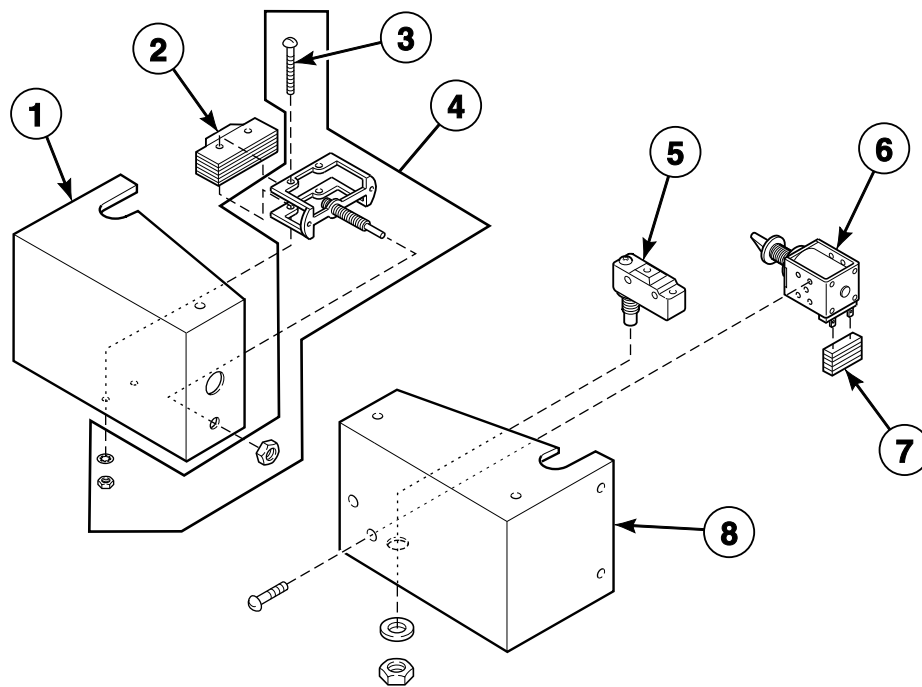


PHM2096P\_F8008201

## 2 Door Box Assembly - Solenoid without Plunger Style

REF	PART NO.	DESCRIPTION	COMMENTS
1	F601706	Door Box	Left
2	F340901	Switch	
3	F430995	Screw	
4	F340913	Switch Extension	Includes item 3, nuts and washer
5	F170135	Door Lock Gasket	
6	F601081	Door Lock Plunger	
7	F150200	Bracket Casting	
8	F430211	Nut	
9	F190300	Cap	
10	F310119	Door Lock Solenoid Spring	
11	F150288	Door Lock Collar	
12	F430502	Screw	
13	F431201	Cotter Pin	
14	F330217P	RC Network Filter	Includes F140627 Connector and F141022 Connector
15	F430917	Screw	
16	F300101P	Door Solenoid	120 Volt
17	F340900	Interlock Switch	Includes washer and nut
18	F601707	Door Box	Right
19	F430925	Screw	

## 2 Door Box Assembly - Solenoid with Plunger Style

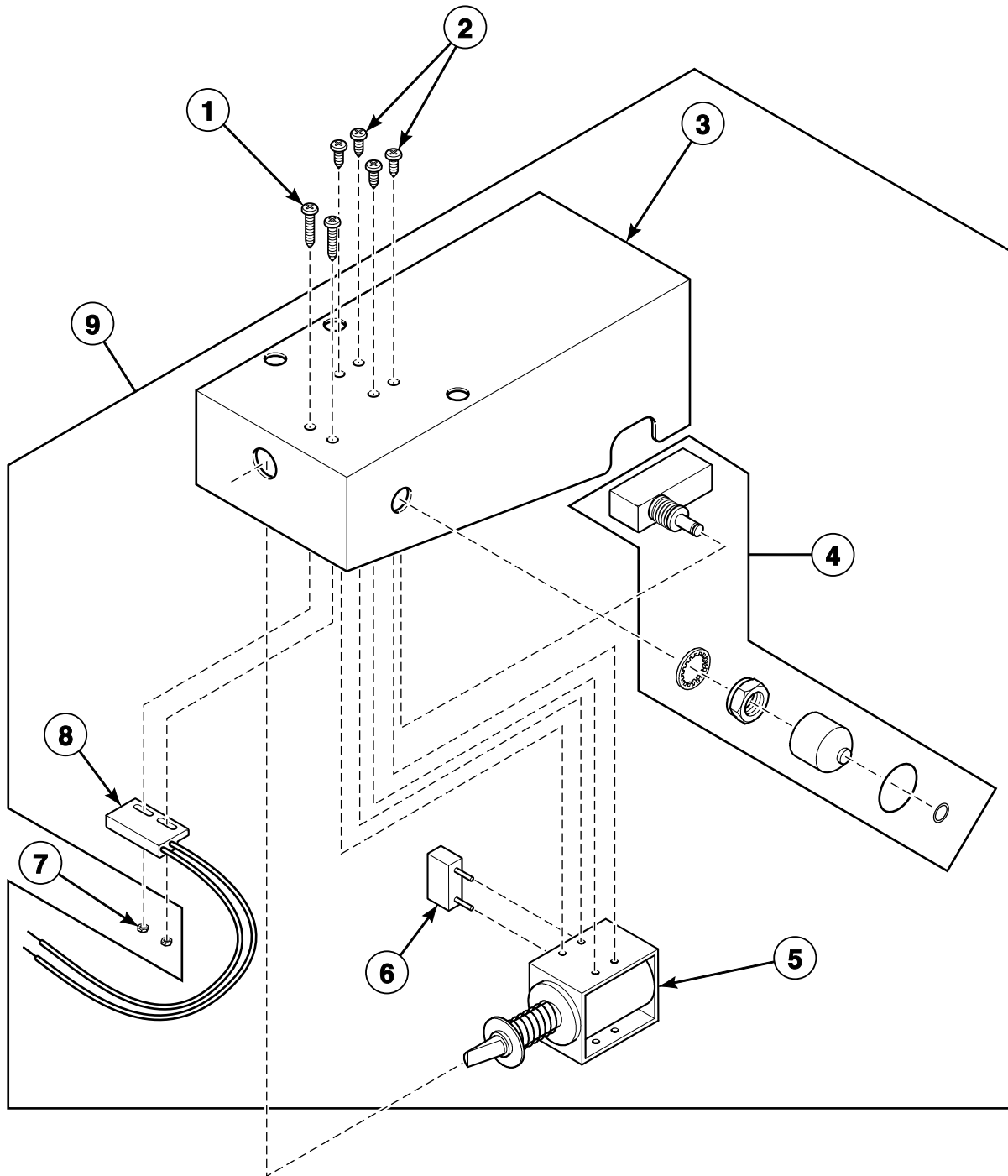


PHM2097P\_F8008201

## 2 Door Box Assembly - Solenoid with Plunger Style

REF	PART NO.	DESCRIPTION	COMMENTS
1	F601706	Door Box	Left
2	F340901	Switch	
3	F430995	Screw	
4	F340913	Switch Extension	Includes item 3, washer and nuts
5	F340900	Interlock Switch	Includes washer and nut
6	F300118P	Door Lock Solenoid	120 Volt; Includes screw
7	F330217P	RC Network Filter	Includes F140627 Connector and F141022 Connector
8	F601707	Door Box	Right

# 1 Door Box Assembly

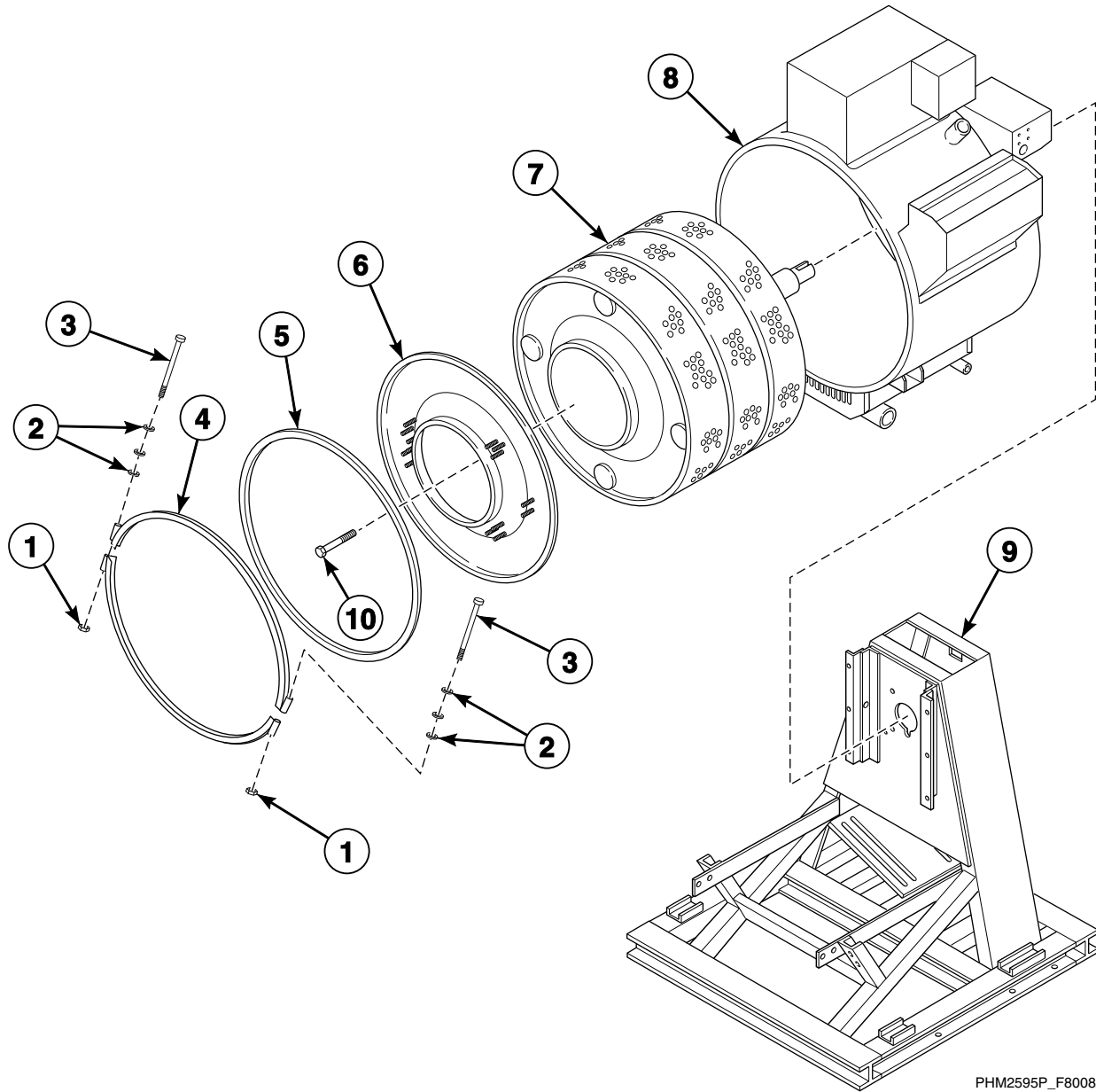


PHM2238P\_F8008201

# 1 Door Box Assembly

REF	PART NO.	DESCRIPTION	COMMENTS
1	F430928	Screw	
2	F430995	Screw	
3	F634415	Door Box	
4	F340906	Microswitch	
5	F300118P	Door Lock Solenoid	120 Volt
	F300129P	Door Lock Solenoid	220 Volt
6	F330217P	RC Network Filter	Includes F140627 Connector and F141022 Connector
7	F430231	Nut	
8	F200321200	Magnetic Switch Assembly	
9	F634822	Door Box Assembly	Includes items 3-6 and 8; 120 Volt
	F634822-1	Door Box Assembly	Includes items 3-6 and 8; 220 Volt

# Basket, Shell and Frame



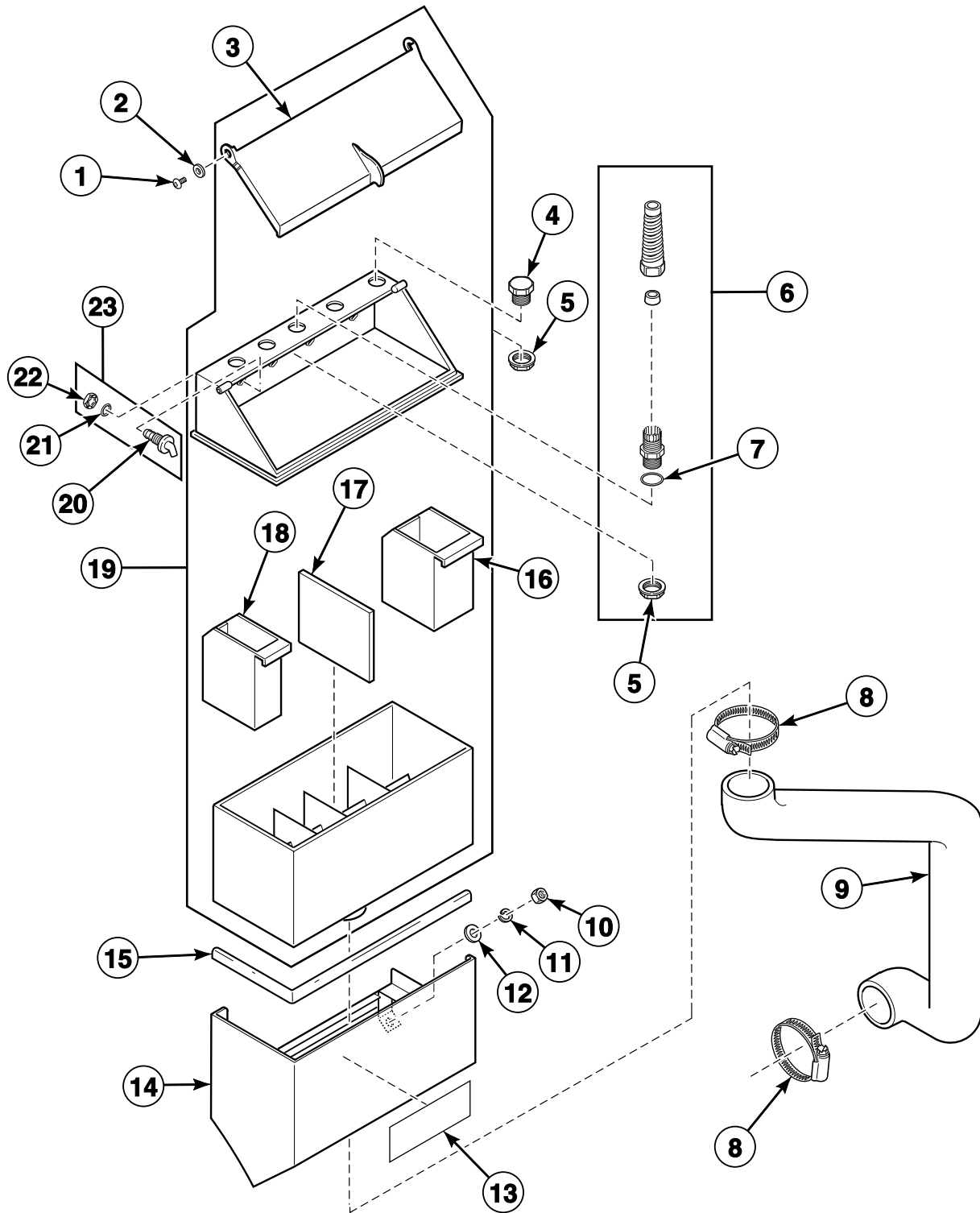
PHM2595P\_F8008201



## Basket, Shell and Frame

REF	PART NO.	DESCRIPTION	COMMENTS
1	F430211	Nut	
2	F430317	Washer	
3	F430500	Screw	
4	F603630	Shell Band Assembly	2 required
5	F170120RP	Shell Band Gasket	
6	F8136001P	Shell Front Weldment	
	F634691	Shell Front Assembly	Includes F0602058-00 Door Latch Bracket Shim, F150201 Top Latch Bracket Casting, F150202 Lower Latch Bracket Casting, F150203 Door Handle Casting, F150204 Lower Door Latch Casting, F150233 Door Butt, F310215 Retaining Ring, F230218 Attempt No Entry Warning Plate, F430103 Screw, F430168 Screw, F430215 Nut, F430231 Nut, F430312 Washer, F430416 Door Bumper Bushing, F430916 Screw, F430927 Screw, F431026 Nut, F431043 Nut, F431100 Washer, F431118 Washer, F431125 Washer, F431210 Pop Rivet, F432307 Door Hinge Pin, F601639 Extension Arm Tab, F601948 Door Butt Shim, F634693 Door Box Plate Assembly, F150366 Door Bumper Moulding, F8022301 Extension Arm Weldment and F430103 Screw
7	F603686	Basket Assembly	
8	F741020-10	Pinch Drain Shell Kit	Includes item 5, F410102 Clear Sealant, F430212 Nut, F430321 Washer, F430924 Screw, F431116 Washer, F603685-11 Shell Assembly and F791001 Shell Fastener Kit
9	F601754	Frame Assembly	
10	F430992	Screw	

# New Style Supply Dispenser

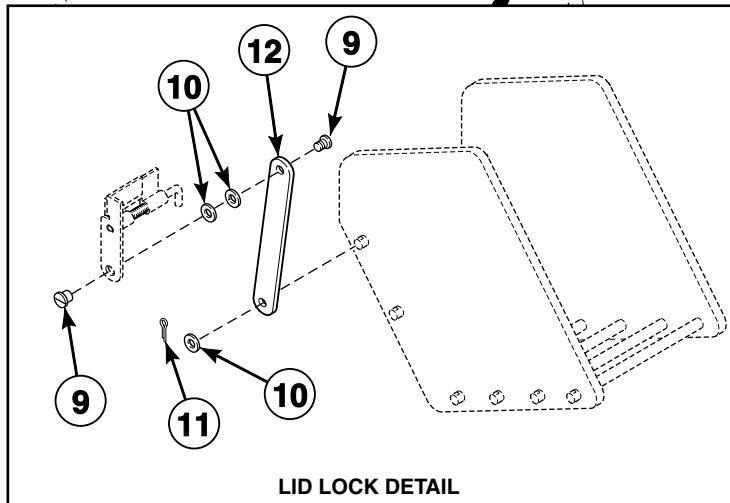
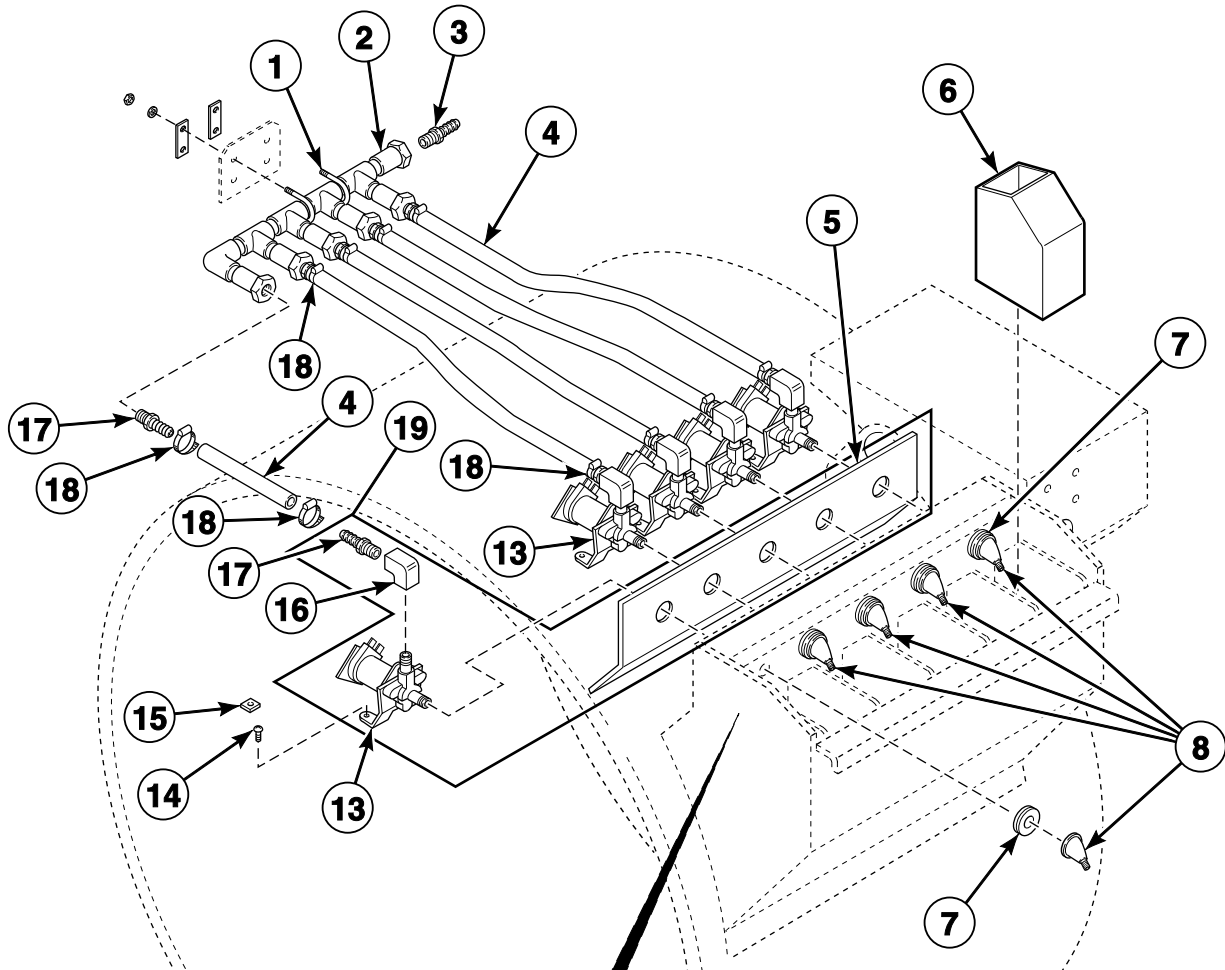


PHM2258P\_F8008201

## New Style Supply Dispenser

REF	PART NO.	DESCRIPTION	COMMENTS
1	F430917	Screw	
2	F431133	Washer	
3	F0150514-00	Dispenser Lid	
4	F190304	Plug Cap	
5	F140340P	Strain Relief Connector	Includes F0431160-00 Nut
6	F749802	Strain Relief Adapter Kit	Includes items 5 and 7
7	F170215	O-Ring	
8	F200213	Hose Clamp	No. 40
9	F150487	Chemical Supply Hose	
10	F431005	Nut	
11	F431100	Washer	
12	F431147	Washer	
13	F231436	Supply Dispenser Hazard Caution Decal	
14	F8024303	Dispenser Shroud Weldment	
15	F170400RP	Trim	
16	F150386	Chemical Supply Cup	32 ounce; 2 used
17	F0150525-00	Supply Dispenser Spacer	
18	F150385	Chemical Supply Cup	20 ounce; 3 used
19	F0150512-00P	Dispenser Assembly	Includes items 3 and 16-18
20	F8322001	Injection Nozzle	
21	F170208	O-Ring	
22	802292	Nut	
23	F730168	Injection Nozzle Kit	Includes items 20-22

# Old Style Supply Dispenser with Horton Valve



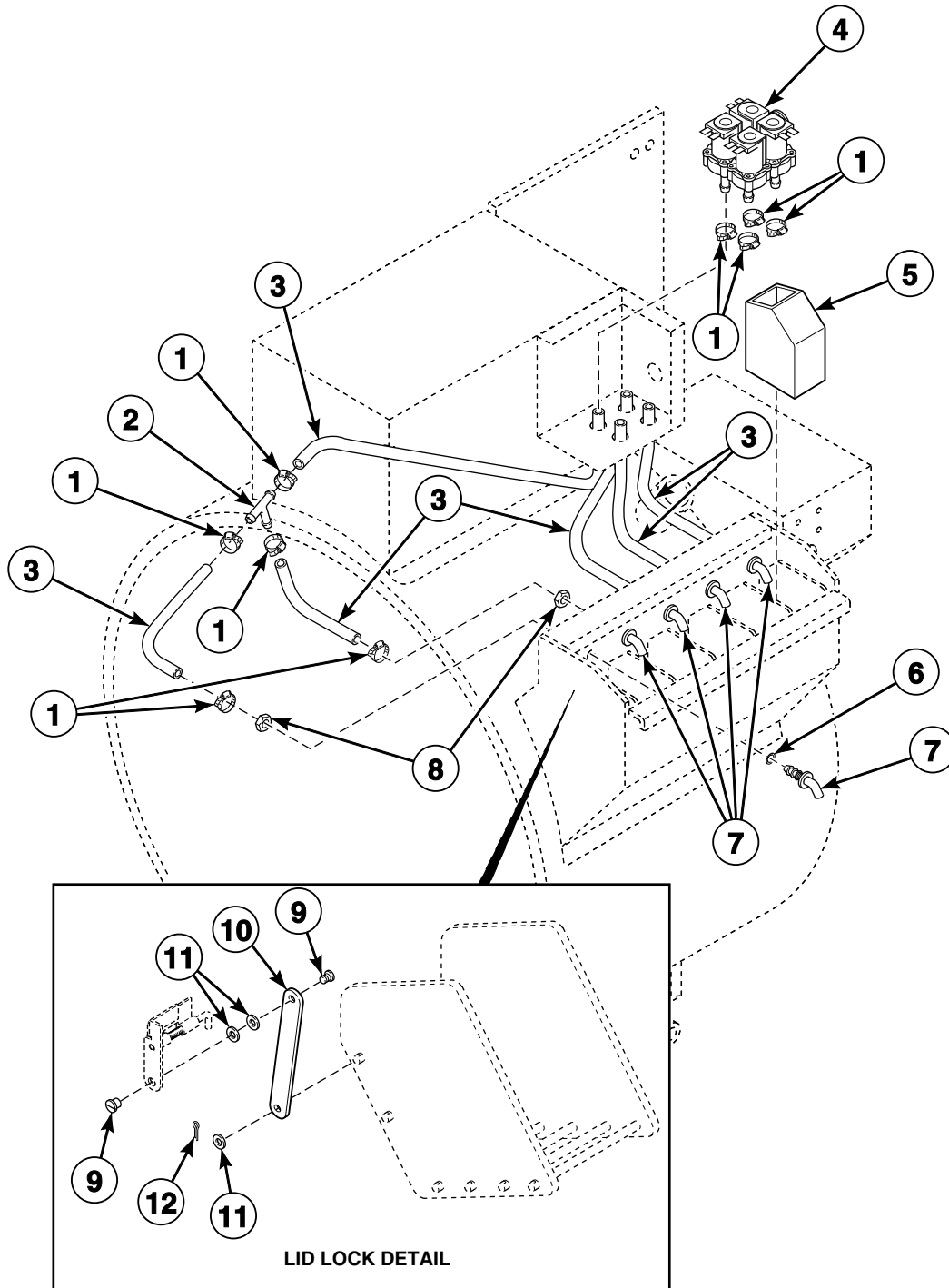
PHM2815P\_F8008201

## Old Style Supply Dispenser with Horton Valve

REF	PART NO.	DESCRIPTION	COMMENTS
1	F200401P	U-Bolt Clamp	Includes hardware
2	F603084	Soap Dispenser Manifold Assembly	
3	N/A	Hose Barb	
4	F200107P	Water Hose	
5	F601795	Soap Dispenser Shelf	
6	F603413	Soap Supply Cup	64 ounce
7	F140910	Insulator Bushing	
8	F422310	Street Elbow	
9	F730087	Post and Screw Kit	
10	F431123	Washer	
11	F431202	Cotter Pin	
12	F601792	Soap Dispenser Link Arm	
13	F380708P	Solenoid Valve	120 Volt
	F380709P	Solenoid Valve	240 Volt
14	F430956	Screw	
15	F430264	Nut	Tinnerman
16	J1188192	Pipe Elbow	
17	F421929	Hose Barb	
18	36801	Hose Clamp	No. 6
19	F604602P	Supply Valve Manifold Assembly	120 Volt; Includes items 5, 13, 16 and 17

**N/A = Part no longer available**

# Old Style Supply Dispenser with Mueller Valve



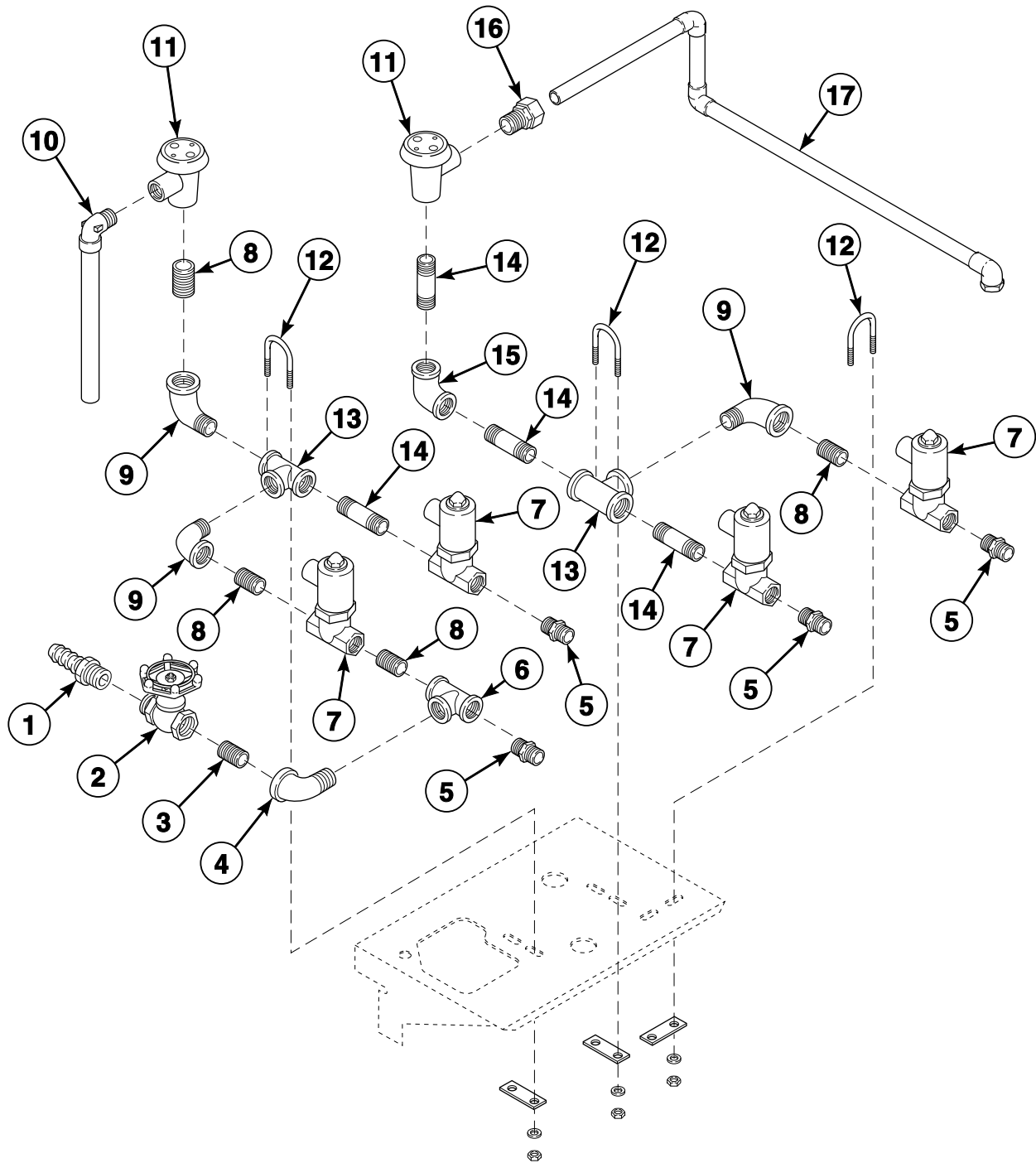
PHM2099P\_F8008201

## Old Style Supply Dispenser with Mueller Valve

REF	PART NO.	DESCRIPTION	COMMENTS
1	36801	Hose Clamp	No. 6
2	F422808	Y Connector	
3	F200107P	Water Hose	
4	F380715P	4-Way Valve	120 Volt
	N/A	Valve Repair Kit	
5	F603413	Soap Supply Cup	
6	F170208	O-Ring	
7	F730168	Injection Nozzle Kit	Includes items 6-8
	F8322001	Injection Nozzle	
8	802292	Nut	
9	F730087	Post and Screw Kit	
10	F601792	Soap Dispenser Link Arm	
11	F431123	Washer	
12	F431202	Cotter Pin	

**N/A = Part no longer available**

# Spray and Fill Plumbing Assembly with 3/4-Inch Hays Valves



P115P\_F8008201

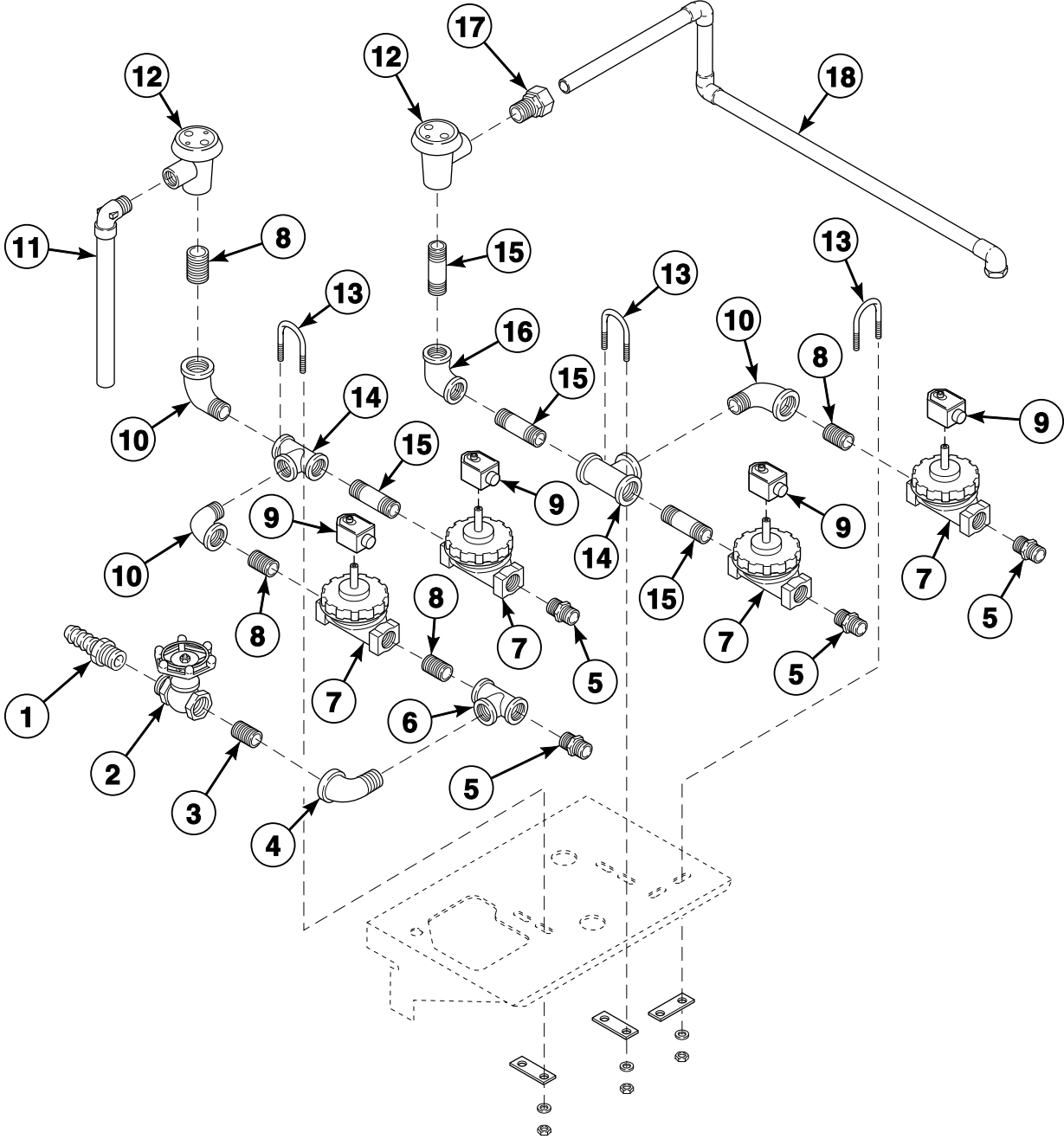


## Spray and Fill Plumbing Assembly with 3/4-Inch Hays Valves

REF	PART NO.	DESCRIPTION	COMMENTS
1	F421930	Hose Barb	
2	F380500	Gate Valve	
3	F420101	Nipple	
4	F420500	Street Elbow	
5	F421909	Hose Adapter	
6	F420402	Tee	
7	F380702P	Solenoid Valve	120 Volt
	F380703P	Valve	240 Volt
	F380915P	Repair Kit	
8	F420105	Nipple	
9	F420502	Street Elbow	
10	F610260	Top Fill Assembly	
11	F380800P	Vacuum Breaker Valve	3/4 inch
	F380965P	Repair Kit	3/4 inch
12	N/A	U-Bolt Clamp	Includes hardware
13	F420403	Tee	
14	F420107	Nipple	
15	F420503	Elbow	
16	F422106	Tube Connector	
17	F610363	Spray Rinse Tube Assembly	

**N/A = Part no longer available**

# Spray and Fill Plumbing Assembly with 3/4-Inch Parker Valves



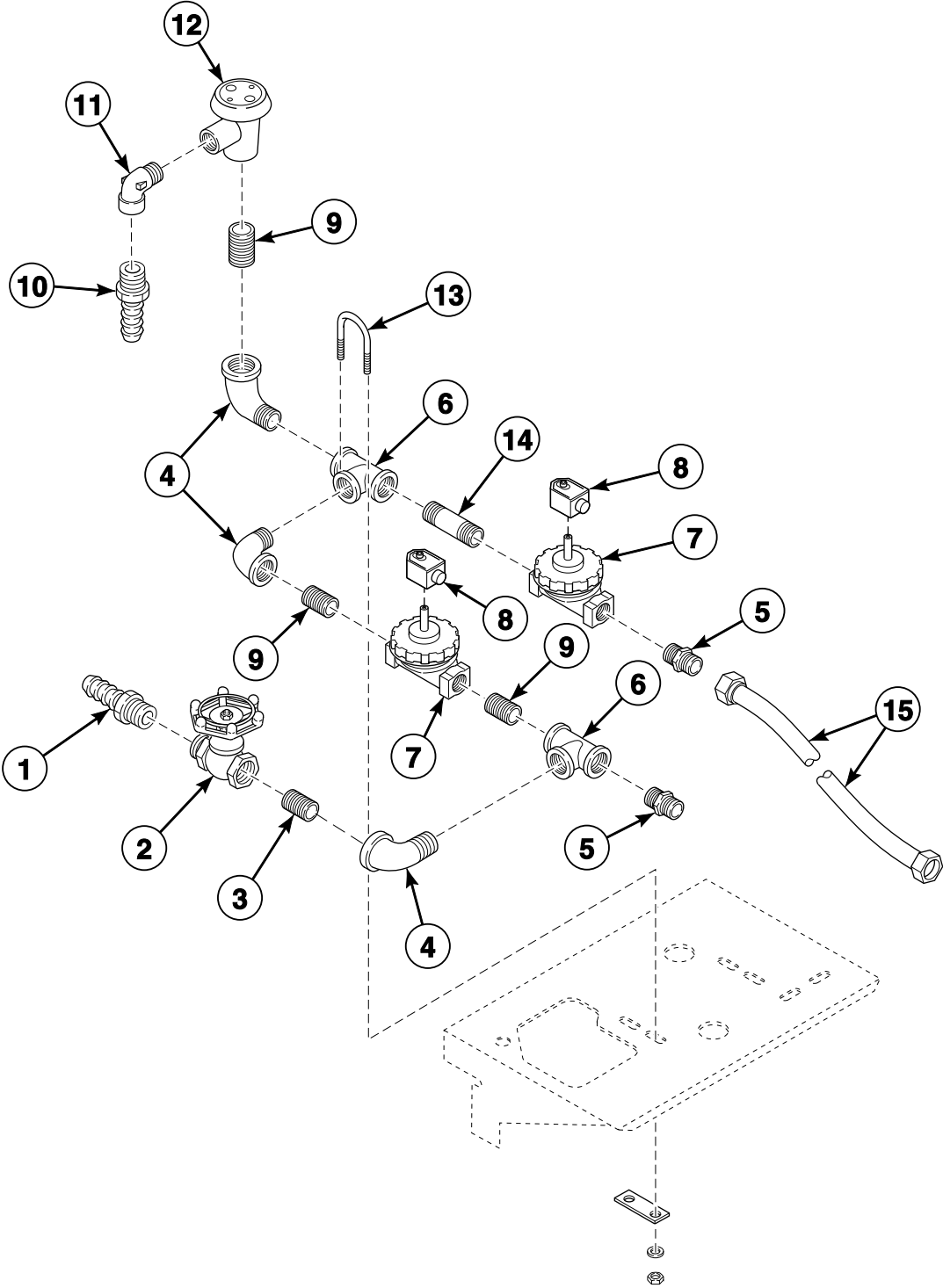
PHM1993P\_F8008201

# Spray and Fill Plumbing Assembly with 3/4-Inch Parker Valves

REF	PART NO.	DESCRIPTION	COMMENTS
1	F421930	Hose Barb	
2	F380500	Gate Valve	
3	F420101	Nipple	
4	F420500	Street Elbow	
5	F421909	Hose Adapter	
6	F420402	Tee	
7	F381700P	Valve	120 Volt; F380991P Water Valve Repair Kit
	F381701P	Valve	220 Volt; F380991P Water Valve Repair Kit
8	F420105	Nipple	
9	F380986P	DIN Coil	120 Volt; F141901 DIN Harness
	F380987P	DIN Coil	220 Volt; F141901 DIN Harness
10	F420502	Street Elbow	
11	F610260	Top Fill Assembly	
12	F380800P	Vacuum Breaker Valve	3/4 inch
	F380965P	Repair Kit	3/4 inch
13	N/A	U-Bolt Clamp	Includes hardware
14	F420403	Tee	
15	F420107	Nipple	
16	F420503	Elbow	
17	F422106	Tube Connector	
18	F610363	Spray Rinse Tube Assembly	

N/A = Part no longer available

# Spray and Fill Plumbing Assembly with 1-Inch Parker Valves



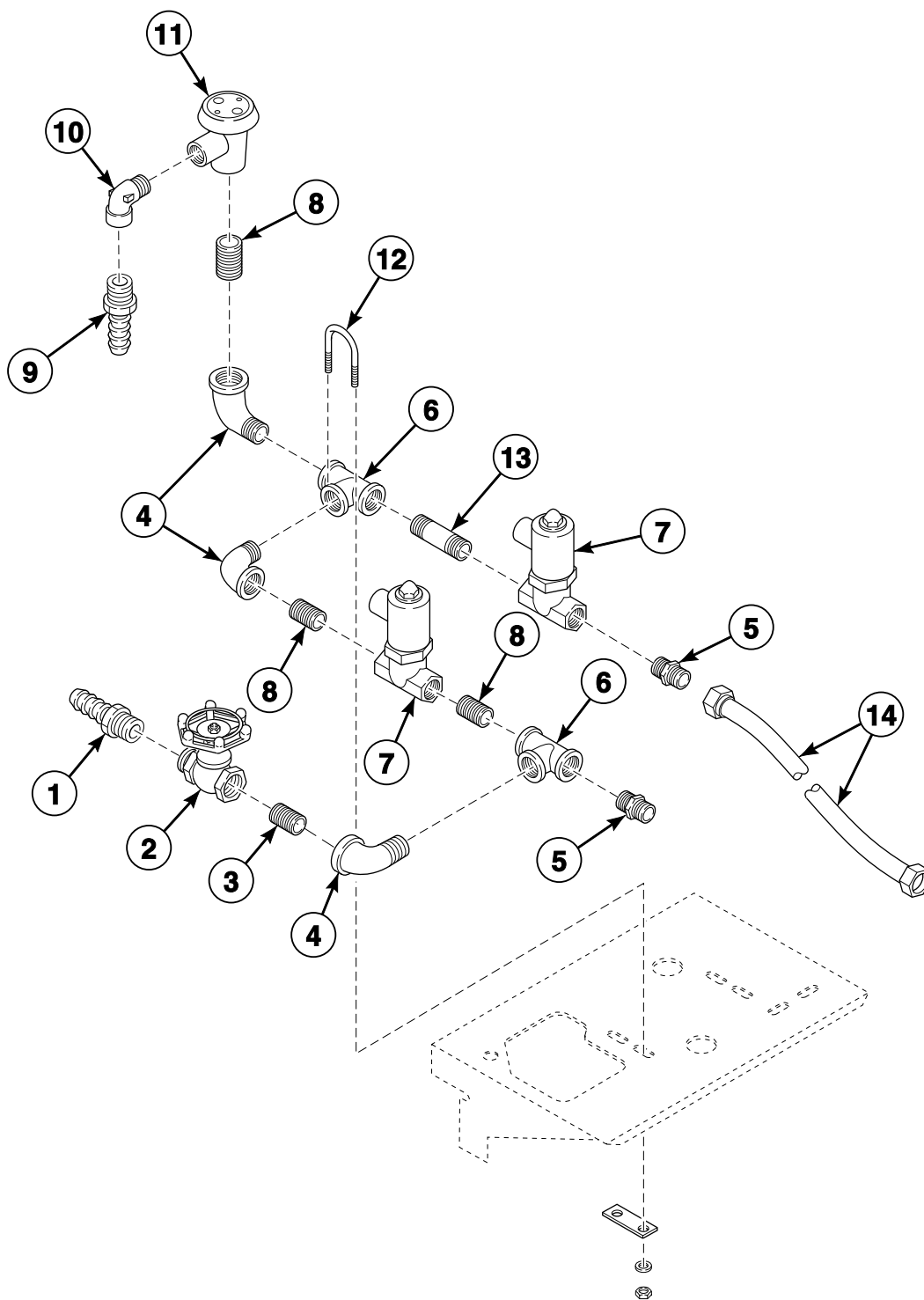
PHM1994P\_F8008201

## Spray and Fill Plumbing Assembly with 1-Inch Parker Valves

REF	PART NO.	DESCRIPTION	COMMENTS
1	F421930	Hose Barb	
2	F380500	Gate Valve	
3	F420101	Nipple	
4	F420500	Street Elbow	
5	F421948	Nipple	
6	F420410	Tee	
7	F381727P	Valve	120 Volt; 1 inch
	F381733P	Valve	220 Volt; 1 inch
	F0381007P	Water Valve Repair Kit	
8	F380986P	DIN Coil	120 Volt; F141901 DIN Harness
	F380987P	DIN Coil	220 Volt; F141901 DIN Harness
9	N/A	Nipple	
10	N/A	Hose Barb	
11	N/A	Elbow	
12	F380800P	Vacuum Breaker Valve	3/4 inch
	F380965P	Repair Kit	3/4 inch
13	N/A	U-Bolt Clamp	Includes hardware
14	F420138	Nipple	
15	F200187	Water Hose	
	F200504	Washer	

**N/A = Part no longer available**

# Spray and Fill Plumbing Assembly with 1 1/4-Inch Hays Valves



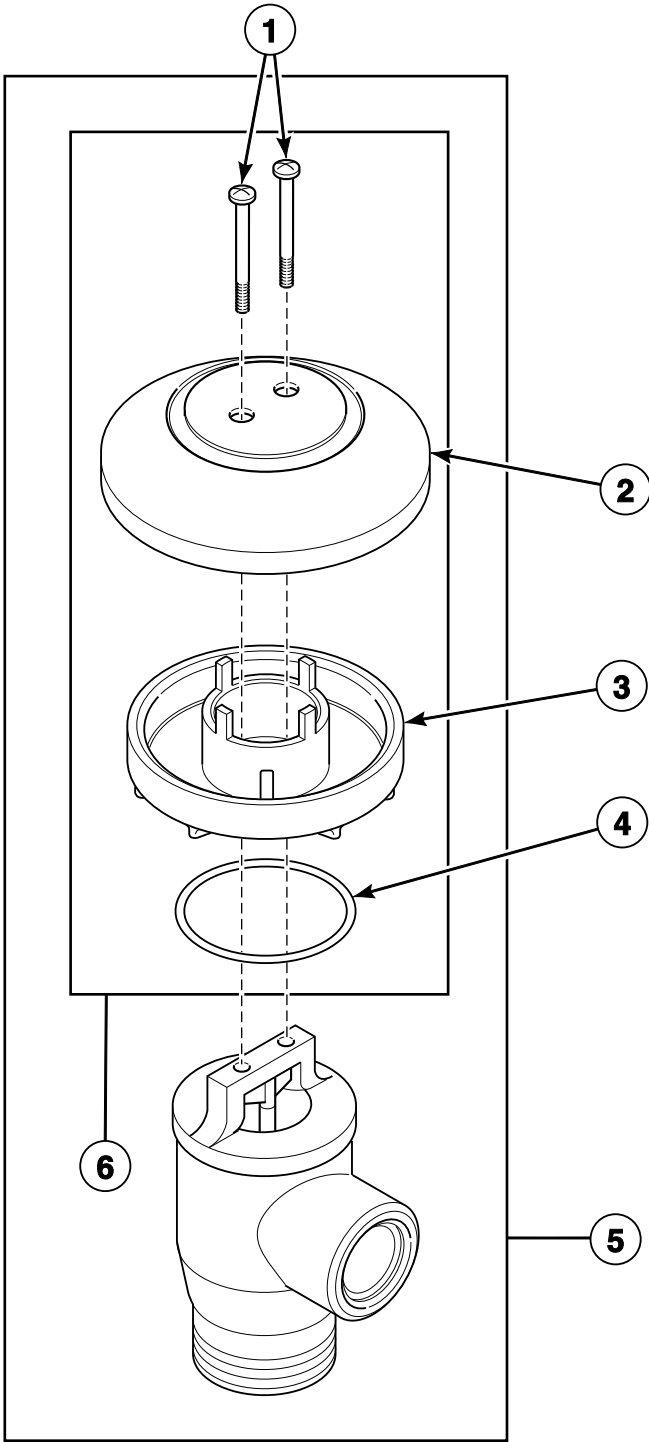
P119P\_F8008201

# Spray and Fill Plumbing Assembly with 1 1/4-Inch Hays Valves

REF	PART NO.	DESCRIPTION	COMMENTS
1	F421930	Hose Barb	
2	F380500	Gate Valve	
3	F420101	Nipple	
4	F420500	Street Elbow	
5	F421948	Nipple	
6	F420410	Tee	
7	F380724P	Solenoid Valve	120 Volt
	N/A	Fill Valve	220 Volt
	F380947P	Repair Kit	F380948 Piston is not included with the repair kit
8	N/A	Nipple	
9	N/A	Hose Barb	
10	N/A	Elbow	
11	F380802	Antisiphon Valve	1 1/4 inch
	F380966P	Repair Kit	1 1/4 inch
12	N/A	U-Bolt Clamp	Includes hardware
13	F420138	Nipple	
14	F200187	Water Hose	
	F200504	Washer	

**N/A = Part no longer available**

# Vacuum Breaker Assembly with Leak Containment Kit



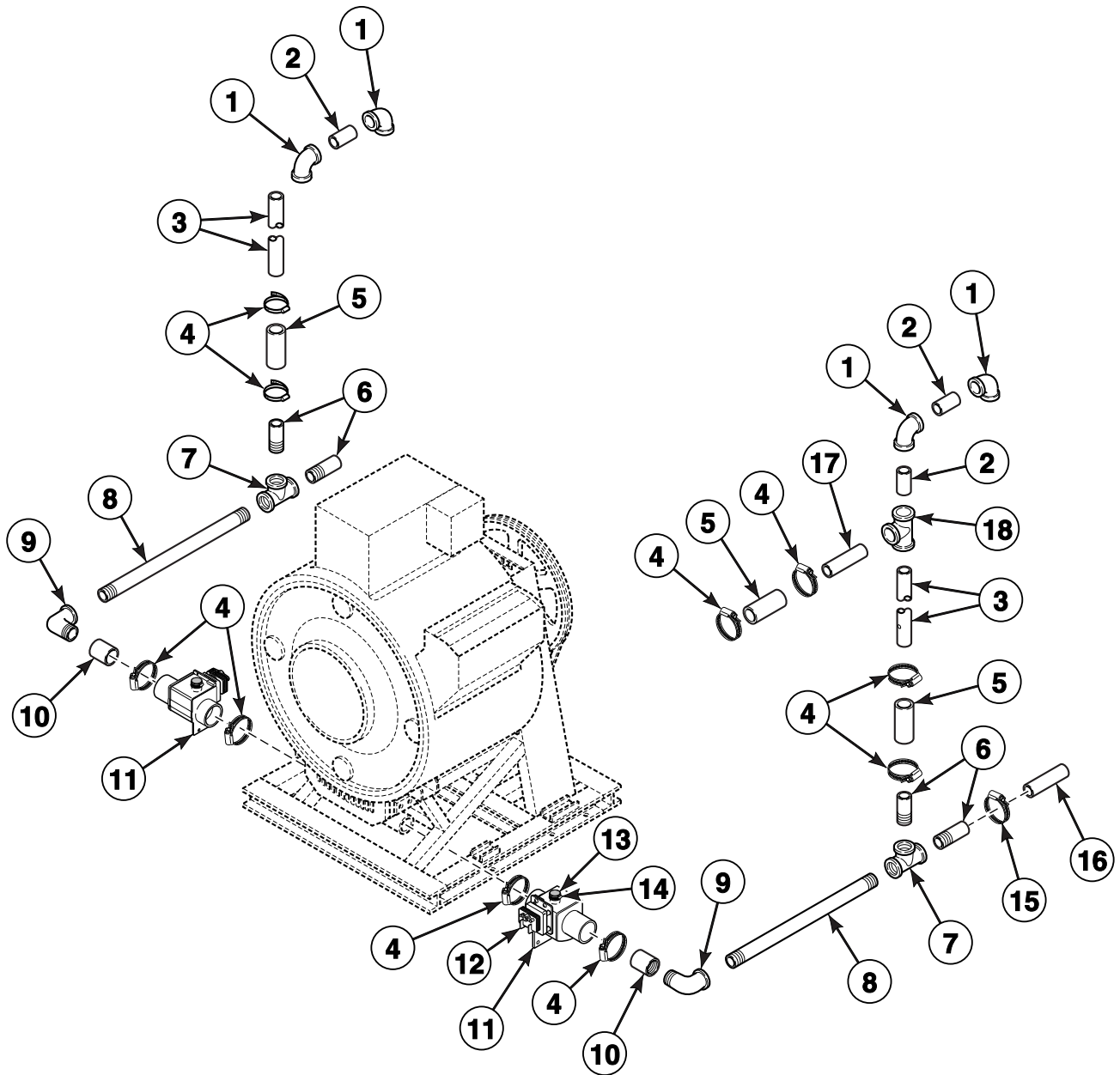
PHM2208P\_F8008201



# Vacuum Breaker Assembly with Leak Containment Kit

REF	PART NO.	DESCRIPTION	COMMENTS
1	F430938	Screw	
2	F0380808-00	Vacuum Breaker Cap	
3	F0380809-00	Containment Device	
4	F0170221-00	O-Ring	
5	F063754701P	Vacuum Breaker Valve	3/4 inch; F380965P Repair Kit; Includes items 1-4
6	F0798922-00	Vacuum Breaker Kit	Includes items 1-4

# Drain Valve and Plumbing



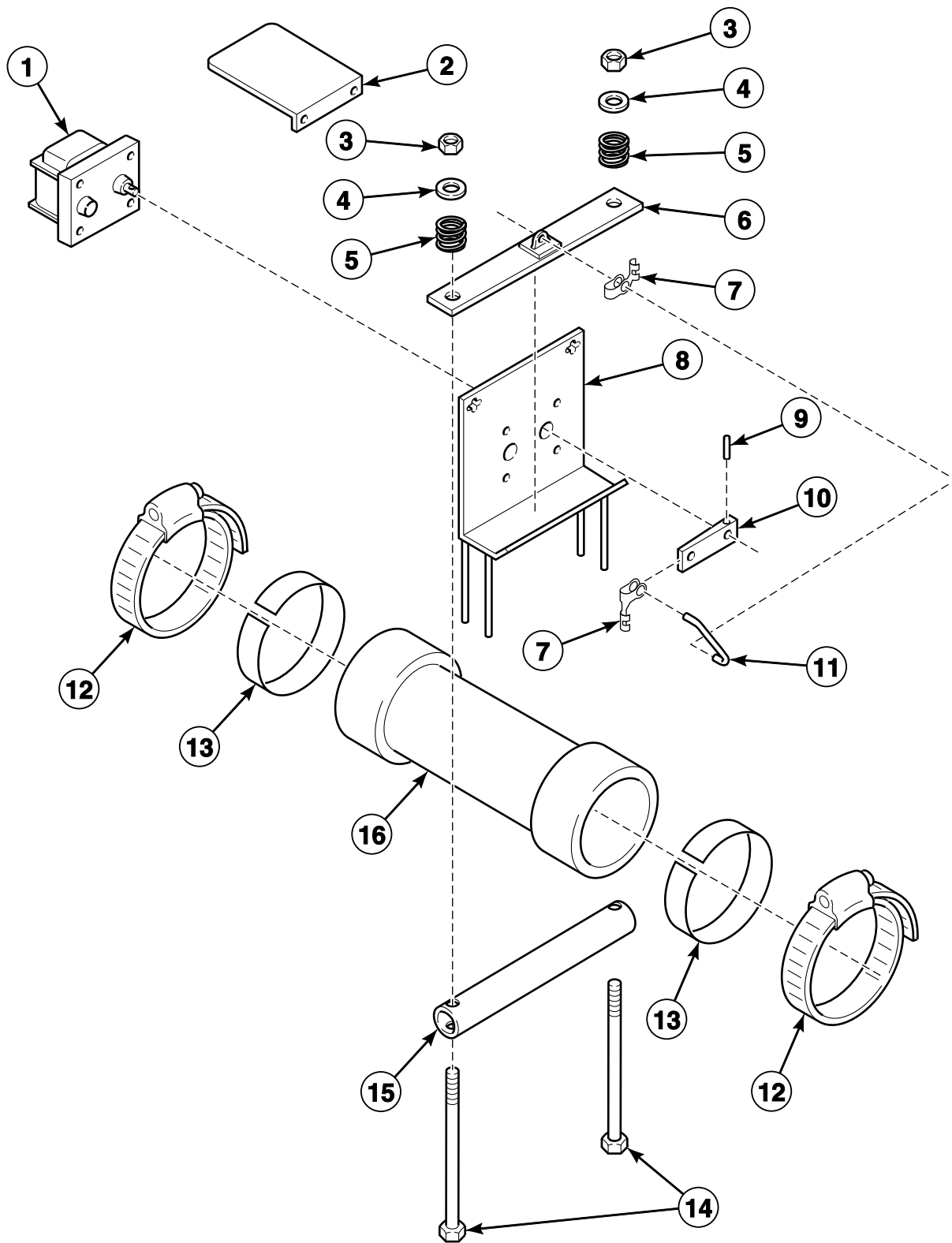
PHM2601P\_F8008201

## Drain Valve and Plumbing

REF	PART NO.	DESCRIPTION	COMMENTS
1	F422900	Elbow	
2	N/A	Pipe	
3	F0602364-29	Pipe	
4	F200213	Hose Clamp	No. 40
5	F200105	Hose	Order 3 feet
6	F420112	Nipple	
7	N/A	Tee	
8	F420115	Nipple	
9	N/A	Street Elbow	
10	F420301	Coupling	
11	F038062800	Drain Valve	120 Volt; With overflow
	F200166302	Drain Valve Kit	120 Volt; Without overflow
	F038062900	Drain Valve	220 Volt; With overflow
12	F380932P	Drain Valve Motor	120 Volt; Round shaft
	F380943P	Drain Motor	120 Volt; Keyed shaft
	F380933P	Drain Valve Motor	220 Volt; Round shaft
13	F150352	Overflow Plug	
14	F200215	Hose Clamp	No. 28
15	F200201	Hose Clamp	
16	F610376P	Drain Hose	
17	F610033	Pipe	
18	F422801	Tee	

**N/A = Part no longer available**

# Drain Valve



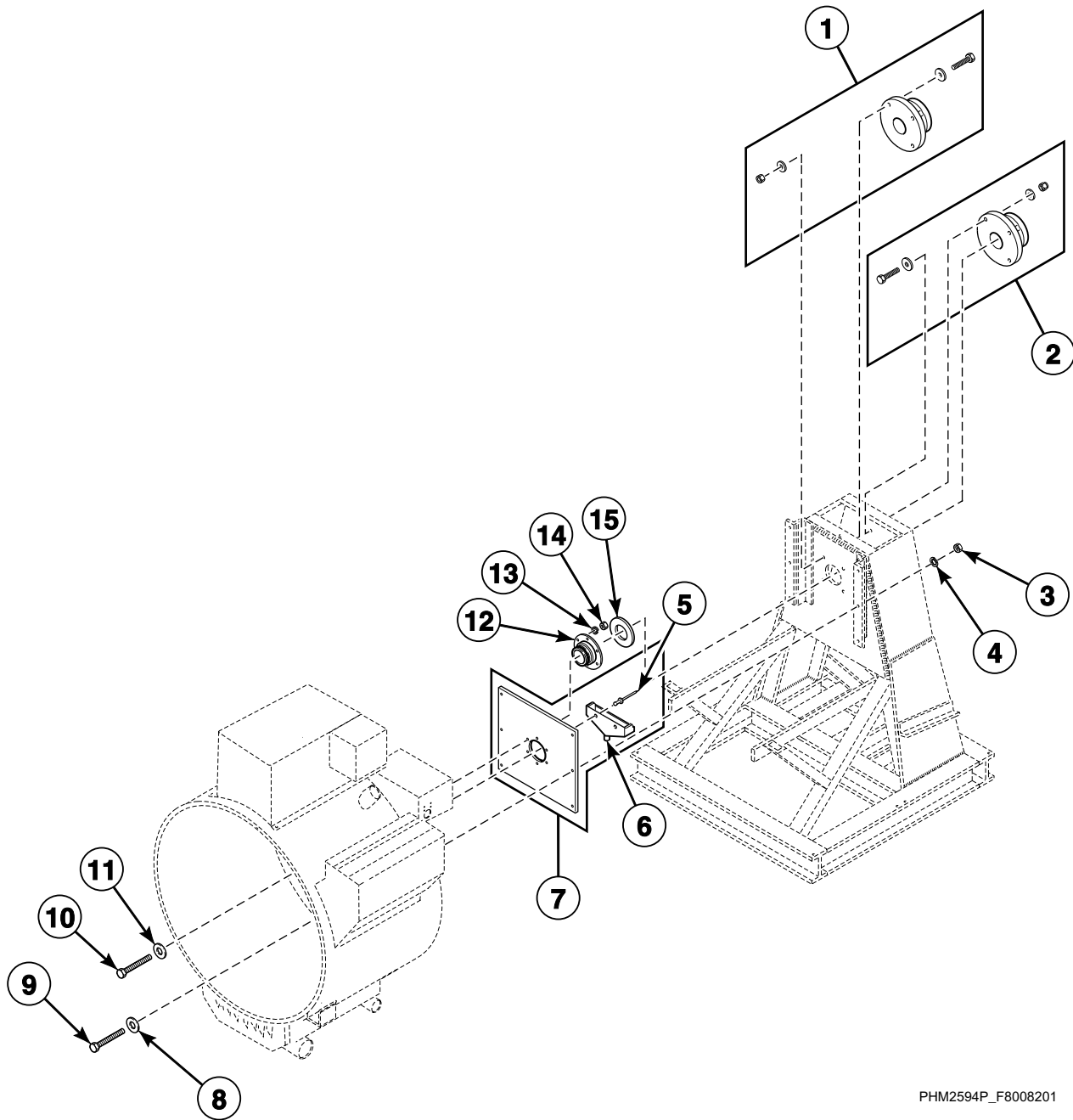
PHM2101P\_F8008201

# Drain Valve

REF	PART NO.	DESCRIPTION	COMMENTS
	F0798776-00	Drain Conversion Kit	120 Volt; Convert to ball drain valve; Includes overflow plug, rear drain hose, clamp (No. 56), clamp (No. 28), drain valve and installation instructions
	F0798775-00	Drain Conversion Kit	220 Volt; Convert to ball drain valve; Includes overflow plug, rear drain hose, clamp (No. 56), clamp (No. 28), drain valve and installation instructions
1	F380932P	Drain Valve Motor	120 Volt
	F380933P	Drain Valve Motor	220 Volt
2	F602372	Drain Valve Motor Cover	
3	F430215	Nut	
4	F430317	Washer	
5	F310101	Spring	
6	N/A	Drain Valve Lift Bar Assembly	Must install drain conversion kit
7	F431205	Rod End Clip	
8	F602101	Drain Lift Tube	
9	H88900683	Spring Pin	
10	F602222	Drain Valve Motor Arm	
11	F602274	Drain Valve Motor Linkage	
12	F200201	Hose Clamp	No. 56
13	F601244	Chafe Strip	
14	F430101	Screw	
15	F602101	Drain Lift Tube	
16	F200126	Hose	

**N/A = Part no longer available**

# Bearings

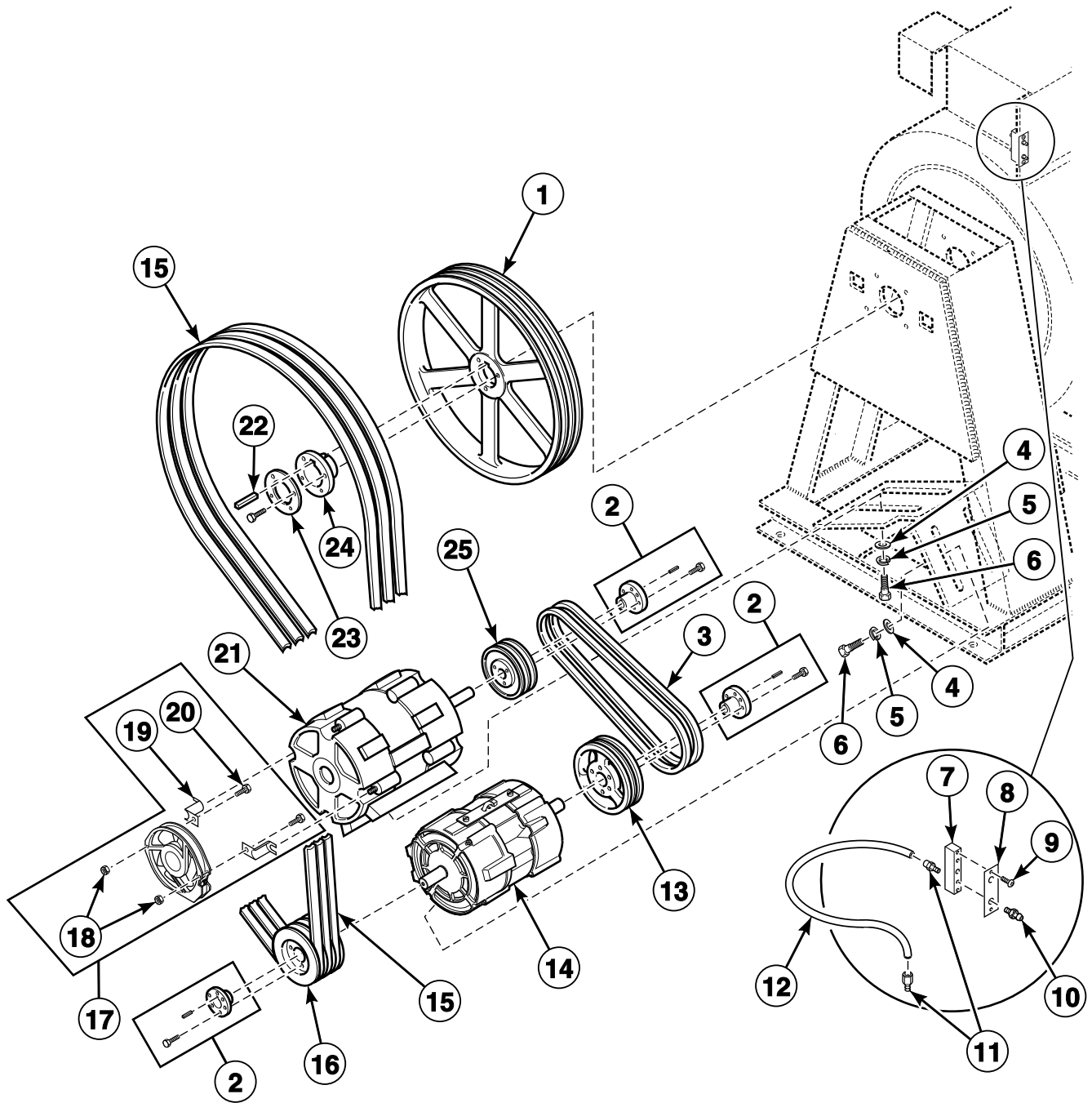


PHM2594P\_F8008201

# Bearings

REF	PART NO.	DESCRIPTION	COMMENTS
1	F798835-00	Front Bearing Kit	Includes items 12 and 15
2	F745004	Rear Bearing Kit	
3	70142	Nut	
4	M400013	Washer	
5	F431210	Pop Rivet	
6	F150389	Scupper	
7	F604051	Shell Plate Assembly	Includes items 5 and 6
8	F431112	Washer	
9	F430913	Screw	
10	F430141	Screw	
11	F430329	Washer	
12	F010030901P	Face Seal	
	F798833-00	Seal Kit	Includes items 14, 15, F170120RP Shell Band Gasket, F410102 Clear Sealant, F430317 Washer, F431112 Washer, F430500 Screw, F430935 Screw and F431210 Pop Rivet
13	F430322	Washer	
14	F430211	Nut	
15	F100205	Slinger	

# Motor, Pulley and Belt



PHM2596P\_F8008201

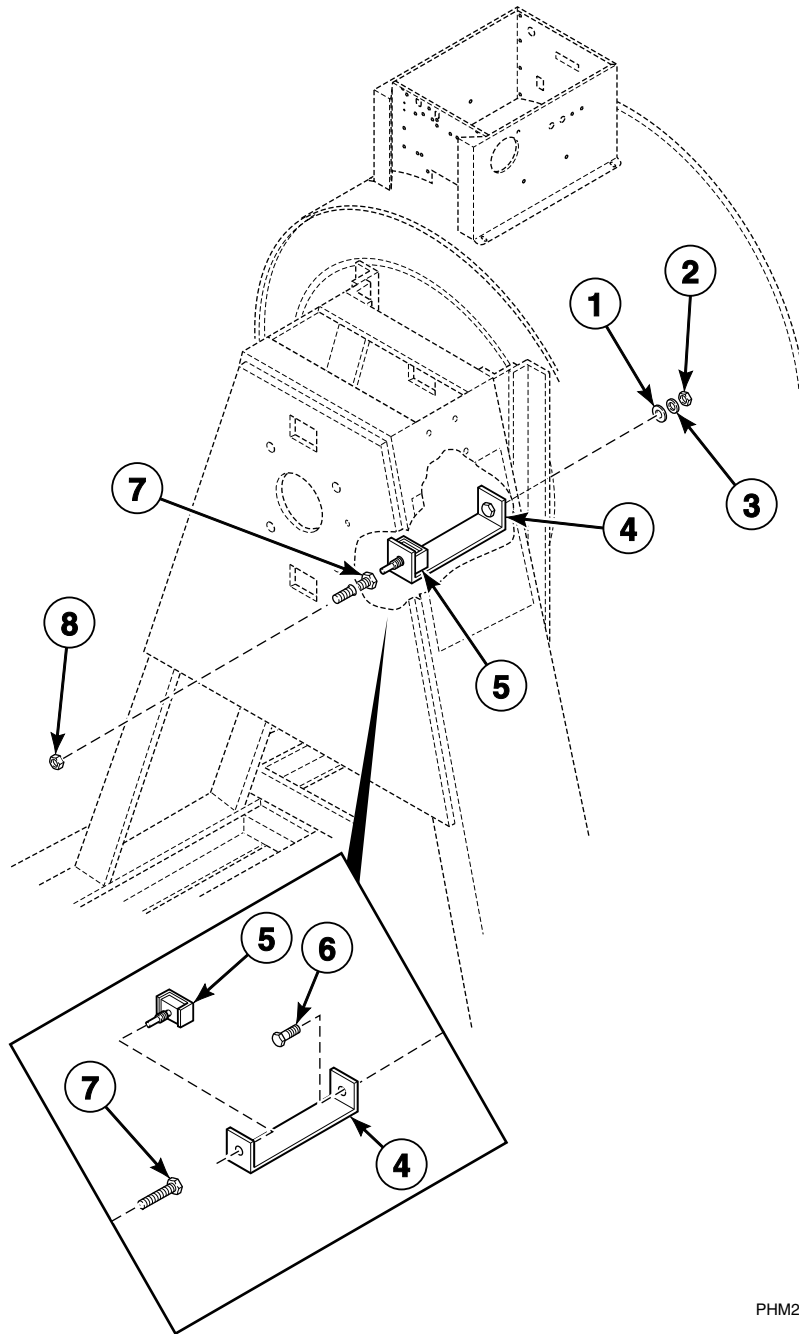


# Motor, Pulley and Belt

REF	PART NO.	DESCRIPTION	COMMENTS
1	F280131	Pulley	
2	F280212	Motor Pulley Bushing	Includes screws and key
3	F280338	Belt	
4	M400014	Washer	
5	M400081	Washer	
6	800461	Screw	
7	F320326	Grease Manifold	
8	F230745	Lubrication Instruction Decal	
9	F430916	Screw	
10	F190701	Grease Fitting	
11	J1408004	Connector	
12	C000628P	Tubing	
13	F280160	Motor Pulley	
14	N/A	Motor	200 Volt/50 Hertz; Extract; F220736 Motor Bearing
	F220314P	Motor	208-240 Volt/60 Hertz; Extract; F220736 Motor Bearing
	F220315P	Motor	380-415 Volt/50 Hertz; 440-480 Volt/60 Hertz; Extract; F220736 Motor Bearing
15	F200196400	Belt	
16	F280140	Motor Pulley	
17	F758501	Fan Kit	Includes items 18-20
18	F430231	Nut	
19	F602804	Fan Mounting Bracket	
20	F430922	Screw	
21	F220312P	Motor	208-240 Volt/60 Hertz; Wash; F100108 Motor Bearing
	F220313P	Motor	380-415 Volt/50 Hertz; 440-480 Volt/60 Hertz; Wash; F100108 Motor Bearing
22	F602257	Key	
23	F602415	Bushing Key Retainer	
24	F280217	Bushing	Includes screws
25	N/A	Pulley	

**N/A = Part no longer available**

# Balance Switch and Rotation Sensor

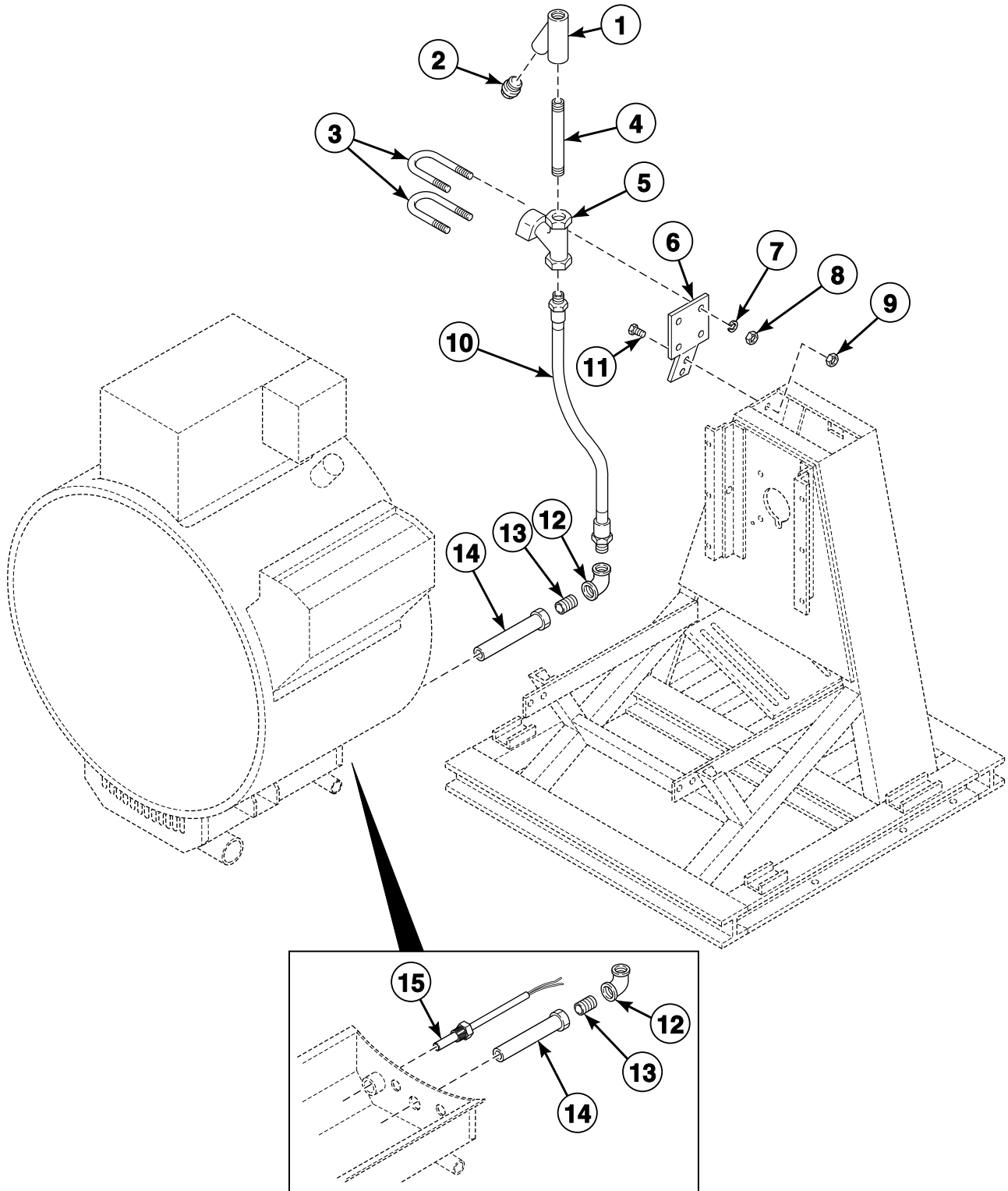


PHM2597P\_F8008201

## Balance Switch and Rotation Sensor

REF	PART NO.	DESCRIPTION	COMMENTS
1	M400081	Washer	
2	F430205	Nut	
3	M400014	Washer	
4	F601750	Balance Switch Bracket	
5	F340906	Microswitch	
6	800461	Screw	
7	F0430539-00	Bolt	
8	H88412101	Nut	

# Steam Heat Option

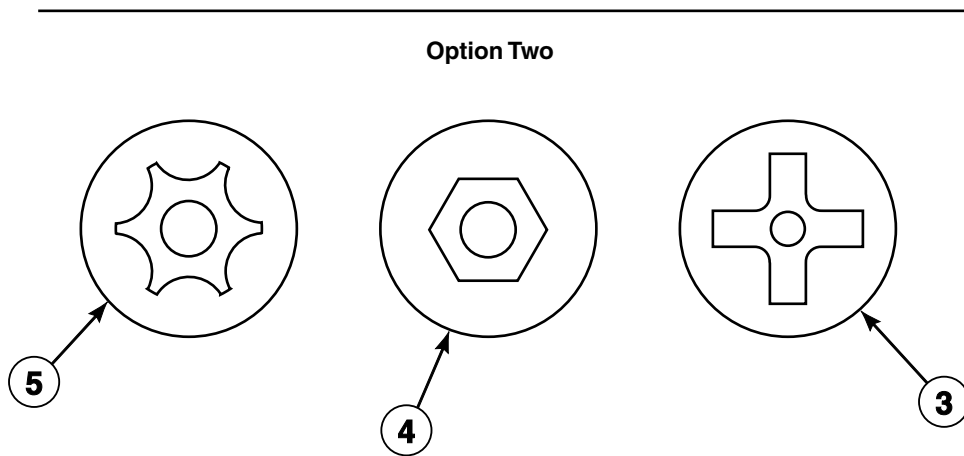
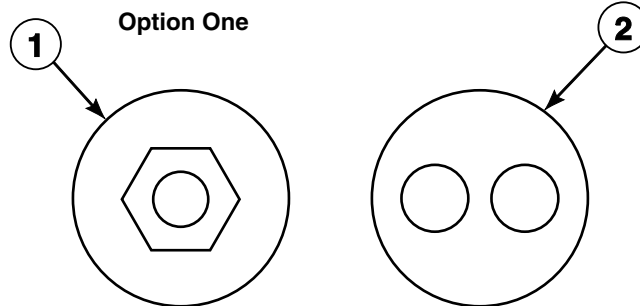


PHM2646P\_F8008201

## Steam Heat Option

REF	PART NO.	DESCRIPTION	COMMENTS
1	F270307	Steam Filter	1/2 inch
2	F420409	Plug	
3	F200401P	U-Bolt Clamp	Includes items 7 and 8
4	70214101	Pipe Nipple	
5	F380786P	Steam Valve	120 Volt
	F380986P	DIN Coil	120 Volt
	F380787P	Steam Valve	240 Volt
	F380987P	DIN Coil	240 Volt
	F380984P	Steam Valve Repair Kit	
6	F607268	Steam Valve Bracket	
7	F430322	Washer	
8	F430211	Nut	
9	F430215	Nut	
10	F200153P	Steam Hose	
11	F430913	Screw	
12	F420500	Street Elbow	
13	F421400	Bushing	
14	F603132	Steam Injector Tube Assembly	
15	F370606P	Temperature Probe	

# Security Fasteners



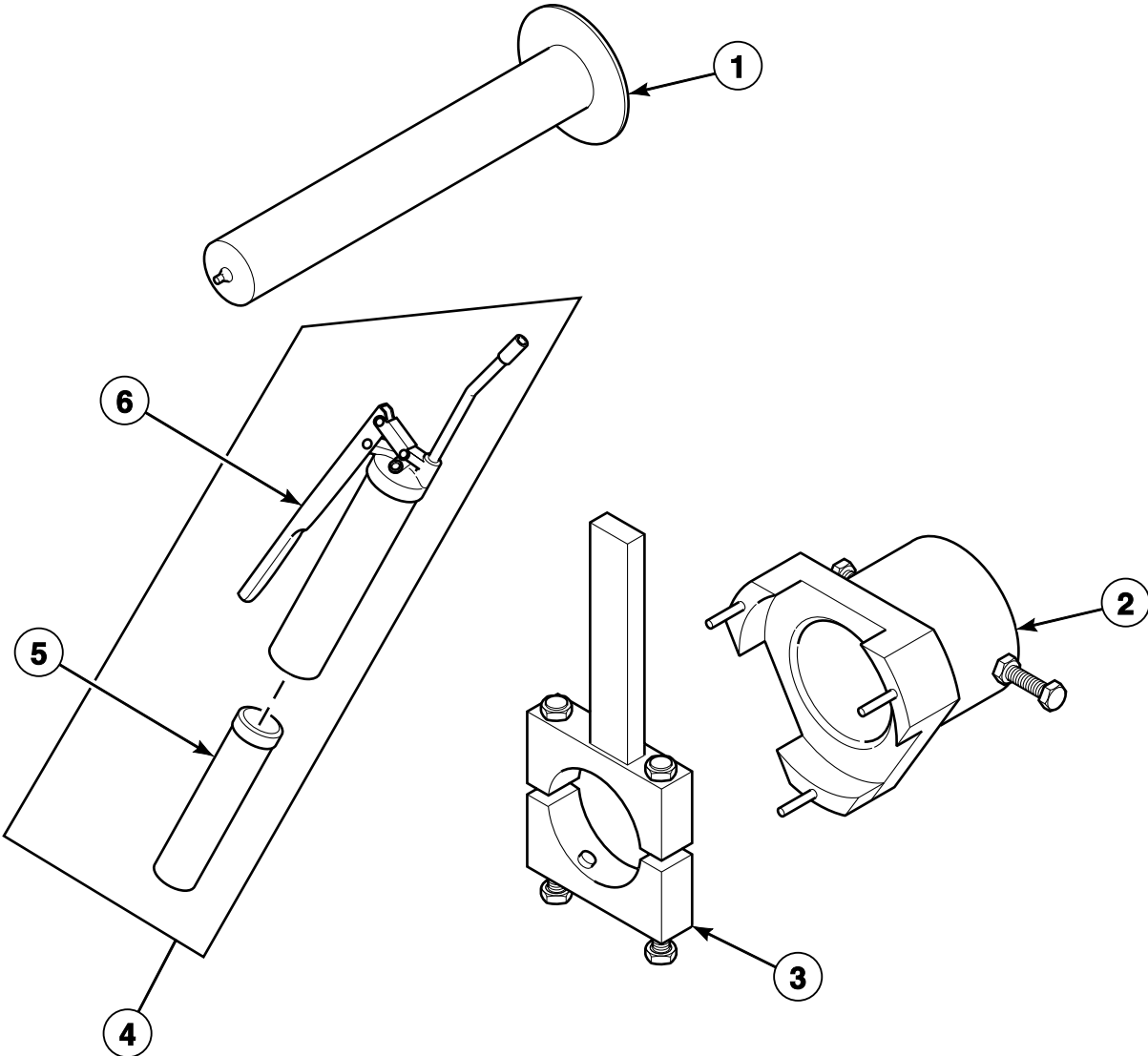
PHM2181P\_F8008201

# Security Fasteners

REF	PART NO.	DESCRIPTION	COMMENTS
1	F0430275-00	Screw	No. 8; 32 x 1/2 inch; Used in place of F430956 Screw; Typical location is the side panels and module cover
	F430960	Screw	No. 10; 32 x 3/8 inch; Used in place of F430904 Screw; Typical location is the module to the shell
	F704906	Hex Bit	
2	F0430273-00	Screw	1/4 inch; 20 x 2-1/2 inch; Used in place of F430996 Screw; Typical location is the door box to the bracket
	F0430272-00	Screw	1/4 inch; 20 x 1-1/2 inch; Used in place of F430921 Screw; Typical location is the side panel to the bracket
	F0430274-00	Screw	1/4 inch; 20 x 1/2 inch; Used in place of F430925 Screw; Typical location is the drive box or the cover
	F704907	Spanner Bit	
3	F432260	Screw	1/4 inch; 20 x 2-1/2 inch; Used in place of F430996 Screw; Typical location is the door box to the bracket
	F704904	Phillips Bit	
4	N/A	Screw	1/4 inch; 20 x 1/2 inch; Used in place of F430925 Screw; Typical location is the drive box or cover
	F704897	Hex Bit	
5	F432259	Screw	No. 8; 32 x 1/2 inch; Used in place of F430956 Screw; Typical location is the side panels and module cover
	281P4	Torx Bit	

**N/A = Part no longer available**

# Special Tools



PHM2640P\_F8008201



# Special Tools

REF	PART NO.	DESCRIPTION	COMMENTS
	F730055-2	Mounting Bolt Kit	
	F601862P	Rebar Frame Template	
	F798773	Rebar Frame Kit	
1	F633431	Alignment Shaft Assembly	
2	F200293500	Seal Alignment Tool Assembly	
	F0100315-00	Shaft Seal Alignment Fixture	
3	F460133	Bearing Removal Tool	
4	F798700	Grease Gun Kit	Includes items 5 and 6
5	F210206P	Bearing Grease	
6	F210207P	Grease Gun	



# Parts Index

## A

Alignment Shaft Assembly F633431 .....	63
Antisiphon Valve F380802 .....	45

## B

Balance Switch Bracket F601750 .....	57
Basket Assembly F603686 .....	31
Bearing Grease F210206P .....	63
Bearing Removal Tool F460133 .....	63
Before Power Is Connected Tag F230501 .....	7
Belt F200196400 .....	55
F280338 .....	55
Bolt F0430539-00 .....	57
Bracket Casting F150200 .....	25
Bushing F280217 .....	55
F421400 .....	59
Bushing Key Retainer F602415 .....	55
Buzzer F300203P .....	9

## C

Cage Wrap Assembly F633783 .....	13
Cap F190300 .....	25
Chafe Strip F601244 .....	51
Chemical Supply Cup F150385 .....	33
F150386 .....	33
Chemical Supply Hose F150487 .....	33
Clockwise Spin Rotation Decal F230652 .....	7
Cold Water Valve Decal F231368 .....	7
Conductor Decal F231146 .....	7
Connector F140575P .....	9
F140576P .....	9
J1408004 .....	55

Contactor F330110P .....	11
F330114 .....	11
F330115P .....	11
F330116 .....	11
F330175P .....	9
F330177P .....	9
F330178P .....	9
F330179P .....	9
F330180P .....	9
F330182 .....	9

Containment Device F0380809-00 .....	47
---	----

Cotter Pin F431201 .....	25
F431202 .....	35, 37

Coupling F420301 .....	49
---------------------------	----

## D

DIN Coil F380986P .....	41, 43, 59
F380987P .....	41, 43, 59

Disconnect Power Warning Label 505281 .....	7
--	---

Dispenser Assembly F0150512-00P .....	33
--	----

Dispenser Lid F0150514-00 .....	33
------------------------------------	----

Dispenser Shroud Weldment F8024303 .....	33
---	----

Do Not Push Decal F230302 .....	7
------------------------------------	---

Door Box F601706 .....	19, 25, 27
F601707 .....	19, 25, 27
F634415 .....	29

Door Box Assembly F634822 .....	23, 29
F634822-1 .....	29

Door Box Mounting Bracket F601129 .....	19, 23
--	--------

Door Bumper Bushing F430416 .....	19, 23
--------------------------------------	--------

Door Bumper Moulding F150366 .....	19, 23
---------------------------------------	--------

Door Butt F150233 .....	17, 21
----------------------------	--------

Door Butt Shim F601948 .....	19, 23
---------------------------------	--------

Door Cam Adjusting Rod F603105 .....	19
---	----

Door Extension Arm F610220 .....	19, 23
F610221 .....	19, 23

Door Gasket F8434801 .....	17, 21
-------------------------------	--------

Door Glass Gasket F170115 .....	17, 21
------------------------------------	--------

N/A items do not appear in index.

Door Glass Kit F290204P .....	17, 21
Door Handle F634416 .....	21
Door Handle Casting F150203 .....	19, 23
Door Hinge F150228 .....	19, 23
Door Hinge Pin F432307 .....	19, 23
Door Latch Bracket Shim F602058 .....	19, 23
Door Lock Collar F150288 .....	25
Door Lock Gasket F170135 .....	25
Door Lock Pivot Plate F608803 .....	19, 23
Door Lock Plunger F601081 .....	25
Door Lock Solenoid F300118P .....	27, 29
F300129P .....	29
Door Lock Solenoid Spring F310119 .....	25
Door Retainer Spinning F320102 .....	17, 21
Door Solenoid F300101P .....	25
Drain Conversion Kit F0798775-00 .....	51
F0798776-00 .....	51
Drain Hose F610376P .....	49
Drain Lift Tube F602101 .....	51
Drain Motor F380943P .....	49
Drain Valve F038062800 .....	49
F038062900 .....	49
Drain Valve Kit F200166302 .....	49
Drain Valve Motor F380932P .....	49, 51
F380933P .....	49, 51
Drain Valve Motor Arm F602222 .....	51
Drain Valve Motor Cover F602372 .....	51
Drain Valve Motor Linkage F602274 .....	51

## E

Elbow F420503 .....	39, 41
F422319 .....	17, 21
F422900 .....	49
External Supply Control Decal F230606 .....	7

## F

Face Seal F010030901P .....	53
Fan Kit F758501 .....	55
Fan Mounting Bracket F602804 .....	55
Flange Relay F330227 .....	9
F330230 .....	9
Frame Assembly F601754 .....	31
Front Bearing Kit F798835-00 .....	53
Front Panel F601837P .....	15
F631560 .....	13
Fuse F350104 .....	9, 11
Fuse Board Kit F730292 .....	11
Fuse Holder F350304P .....	9, 11

## G

Gate Valve F380500 .....	39, 41, 43, 45
Grease Fitting F190701 .....	55
Grease Gun F210207P .....	63
Grease Gun Kit F798700 .....	63
Grease Manifold F320326 .....	55
Ground Terminal Lug F140734 .....	9, 11

## H

Hex Bit F704897 .....	61
F704906 .....	61
Hose F200105 .....	49
F200126 .....	51
F610068 .....	17, 21
Hose Adapter F421909 .....	39, 41
Hose Barb F421929 .....	35
F421930 .....	39, 41, 43, 45
Hose Clamp F200201 .....	49, 51
F200213 .....	33, 49
F200215 .....	49
36801 .....	35, 37

N/A items do not appear in index.

Hot Surface Warning Decal	
F200085000 .....	7
F231380 .....	7
Hot Water Valve Decal	
F231367 .....	7

---

## I

Injection Nozzle	
F8322001 .....	33, 37
Injection Nozzle Kit	
F730168 .....	33, 37
Input Power Block	
F140746 .....	9, 11
Insulator Bushing	
F140910 .....	35
Interlock Contactor	
F330186P .....	9
Interlock Switch	
F340900 .....	25, 27

---

## J

Junction Box Cover	
F140401 .....	11

---

## K

Key	
F602257 .....	55
Keymode Decal	
F230678 .....	9
Keymode Run/Program Switch	
F340800P .....	9, 11
Keypad Decal	
F230724P .....	9

---

## L

Left Side Panel	
F602919 .....	15
Level Switch Mounting Bracket	
F603912 .....	9, 11
Light	
F350412 .....	9, 11
F350414 .....	9, 11
Lower Door Latch Bracket Casting	
F150202 .....	19, 23
Lower Door Latch Casting	
F150204 .....	19, 23
Lubrication Instruction Decal	
F230745 .....	55

---

## M

Magnet	
F8390801 .....	21

Magnetic Switch Assembly	
F200321200 .....	29
Mechanical Interlock	
F330111 .....	11
Microswitch	
F340906 .....	29, 57
Microswitch Decal	
F340600P .....	11
Motor	
F220312P .....	55
F220313P .....	55
F220314P .....	55
F220315P .....	55
Motor Pulley	
F280140 .....	55
F280160 .....	55
Motor Pulley Bushing	
F280212 .....	55
Mounting Bolt Kit	
F730055-2 .....	63

---

## N

Nipple	
F420101 .....	39, 41, 43, 45
F420105 .....	39, 41
F420107 .....	39, 41
F420112 .....	49
F420115 .....	49
F420138 .....	43, 45
F421948 .....	43, 45
No-Swivel Coupling	
F422109 .....	17, 21
Nut	
F430205 .....	19, 23, 57
F430211 .....	13, 15, 25, 31, 53, 59
F430215 .....	19, 51, 59
F430231 .....	21, 29, 55
F430264 .....	13, 35
F431005 .....	19, 23, 33
F431006 .....	11
F431022 .....	9, 11, 17, 21
F431026 .....	17, 19, 21, 23
F604730 .....	19
H88412101 .....	57
685846 .....	9
70142 .....	53
802292 .....	33, 37

---

## O

O-Ring	
F0170221-00 .....	47
F170200 .....	17, 21
F170208 .....	33, 37
F170215 .....	33
Output CCA	
F0370444-10P .....	9
Overflow Plug	
F150352 .....	49

N/A items do not appear in index.

---

**P**

Personal Injury Warning Decal	
F231065 .....	7
Phillips Bit	
F704904 .....	61
Pinch Drain Shell Kit	
F741020-10 .....	31
Pipe	
F0602364-29 .....	49
F610033 .....	49
Pipe Elbow	
J1188192 .....	35
Pipe Nipple	
70214101 .....	59
Plug	
F420409 .....	59
Plug Cap	
F190304 .....	33
Pop Rivet	
F431210 .....	53
Post and Screw Kit	
F730087 .....	35, 37
Pulley	
F280131 .....	55
Pushbutton Boot	
F340409 .....	9, 11

---

**R**

RC Network Filter	
F330217P .....	9, 11, 25, 27, 29
Rear Bearing Kit	
F745004 .....	53
Rear Panel	
F631559 .....	15
F633777P .....	13
Rebar Frame Kit	
F798773 .....	63
Rebar Frame Template	
F601862P .....	63
Repair Kit	
F380915P .....	39
F380947P .....	45
F380965P .....	39, 41, 43
F380966P .....	45
Retaining Ring	
F310215 .....	19, 23
Right Side Panel	
F601838P .....	15
Ring Retainer	
F310206 .....	17, 21
Rod End Clip	
F431205 .....	51
Rub Rail	
F601839 .....	13, 15

---

**S**

Screw	
F0430272-00 .....	61
F0430273-00 .....	61
F0430274-00 .....	61
F0430275-00 .....	61
F430101 .....	51
F430103 .....	19, 23
F430141 .....	53
F430168 .....	19, 23
F430500 .....	31
F430502 .....	25
F430903 .....	11
F430913 .....	53, 59
F430916 .....	9, 11, 21, 55
F430917 .....	17, 21, 25, 33
F430920 .....	9
F430921 .....	13
F430922 .....	55
F430925 .....	25
F430927 .....	19, 23
F430928 .....	9, 11, 29
F430938 .....	47
F430956 .....	13, 15, 35
F430960 .....	61
F430992 .....	31
F430995 .....	25, 27, 29
F432259 .....	61
F432260 .....	61
201415 .....	19, 23
800461 .....	55, 57
Scupper	
F150389 .....	53
Seal Alignment Tool Assembly	
F200293500 .....	63
Seal Kit	
F798833-00 .....	53
Shaft Seal Alignment Fixture	
F0100315-00 .....	63
Shell Band Assembly	
F603630 .....	31
Shell Band Gasket	
F170120RP .....	31
Shell Front Assembly	
F634691 .....	31
Shell Front Weldment	
F8136001P .....	31
Shell Plate Assembly	
F604051 .....	53
Side Panel	
F631553P .....	13
Slinger	
F100205 .....	53
Soap Dispenser Link Arm	
F601792 .....	35, 37
Soap Dispenser Manifold Assembly	
F603084 .....	35
Soap Dispenser Shelf	
F601795 .....	35
Soap Supply Cup	
F603413 .....	35, 37

N/A items do not appear in index.

Solenoid Valve	
F380702P .....	39
F380708P .....	35
F380709P .....	35
F380724P .....	45
Spacer	
F431911 .....	11
Spanner Bit	
F704907 .....	61
Spray Rinse Bracket Assembly	
F602901P .....	17, 21
Spray Rinse Hose Kit	
F730023 .....	17, 21
Spray Rinse Nozzle Kit	
F730077 .....	17, 21
Spray Rinse Strap	
F602880 .....	17, 21
Spray Rinse Tube Assembly	
F610363 .....	17, 21, 39, 41
Spring	
F310101 .....	51
Spring Pin	
H88900683 .....	51
Steam Filter	
F270307 .....	59
Steam Hose	
F200153P .....	59
Steam Injector Tube Assembly	
F603132 .....	59
Steam Valve	
F380786P .....	59
F380787P .....	59
Steam Valve Bracket	
F607268 .....	59
Steam Valve Repair Kit	
F380984P .....	59
Strain Relief Adapter Kit	
F749802 .....	33
Strain Relief Connector	
F140340P .....	33
Street Elbow	
F420500 .....	39, 41, 43, 45, 59
F420502 .....	39, 41
F422310 .....	35
Studded Door Assembly	
F634678 .....	21
Studded Door Kit	
F730316 .....	17
Supply Dispenser Hazard Caution Decal	
F231436 .....	7, 33
Supply Dispenser Spacer	
F0150525-00 .....	33
Supply Valve Manifold Assembly	
F604602P .....	35
Switch	
F340403P .....	9, 11
F340901 .....	25, 27
Switch Extension	
F340913 .....	25, 27
Swivel Coupling	
F422108 .....	17, 21

---

## T

Tee	
F420402 .....	39, 41
F420403 .....	39, 41
F420410 .....	43, 45
F422801 .....	49
F422805 .....	9, 11
Temperature Probe	
F370606P .....	59
Terminal Strip	
F140738 .....	9, 11
This Machine Must Be Protected Decal	
F230301 .....	7
Top Fill Assembly	
F610260 .....	39, 41
Top Latch Bracket Casting	
F150201P .....	19, 23
Torx Bit	
281P4 .....	61
Trim	
F170400RP .....	13, 15, 33
Tube Connector	
F422106 .....	39, 41
Tubing	
C000628P .....	55
F422404P .....	9, 11

---

## U

U-Bolt Clamp	
F200401P .....	35, 59

---

## V

Vacuum Breaker Cap	
F0380808-00 .....	47
Vacuum Breaker Kit	
F0798922-00 .....	47
Vacuum Breaker Valve	
F063754701P .....	47
F380800P .....	39, 41, 43
Valve	
F380703P .....	39
F381700P .....	41
F381701P .....	41
F381727P .....	43
F381733P .....	43
Valve, 4-Way	
F380715P .....	37

---

## W

Washer	
F200504 .....	43, 45
F430317 .....	19, 31, 51
F430322 .....	53, 59
F430329 .....	53
F431100 .....	13, 15, 17, 19, 21, 23, 33
F431112 .....	53

N/A items do not appear in index.

F431113.....	9, 11
F431118.....	19, 23
F431123.....	35, 37
F431133.....	33
F431147.....	33
M400013.....	53
M400014.....	55, 57
M400081.....	55, 57
Water Hose	
F200107P.....	35, 37
F200187.....	43, 45
Water Level Switch	
F340308P.....	9, 11
F340309P.....	11
Water Valve Repair Kit	
F0381007P.....	43
WE-5 Board	
F370717P.....	11
WE-6 Computer	
F370534-00P.....	9

---

## Y

Y Connector	
F422808.....	37

---