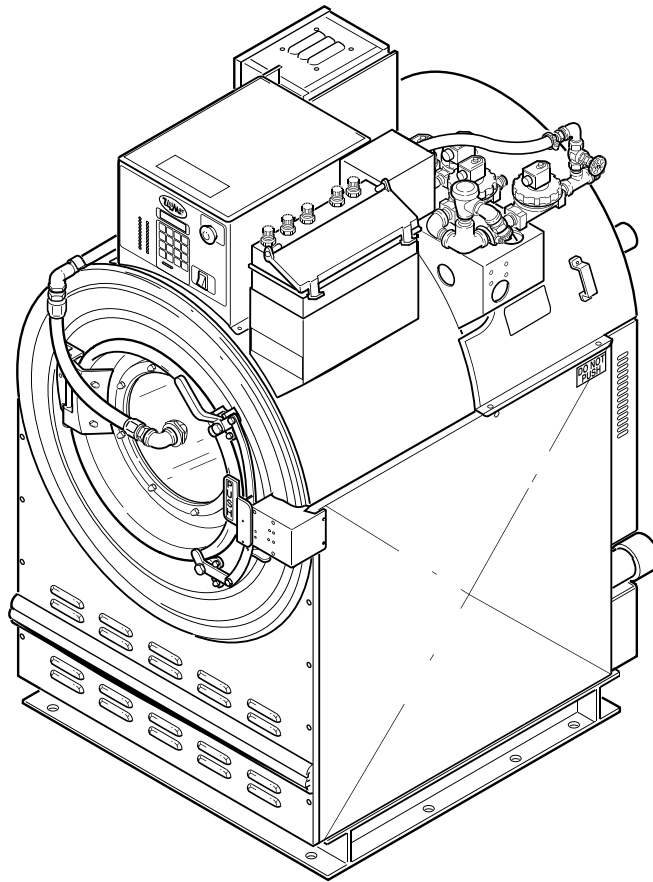


Washer-Extractor

Pocket Hardmount

UW125PV



U055C_F230546

Table of Contents

Title	Page
Parts Ordering Information.....	2
Nameplate Location	2
Model Identification	3
Decals	4
New Style Control Module Assembly (Drawing 1 of 2)	6
New Style Control Module Assembly (Drawing 2 of 2)	8
Old Style Control Module Assembly	10
PowerFlex 40 AC Drive.....	12
New Style Cover Panels	14
Old Style Cover Panels.....	16
Door Assembly - 2 Door Box (Drawing 1 of 2).....	18
Door Assembly - 2 Door Box (Drawing 2 of 2).....	20
Door Assembly - 1 Door Box (Drawing 1 of 2).....	22
Door Assembly - 1 Door Box (Drawing 2 of 2).....	24
2 Door Box Assembly - Solenoid without Plunger Style.....	26
2 Door Box Assembly - Solenoid with Plunger Style.....	28
1 Door Box Assembly	30
Basket, Shell and Frame.....	32
New Style Supply Dispenser.....	34
Old Style Supply Dispenser with Horton Valve	36
Old Style Supply Dispenser with Mueller Valve	38
Spray and Fill Plumbing Assembly with 3/4-Inch Hays Valves	40
Spray and Fill Plumbing Assembly with 3/4-Inch Parker Valves.....	42
Spray and Fill Plumbing Assembly with 1-Inch Parker Valves.....	44
Spray and Fill Plumbing Assembly with 1 1/4-Inch Hays Valves	46
Vacuum Breaker Assembly with Leak Containment Kit.....	48
Drain Valve and Plumbing	50
Drain Valve	52
Motor, Pulley, Belt and Bearings.....	54
AC Drive.....	56
Balance Switch, Rotation Sensor and Control Transformer.....	58
Steam Heat Option and Temperature Probe	60
Wet-Clean Assembly Main View	62
Wet-Clean Assembly Control Module	64
Security Fasteners	66
Special Tools	68
Parts Index.....	71

© Copyright 2007, Alliance Laundry Systems LLC

All rights reserved. No part of the contents of this book may be reproduced or transmitted in any form or by any means without the expressed written consent of the publisher.

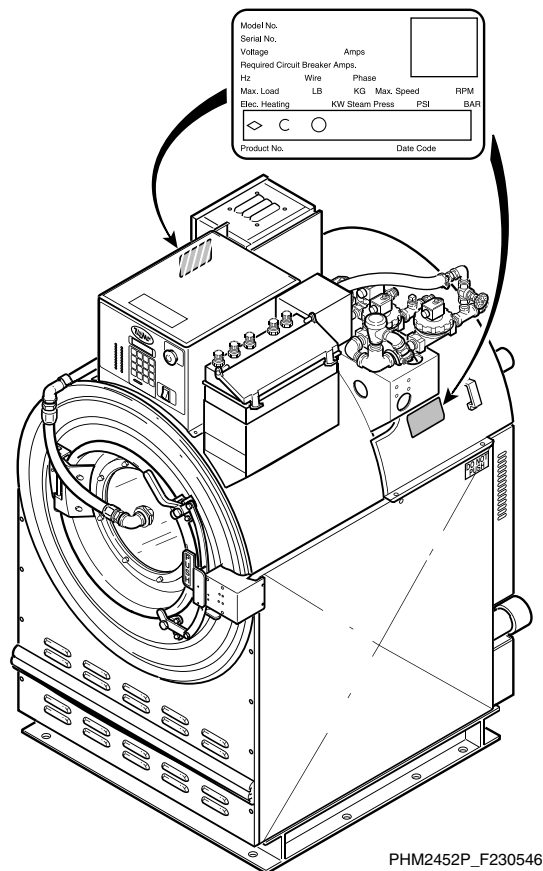
Parts Ordering Information

If literature or replacement parts are required, contact the source from whom the machine was purchased or contact Alliance Laundry Systems at (920) 748-3950 for the name and address of the nearest authorized parts distributor.

For technical assistance, call (920) 748-3121.

Nameplate Location

When calling or writing about your product, be sure to mention model and serial numbers. Model and serial numbers are located on nameplate(s) as shown.



PHM2452P_F230546

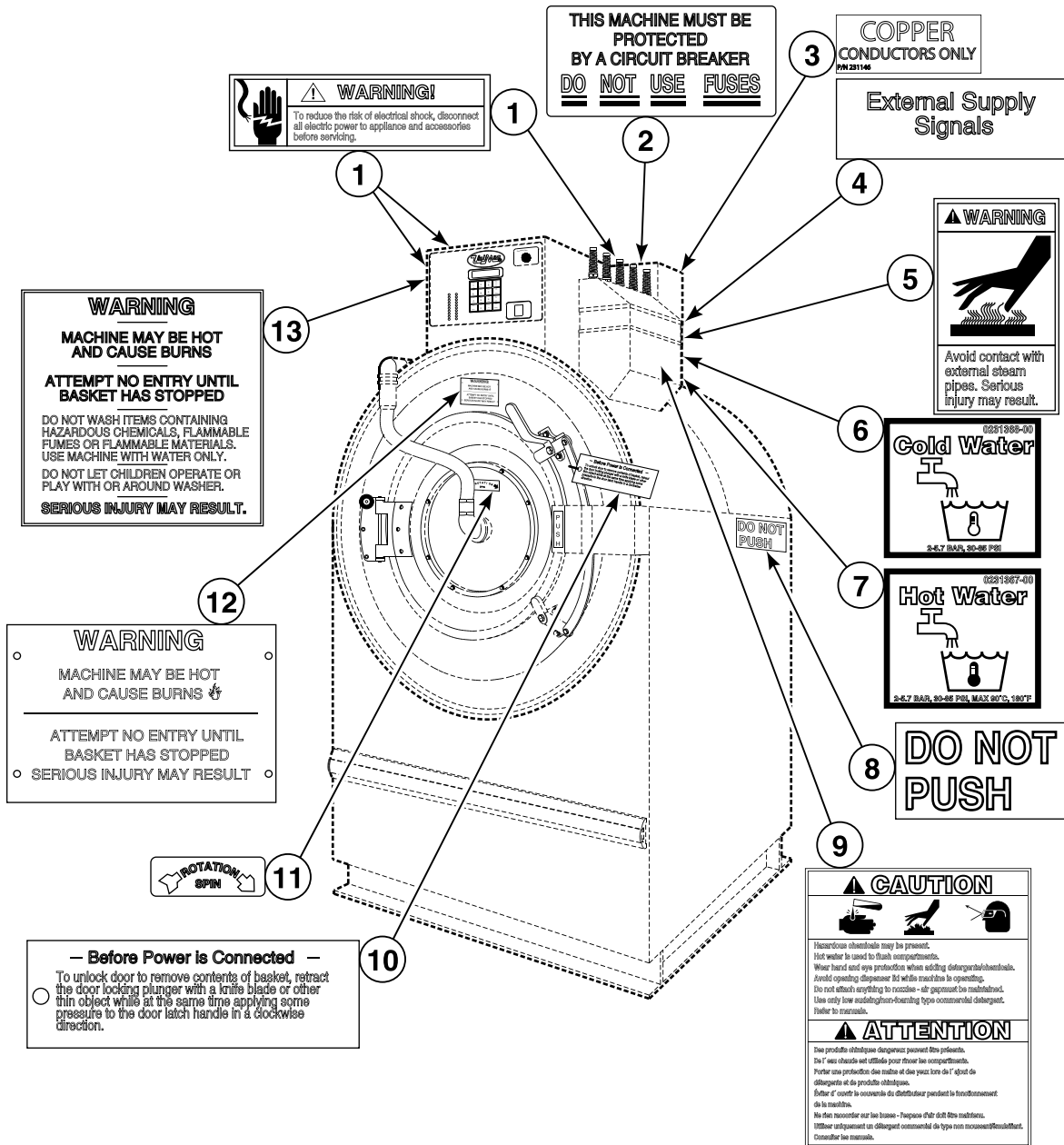
Model Identification

Information in this manual is applicable to this washer-extractor model:

UW125PV

NOTE: This manual applies to models with either 1, 2, 3 or 4 in the 10th position in the model number (e.g. UW125PVQU40001)

Decals



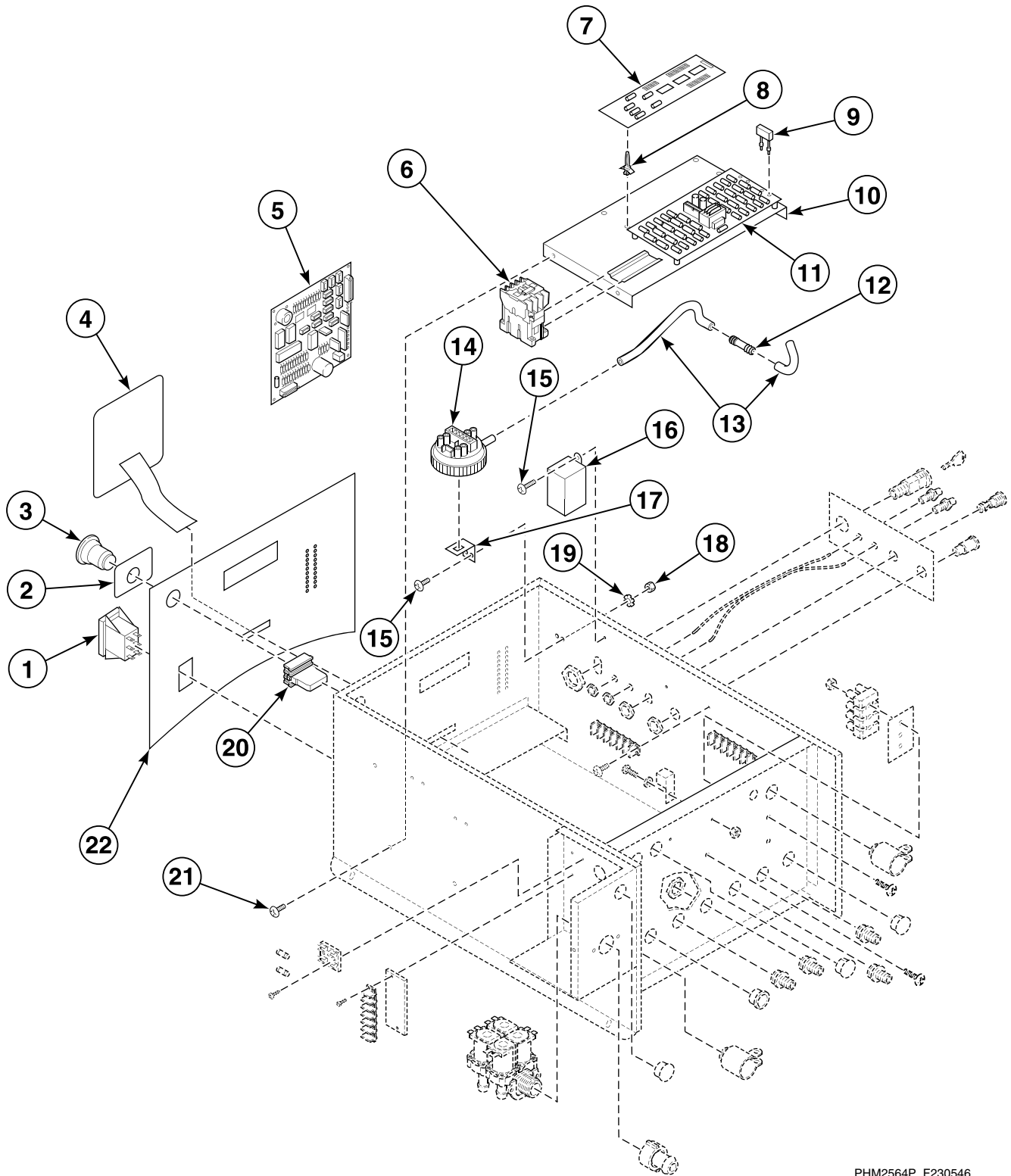
PHM2643P_F230546

Decals

REF	PART NO.	DESCRIPTION	COMMENTS
1	505281	Disconnect Power Warning Label	
2	F230301	This Machine Must Be Protected Decal	
3	F231146	Conductor Decal	
4	F230606	External Supply Control Decal	
5	F231380	Hot Surface Warning Decal	
6	F231368	Cold Water Valve Decal	
7	F231367	Hot Water Valve Decal	
8	F230302	Do Not Push Decal	
9	F231436	Supply Dispenser Hazard Caution Decal	
10	F230501	Before Power Is Connected Tag	
11	F230652	Clockwise Spin Rotation Decal	
12	N/A	Attempt No Entry Warning Plate	
13	F231065	Personal Injury Warning Decal	

N/A = Part no longer available

New Style Control Module Assembly (Drawing 1 of 2)



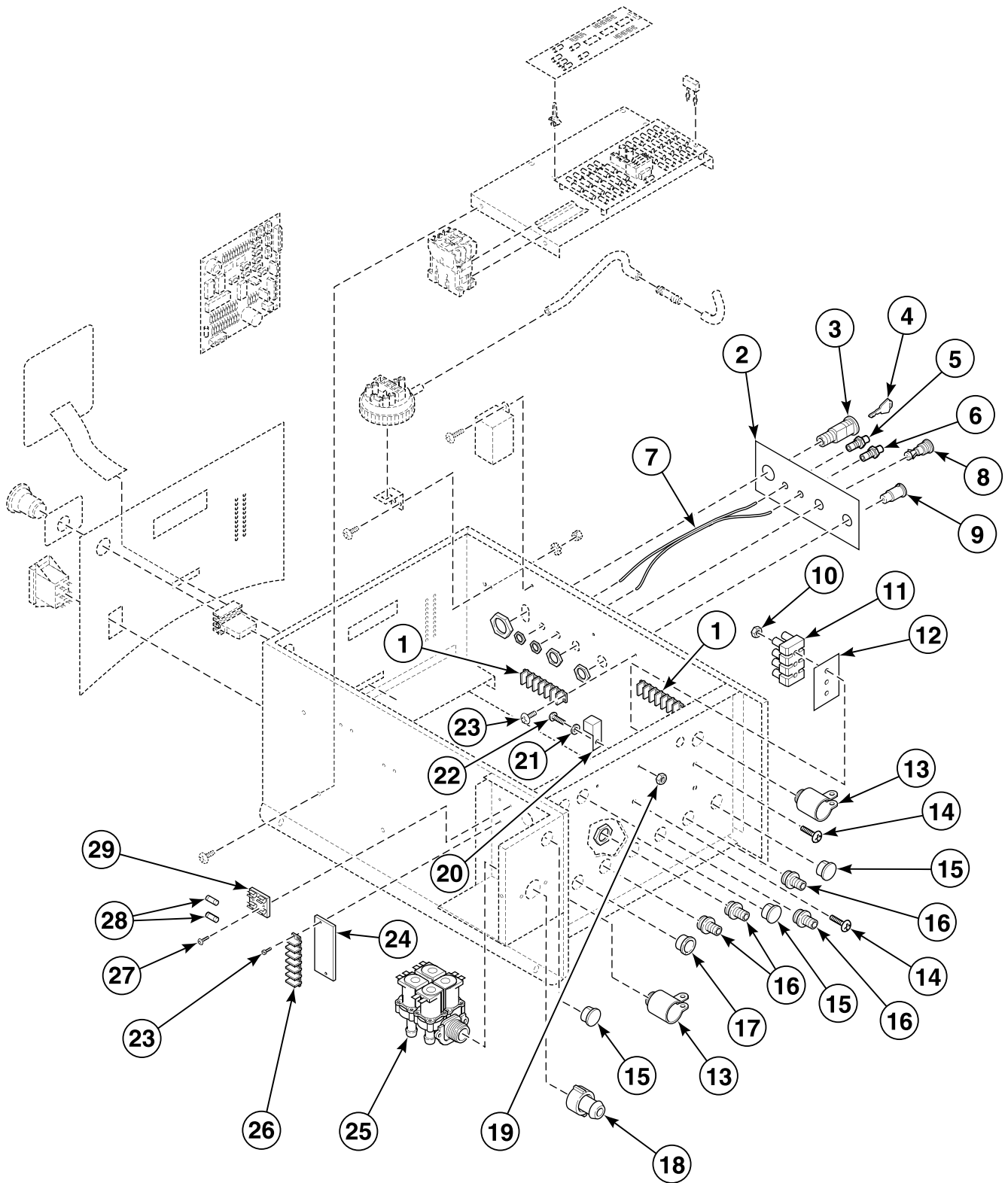
PHM2564P_F230546

New Style Control Module Assembly (Drawing 1 of 2)

REF	PART NO.	DESCRIPTION	COMMENTS
1	F340412	Momentary Switch	
2	F231083	Emergency Stop Decal	
3	F340718	Emergency Stop Pushbutton	
4	F230724P	Keypad Decal	
5	F037062441P	WE-6 Computer	
6	F330187P	Contactora	120 Volt; NX208
	F330188P	Contactora	220 Volt; NX208
7	F370446P	WE-6 Interface CCA Kit	
8	F180506	Standoff	
9	F330217P	RC Network Filter	Includes F140627 Connector and F141022 Connector
10	F608385	Mounting Panel Assembly	
11	F0370443-10P	Output CCA	120 Volt
	F0370454-10P	Output CCA	220 Volt
	F350110	Fuse	1 Amp; Slo blo
	F350109	Fuse	1/2 Amp; Fast blo
	F350108	Fuse	1/8 Amp; Slo blo
12	F422500	Connector	
13	F422404P	Tubing	
14	F0340348-10P	Water Level Switch	
15	F430917	Screw	
16	F300203P	Buzzer	120 Volt
	N/A	Buzzer	220 Volt
17	F630242	Water Level Switch Bracket	
18	F431022	Nut	
19	F431113	Washer	
20	F340445	Contact Block Switch	
21	F430928	Screw	
22	F231562	Control Module Decal	

N/A = Part no longer available

New Style Control Module Assembly (Drawing 2 of 2)



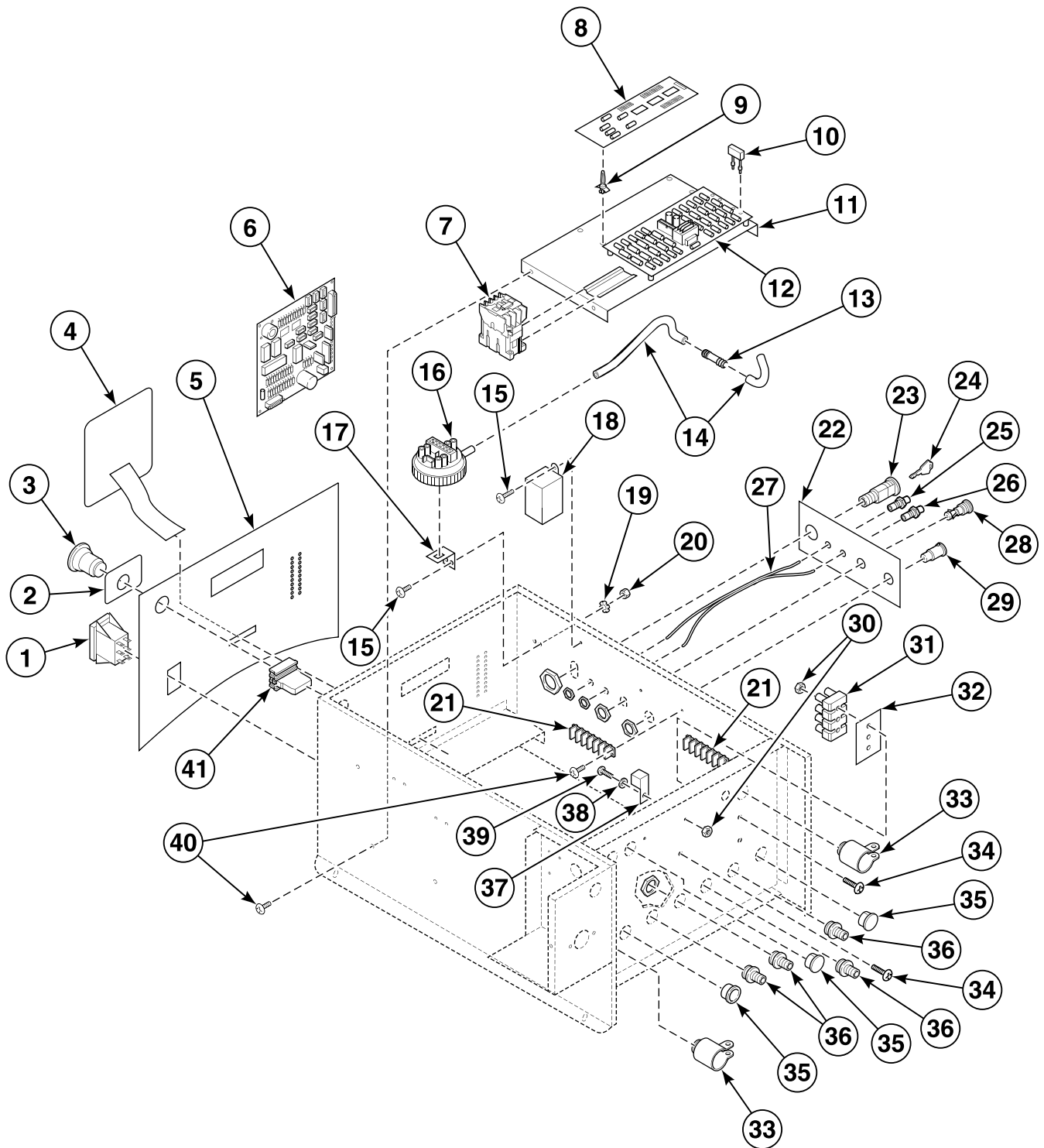
PHM2565P_F230546

New Style Control Module Assembly (Drawing 2 of 2)

REF	PART NO.	DESCRIPTION	COMMENTS
1	F140738	Terminal Strip	
2	F230678	Keymode Decal	
3	F200174600	Keymode Assembly	
4	F370709	Program Key	
5	F140575P	Connector	Gray
6	F140576	Connector	Blue
7	F604713	Cable Assembly	
8	F350211	Circuit Breaker	3 Amp
9	F350412	Light	Red; 120 Volt
	F350414	Light	Red; 220 Volt
10	F431022	Nut	
11	F140747	Input Power Block	
12	F230677	Input Power Connector Decal	
13	F140311	Squeeze Connector	
14	F430916	Screw	
15	F140527	Plug	
16	F140309	Connector	
17	F140909	Insulator Bushing	
18	F200302	Hose Connector	
19	F431000	Nut	
20	F140734	Ground Terminal Lug	
21	F431106	Washer	
22	F430995	Screw	
23	F430928	Screw	
24	F230622	External Supply Decal	
25	F381724P	4-Way Valve	Elbi; 120 Volt
	F381723P	4-Way Valve	Elbi; 220 Volt
	G581P3	Diaphragm and Guide Kit	Elbi; Includes G300194 Armature Guide and G300202 Diaphragm
	F380715P	4-Way Valve	Mueller; 120 Volt
	N/A	Valve Repair Kit	Mueller
26	F140782	Terminal Block	
27	F430910	Screw	
28	F350115	Fuse	3 Amp
29	F0350312-10	Fuse Holder	

N/A = Part no longer available

Old Style Control Module Assembly



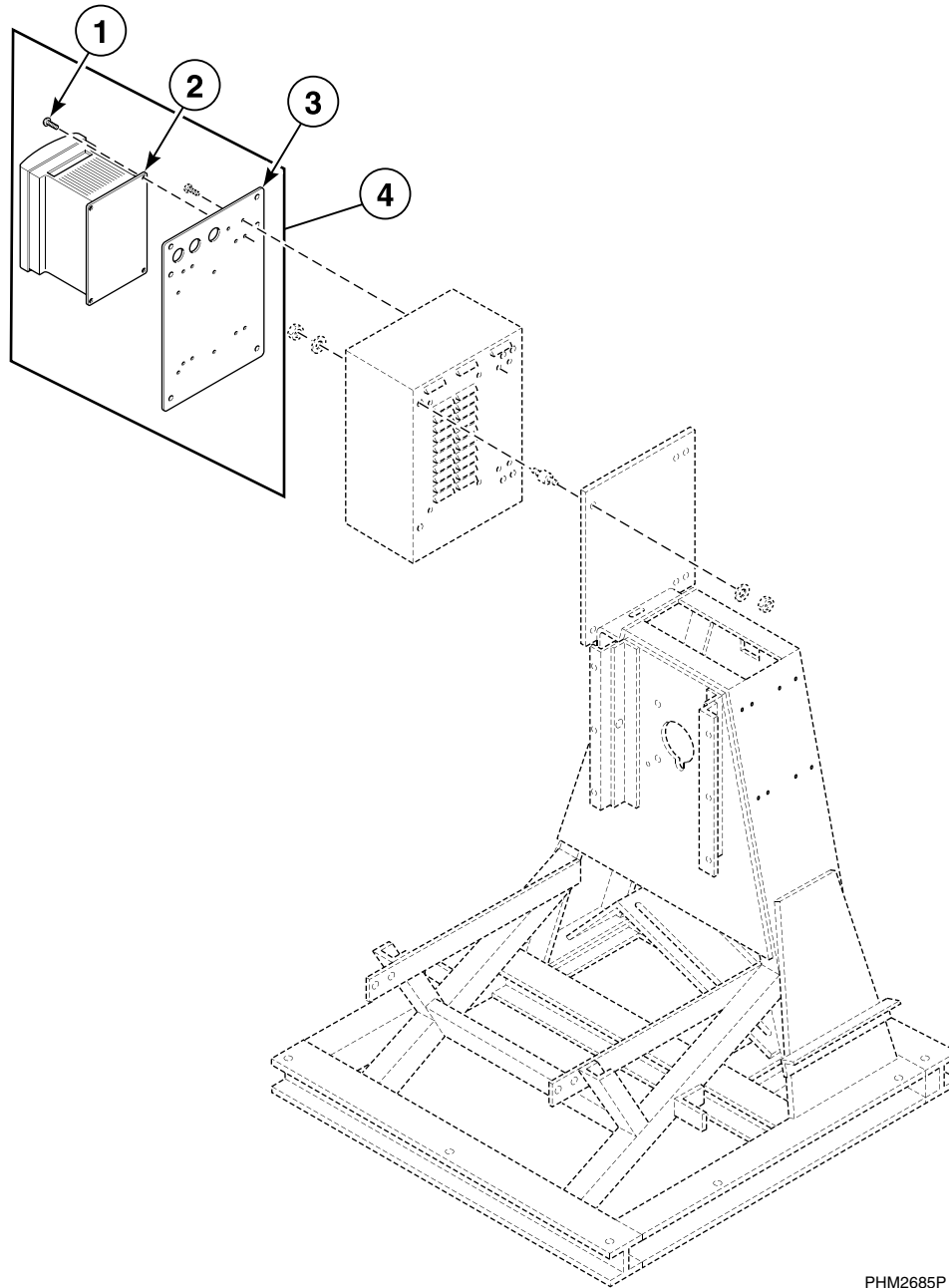
PHM2566P_F230546

Old Style Control Module Assembly

REF	PART NO.	DESCRIPTION	COMMENTS
1	F340412	Momentary Switch	
2	F231083	Emergency Stop Decal	
3	F340718	Emergency Stop Pushbutton	
4	F230724P	Keypad Decal	
5	F231562	Control Module Decal	
6	F037062441P	WE-6 Computer	
7	F330187P	Contactora	120 Volt; NX208
	F330188P	Contactora	220 Volt; NX208
8	F370446P	WE-6 Interface CCA Kit	
9	F180506	Standoff	
10	F330217P	RC Network Filter	Includes F140627 Connector and F141022 Connector
11	F608385	Mounting Panel Assembly	
12	F0370443-10P	Output CCA	120 Volt
	F0370454-10P	Output CCA	220 Volt
	F350110	Fuse	1 Amp; Slo blo
	F350109	Fuse	1/2 Amp; Fast blo
	F350108	Fuse	1/8 Amp; Slo blo
13	F422500	Connector	
14	F422404P	Tubing	
15	F430917	Screw	
16	F0340348-10P	Water Level Switch	
17	F630242	Water Level Switch Bracket	
18	F300203P	Buzzer	120 Volt
	N/A	Buzzer	220 Volt
19	F431113	Washer	
20	F431022	Nut	
21	F140738	Terminal Strip	
22	F230678	Keymode Decal	
23	F200174600	Keymode Assembly	
24	F370709	Program Key	
25	F140575P	Connector	Gray
26	F140576	Connector	Blue
27	F604713	Cable Assembly	
28	F350211	Circuit Breaker	3 Amp
29	F350412	Light	Red; 120 Volt
	F350414	Light	Red; 220 Volt
30	F430231	Nut	
31	F140747	Input Power Block	
32	F230677	Input Power Connector Decal	
33	F140311	Squeeze Connector	
34	F430916	Screw	
35	F140527	Plug	
36	F140309	Connector	
37	F140734	Ground Terminal Lug	
38	F431106	Washer	
39	F430995	Screw	
40	F430928	Screw	
41	F340445	Contact Block Switch	

N/A = Part no longer available

PowerFlex 40 AC Drive

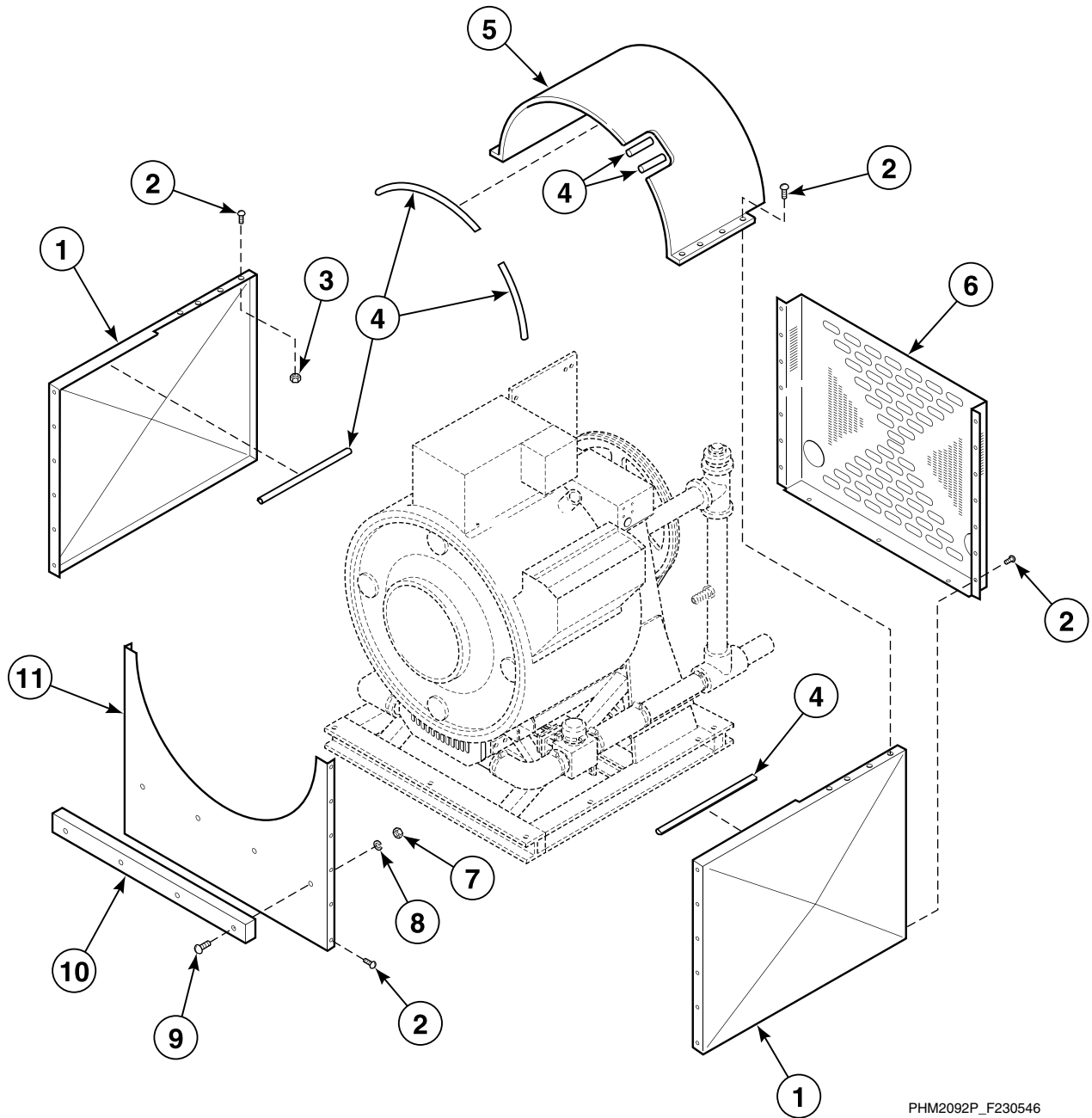


PHM2685P_F230546

PowerFlex 40 AC Drive

REF	PART NO.	DESCRIPTION	COMMENTS
1	F430920	Screw	
2	F8103810	Drive	Q-voltage models; Requires software ID code HRWC18 or later (F037062541 Software Chip); Used with F220218UP Motor
3	F8018200	Drive Mounting Plate Assembly	
4	F079902900	PowerFlex 40 AC Drive Retrofit Kit	Q-voltage models; Includes items 1-3, F037062541 Software Chip, 45121 Wire (1 foot), F140329 Strain Relief Connector (PG13.5), F140226 Cable and F140605 Cable Tie

New Style Cover Panels

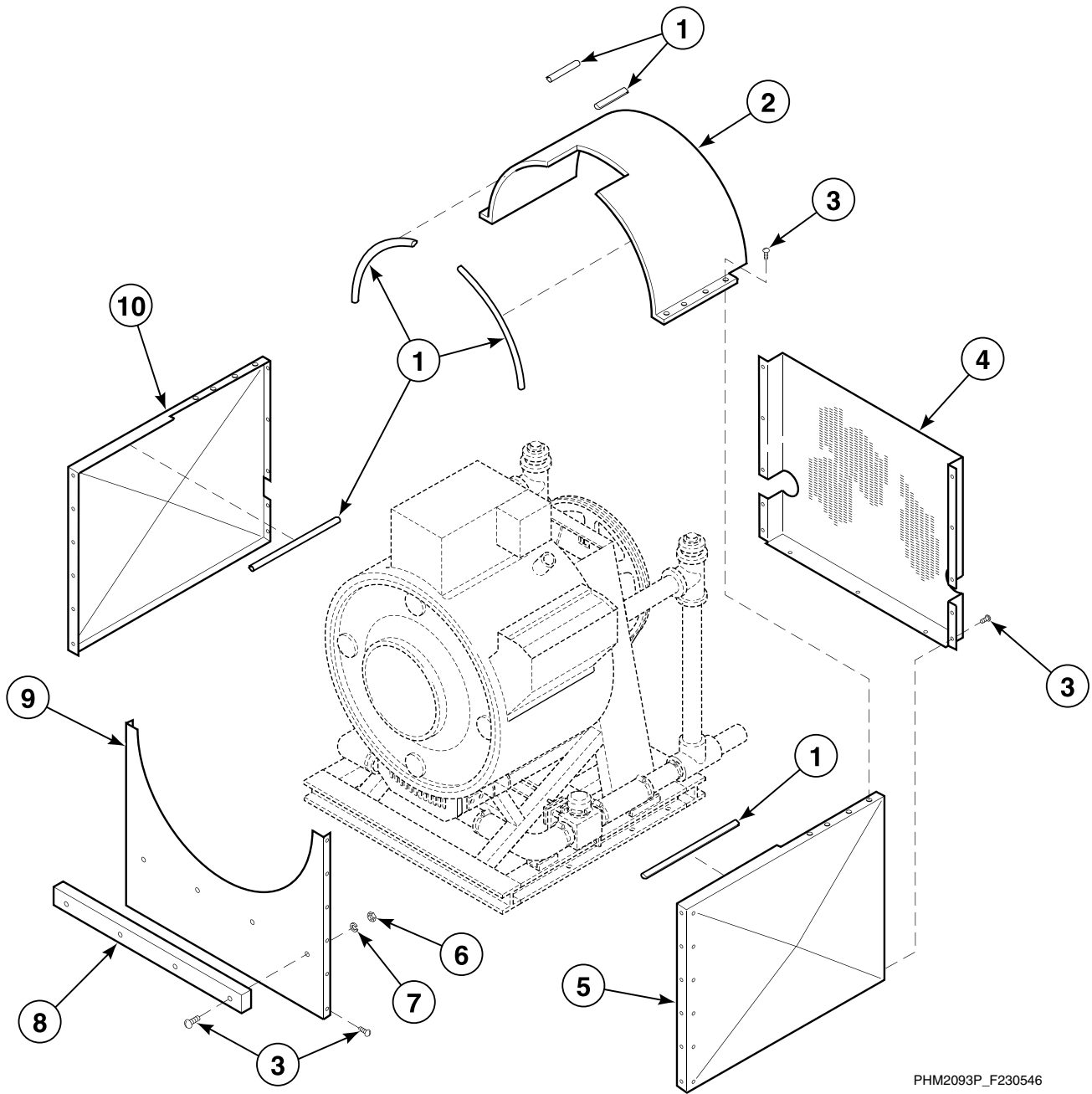


PHM2092P_F230546

New Style Cover Panels

REF	PART NO.	DESCRIPTION	COMMENTS
1	F631553P	Side Panel	Reversible
2	F430956	Screw	
3	F430264	Nut	Tinnerman
4	F170400RP	Trim	
5	F633783	Cage Wrap Assembly	
6	F633777	Rear Panel	
7	F430211	Nut	
8	F431100	Washer	
9	F430921	Screw	
10	F601839	Rub Rail	
11	F631560	Front Panel	

Old Style Cover Panels



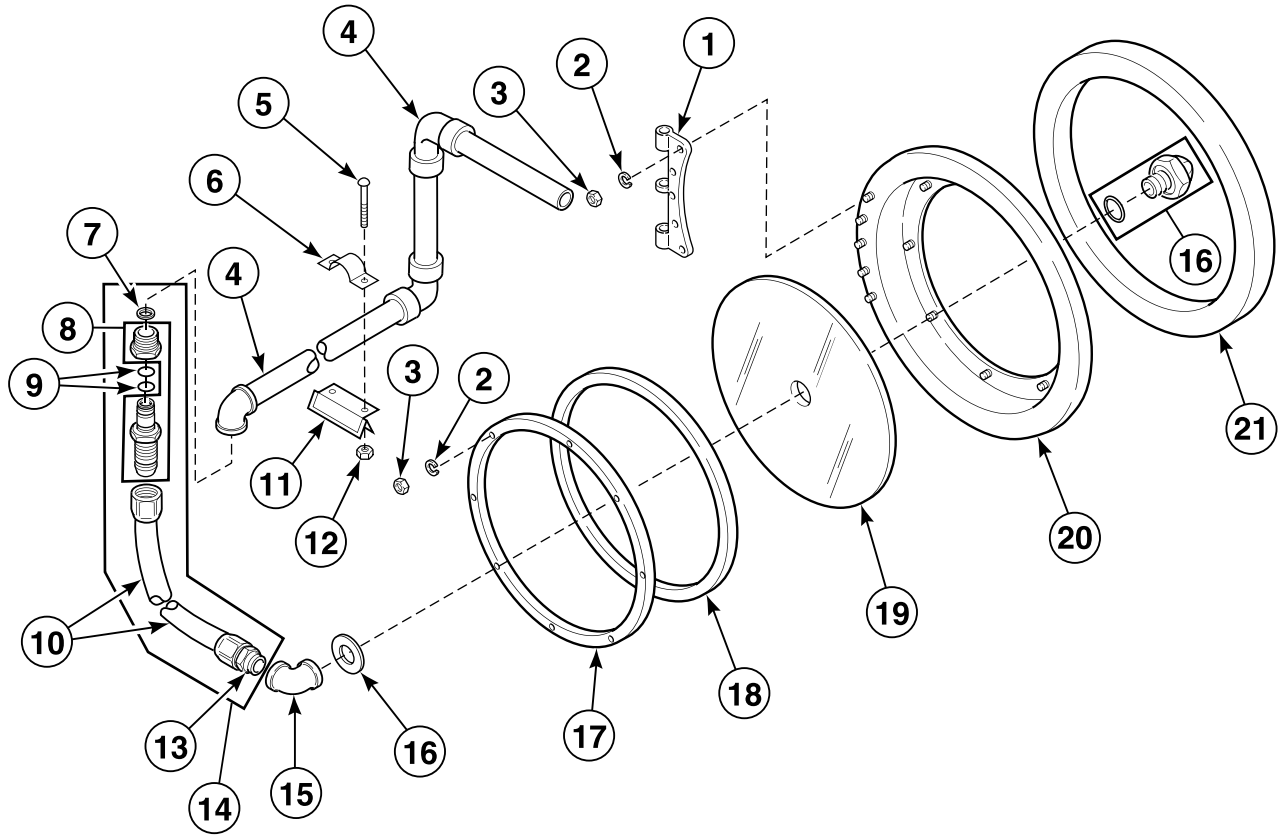
PHM2093P_F230546

Old Style Cover Panels

REF	PART NO.	DESCRIPTION	COMMENTS
1	F170400RP	Trim	
2	N/A	Cage Wrap Assembly	
3	F430956	Screw	
4	F631559	Rear Panel	
5	F601838	Right Side Panel	
6	F430211	Nut	
7	F431100	Washer	
8	F601839	Rub Rail	
9	F601837	Front Panel	
10	F602919	Left Side Panel	

N/A = Part no longer available

Door Assembly - 2 Door Box (Drawing 1 of 2)

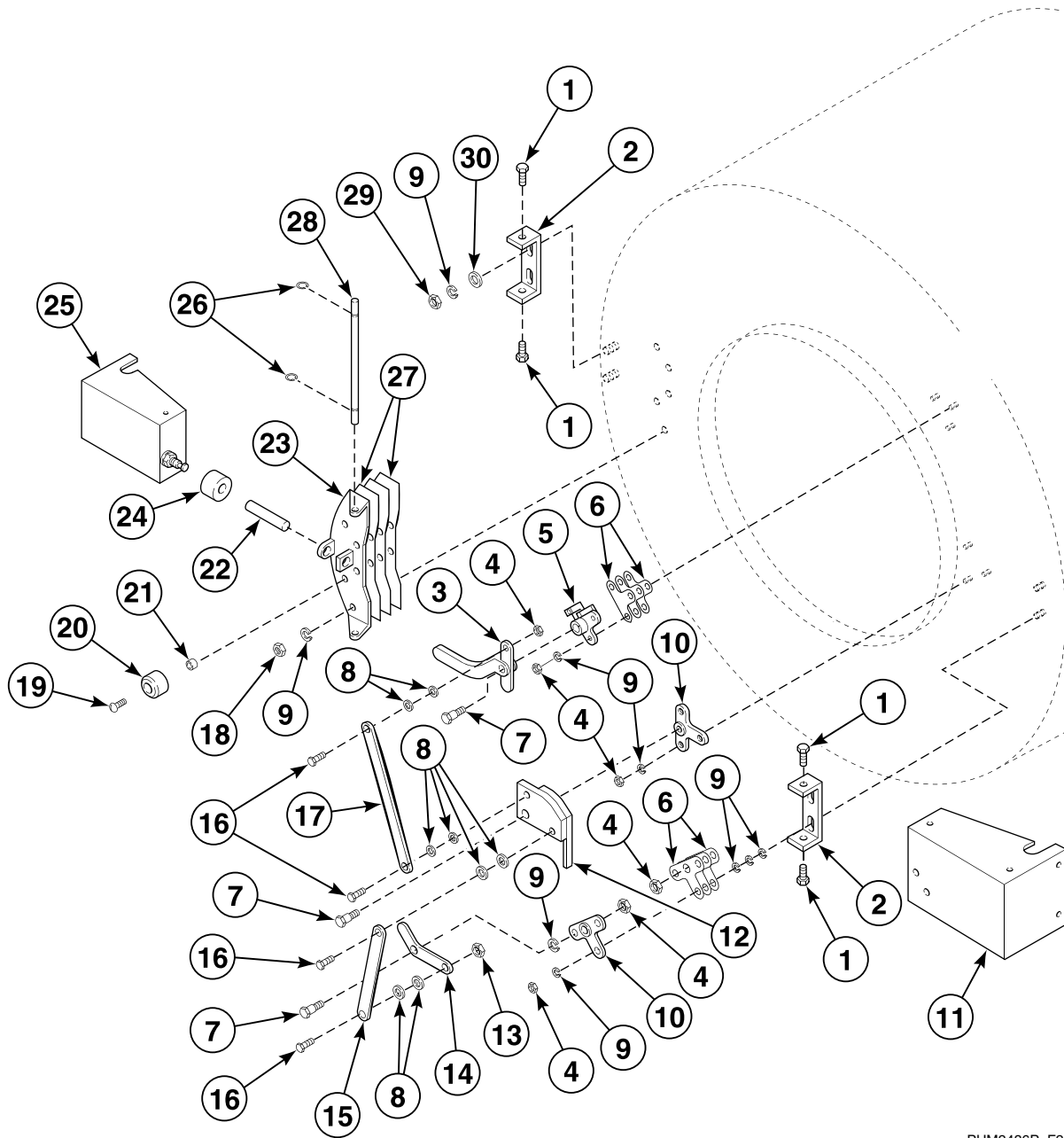


PHM2435P_F230546

Door Assembly - 2 Door Box (Drawing 1 of 2)

REF	PART NO.	DESCRIPTION	COMMENTS
1	F150233	Door Butt	
2	F431100	Washer	
3	F431026	Nut	
4	F610363	Spray Rinse Tube Assembly	
5	F430917	Screw	
6	F602880	Spray Rinse Strap	
7	F310206	Ring Retainer	
8	F422108	Swivel Coupling	
9	F170200	O-Ring	
10	F610068	Hose	
11	F602901P	Spray Rinse Bracket Assembly	Includes items 5 and 12
12	F431022	Nut	
13	F422109	No-Swivel Coupling	
14	F730023	Spray Rinse Hose Kit	Includes items 7-10 and 13
15	F422319	Elbow	
16	F730077	Spray Rinse Nozzle Kit	Includes F431905 Washer, F170201 O-Ring and F380301 Spray Rinse Nozzle
17	F320102	Door Retainer Spinning	
18	F170115	Door Glass Gasket	
19	F290204P	Door Glass Kit	
20	F730316	Studded Door Kit	
21	F170162	Door Gasket	

Door Assembly - 2 Door Box (Drawing 2 of 2)

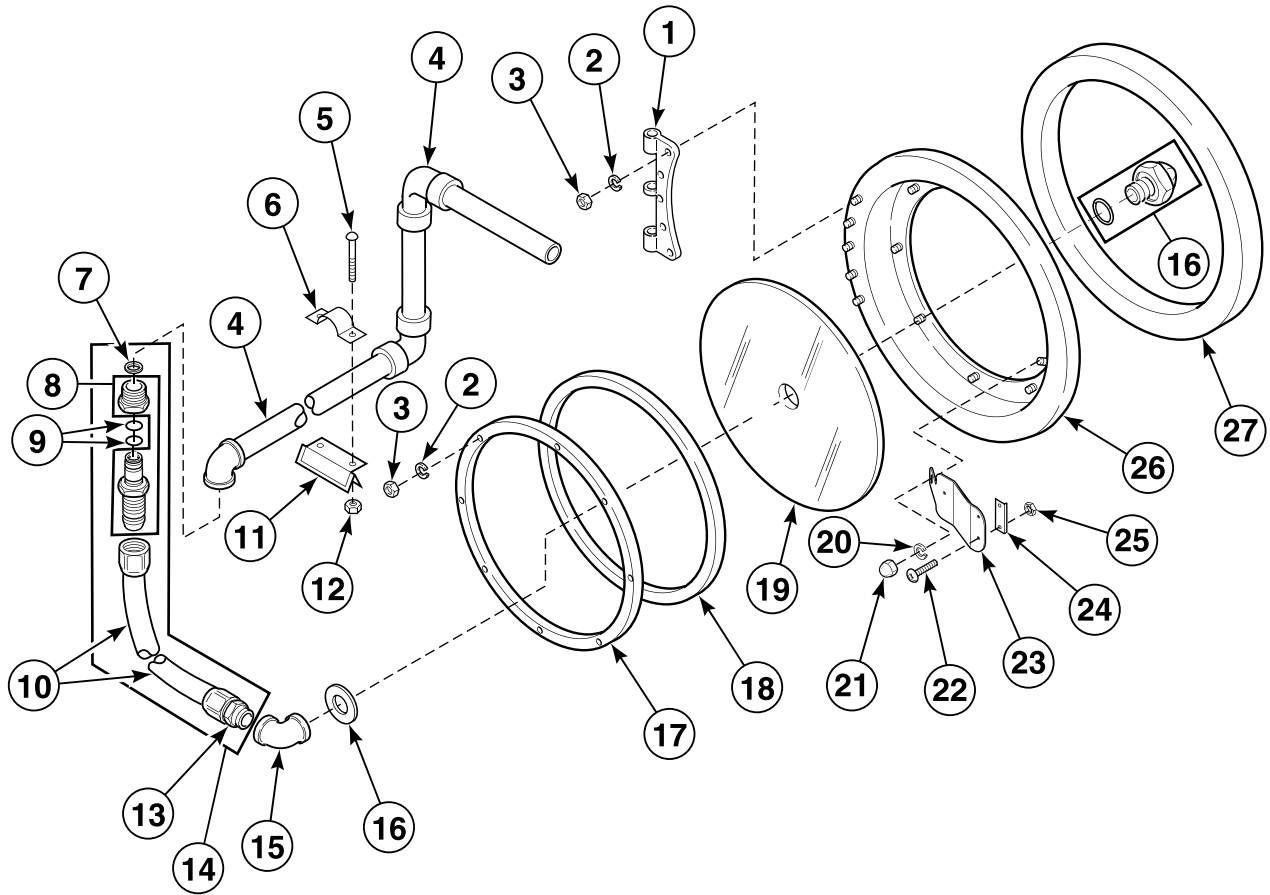


PHM2436P_F230546

Door Assembly - 2 Door Box (Drawing 2 of 2)

REF	PART NO.	DESCRIPTION	COMMENTS
1	F430904	Screw	
2	F601129	Door Box Mounting Bracket	
3	F150203	Door Handle Casting	
4	F431118	Washer	
5	F150201	Top Latch Bracket Casting	
6	F602058	Door Latch Bracket Shim	
7	F430168	Screw	
8	F431026	Nut	
9	F431100	Washer	
10	F150202	Lower Door Latch Bracket Casting	
11	F601707	Door Box	Right
12	F608803	Door Lock Pivot Plate	
13	F430205	Nut	
14	F150204	Lower Door Latch Casting	
15	F610220	Door Extension Arm	Lower; Short
16	F430927	Screw	
17	F610221	Door Extension Arm	Upper; Long
18	F431005	Nut	
19	F430103	Screw	
20	F150366	Door Bumper Moulding	
21	F430416	Door Bumper Bushing	
22	F603105	Door Cam Adjusting Rod	
23	F150228	Door Hinge	
24	F604730	Nut	
25	F601706	Door Box	Left
26	F310215	Retaining Ring	
27	F601948	Door Butt Shim	
28	F432307	Door Hinge Pin	
29	F430215	Nut	
30	F430317	Washer	

Door Assembly - 1 Door Box (Drawing 1 of 2)

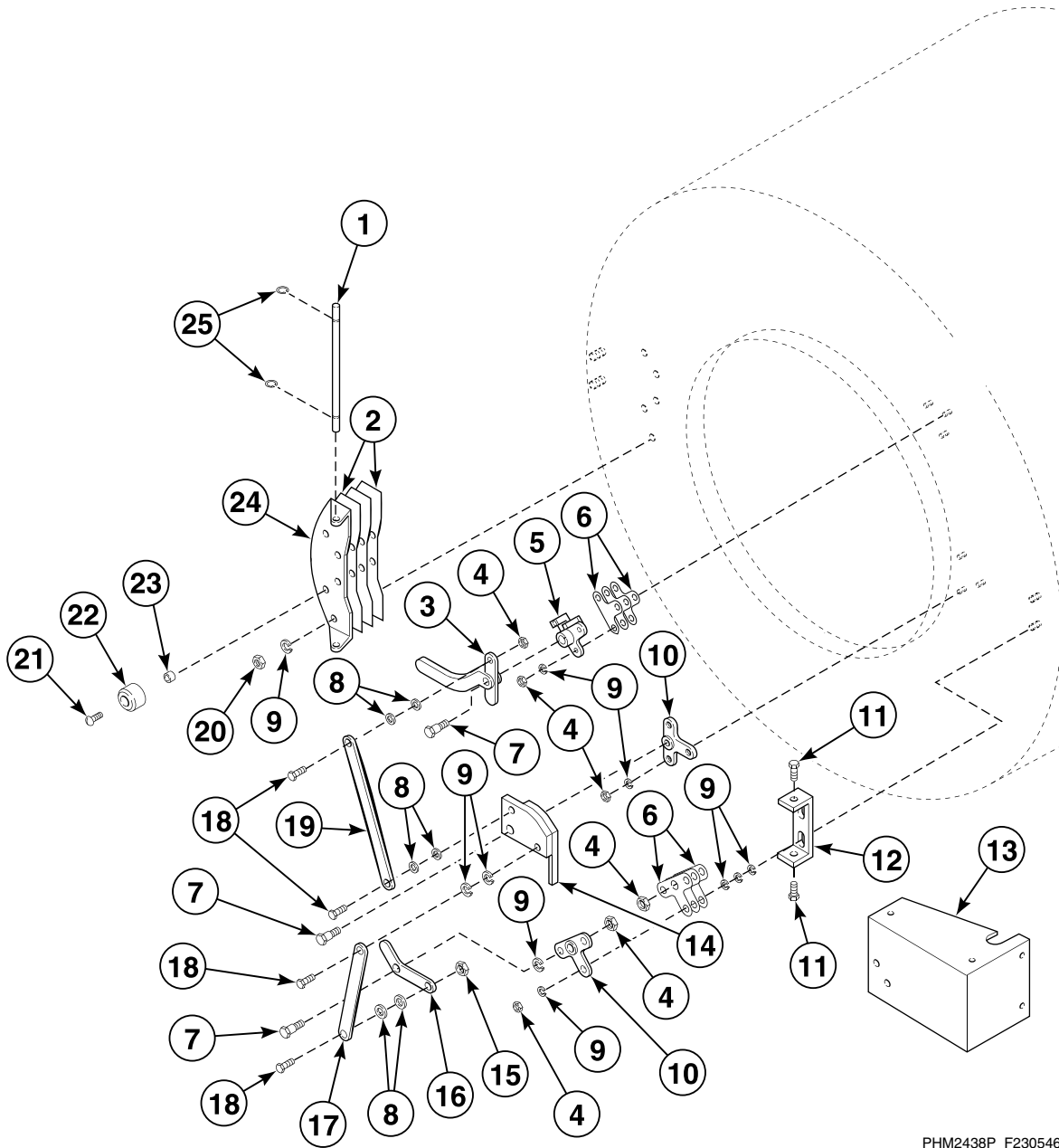


PHM2437P_F230546

Door Assembly - 1 Door Box (Drawing 1 of 2)

REF	PART NO.	DESCRIPTION	COMMENTS
1	F150233	Door Butt	
2	F431100	Washer	
3	F431026	Nut	
4	F610363	Spray Rinse Tube Assembly	
5	F430917	Screw	
6	F602880	Spray Rinse Strap	
7	F310206	Ring Retainer	
8	F422108	Swivel Coupling	
9	F170200	O-Ring	
10	F610068	Hose	
11	F602901P	Spray Rinse Bracket Assembly	Includes items 5 and 12
12	F431022	Nut	
13	F422109	No-Swivel Coupling	
14	F730023	Spray Rinse Hose Kit	Includes items 7-10 and 13
15	F422319	Elbow	
16	F730077	Spray Rinse Nozzle Kit	Includes F431905 Washer, F170201 O-Ring and F380301 Spray Rinse Nozzle
17	F320102	Door Retainer Spinning	
18	F170115	Door Glass Gasket	
19	F290204P	Door Glass Kit	
20	F431100	Washer	
21	F431026	Nut	
22	F430916	Screw	
23	F634416	Door Handle	
24	F340703	Magnet	
25	F430231	Nut	
26	F634678	Studded Door Assembly	
27	F170162	Door Gasket	

Door Assembly - 1 Door Box (Drawing 2 of 2)

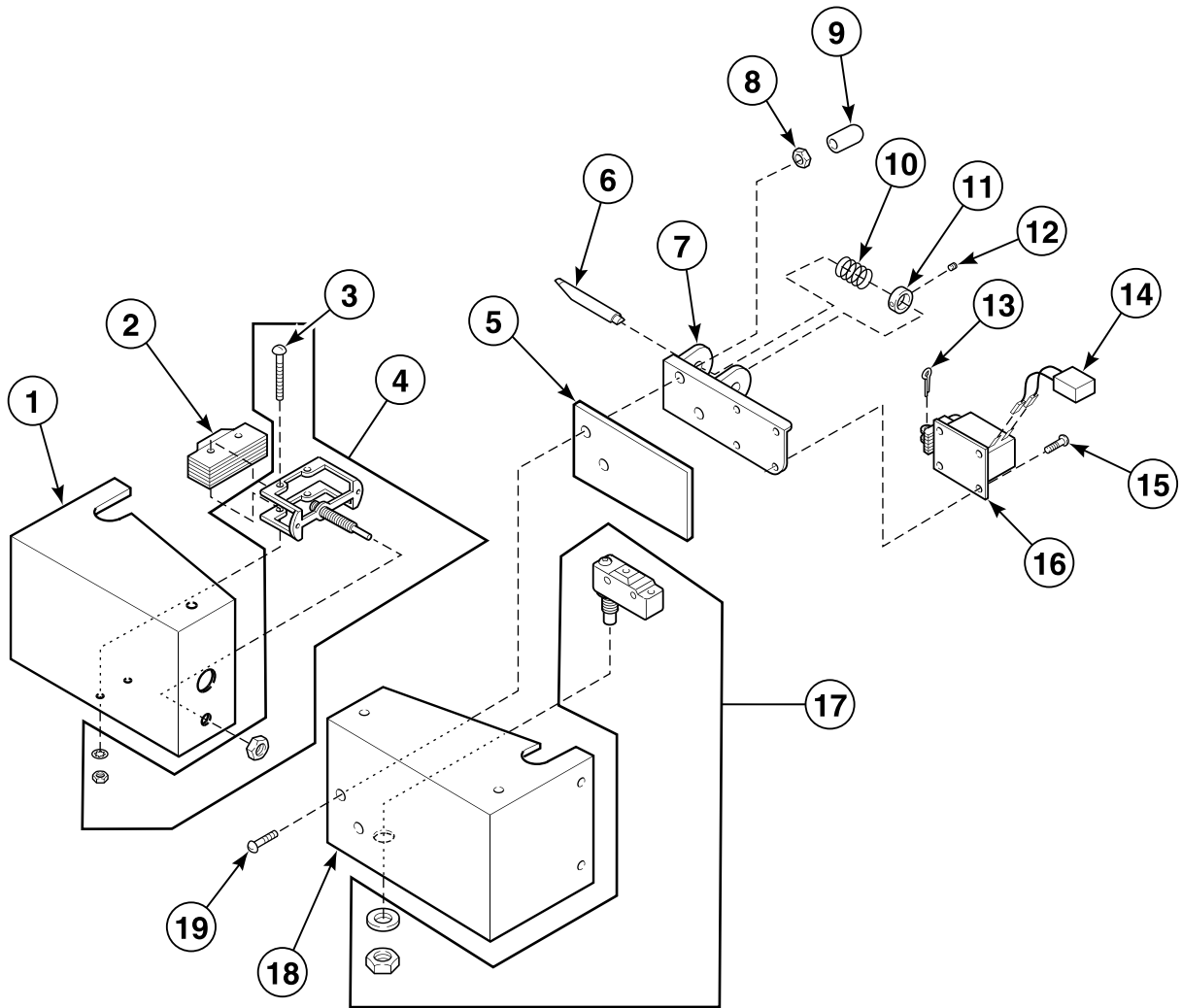


PHM2438P_F230546

Door Assembly - 1 Door Box (Drawing 2 of 2)

REF	PART NO.	DESCRIPTION	COMMENTS
1	F432307	Door Hinge Pin	
2	F601948	Door Butt Shim	
3	F150203	Door Handle Casting	
4	F431118	Washer	
5	F150201	Top Latch Bracket Casting	
6	F602058	Door Latch Bracket Shim	
7	F430168	Screw	
8	F431026	Nut	
9	F431100	Washer	
10	F150202	Lower Door Latch Bracket Casting	
11	F430904	Screw	
12	F601129	Door Box Mounting Bracket	
13	F634822	Door Box Assembly	Right
14	F608803	Door Lock Pivot Plate	
15	F430205	Nut	
16	F150204	Lower Door Latch Casting	
17	F610220	Door Extension Arm	Lower; Short
18	F430927	Screw	
19	F610221	Door Extension Arm	Upper; Long
20	F431005	Nut	
21	F430103	Screw	
22	F150366	Door Bumper Moulding	
23	F430416	Door Bumper Bushing	
24	F150228	Door Hinge	
25	F310215	Retaining Ring	

2 Door Box Assembly - Solenoid without Plunger Style

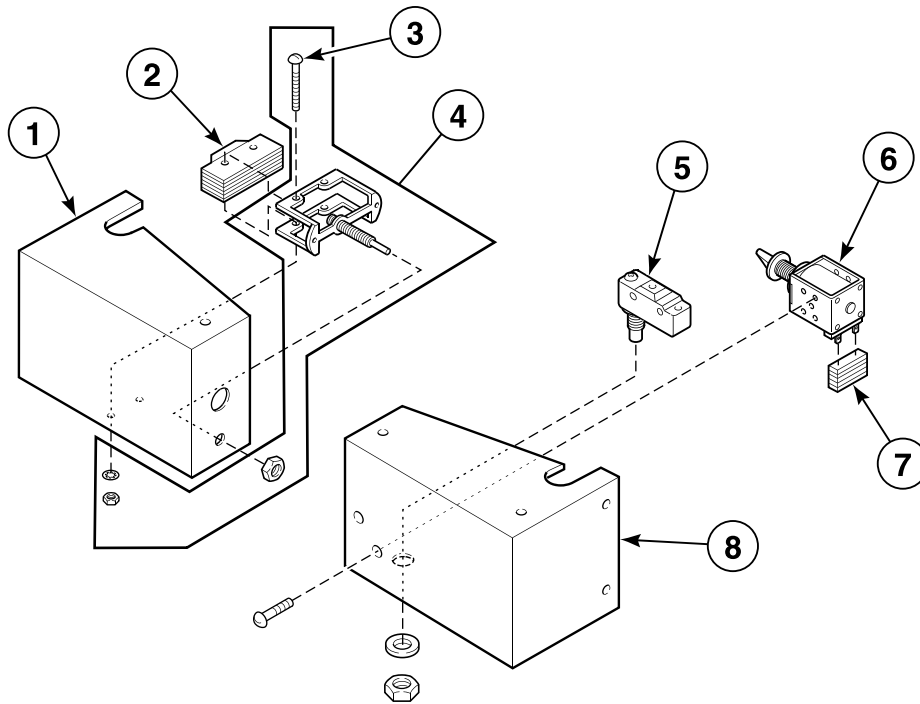


PHM2096P_F230546

2 Door Box Assembly - Solenoid without Plunger Style

REF	PART NO.	DESCRIPTION	COMMENTS
1	F601706	Door Box	Left
2	F340901	Door Hinge Switch	
3	F430995	Screw	
4	F340913	Switch Extension	Includes item 3, nuts and washer
5	F170135	Door Lock Gasket	
6	F601081	Door Lock Plunger	
7	F150200	Bracket Casting	
8	F430211	Nut	
9	F190300	Cap	
10	F310119	Door Lock Solenoid Spring	
11	F150288	Door Lock Collar	
12	F430502	Screw	
13	F431201	Cotter Pin	
14	F330217P	RC Network Filter	Includes F140627 Connector and F141022 Connector
15	F430917	Screw	
16	F300101P	Door Solenoid	120 Volt
17	F340900	Interlock Switch	Includes washer and nut
18	F601707	Door Box	Right
19	F430925	Screw	

2 Door Box Assembly - Solenoid with Plunger Style

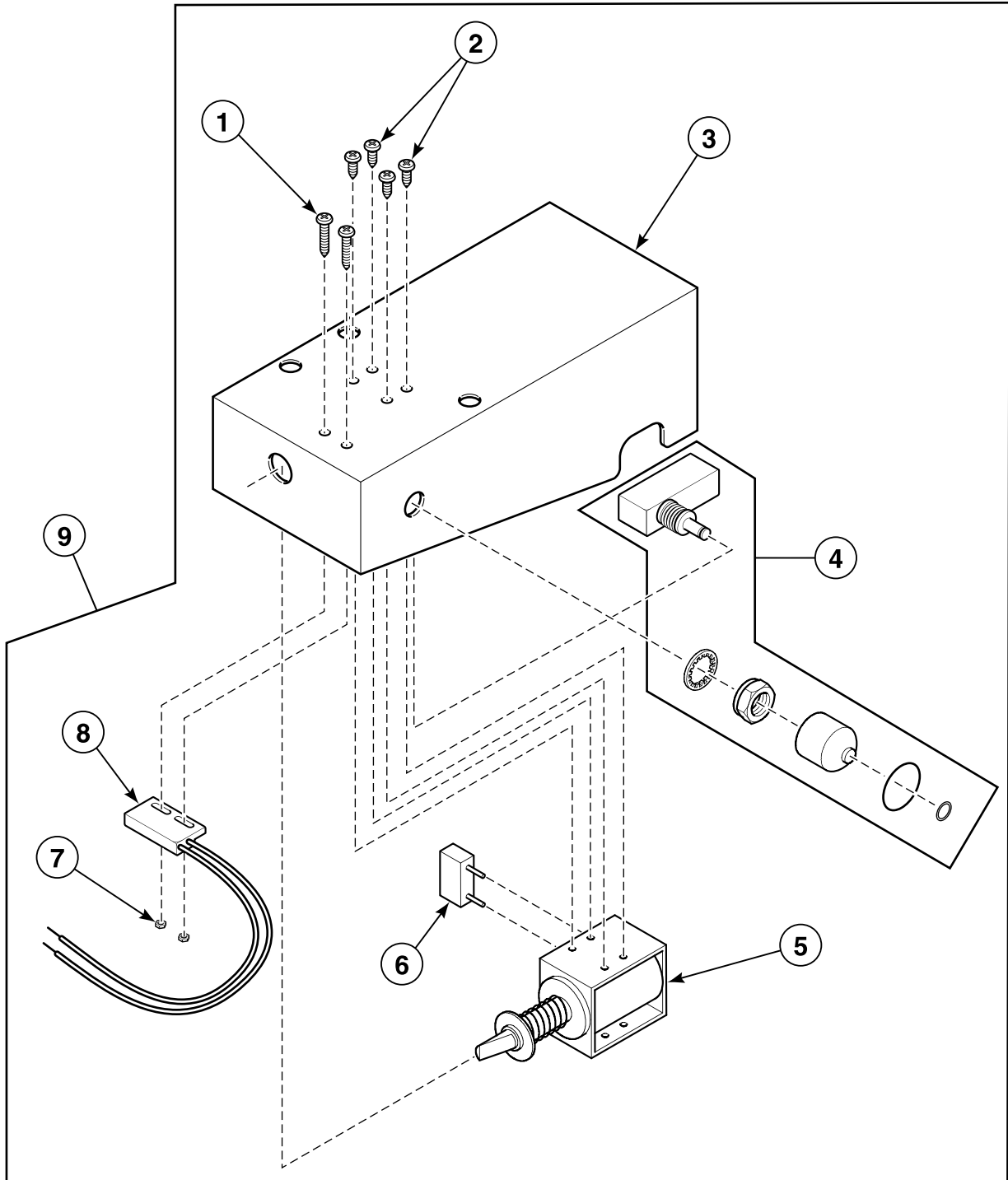


PHM2097P_F230546

2 Door Box Assembly - Solenoid with Plunger Style

REF	PART NO.	DESCRIPTION	COMMENTS
1	F601706	Door Box	Left
2	F340901	Door Hinge Switch	
3	F430995	Screw	
4	F340913	Switch Extension	Includes item 3, washer and nuts
5	F340900	Interlock Switch	Includes washer and nut
6	F300118P	Door Lock Solenoid	120 Volt
7	F330217P	RC Network Filter	Includes F140627 Connector and F141022 Connector
8	F601707	Door Box	Right

1 Door Box Assembly

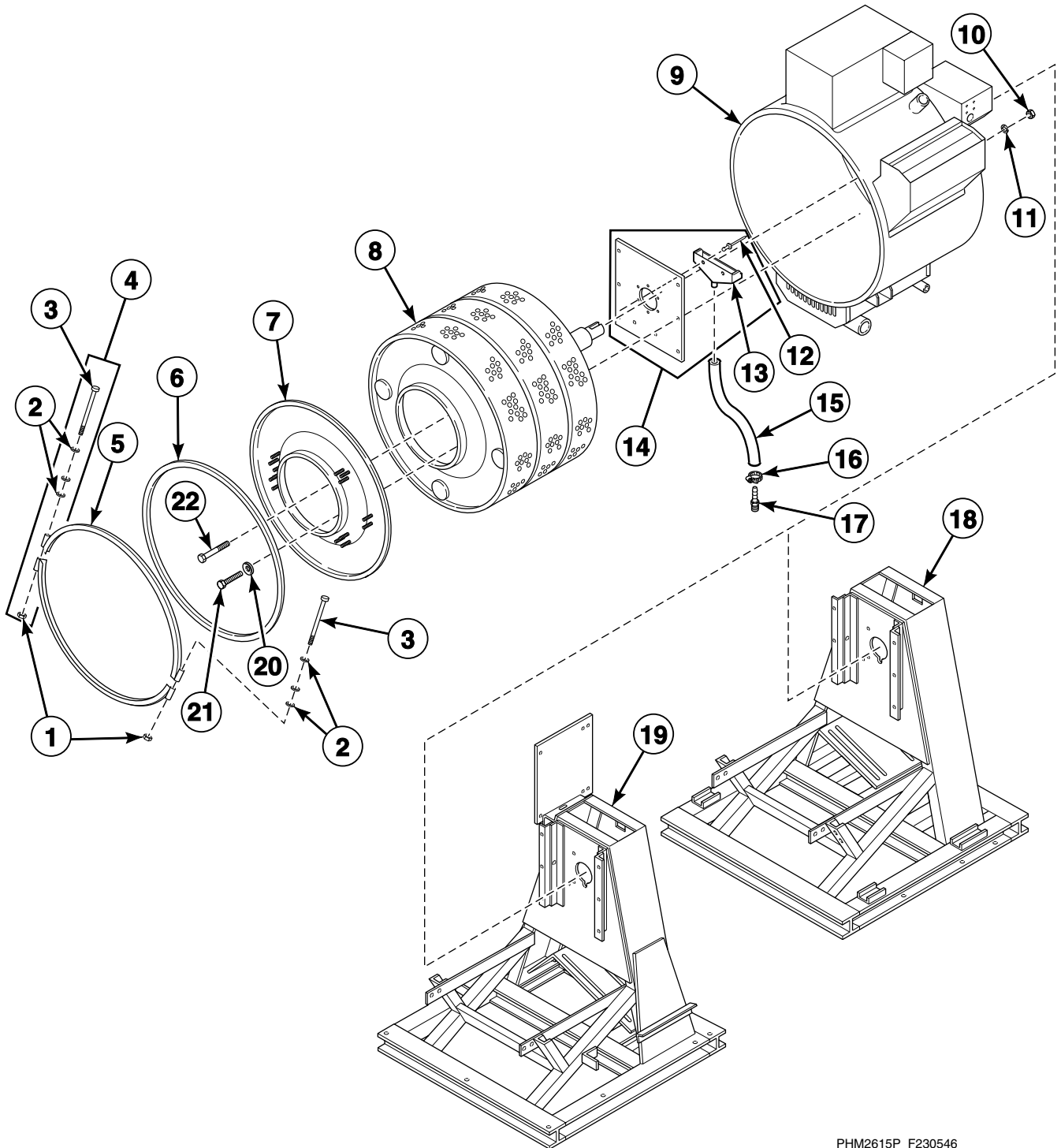


PHM2238P_F230546

1 Door Box Assembly

REF	PART NO.	DESCRIPTION	COMMENTS
1	F430928	Screw	
2	F430995	Screw	
3	F634415	Door Box	
4	F340906	Microswitch	
5	F300118P	Door Lock Solenoid	120 Volt
	F300129P	Door Lock Solenoid	220 Volt
6	F330217P	RC Network Filter	Includes F140627 Connector and F141022 Connector
7	F430231	Nut	
8	F0340723-00	Magnetic Switch	
9	F634822	Door Box Assembly	Includes items 1-8; 120 Volt
	F634822-1	Door Box Assembly	Includes items 1-8; 220 Volt

Basket, Shell and Frame

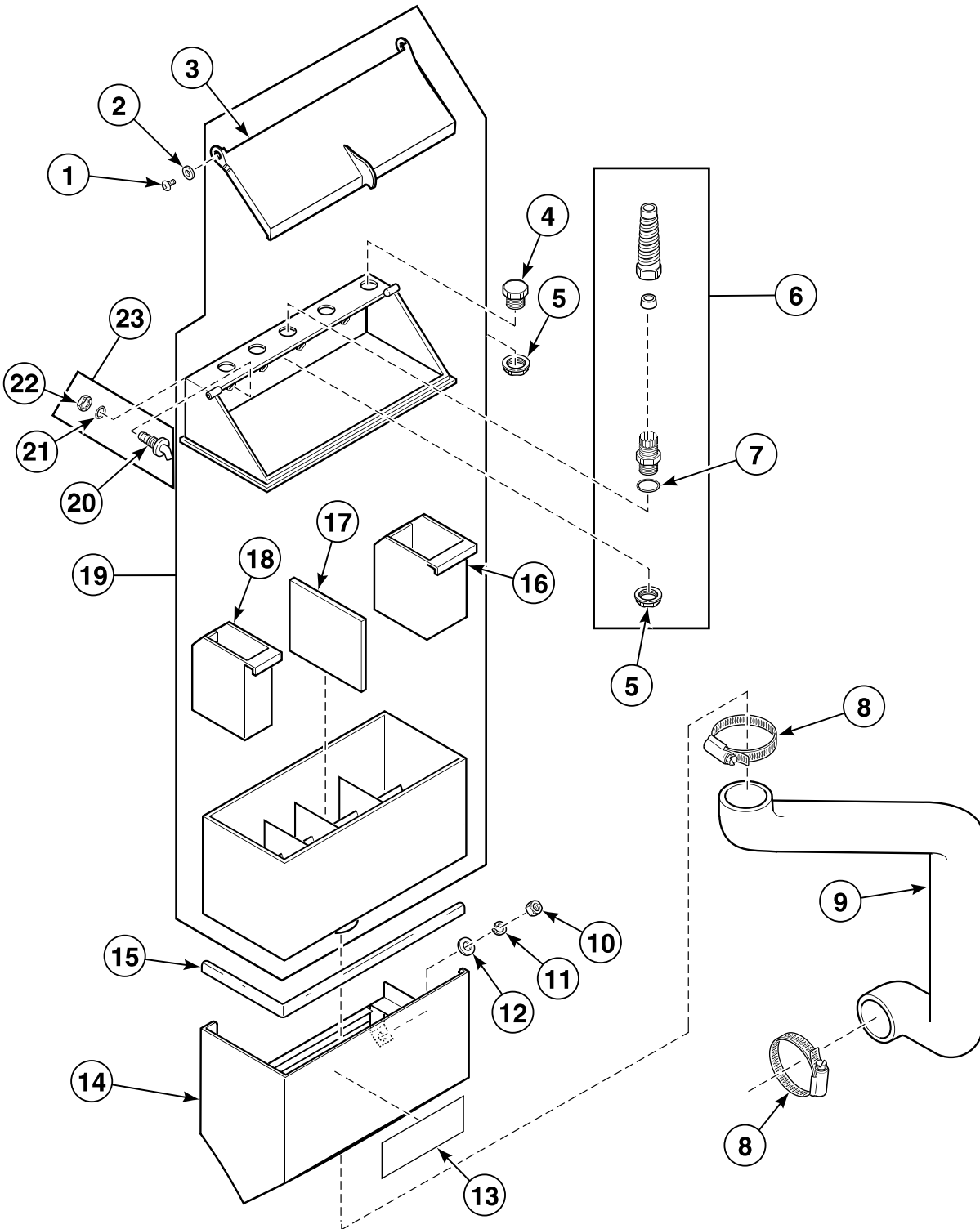


PHM2615P_F230546

Basket, Shell and Frame

REF	PART NO.	DESCRIPTION	COMMENTS
1	F430215	Nut	
2	F430317	Washer	
3	F430518	Screw	
4	F791001	Shell Band Fastener Kit	Includes items 1-3; 2 required per shell band assembly
5	F603630	Shell Band Assembly	2 required
6	F170120RP	Shell Band Gasket	
7	F608747	Shell Front Weldment	2 door box models
	F634677	Shell Front Weldment	1 door box models
8	F603686-1	Basket Assembly	
9	F634440	Shell Weldment	Standard models
	F741020-10	Pinch Drain Shell Kit	
10	F430212	Nut	
11	F430321	Washer	
12	F431210	Pop Rivet	
13	F150389	Scupper	
14	F604051	Shell Plate Assembly	Includes items 12 and 13
15	F200107P	Water Hose	
16	36801	Hose Clamp	No. 6
17	F421929	Hose Barb	
18	F601754-1	Frame Assembly	Design 1-3 models
19	F063402100	Frame Weldment	Design 4 models
20	F431116	Washer	
21	F430924	Screw	
22	F430992	Screw	

New Style Supply Dispenser

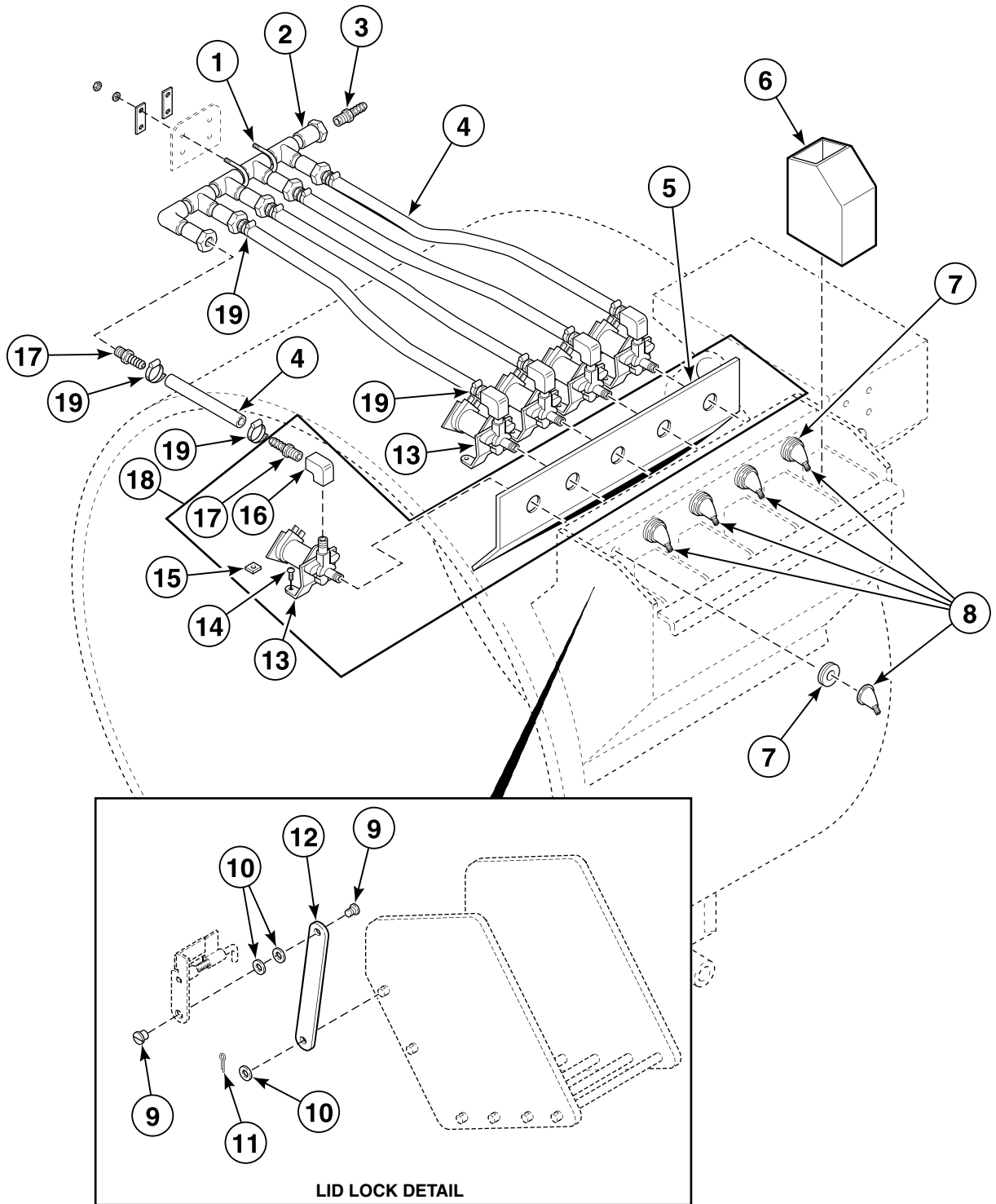


PHM2258P_F230546

New Style Supply Dispenser

REF	PART NO.	DESCRIPTION	COMMENTS
1	F430917	Screw	
2	F431133	Washer	
3	F0150514-00	Dispenser Lid	
4	F190304	Plug Cap	
5	F140340P	Strain Relief Connector	
6	F749802	Strain Relief Adapter Kit	Includes items 5, 7 and F170165 Plug
7	F170215	O-Ring	
8	F200213	Hose Clamp	No. 40
9	F150487	Chemical Supply Hose	
10	F431005	Nut	
11	F431100	Washer	
12	F431147	Washer	
13	F231436	Supply Dispenser Hazard Caution Decal	
14	F8024303	Dispenser Shroud Weldment	
15	F170400RP	Trim	
16	F150386	Chemical Supply Cup	32 ounce
17	F0150525-00	Supply Dispenser Spacer	
18	F150385	Chemical Supply Cup	20 ounce
19	F0150512-00P	Dispenser Assembly	Includes items 3 and 16-18
20	F380300	Injection Nozzle	
21	F170208	O-Ring	
22	F430224	Nut	
23	F730168	Injection Nozzle Kit	Includes items 20-22

Old Style Supply Dispenser with Horton Valve

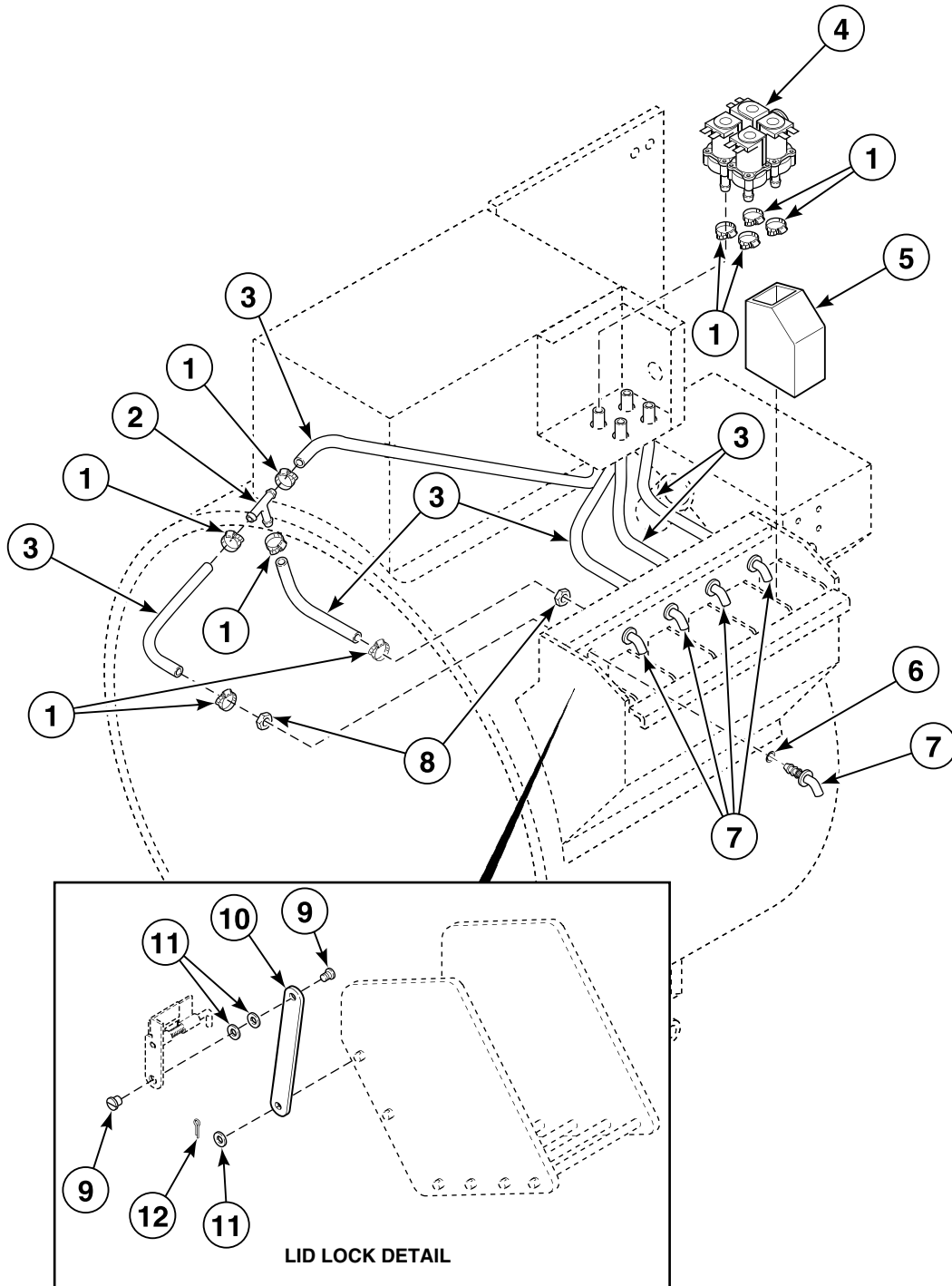


PHM2098P_F230546

Old Style Supply Dispenser with Horton Valve

REF	PART NO.	DESCRIPTION	COMMENTS
1	F200401P	U-Bolt Clamp	Includes hardware
2	F603084	Soap Dispenser Manifold Assembly	
3	F421934	Hose Barb	
4	F200107P	Water Hose	
5	F601795	Soap Dispenser Shelf	
6	F603413	Soap Supply Cup	64 ounce
7	F140910	Insulator Bushing	
8	F422310	Street Elbow	
9	F730087	Post and Screw Kit	Includes F430147 Rivet Post, F430986 Screw, F431104 Washer and F431106 Washer
10	F431123	Washer	
11	F431202	Cotter Pin	
12	F601792	Soap Dispenser Link Arm	
13	F380708P	Solenoid Valve	120 Volt
	F380709P	Solenoid Valve	240 Volt
14	F430956	Screw	
15	F430264	Nut	Tinnerman
16	F422318	Elbow	
17	F421929	Hose Barb	
18	F604602P	Supply Valve Manifold Assembly	120 Volt; Includes items 5, 13-17, F430174 Screw and J1188192 Pipe Elbow
19	36801	Hose Clamp	No. 6

Old Style Supply Dispenser with Mueller Valve



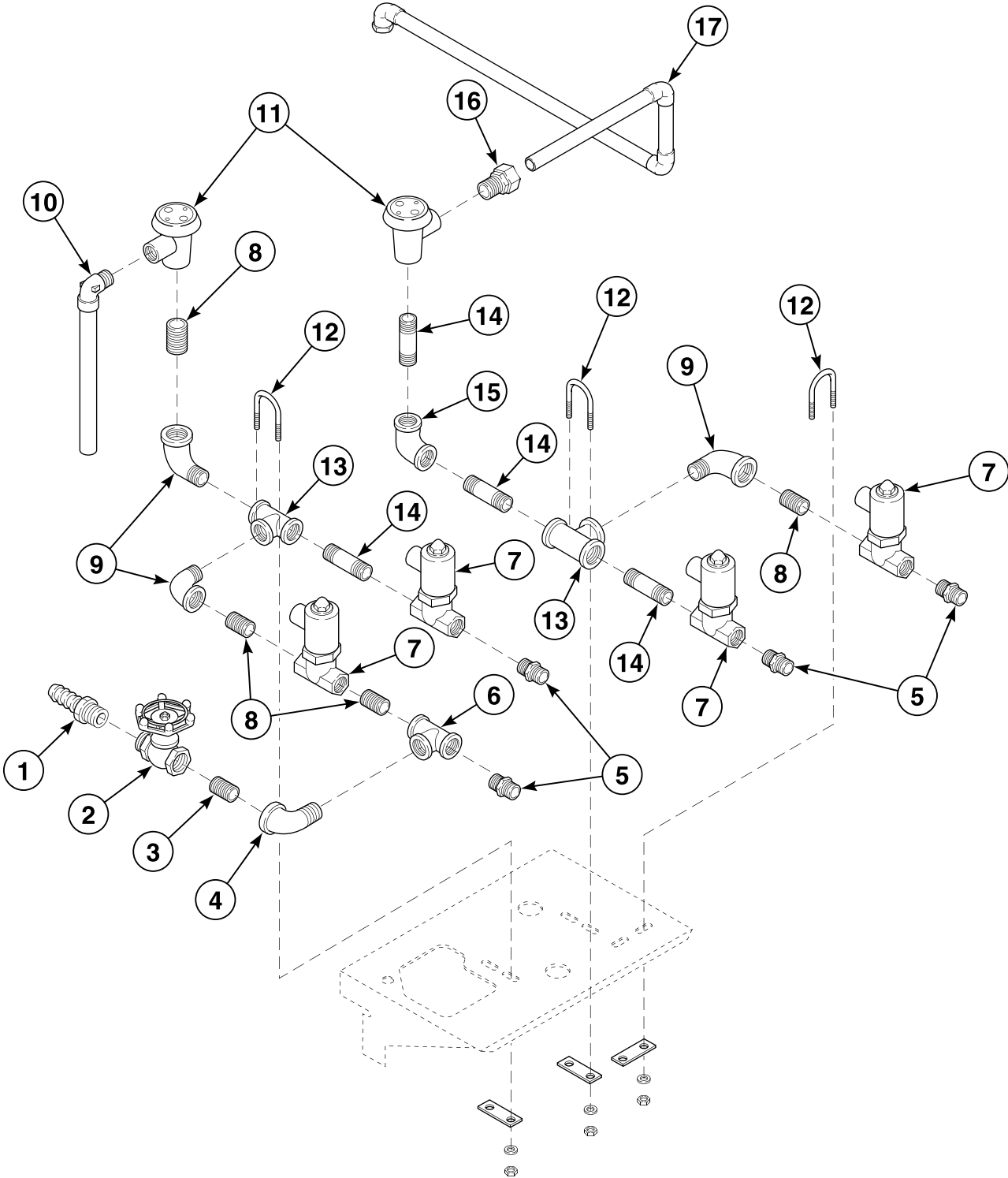
PHM2099P_F230546

Old Style Supply Dispenser with Mueller Valve

REF	PART NO.	DESCRIPTION	COMMENTS
1	36801	Hose Clamp	No. 6
2	F422808	Y Connector	
3	F200107P	Water Hose	
4	F380715P	4-Way Valve	120 Volt
	N/A	Valve Repair Kit	
5	F603413	Soap Supply Cup	
6	F170208	O-Ring	
7	F730168	Injection Nozzle Kit	Includes items 6-8
	F380300	Injection Nozzle	
8	F430224	Nut	
9	F730087	Post and Screw Kit	Includes F430147 Rivet Post, F430986 Screw, F431104 Washer and F431106 Washer
10	F601792	Soap Dispenser Link Arm	
11	F431123	Washer	
12	F431202	Cotter Pin	

N/A = Part no longer available

Spray and Fill Plumbing Assembly with 3/4-Inch Hays Valves

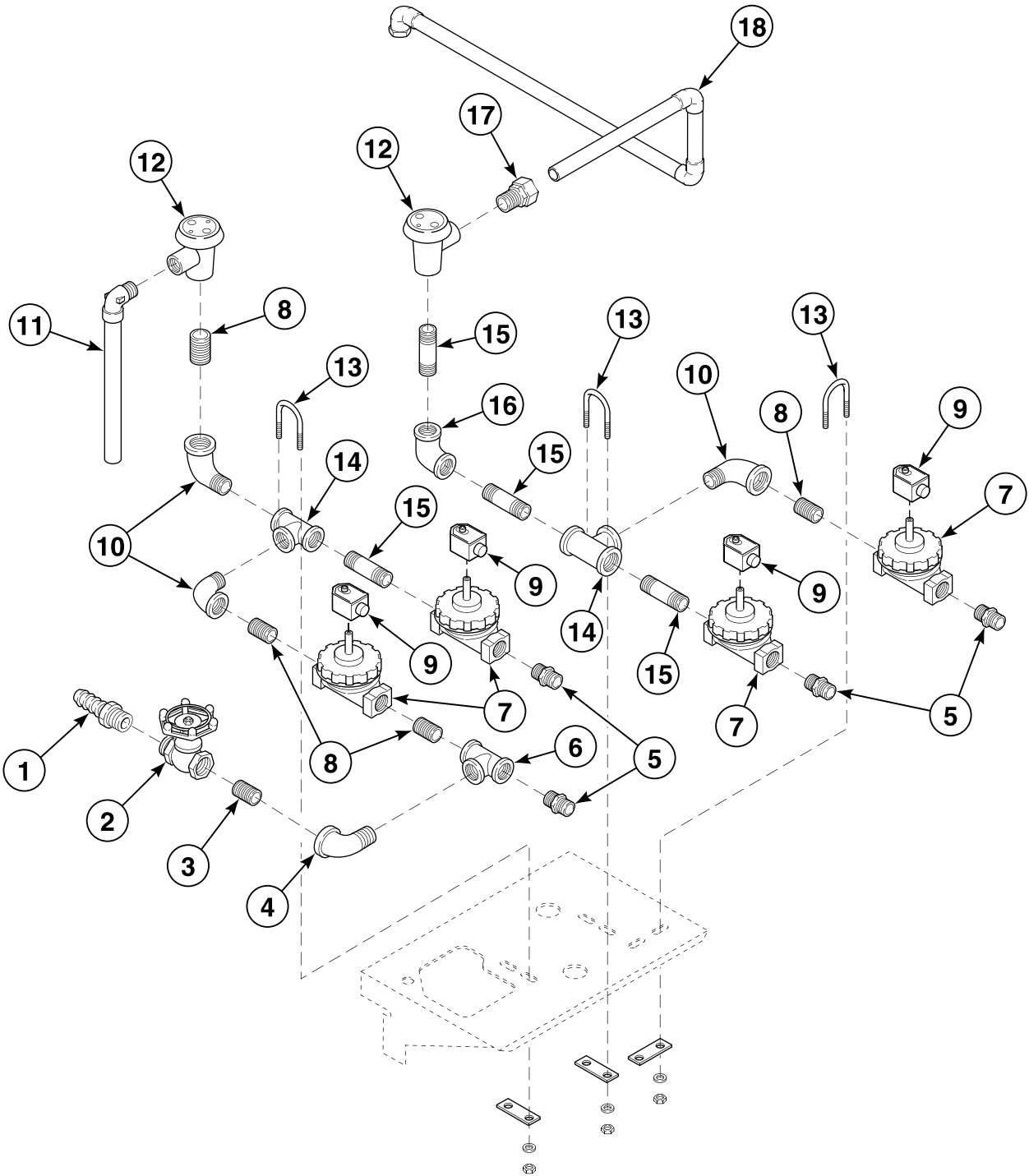


PHM2708P_F230546

Spray and Fill Plumbing Assembly with 3/4-Inch Hays Valves

REF	PART NO.	DESCRIPTION	COMMENTS
1	F421930	Hose Barb	
2	F380500	Gate Valve	
3	F420101	Nipple	
4	F420500	Street Elbow	
5	F421909	Hose Adapter	
6	F420402	Tee	
7	F380702P	Solenoid Valve	120 Volt
	F380703P	Valve	240 Volt
	F380915P	Repair Kit	
8	F420105	Nipple	
9	F420502	Street Elbow	
10	F610260	Top Fill Assembly	
11	F380800P	Vacuum Breaker Valve	3/4 inch
	F380965P	Repair Kit	3/4 inch
12	F200402	U-Bolt Clamp	Includes hardware
13	F420403	Tee	
14	F420107	Nipple	
15	F420503	Elbow	
16	F422106	Tube Connector	
17	F610363	Spray Rinse Tube Assembly	

Spray and Fill Plumbing Assembly with 3/4-Inch Parker Valves

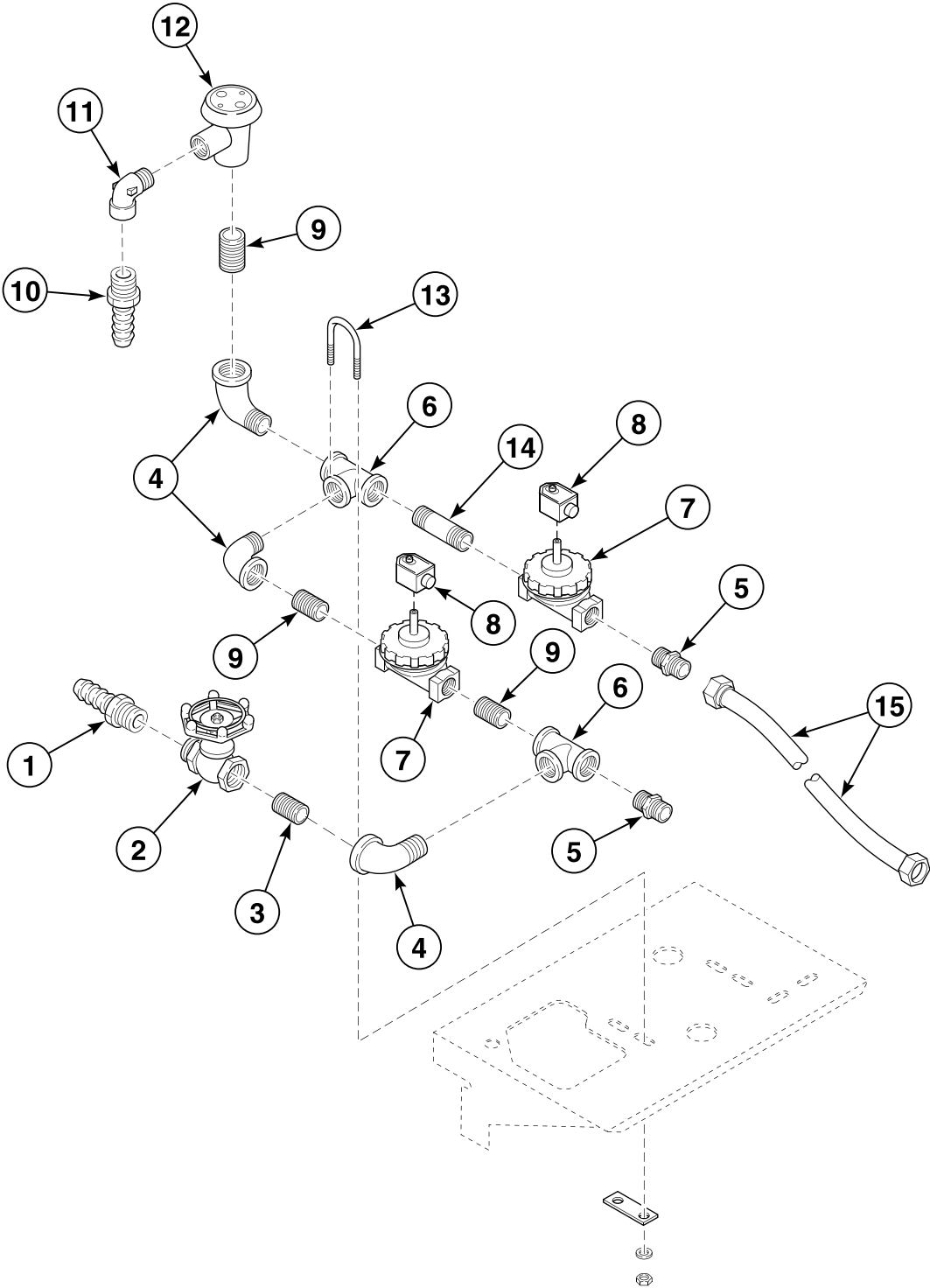


PHM2709P_F230546

Spray and Fill Plumbing Assembly with 3/4-Inch Parker Valves

REF	PART NO.	DESCRIPTION	COMMENTS
1	F421930	Hose Barb	
2	F380500	Gate Valve	
3	F420101	Nipple	
4	F420500	Street Elbow	
5	F421909	Hose Adapter	
6	F420402	Tee	
7	F381700P	Valve	120 Volt; F380991P Water Valve Repair Kit
	F381701P	Valve	220 Volt; F380991P Water Valve Repair Kit
8	F420105	Nipple	
9	F380986P	DIN Coil	120 Volt; F141901 DIN Harness
	F380987P	DIN Coil	220 Volt; F141901 DIN Harness
10	F420502	Street Elbow	
11	F610260	Top Fill Assembly	
12	F380800P	Vacuum Breaker Valve	3/4 inch
	F380965P	Repair Kit	3/4 inch
13	F200402	U-Bolt Clamp	Includes hardware
14	F420403	Tee	
15	F420107	Nipple	
16	F420503	Elbow	
17	F422106	Tube Connector	
18	F610363	Spray Rinse Tube Assembly	

Spray and Fill Plumbing Assembly with 1-Inch Parker Valves



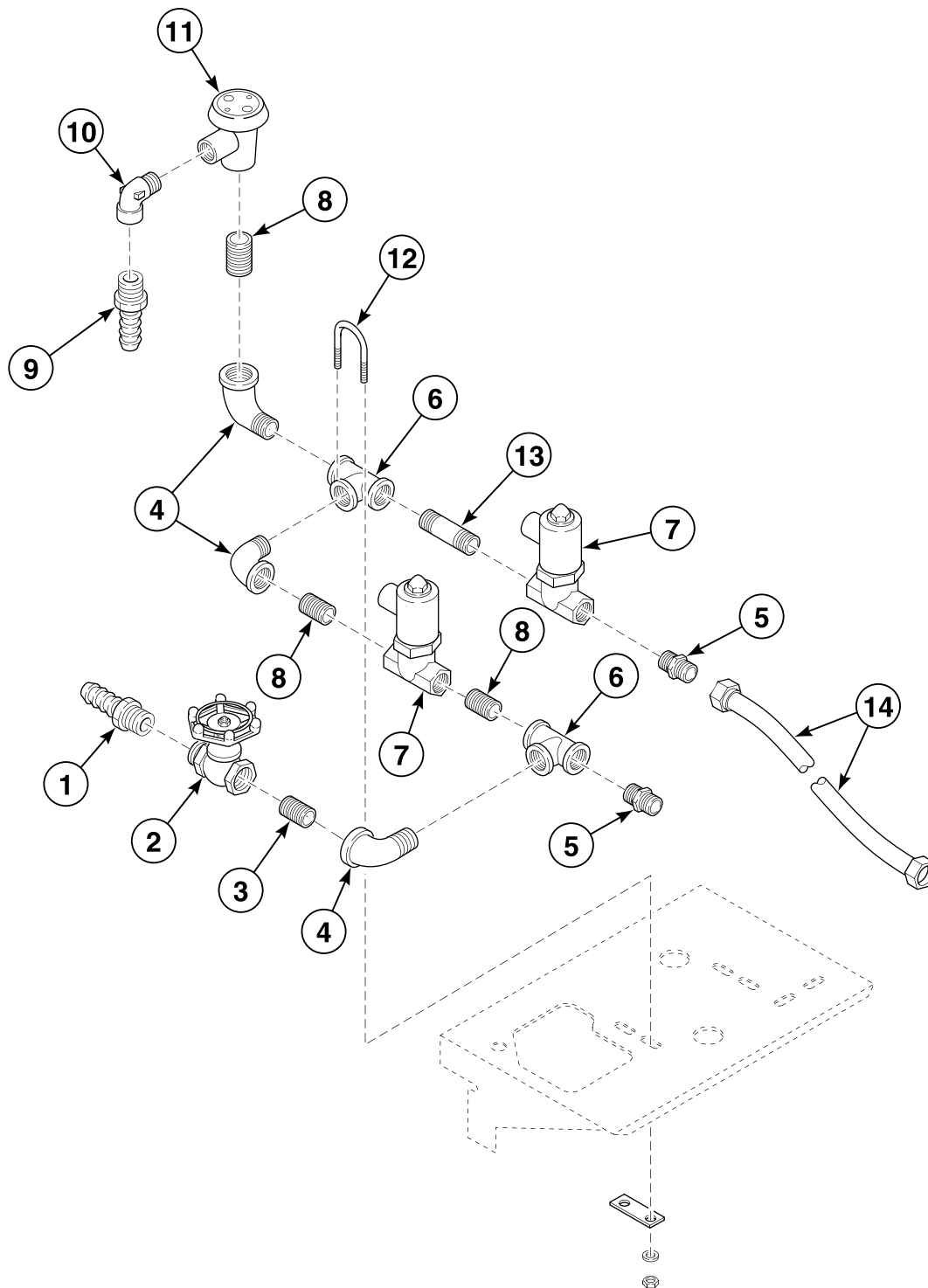
PHM1994P_F230546

Spray and Fill Plumbing Assembly with 1-Inch Parker Valves

REF	PART NO.	DESCRIPTION	COMMENTS
1	F421930	Hose Barb	
2	F380500	Gate Valve	
3	F420101	Nipple	
4	F420500	Street Elbow	
5	F421948	Nipple	
6	F420410	Tee	
7	F381727P	Valve	120 Volt; 1 inch
	F381733P	Valve	220 Volt; 1 inch
	F0381007P	Water Valve Repair Kit	
8	F380986P	DIN Coil	120 Volt; F141901 DIN Harness
	F380987P	DIN Coil	220 Volt; F141901 DIN Harness
9	N/A	Nipple	
10	N/A	Hose Barb	
11	N/A	Elbow	
12	F380800P	Vacuum Breaker Valve	3/4 inch
	F380965P	Repair Kit	3/4 inch
13	N/A	U-Bolt Clamp	Includes hardware
14	F420138	Nipple	
15	F200187	Water Hose	

N/A = Part no longer available

Spray and Fill Plumbing Assembly with 1 1/4-Inch Hays Valves



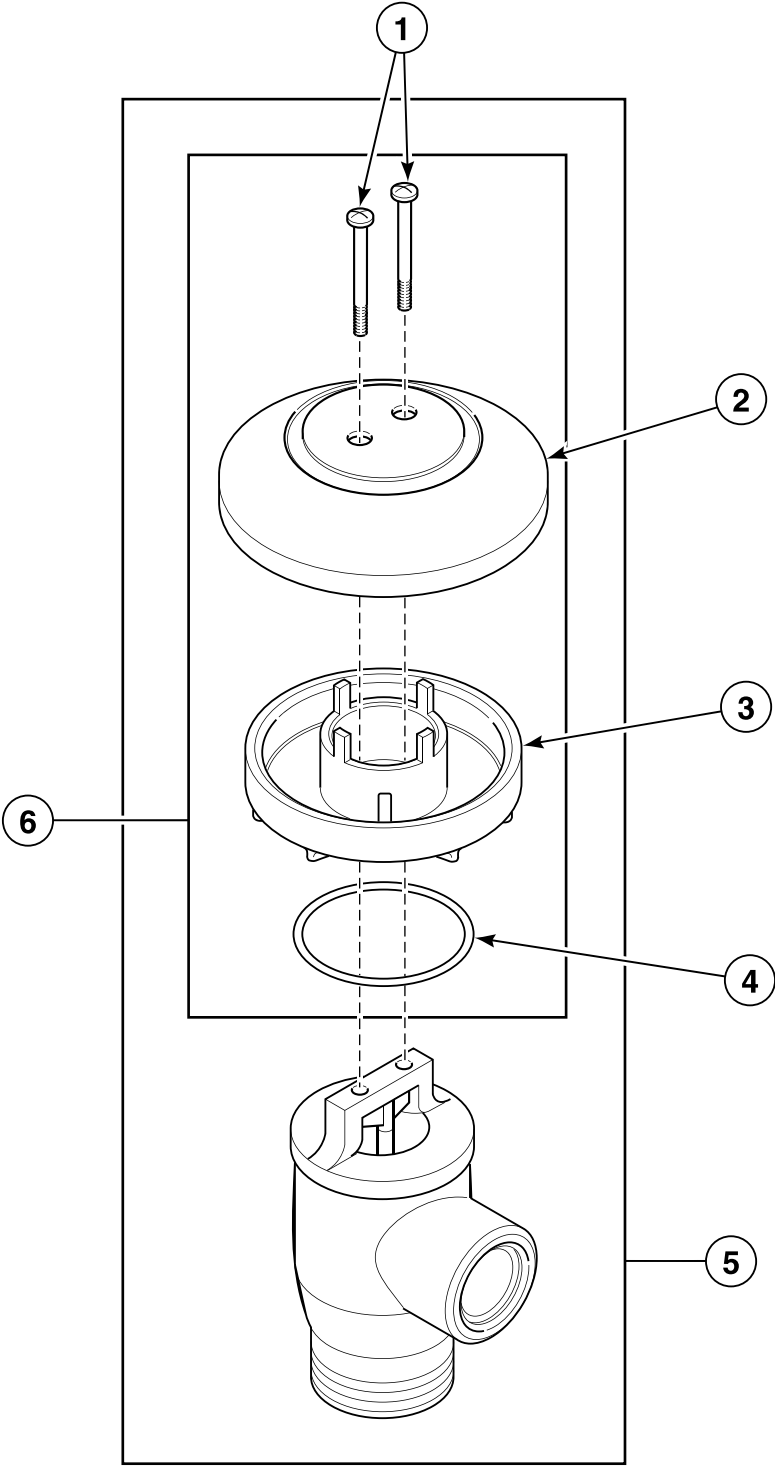
P119P_F230546

Spray and Fill Plumbing Assembly with 1 1/4-Inch Hays Valves

REF	PART NO.	DESCRIPTION	COMMENTS
1	F421930	Hose Barb	
2	F380500	Gate Valve	
3	F420101	Nipple	
4	F420500	Street Elbow	
5	F421948	Nipple	
6	F420410	Tee	
7	F380724P	Solenoid Valve	120 Volt
	N/A	Fill Valve	220 Volt
	F380947P	Repair Kit	F380948 Piston is not included with the repair kit
8	N/A	Nipple	
9	N/A	Hose Barb	
10	N/A	Elbow	
11	F380802	Antisiphon Valve	1 1/4 inch
	F380966P	Repair Kit	1 1/4 inch
12	N/A	U-Bolt Clamp	Includes hardware
13	F420138	Nipple	
14	F200187	Water Hose	

N/A = Part no longer available

Vacuum Breaker Assembly with Leak Containment Kit

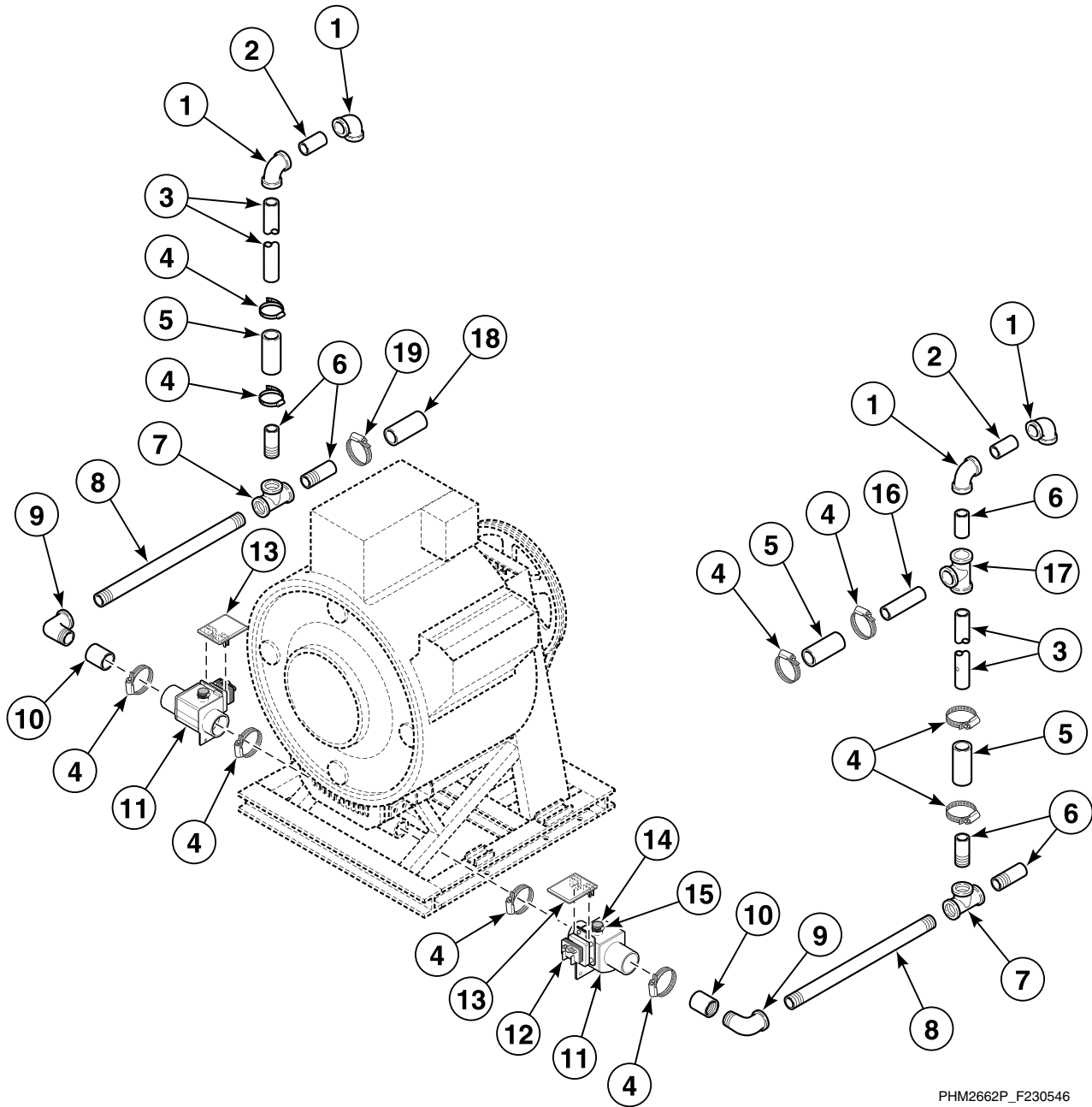


PHM2208P_F230546

Vacuum Breaker Assembly with Leak Containment Kit

REF	PART NO.	DESCRIPTION	COMMENTS
1	F430938	Screw	
2	F0380808-00	Vacuum Breaker Cap	
3	F0380809-00	Containment Device	
4	F0170221-00	O-Ring	
5	F063754701P	Vacuum Breaker Valve	3/4 inch; F380965P Repair Kit; Includes items 1-4
6	F0798922-00	Vacuum Breaker Kit	Includes items 1-4

Drain Valve and Plumbing



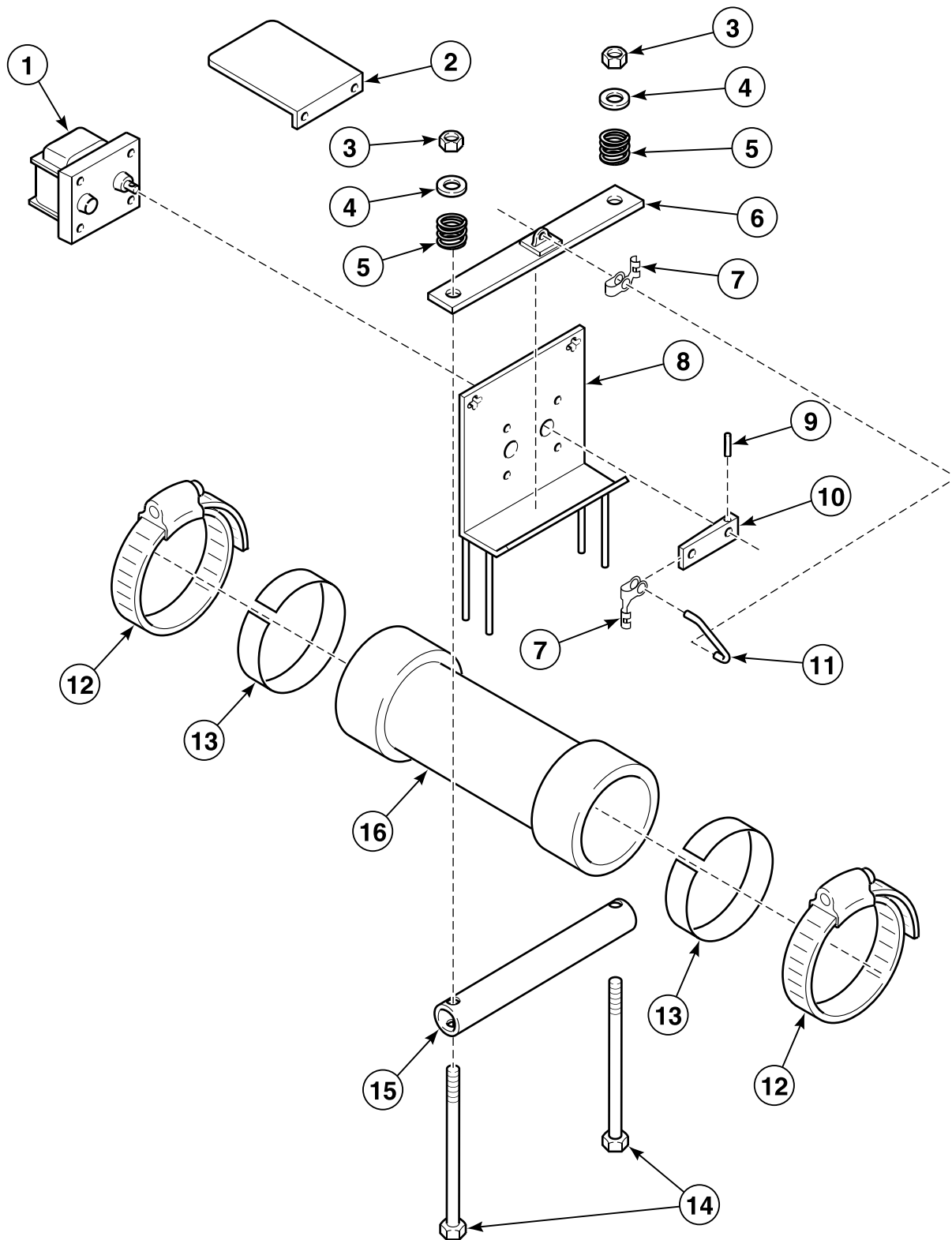
PHM2662P_F230546

Drain Valve and Plumbing

REF	PART NO.	DESCRIPTION	COMMENTS
1	F422900	Elbow	
2	N/A	Pipe	
3	F0602364-29	Pipe	
4	F200213	Hose Clamp	No. 40
5	F200105	Hose	Order 3 feet
6	F420112	Nipple	
7	N/A	Tee	
8	F420115	Nipple	
9	N/A	Street Elbow	
10	F420301	Coupling	
11	F038062800	Drain Valve	120 Volt; With overflow
	F200166302	Drain Valve Kit	120 Volt; Without overflow; Includes item 13
	N/A	Drain Valve	120 Volt; Without overflow
	F200166403	Drain Valve Kit	220 Volt; Without overflow; Includes item 13
	N/A	Drain Valve	220 Volt; Without overflow
12	F380932P	Drain Valve Motor	120 Volt; Round shaft
	F380943P	Drain Motor	120 Volt; Keyed shaft
	F380933P	Drain Valve Motor	220 Volt; Round shaft
13	F200133600	Drain Valve Cover	
14	F150352	Overflow Plug	Used with F038062800 Drain Valve
15	F200215	Hose Clamp	No. 28; Used with F0380628 Drain Valve
16	F610033	Pipe	
17	F422801	Tee	
18	F610376P	Drain Hose	
19	F200201	Hose Clamp	No. 56

N/A = Part no longer available

Drain Valve



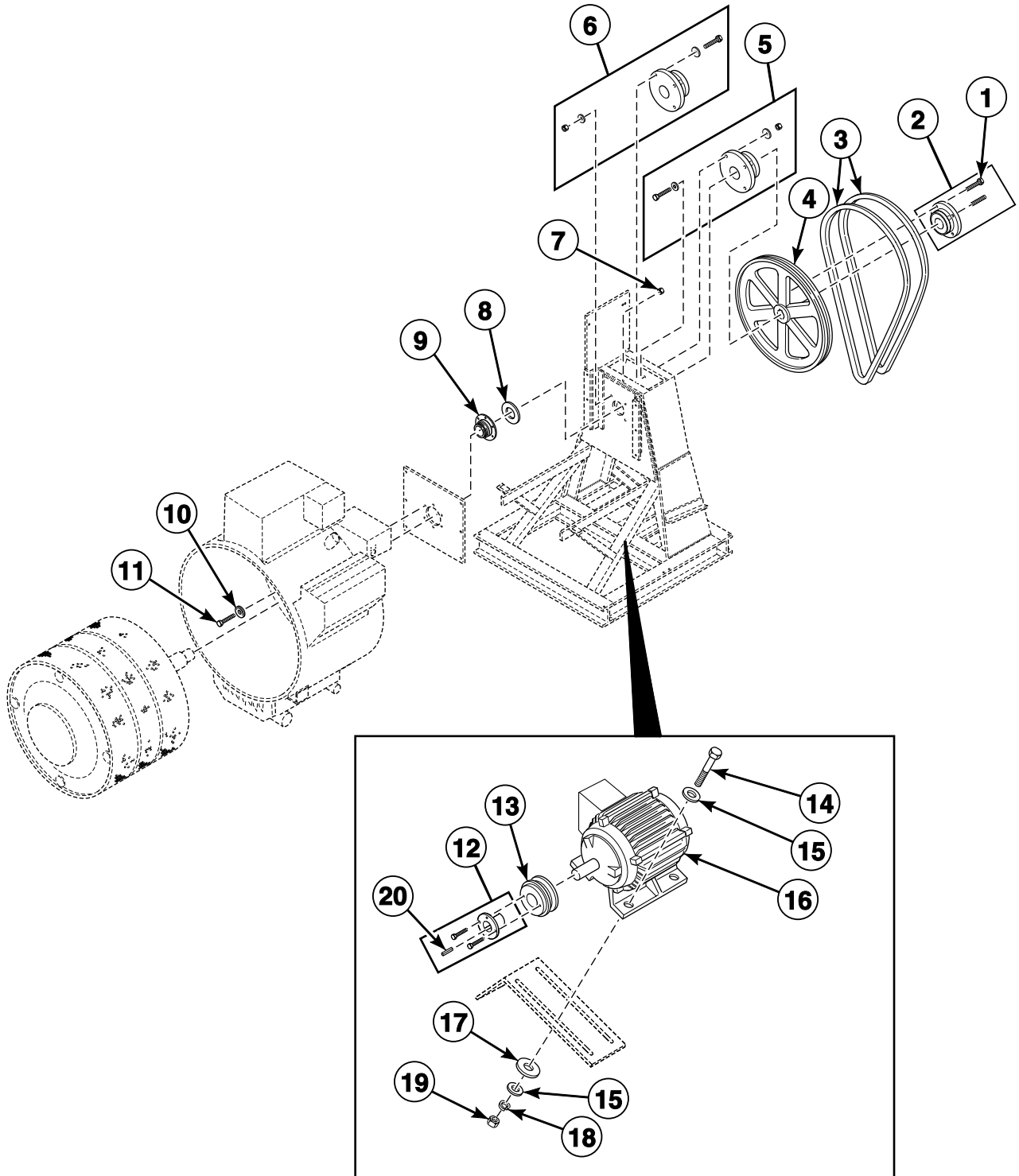
PHM2101P_F230546

Drain Valve

REF	PART NO.	DESCRIPTION	COMMENTS
	F0798776-00	Drain Conversion Kit	120 Volt; Convert to ball drain valve; Includes F150352 Overflow Plug, F0150399-00 Drain Hose, F038062800 Drain Valve, F200201 Hose Clamp (No. 56) and F200215 Hose Clamp (No. 28)
	F0798775-00	Drain Conversion Kit	220 Volt; Convert to ball drain valve; Includes F038062900 Drain Valve, F150352 Overflow Plug, F0150399-00 Drain Hose, F200201 Hose Clamp (No. 56) and F200215 Hose Clamp (No. 28)
1	F380932P	Drain Valve Motor	120 Volt
	F380933P	Drain Valve Motor	220 Volt
2	F602372	Drain Valve Motor Cover	
3	F430215	Nut	
4	F430317	Washer	
5	F310101	Spring	
6	N/A	Drain Valve Lift Bar Assembly	Must install drain conversion kit
7	F431205	Rod End Clip	
8	F602101	Drain Lift Tube	
9	H88900683	Spring Pin	
10	F602222	Drain Valve Motor Arm	
11	F602274	Drain Valve Motor Linkage	
12	F200201	Hose Clamp	No. 56
13	F601244	Chafe Strip	
14	F430101	Screw	
15	F602101	Drain Lift Tube	
16	F200126	Hose	

N/A = Part no longer available

Motor, Pulley, Belt and Bearings

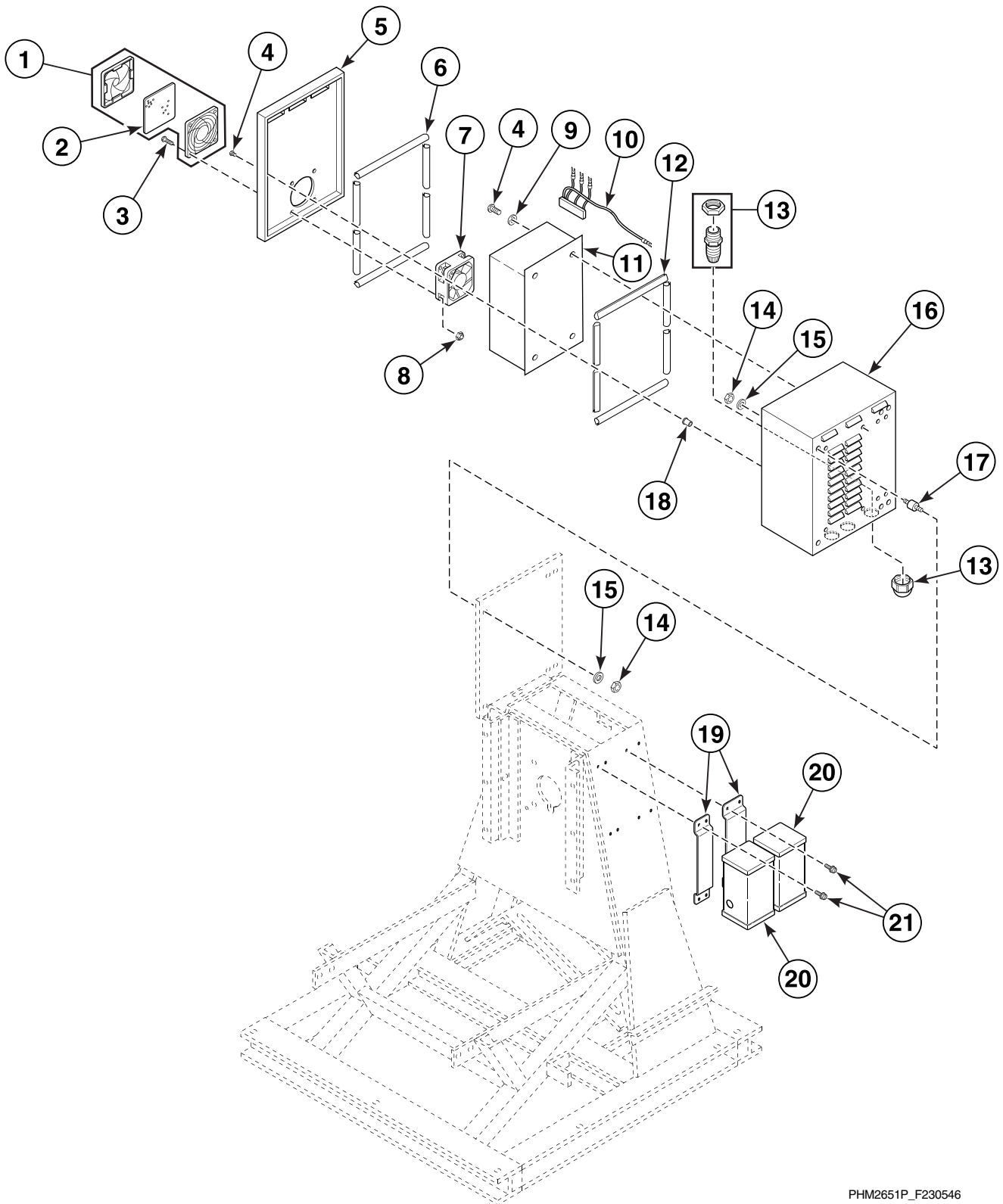


PHM2616P_F230546

Motor, Pulley, Belt and Bearings

REF	PART NO.	DESCRIPTION	COMMENTS
1	F602257	Key	
2	F280294	Basket Pulley Bushing	U.S.; Includes screws and item 1; 2-7/16
3	F280355	Belt	BX108
4	F280412	Pulley	Basket; 2B305F
5	F745004	Rear Bearing Kit	Includes F100152 Bearing, F430141 Screw, F430203 Nut, F430329 Washer and F704854 Key
6	F798835-00	Front Bearing Kit	Includes items 8-11, F170120RP Shell Band Gasket, F410102 Clear Sealant, F430935 Screw, F100152 Bearing, F430141 Screw, F430203 Nut, F430317 Washer, F430329 Washer, F431005 Nut, F431210 Pop Rivet and F704854 Key
7	F430211	Nut	
8	F100205	Slinger	
9	F010030901P	Face Seal	
	F798833-00	Seal Kit	Includes items 7-11, F410102 Clear Sealant, F170120RP Shell Band Gasket, F431210 Pop Rivet, F430935 Screw and F430317 Washer
10	F431112	Washer	
11	F430500	Screw	
12	F280242	Motor Bushing	Includes screws and item 20; H-1-3/8
13	F280181	Pulley	Motor; 2BK34H
14	F430993	Screw	
15	F430301	Washer	
16	F220218UP	Motor	195/390 Volt; 10 hp; U.S.
	F220218P	Motor	195/390 Volt; 10 hp; U.S. Premium
	F220437	Motor	195/390 Volt; 10 hp; Magnetek
	F220897	Motor Bearing	6208-2Z; For U.S. motors
	F100108	Bearing	6206-2RS; For U.S. motors
17	F430300	Washer	
18	M400014	Washer	
19	F430205	Nut	
20	F430817	Key	

AC Drive



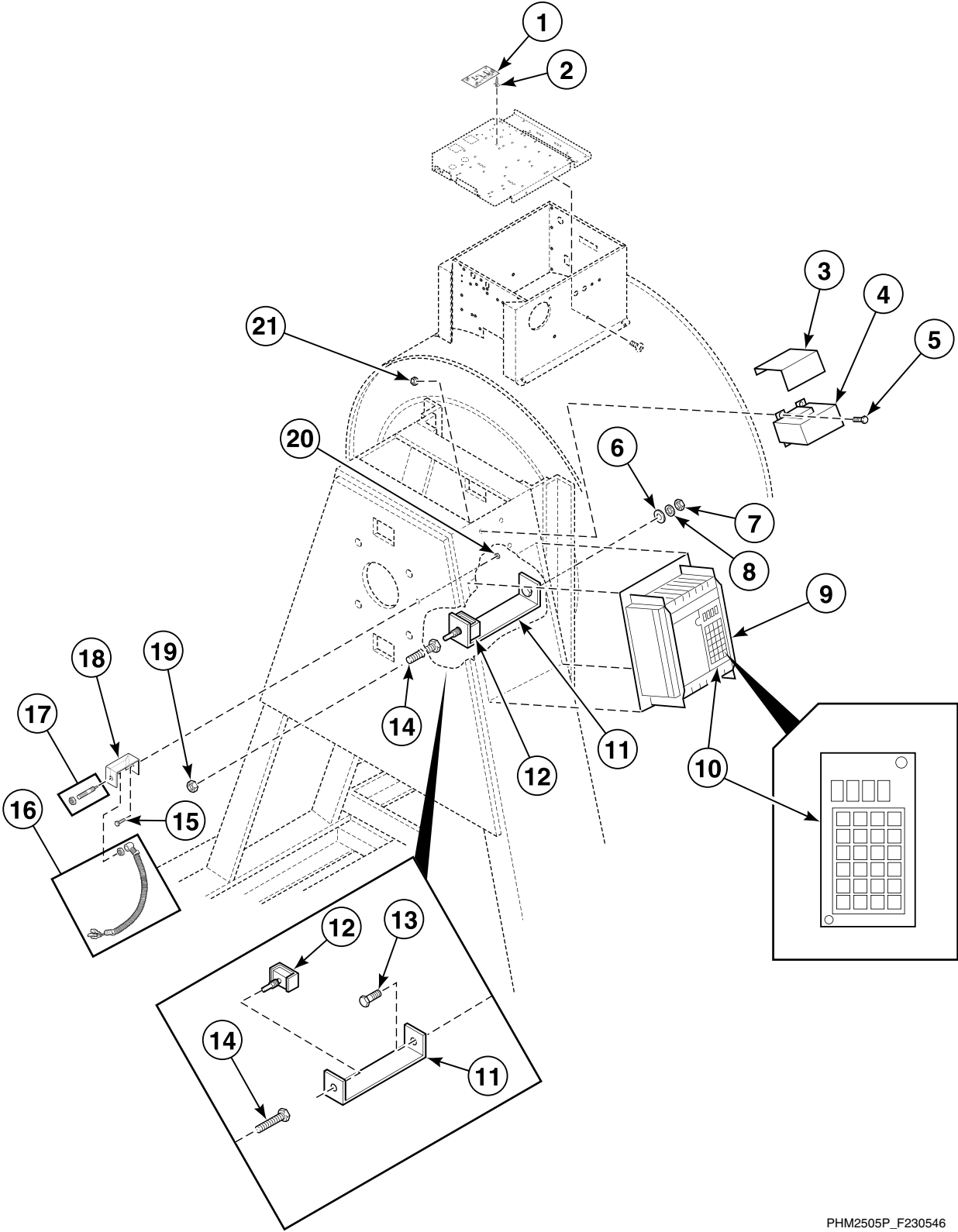
PHM2651P_F230546

AC Drive

REF	PART NO.	DESCRIPTION	COMMENTS
1	F220900	Filter Retainer Guard	Includes item 2
2	F200318900	Filter	
3	F430916	Screw	
4	F430925	Screw	
5	F633807	AC Drive Box Cover	
6	F170158P	Gasket	
7	F110106	Muffin Fan	120 Volt
	F110105	Muffin Fan	220 Volt
8	F430231	Nut	
9	F430322	Washer	
10	F200320901	AC Drive Radio Filter Assembly	
11	F370837	Inverter Drive	200 Volt
	F370834	Inverter Drive	460 Volt
12	F170402P	Gasket	
13	F140331	Strain Relief Connector	PG21
	F140224	Strain Relief Connector	PG29
14	F430205	Nut	
15	M400014	Washer	
16	F633811	AC Drive Box Weldment	
17	F432217	Sandwich Mount	
18	F432212	Nut	
19	N/A	Transformer Adapter Plate	
20	F743703-2	AC Drive Transformer Kit	Buckboost; N-voltage models; Includes F200031200 Transformer
21	F430107	Screw	

N/A = Part no longer available

Balance Switch, Rotation Sensor and Control Transformer

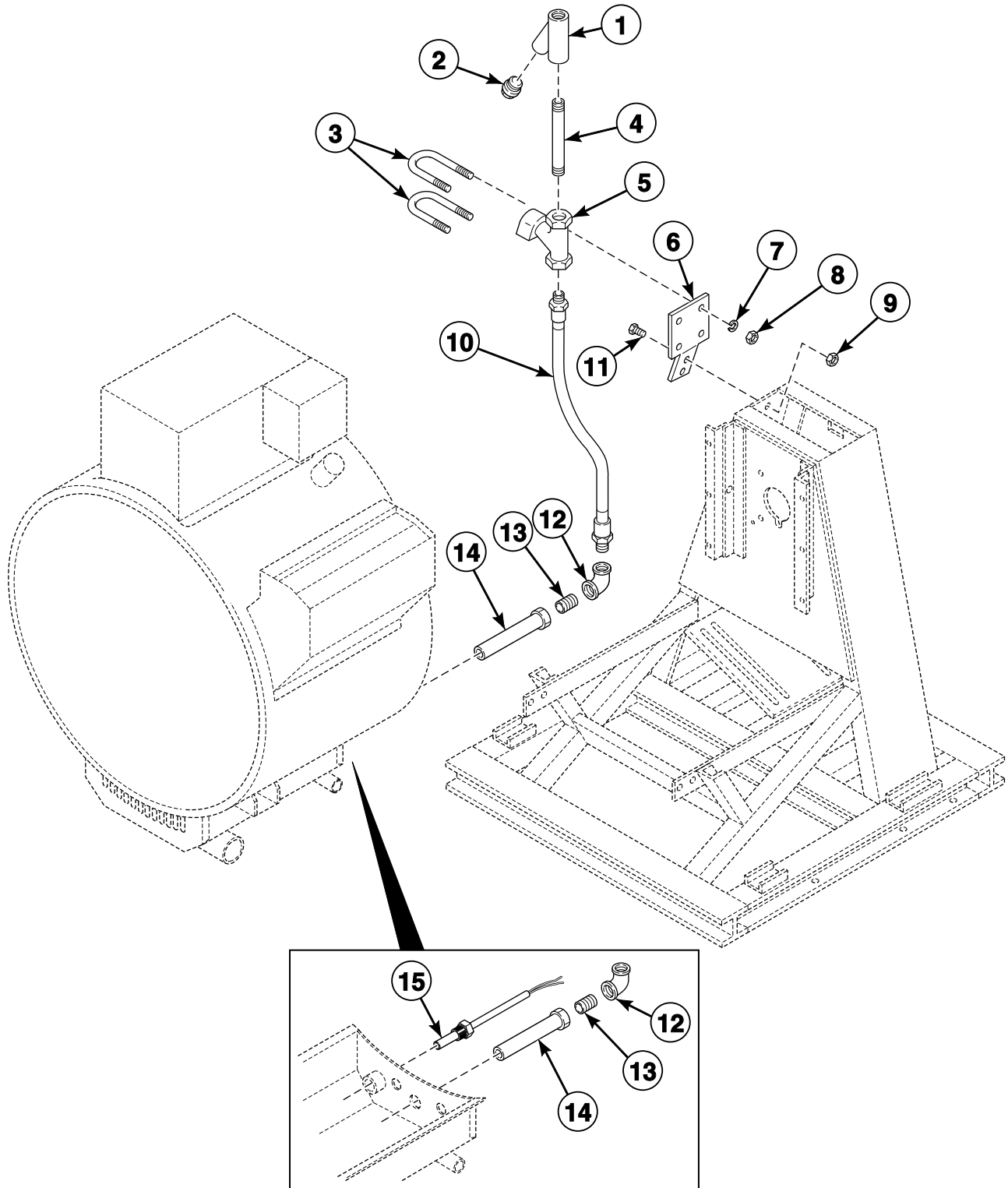


PHM2505P_F230546

Balance Switch, Rotation Sensor and Control Transformer

REF	PART NO.	DESCRIPTION	COMMENTS
1	F200101300P	Rotation Sensor PCB	
2	F180501	Standoff	
3	F140425	Control Transformer Cover	
4	F360125	Transformer	
5	F430107	Screw	
6	F430301	Washer	
7	F430205	Nut	
8	M400014	Washer	
9	F744064	Retrofit Kit	N and P-voltage models; Z to AB drive
	F744063	Retrofit Kit	N and P-voltage models; A to AB drive
	F744062	Retrofit Kit	Q-voltage models; Z to AB drive
	F744065	Retrofit Kit	Q-voltage models; A to AB drive
10	F370594	Parameter Unit	A drive
	F370597P	Parameter Unit	AB drive
11	F601750	Balance Switch Bracket	
12	F340906	Microswitch	
13	800461	Screw	
14	F430124	Screw	
15	F430927	Screw	
16	F200126201	Rotation Sensor Assembly Harness	
17	F200126200	Rotation Sensor Assembly	
	F079900802P	Rotation Sensor Retrofit Kit	Includes items 1, 2, 15-18 and 20
18	F200122500	Rotation Sensor Bracket	
19	F430206	Nut	
20	F430218	Nut	
21	F430215	Nut	

Steam Heat Option and Temperature Probe

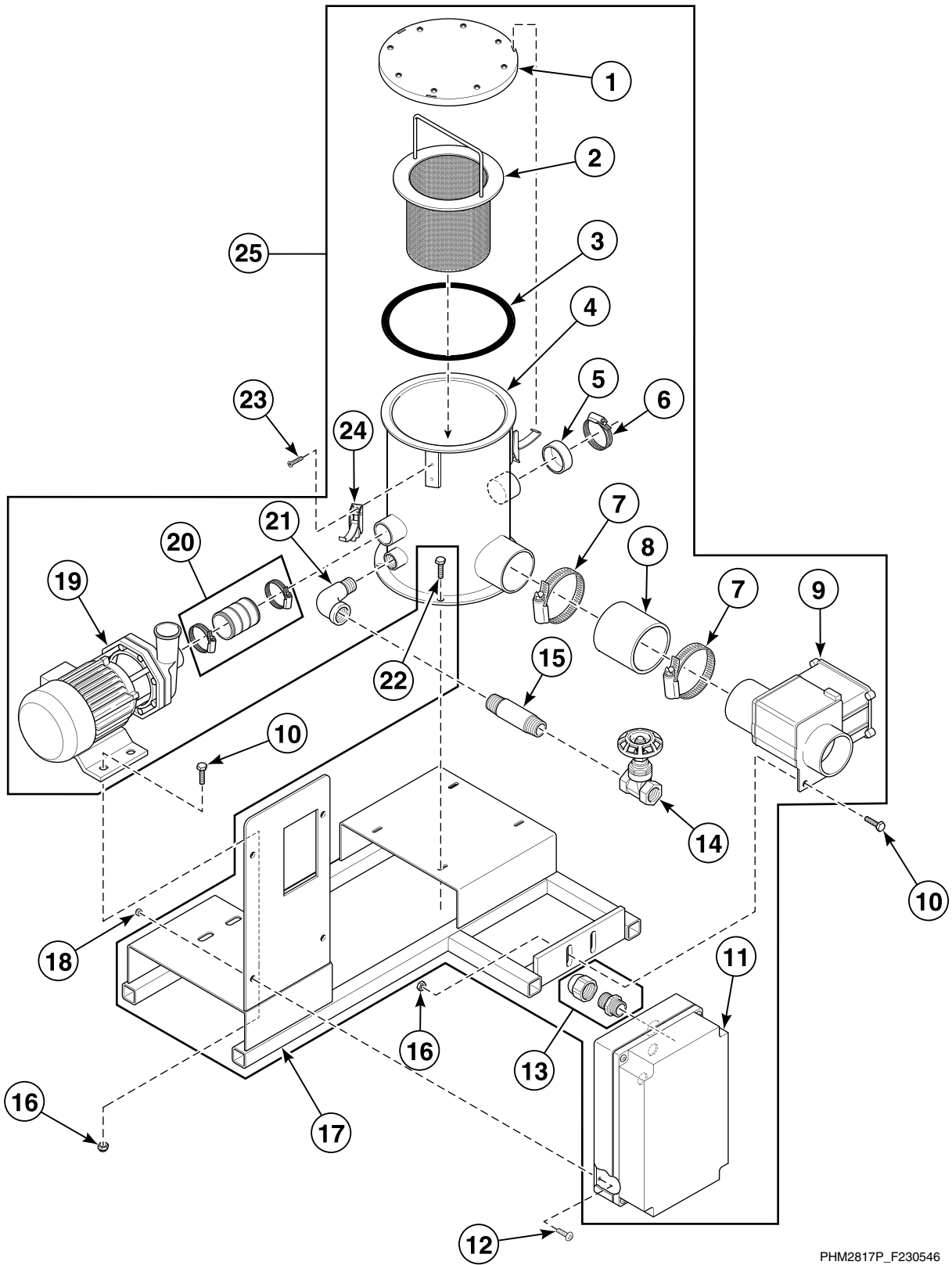


PHM2646P_F230546

Steam Heat Option and Temperature Probe

REF	PART NO.	DESCRIPTION	COMMENTS
1	F270307	Steam Filter	
2	F420409	Plug	
3	F200401P	U-Bolt Clamp	Includes items 7 and 8
4	70214101	Pipe Nipple	
5	F380786P	Steam Valve	120 Volt
	F380986P	DIN Coil	120 Volt
	F380787P	Steam Valve	240 Volt
	F380987P	DIN Coil	240 Volt
	F380984P	Steam Valve Repair Kit	
6	F607268	Steam Valve Bracket	
7	F430322	Washer	
8	F430211	Nut	
9	F430215	Nut	
10	F200153P	Steam Hose	
11	F430913	Screw	
12	F420500	Street Elbow	
13	F421400	Bushing	
14	F603132	Steam Injector Tube Assembly	
15	F370606P	Temperature Probe	

Wet-Clean Assembly Main View



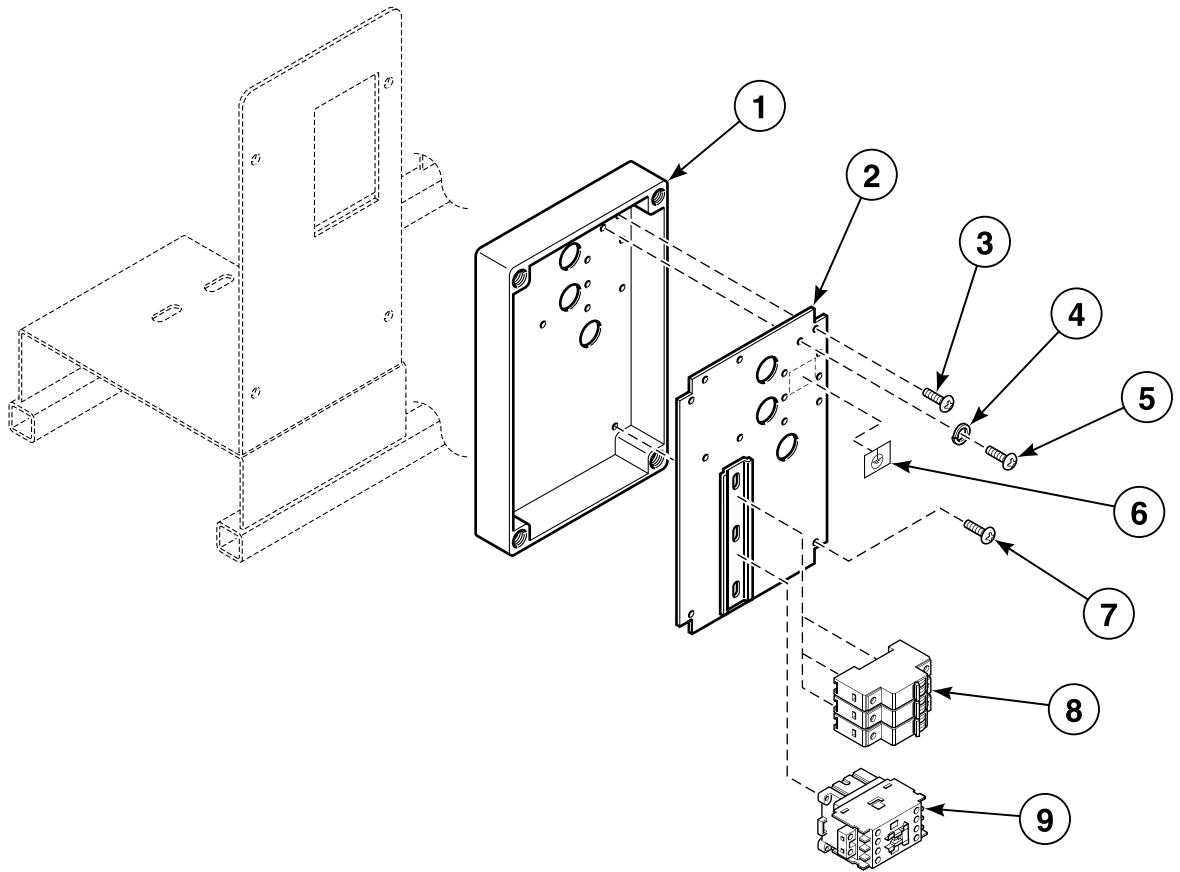
PHM2817P_F230546

Wet-Clean Assembly Main View

REF	PART NO.	DESCRIPTION	COMMENTS
1	F630300	Cover Assembly	
2	F630298	Filter Basket Weldment	
3	F170218	Canister Cover O-Ring	
4	F632355	Drain Canister Weldment	
5	F150352	Overflow Plug	
6	F200215	Hose Clamp	No. 28
7	N/A	Hose Clamp	No. 48
8	F150442	Drain Hose	
9	F380636	Ball Valve	
10	F430939	Screw	
11	F635664	Control Module Sub-Assembly	
12	F430932	Screw	
13	F140329	Strain Relief Connector	PG13
14	F380500	Gate Valve	
15	F421915	Nipple	
16	F431024	Nut	
17	F632693	Canister Stand Weldment	
18	F430232	Nut	
19	F270102P	Pump	
20	F422515	Tube Connector	
21	F422304	Street Elbow	
22	F430923	Screw	
23	F430903	Screw	
24	F432201	Draw Latch	
25	F0632800-02	Wet-Clean Canister Stand Assembly	Includes items 1-9, 11, 13-15, 17, 19-21 and 24

N/A = Part no longer available

Wet-Clean Assembly Control Module



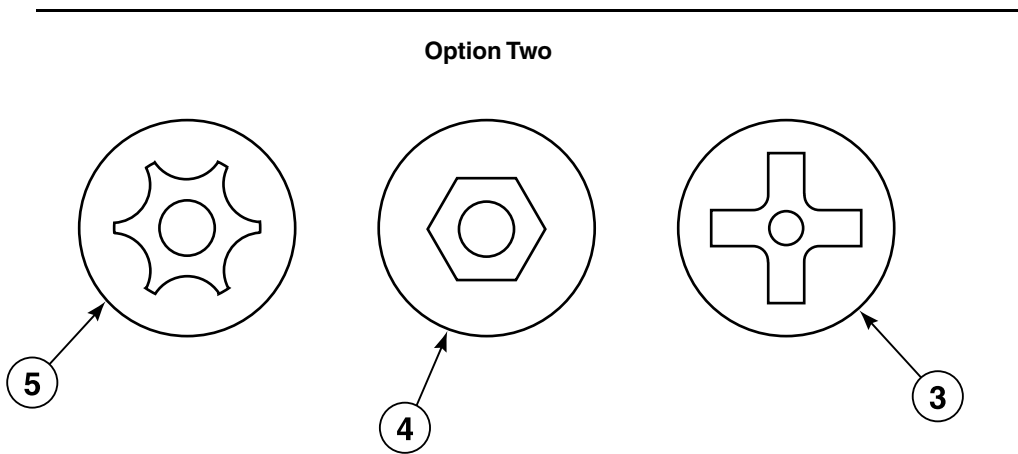
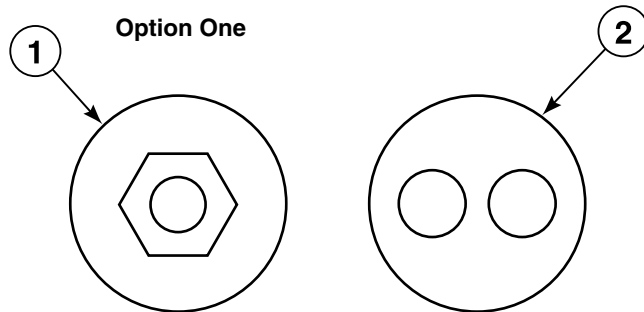
PHM2341P_F230546

Wet-Clean Assembly Control Module

REF	PART NO.	DESCRIPTION	COMMENTS
1	F140432	Box	
2	F634278	Control Panel Sub-Assembly	
3	N/A	Screw	
4	N/A	Washer	
5	F430928	Screw	
6	F230739	Ground Decal	
7	N/A	Screw	
8	F350207	Circuit Breaker	
9	F330177P	Contactator	

N/A = Part no longer available

Security Fasteners



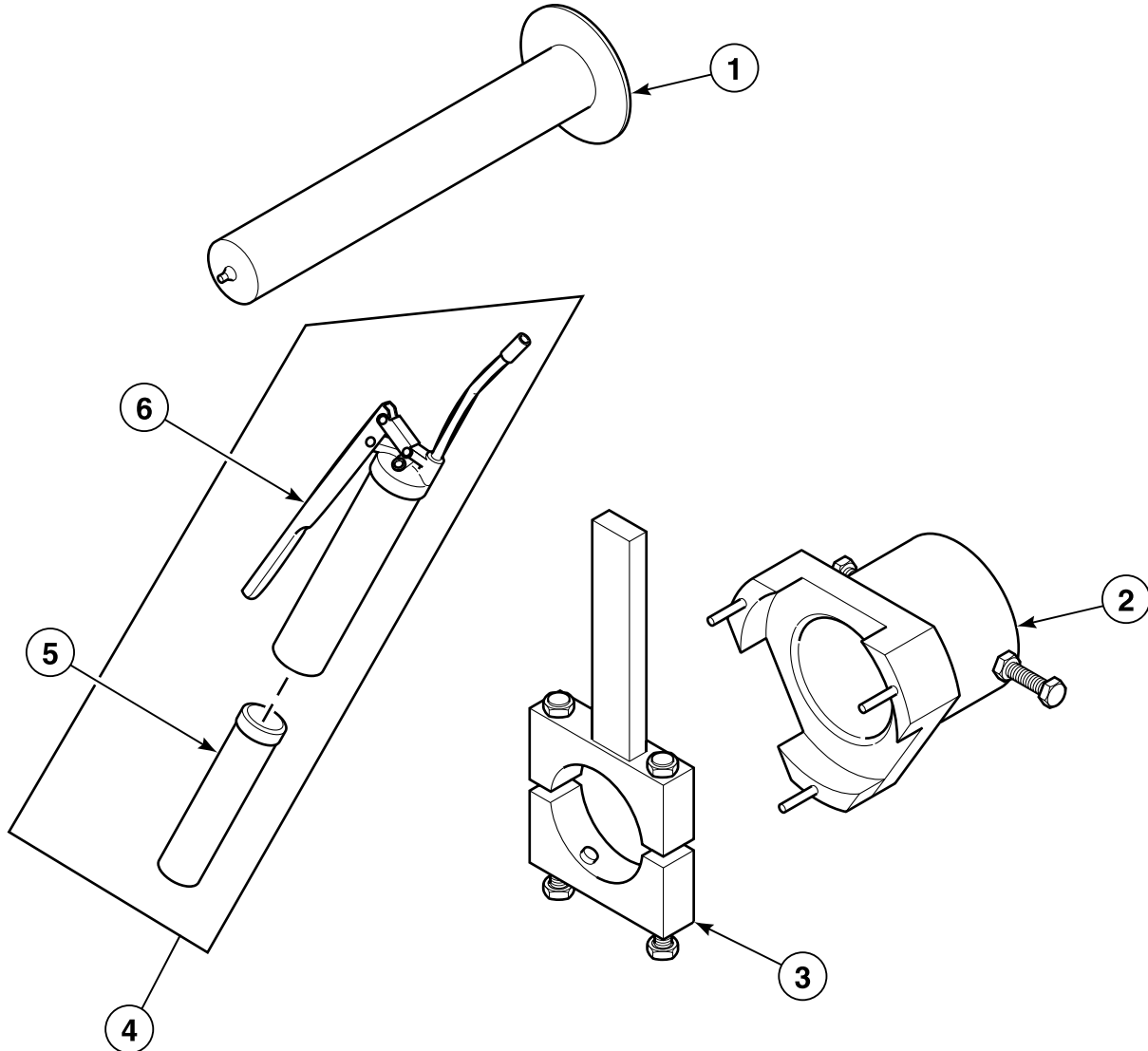
PHM2181P_F230546

Security Fasteners

REF	PART NO.	DESCRIPTION	COMMENTS
1	F0430275-00	Screw	No. 8; 32 x 1/2 inch; Used in place of F430956 Screw; Typical location is the side panels and module cover
	F430960	Screw	No. 10; 32 x 3/8 inch; Used in place of F430904 Screw; Typical location is the module to the shell
	F704906	Hex Bit	
2	F0430273-00	Screw	1/4 inch; 20 x 2-1/2 inch; Used in place of F430996 Screw; Typical location is the door box to the bracket
	F0430272-00	Screw	1/4 inch; 20 x 1-1/2 inch; Used in place of F430921 Screw; Typical location is the side panel to the bracket
	F0430274-00	Screw	1/4 inch; 20 x 1/2 inch; Used in place of F430925 Screw; Typical location is the drive box or the cover
	F704907	Spanner Bit	
3	F432260	Screw	1/4 inch; 20 x 2-1/2 inch; Used in place of F430996 Screw; Typical location is the door box to the bracket
	F704904	Phillips Bit	
4	N/A	Screw	1/4 inch; 20 x 1/2 inch; Used in place of F430925 Screw; Typical location is the drive box or cover
	F704897	Hex Bit	
5	F432259	Screw	No. 8; 32 x 1/2 inch; Used in place of F430956 Screw; Typical location is the side panels and module cover
	281P4	Torx Bit	

N/A = Part no longer available

Special Tools



PHM2640P_F230546

Special Tools

REF	PART NO.	DESCRIPTION	COMMENTS
1	F633431	Alignment Shaft Assembly	
2	F200293500	Seal Alignment Tool Assembly	
3	F460133	Bearing Removal Tool	
4	F798700	Grease Gun Kit	Includes items 5 and 6
5	F210206P	Bearing Grease	
6	F210207P	Grease Gun	

Parts Index

A

AC Drive Box Cover F633807	57
AC Drive Box Weldment F633811	57
AC Drive Radio Filter Assembly F200320901	57
AC Drive Transformer Kit F743703-2	57
Alignment Shaft Assembly F633431	69
Antisiphon Valve F380802	47

B

Balance Switch Bracket F601750	59
Ball Valve F380636	63
Basket Assembly F603686-1	33
Basket Pulley Bushing F280294	55
Bearing F100108	55
Bearing Grease F210206P	69
Bearing Removal Tool F460133	69
Before Power Is Connected Tag F230501	5
Belt F280355	55
Box F140432	65
Bracket Casting F150200	27
Bushing F421400	61
Buzzer F300203P	7, 11

C

Cable Assembly F604713	9, 11
Cage Wrap Assembly F633783	15
Canister Cover O-Ring F170218	63
Canister Stand Weldment F632693	63
Cap F190300	27

Chafe Strip F601244	53
Chemical Supply Cup F150385	35
F150386	35
Chemical Supply Hose F150487	35
Circuit Breaker F350207	65
F350211	9, 11
Clockwise Spin Rotation Decal F230652	5
Cold Water Valve Decal F231368	5
Conductor Decal F231146	5
Connector F140309	9, 11
F140575P	9, 11
F140576	9, 11
F422500	7, 11
Contact Block Switch F340445	7, 11
Contactoer F330177P	65
F330187P	7, 11
F330188P	7, 11
Containment Device F0380809-00	49
Control Module Decal F231562	7, 11
Control Module Sub-Assembly F635664	63
Control Panel Sub-Assembly F634278	65
Control Transformer Cover F140425	59
Cotter Pin F431201	27
F431202	37, 39
Coupling F420301	51
Cover Assembly F630300	63

D

Diaphragm and Guide Kit G581P3	9
DIN Coil F380986P	43, 45, 61
F380987P	43, 45, 61
Disconnect Power Warning Label 505281	5
Dispenser Assembly F0150512-00P	35
Dispenser Lid F0150514-00	35
Dispenser Shroud Weldment F8024303	35

N/A items do not appear in index.

Do Not Push Decal F230302	5	Drain Hose F150442	63
Door Box F601706	21, 27, 29	F610376P	51
F601707	21, 27, 29	Drain Lift Tube F602101	53
F634415	31	Drain Motor F380943P	51
Door Box Assembly F634822	25, 31	Drain Valve F038062800	51
F634822-1	31	Drain Valve Cover F200133600	51
Door Box Mounting Bracket F601129	21, 25	Drain Valve Kit F200166302	51
Door Bumper Bushing F430416	21, 25	F200166403	51
Door Bumper Moulding F150366	21, 25	Drain Valve Motor F380932P	51, 53
Door Butt F150233	19, 23	F380933P	51, 53
Door Butt Shim F601948	21, 25	Drain Valve Motor Arm F602222	53
Door Cam Adjusting Rod F603105	21	Drain Valve Motor Cover F602372	53
Door Extension Arm F610220	21, 25	Drain Valve Motor Linkage F602274	53
F610221	21, 25	Draw Latch F432201	63
Door Gasket F170162	19, 23	Drive F8103810	13
Door Glass Gasket F170115	19, 23	Drive Mounting Plate Assembly F8018200	13
Door Glass Kit F290204P	19, 23		
Door Handle F634416	23		
Door Handle Casting F150203	21, 25		
Door Hinge F150228	21, 25	E	
Door Hinge Pin F432307	21, 25	Elbow F420503	41, 43
Door Hinge Switch F340901	27, 29	F422318	37
Door Latch Bracket Shim F602058	21, 25	F422319	19, 23
Door Lock Collar F150288	27	F422900	51
Door Lock Gasket F170135	27	Emergency Stop Decal F231083	7, 11
Door Lock Pivot Plate F608803	21, 25	Emergency Stop Pushbutton F340718	7, 11
Door Lock Plunger F601081	27	External Supply Control Decal F230606	5
Door Lock Solenoid F300118P	29, 31	External Supply Decal F230622	9
F300129P	31		
Door Lock Solenoid Spring F310119	27	F	
Door Retainer Spinning F320102	19, 23	Face Seal F010030901P	55
Door Solenoid F300101P	27	Filter F200318900	57
Drain Canister Weldment F632355	63	Filter Basket Weldment F630298	63
Drain Conversion Kit F0798775-00	53	Filter Retainer Guard F220900	57
F0798776-00	53	Frame Assembly F601754-1	33
		Frame Weldment F063402100	33
		Front Bearing Kit F798835-00	55

N/A items do not appear in index.

Front Panel	
F601837	17
F631560	15
Fuse	
F350108	7, 11
F350109	7, 11
F350110	7, 11
F350115	9
Fuse Holder	
F0350312-10	9

G

Gasket	
F170158P	57
F170402P	57
Gate Valve	
F380500	41, 43, 45, 47, 63
Grease Gun	
F210207P	69
Grease Gun Kit	
F798700	69
Ground Decal	
F230739	65
Ground Terminal Lug	
F140734	9, 11

H

Hex Bit	
F704897	67
F704906	67
Hose	
F200105	51
F200126	53
F610068	19, 23
Hose Adapter	
F421909	41, 43
Hose Barb	
F421929	33, 37
F421930	41, 43, 45, 47
F421934	37
Hose Clamp	
F200201	51, 53
F200213	35, 51
F200215	51, 63
36801	33, 37, 39
Hose Connector	
F200302	9
Hot Surface Warning Decal	
F231380	5
Hot Water Valve Decal	
F231367	5

I

Injection Nozzle	
F380300	35, 39
Injection Nozzle Kit	
F730168	35, 39

Input Power Block	
F140747	9, 11
Input Power Connector Decal	
F230677	9, 11
Insulator Bushing	
F140909	9
F140910	37
Interlock Switch	
F340900	27, 29
Inverter Drive	
F370834	57
F370837	57

K

Key	
F430817	55
F602257	55
Keymode Assembly	
F200174600	9, 11
Keymode Decal	
F230678	9, 11
Keypad Decal	
F230724P	7, 11

L

Left Side Panel	
F602919	17
Light	
F350412	9, 11
F350414	9, 11
Lower Door Latch Bracket Casting	
F150202	21, 25
Lower Door Latch Casting	
F150204	21, 25

M

Magnet	
F340703	23
Magnetic Switch	
F0340723-00	31
Microswitch	
F340906	31, 59
Momentary Switch	
F340412	7, 11
Motor	
F220218P	55
F220218UP	55
F220437	55
Motor Bearing	
F220897	55
Motor Bushing	
F280242	55
Mounting Panel Assembly	
F608385	7, 11
Muffin Fan	
F110105	57
F110106	57

N/A items do not appear in index.

N

Nipple	
F420101.....	41, 43, 45, 47
F420105.....	41, 43
F420107.....	41, 43
F420112.....	51
F420115.....	51
F420138.....	45, 47
F421915.....	63
F421948.....	45, 47
No-Swivel Coupling	
F422109.....	19, 23
Nut	
F430205.....	21, 25, 55, 57, 59
F430206.....	59
F430211.....	15, 17, 27, 55, 61
F430212.....	33
F430215.....	21, 33, 53, 59, 61
F430218.....	59
F430224.....	35, 39
F430231.....	11, 23, 31, 57
F430232.....	63
F430264.....	15, 37
F431000.....	9
F431005.....	21, 25, 35
F431022.....	7, 9, 11, 19, 23
F431024.....	63
F431026.....	19, 21, 23, 25
F432212.....	57
F604730.....	21

O

O-Ring	
F0170221-00.....	49
F170200.....	19, 23
F170208.....	35, 39
F170215.....	35
Output CCA	
F0370443-10P.....	7, 11
F0370454-10P.....	7, 11
Overflow Plug	
F150352.....	51, 63

P

Parameter Unit	
F370594.....	59
F370597P.....	59
Personal Injury Warning Decal	
F231065.....	5
Phillips Bit	
F704904.....	67
Pinch Drain Shell Kit	
F741020-10.....	33
Pipe	
F0602364-29.....	51
F610033.....	51
Pipe Nipple	
70214101.....	61
Plug	
F140527.....	9, 11

N/A items do not appear in index.

F420409.....	61
Plug Cap	
F190304.....	35
Pop Rivet	
F431210.....	33
Post and Screw Kit	
F730087.....	37, 39
PowerFlex 40 AC Drive Retrofit Kit	
F079902900.....	13
Program Key	
F370709.....	9, 11
Pulley	
F280181.....	55
F280412.....	55
Pump	
F270102P.....	63

R

RC Network Filter	
F330217P.....	7, 11, 27, 29, 31
Rear Bearing Kit	
F745004.....	55
Rear Panel	
F631559.....	17
F633777.....	15
Repair Kit	
F380915P.....	41
F380947P.....	47
F380965P.....	41, 43, 45
F380966P.....	47
Retaining Ring	
F310215.....	21, 25
Retrofit Kit	
F744062.....	59
F744063.....	59
F744064.....	59
F744065.....	59
Right Side Panel	
F601838.....	17
Ring Retainer	
F310206.....	19, 23
Rod End Clip	
F431205.....	53
Rotation Sensor Assembly	
F200126200.....	59
Rotation Sensor Assembly Harness	
F200126201.....	59
Rotation Sensor Bracket	
F200122500.....	59
Rotation Sensor PCB	
F200101300P.....	59
Rotation Sensor Retrofit Kit	
F079900802P.....	59
Rub Rail	
F601839.....	15, 17

S

Sandwich Mount	
F432217.....	57

Screw			
F0430272-00.....	67	Soap Supply Cup	
F0430273-00.....	67	F603413	37, 39
F0430274-00.....	67	Solenoid Valve	
F0430275-00.....	67	F380702P	41
F430101	53	F380708P	37
F430103.....	21, 25	F380709P	37
F430107.....	57, 59	F380724P	47
F430124.....	59	Spanner Bit	
F430168.....	21, 25	F704907	67
F430500.....	55	Spray Rinse Bracket Assembly	
F430502.....	27	F602901P	19, 23
F430518.....	33	Spray Rinse Hose Kit	
F430903.....	63	F730023	19, 23
F430904.....	21, 25	Spray Rinse Nozzle Kit	
F430910.....	9	F730077	19, 23
F430913.....	61	Spray Rinse Strap	
F430916.....	9, 11, 23, 57	F602880	19, 23
F430917.....	7, 11, 19, 23, 27, 35	Spray Rinse Tube Assembly	
F430920.....	13	F610363	19, 23, 41, 43
F430921.....	15	Spring	
F430923.....	63	F310101	53
F430924.....	33	Spring Pin	
F430925.....	27, 57	H88900683	53
F430927.....	21, 25, 59	Squeeze Connector	
F430928.....	7, 9, 11, 31, 65	F140311	9, 11
F430932.....	63	Standoff	
F430938.....	49	F180501	59
F430939.....	63	F180506	7, 11
F430956.....	15, 17, 37	Steam Filter	
F430960.....	67	F270307	61
F430992.....	33	Steam Hose	
F430993.....	55	F200153P	61
F430995.....	9, 11, 27, 29, 31	Steam Injector Tube Assembly	
F432259.....	67	F603132	61
F432260.....	67	Steam Valve	
800461	59	F380786P	61
Scupper		F380787P	61
F150389.....	33	Steam Valve Bracket	
Seal Alignment Tool Assembly		F607268	61
F200293500.....	69	Steam Valve Repair Kit	
Seal Kit		F380984P	61
F798833-00.....	55	Strain Relief Adapter Kit	
Shell Band Assembly		F749802	35
F603630.....	33	Strain Relief Connector	
Shell Band Fastener Kit		F140224	57
F791001	33	F140329	63
Shell Band Gasket		F140331	57
F170120RP	33	F140340P	35
Shell Front Weldment		Street Elbow	
F608747	33	F420500	41, 43, 45, 47, 61
F634677	33	F420502	41, 43
Shell Plate Assembly		F422304	63
F604051	33	F422310	37
Shell Weldment		Studded Door Assembly	
F634440.....	33	F634678	23
Side Panel		Studded Door Kit	
F631553P	15	F730316	19
Slinger		Supply Dispenser Hazard Caution Decal	
F100205.....	55	F231436	5, 35
Soap Dispenser Link Arm		Supply Dispenser Spacer	
F601792.....	37, 39	F0150525-00	35
Soap Dispenser Manifold Assembly		Supply Valve Manifold Assembly	
F603084.....	37	F604602P	37
Soap Dispenser Shelf			
F601795.....	37		

N/A items do not appear in index.

Switch Extension F340913.....	27, 29
Swivel Coupling F422108.....	19, 23

T

Tee	
F420402.....	41, 43
F420403.....	41, 43
F420410.....	45, 47
F422801.....	51
Temperature Probe F370606P.....	61
Terminal Block F140782.....	9
Terminal Strip F140738.....	9, 11
This Machine Must Be Protected Decal F230301.....	5
Top Fill Assembly F610260.....	41, 43
Top Latch Bracket Casting F150201.....	21, 25
Torx Bit 281P4.....	67
Transformer F360125.....	59
Trim F170400RP.....	15, 17, 35
Tube Connector F422106.....	41, 43
F422515.....	63
Tubing F422404P.....	7, 11

U

U-Bolt Clamp F200401P.....	37, 61
F200402.....	41, 43

V

Vacuum Breaker Cap F0380808-00.....	49
Vacuum Breaker Kit F0798922-00.....	49
Vacuum Breaker Valve F063754701P.....	49
F380800P.....	41, 43, 45
Valve	
F380703P.....	41
F381700P.....	43
F381701P.....	43
F381727P.....	45
F381733P.....	45
Valve, 4-Way	
F380715P.....	9, 39
F381723P.....	9
F381724P.....	9

N/A items do not appear in index.

W

Washer	
F430300.....	55
F430301.....	55, 59
F430317.....	21, 33, 53
F430321.....	33
F430322.....	57, 61
F431100.....	15, 17, 19, 21, 23, 25, 35
F431106.....	9, 11
F431112.....	55
F431113.....	7, 11
F431116.....	33
F431118.....	21, 25
F431123.....	37, 39
F431133.....	35
F431147.....	35
M400014.....	55, 57, 59
Water Hose	
F200107P.....	33, 37, 39
F200187.....	45, 47
Water Level Switch F0340348-10P.....	7, 11
Water Level Switch Bracket F630242.....	7, 11
Water Valve Repair Kit F0381007P.....	45
Wet-Clean Canister Stand Assembly F0632800-02.....	63
WE-6 Computer F037062441P.....	7, 11
WE-6 Interface CCA Kit F370446P.....	7, 11

Y

Y Connector F422808.....	39
-----------------------------	----
