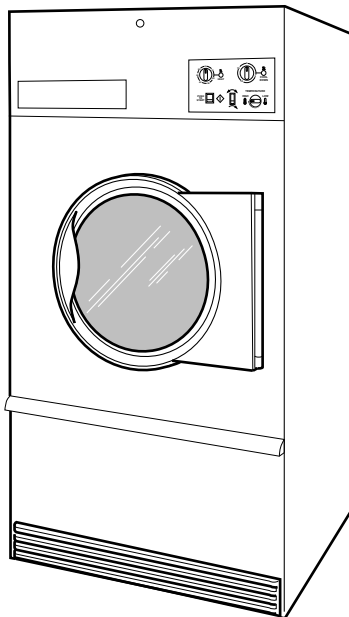


Drying Tumblers

75 Pound Capacity

Models Starting Serial No. 0904004427

Refer to Page 5 for Model Numbers



TMB795C_70421901

Parts



&



www.partsking.com

Part No. 70421901R8
January 2012

Table of Contents

Title	Page
Parts Ordering Information.....	3
Serial Plate Location	3
Model Identification	5
Product Overview - Heat Source and Voltage	6
Product Overview - Control Suffixes (Drawing 1 of 3).....	8
Product Overview - Control Suffixes (Drawing 2 of 3).....	10
Product Overview - Control Suffixes (Drawing 3 of 3).....	12
Control Box	14
Fire Suppression System Control Box	16
Single Drop Controls	18
Dual Digital Timer Controls	20
DMP Control	22
DX4 Electronic Control.....	24
OPL Microprocessor Control.....	26
Coin Drop Components for MDC Models.....	28
Central Pay and Card Reader MDC Models	30
Optional Card Reader Mountings for MDC Models.....	32
Coin Drops	34
Coin Drop Kits	36
Coin Drop Components for NetMaster Models	38
Card Reader NetMaster Models	40
Coin Drop Components for Quantum Control.....	42
Card Reader Components for Quantum Control	44
Network Board for Quantum Control.....	46
Network Connection for Quantum.....	48
UniLinc Control	50
LED OPL Control	52
Emergency Stop Button - CE Models and Model UB075E	54
Cabinet Front Components	56
Cabinet Panels and Nameplates	58
Front Panel Assemblies	60
Lint Panel Switch Assembly	62
Lower Cabinet Front Components	64
Cabinet Limit and Thermistor Assembly	66
Cabinet Components	68
Door and Hinge Components	70
Cylinder and Trunnion Components	72
Bearing Components	74
Reversing Cylinder Drive Motor and Components.....	76
Drive Components for Non-Moisture Sensing Reversing Models Through 1/31/12	78
Drive Components for Moisture Sensing Reversing Models Starting 8/1/11 and Non-Moisture Sensing Reversing	

© Copyright 2012, Alliance Laundry Systems LLC

All rights reserved. No part of the contents of this book may be reproduced or transmitted in any form or by any means without the expressed written consent of the publisher.

Models Starting 2/1/12	80
Drive Components for Nonreversing Models Through 7/31/11	82
Drive Components for Nonreversing Models Starting 8/1/11	84
Idler Housing Assembly for Non-Moisture Sensing Reversing Models Through 1/31/12	86
Idler Assembly for Nonreversing Models Through 7/31/11	88
Moisture Sensing Components	90
Fan Components	92
Fan Motors	94
Fan Components and Motor for STF, UB and UTF Models.....	96
Gas Heater Components	98
Burner Orifices for Non-CE Models	100
Electric Heater Components	102
Airflow Switch Assembly	104
Steam Heater and Valve	106
Rotation Sensor	108
Duct and Damper Assembly	110
Rear Panel Assembly	112
Control Tray Wrap Components	114
Control Tray Fuses	116
Control Tray Harnesses for Gas and Steam Models	118
Control Tray Components for Gas Models	120
Control Tray Components for Steam Models.....	122
Control Tray Harnesses for Electric Models.....	124
Control Tray Components for Non-CE Electric Models.....	126
Control Tray Components for CE Electric Models	128
Parts Index	131

Parts Ordering Information

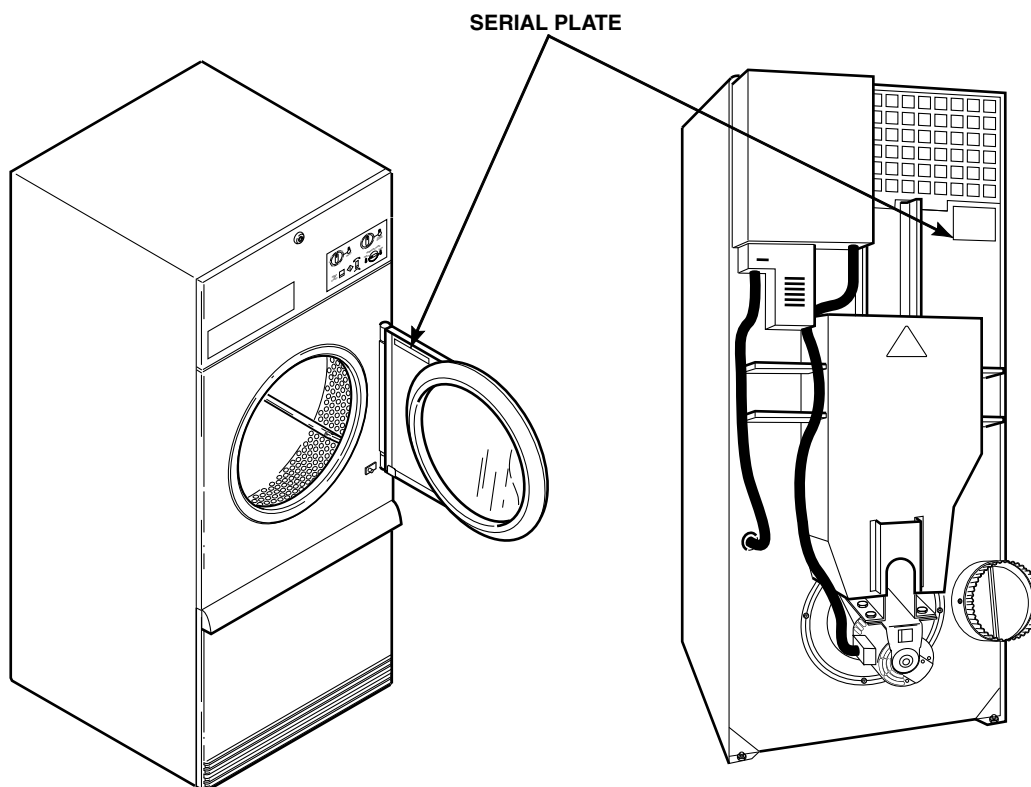
If literature or replacement parts are required, contact the source from whom the machine was purchased or contact Alliance Laundry Systems at (920) 748-3950 for the name and address of the nearest authorized parts distributor.

For technical assistance, call either of the numbers listed below:

(920) 748-3121 Ripon, Wisconsin
+32 56 41 20 54 Wevelgem, Belgium

Serial Plate Location

When calling or writing about your product, be sure to mention model and serial numbers. Model and serial numbers are located on serial plate(s) as shown.



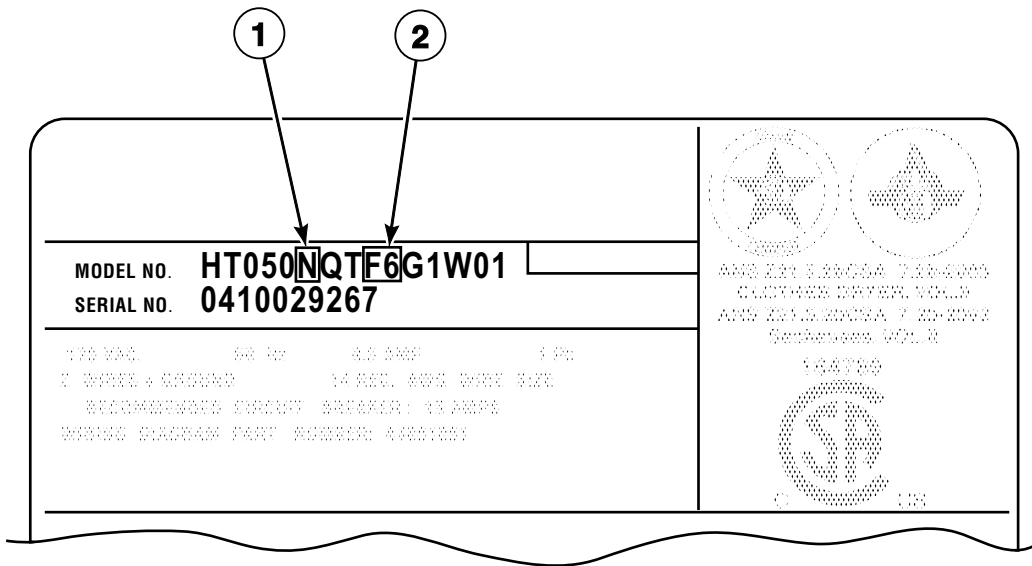
TMB2235N_70421901

Model Identification

Information in this manual is applicable to these tumbler models:

CA075L	GA075L	KA075L	SA075L
CA075N	GA075N	KA075N	SA075N
CT075E	GT075E	KT075E	ST075D
CT075L	GT075L	KT075L	ST075E
CT075N	GT075N	KT075N	ST075L
CT075S	GT075S	KT075S	ST075N
CT075T	GT075T	KT075T	ST075S
CU075E	GU075E	KU075E	ST075T
CU075L	GU075L	KU075L	STF75L
CU075N	GU075N	KU075N	STF75N
CU075S	GU075S	KU075S	SU075E
CU075T	GU075T	KU075T	SU075L
DR75E2-BT075E	HA075L	LA075L	SU075N
DR75E2-BU075E	HA075N	LA075N	SU075S
DR75G2-BA075L	HT075D	LT075E	SU075T
DR75G2-BA075N	HT075E	LT075L	UA075L
DR75G2-BT075D	HT075L	LT075N	UA075N
DR75G2-BT075L	HT075N	LT075S	UB075E
DR75G2-BT075N	HT075S	LT075T	UT075E
DR75G2-BU075L	HT075T	LU075E	UT075L
DR75G2-BU075N	HU075E	LU075L	UT075N
DR75S2-BT075S	HU075L	LU075N	UT075S
DR75S2-BT075T	HU075N	LU075S	UT075T
DR75S2-BU075S	HU075S	LU075T	UTF75L
DR75S2-BU075T	HU075T	PA075L	UTF75N
DR80E2-BT075E	IPD75E2-IT075E	PA075N	UU075E
DR80E2-BU075E	IPD75G2-IT075L	PT075E	UU075L
DR80G2-BA075L	IPD75G2-IT075N	PT075L	UU075N
DR80G2-BA075N	IPD75S2-IT075S	PT075N	UU075S
DR80G2-BT075D	IPD75S2-IT075T	PT075S	UU075T
DR80G2-BT075L		PT075T	YT075E
DR80G2-BT075N		PU075E	YT075L
DR80G2-BU075L		PU075L	YT075N
DR80G2-BU075N		PU075N	YT075S
DR80S2-BT075S		PU075S	YT075T
DR80S2-BT075T		PU075T	YU075E
DR80S2-BU075S			YU075L
DR80S2-BU075T			YU075N
			YU075S
			YU075T

Product Overview - Heat Source and Voltage



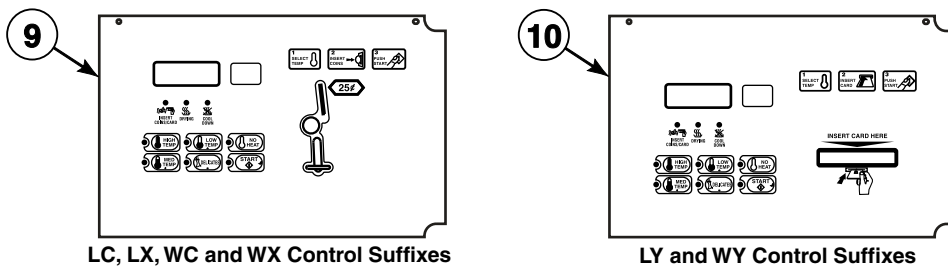
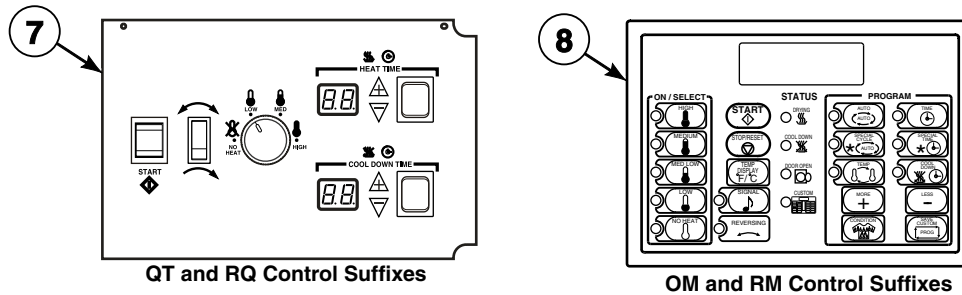
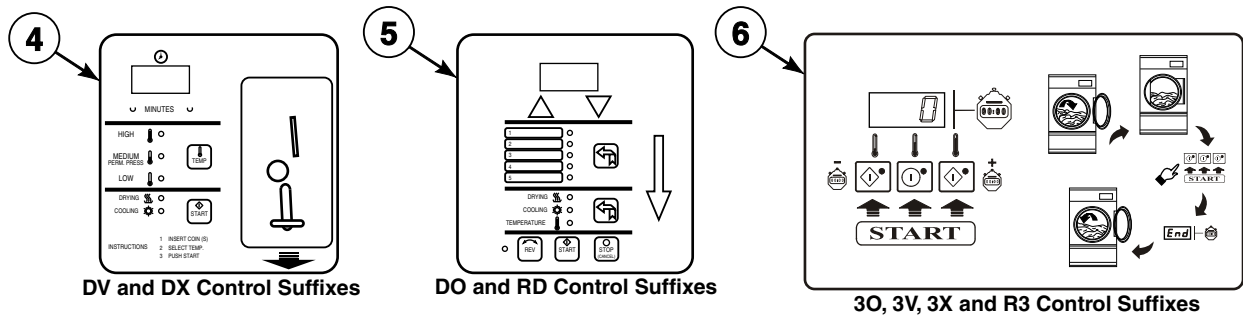
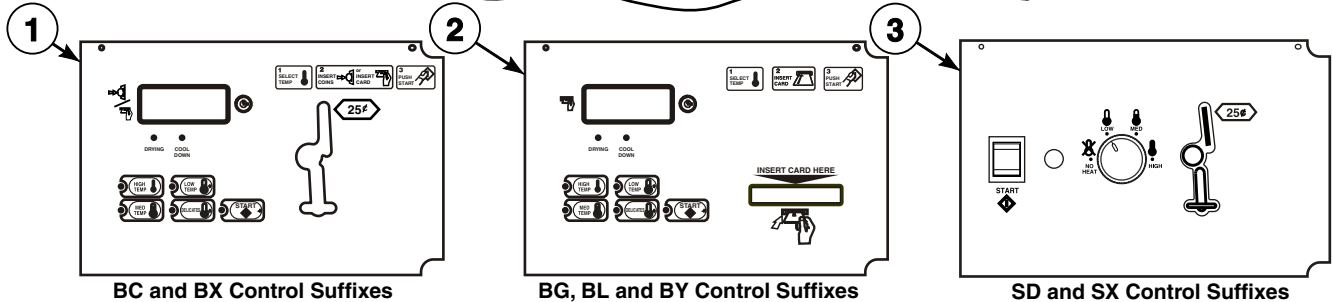
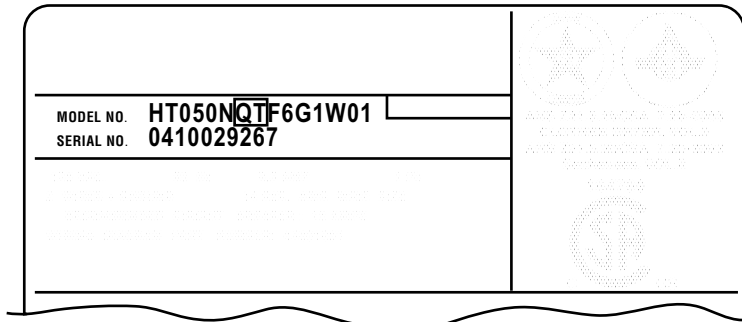
TMB2730P_70421901

Product Overview - Heat Source and Voltage

REF	PART NO.	DESCRIPTION	COMMENTS
1	-	Heat Source	D: Liquid Petroleum Gas (L.P.) E: Electric L: Liquid Petroleum Gas (L.P.) N: Natural Gas (N.G.) S: Steam T: Thermal Oil
2	-	Voltage	B1: 120 Volt/60 Hertz/1 Phase F3: 200-208 or 240 Volt/60 Hertz/1 Phase F4: 200 Volt/50 Hertz/3 Phase F5: 200-208 Volt/60 Hertz/3 Phase F6: 200-208 or 240 Volt/60 Hertz/3 Phase J1: 230 Volt/50 Hertz/1 Phase J2: 230-240 Volt/50 Hertz/1 Phase J3: 240 Volt/50 Hertz/1 Phase J5: 230 Volt/50 Hertz/3 Phase J6: 230-240 Volt/50 Hertz/3 Phase J7: 240 Volt/50 Hertz/3 Phase J8: 240 Volt/60 Hertz/3 Phase M1: 380 Volt/50 Hertz/3 Phase M2: 380 or 400-415 Volt/50 Hertz/3 Phase M3: 380 Volt/60 Hertz/3 Phase N1: 400-415 Volt/50 Hertz/3 Phase P1: 440 Volt/60 Hertz/3 Phase Q1: 460-480 Volt/60 Hertz/3 Phase Q2: 480 Volt/60 Hertz/3 Phase

Product Overview - Control Suffixes (Drawing 1 of 3)

All Models Except G and K Models



TMB2936P_70421901

Product Overview - Control Suffixes (Drawing 1 of 3)

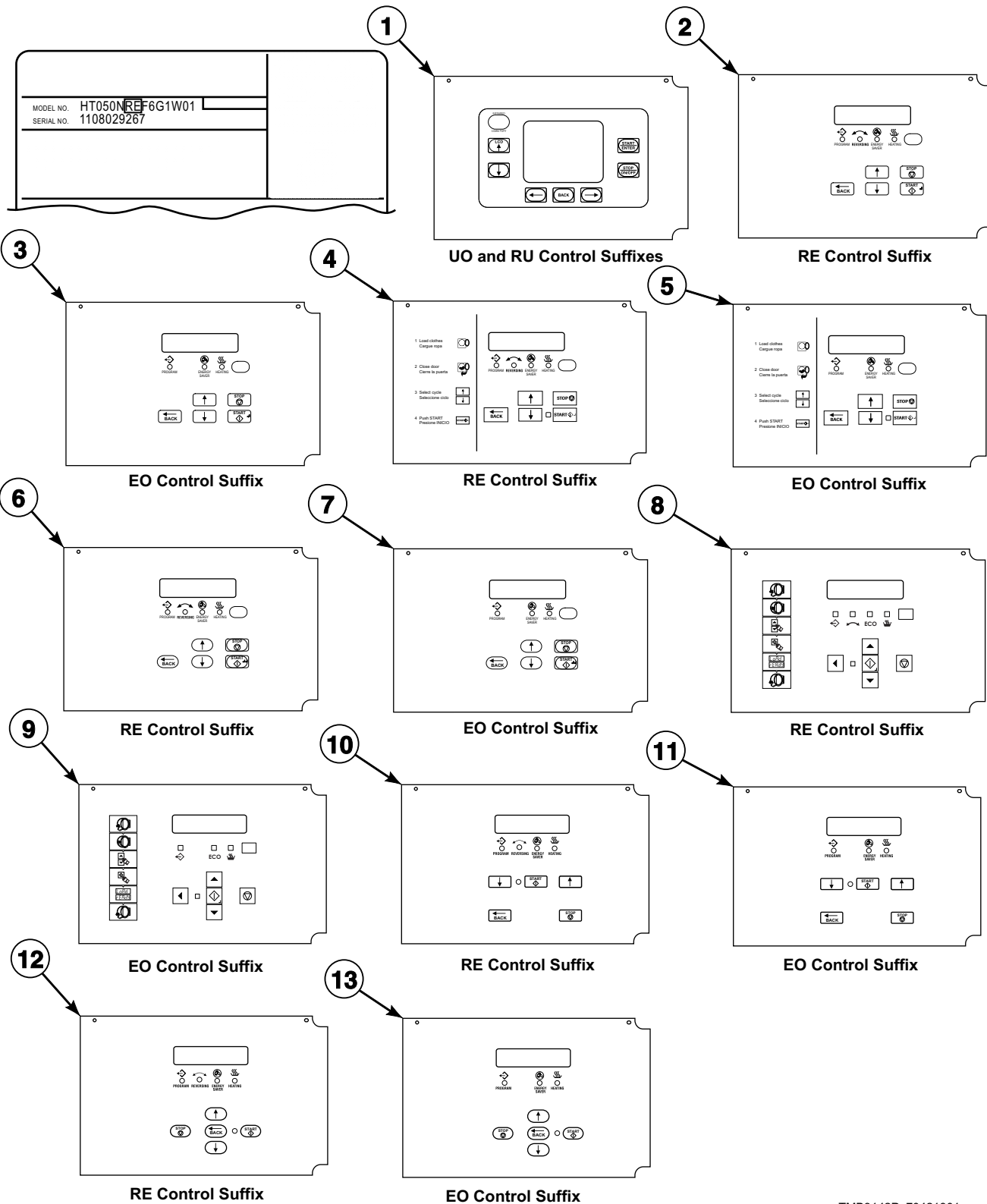
REF	PART NO.	DESCRIPTION	COMMENTS
1	-	Control - Nonreversing	BC: basic electronic, coin BX: basic electronic, prep for coin
2	-	Control - Nonreversing	BG: basic electronic, OPL mode BL: basic electronic, central pay BY: basic electronic, prep for card
3	-	Control - Nonreversing	SD: single drop SX: single drop, prep for coin
4	-	Control - Nonreversing	DV: DMP vended DX: DMP prep for coin
5	-	Control - Nonreversing	DO: DMP OPL
	-	Control - Reversing	RD: reversing DMP OPL
6	-	Control - Nonreversing	3O: DX4 OPL 3V: DX4 vended 3X: DX4 prep for coin
	-	Control - Reversing	R3: reversing DX4 OPL
7	-	Control - Nonreversing	QT: dual digital timer
	-	Control - Reversing	RQ: reversing dual digital timer
8	-	Control - Nonreversing	OM: OPL micro
	-	Control - Reversing	RM: reversing OPL micro
9	-	Control - Nonreversing	LC: network adaptable coin LX: network adaptable, prep for coin WC: network ready coin WX: network ready, prep for coin
10	-	Control - Nonreversing	LY: network adaptable, prep for card WY: network ready, prep for card

NOTE: Coin models have the following control suffixes: 3V, 3X, BC, BX, DV, DX, LC, LX, SD, SX, WC and WX.

NOTE: OPL models have the following control suffixes: 3O, BG, BL, BY, DO, LY, OM, QT, R3, RD, RM, RQ and WY.

Product Overview - Control Suffixes (Drawing 2 of 3)

C, D, H, I, L, P, S, U and Y Models



TMB3142P_70421901

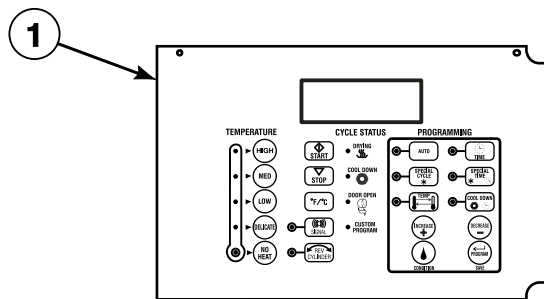
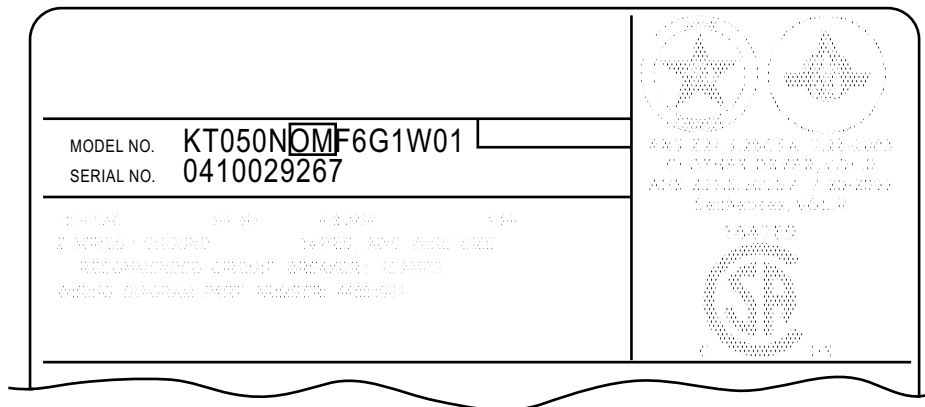
Product Overview - Control Suffixes (Drawing 2 of 3)

REF	PART NO.	DESCRIPTION	COMMENTS
1	-	Control - Reversing	U models; RU: reversing UniLinc OPL
	-	Control - Nonreversing	U models; UO: UniLinc OPL
2	-	Control - Reversing	S models; RE: reversing LED OPL
3	-	Control - Nonreversing	S models; EO: LED OPL
4	-	Control - Reversing	H models; RE: reversing LED OPL
5	-	Control - Nonreversing	H models; EO: LED OPL
6	-	Control - Reversing	U models; RE: reversing LED OPL
7	-	Control - Nonreversing	U models; EO: LED OPL
8	-	Control - Reversing	C, D and I models; RE: reversing LED OPL
9	-	Control - Nonreversing	C, D and I models; EO: LED OPL
10	-	Control - Reversing	P models; RE: reversing LED OPL
11	-	Control - Nonreversing	P models; EO: LED OPL
12	-	Control - Reversing	L and Y models; RE: reversing LED OPL
13	-	Control - Nonreversing	L and Y models; EO: LED OPL

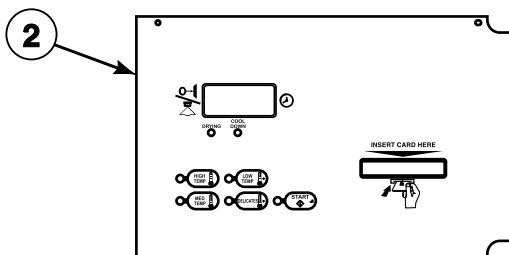
NOTE: OPL models have the following control suffixes: EO, RE, RU and UO.

Product Overview - Control Suffixes (Drawing 3 of 3)

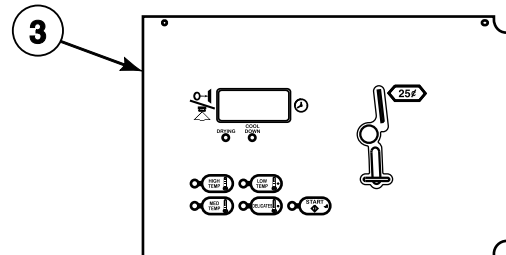
G and K Models



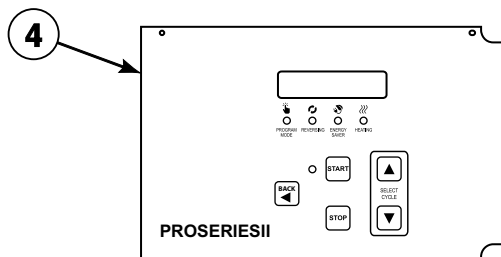
OM and RM Control Suffixes



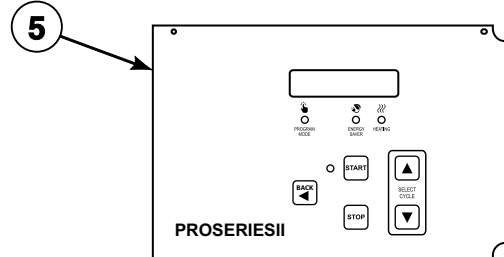
BG and BL Control Suffixes



BC and BX Control Suffixes



RE Control Suffix



EO Control Suffix

TMB3143P_70421901

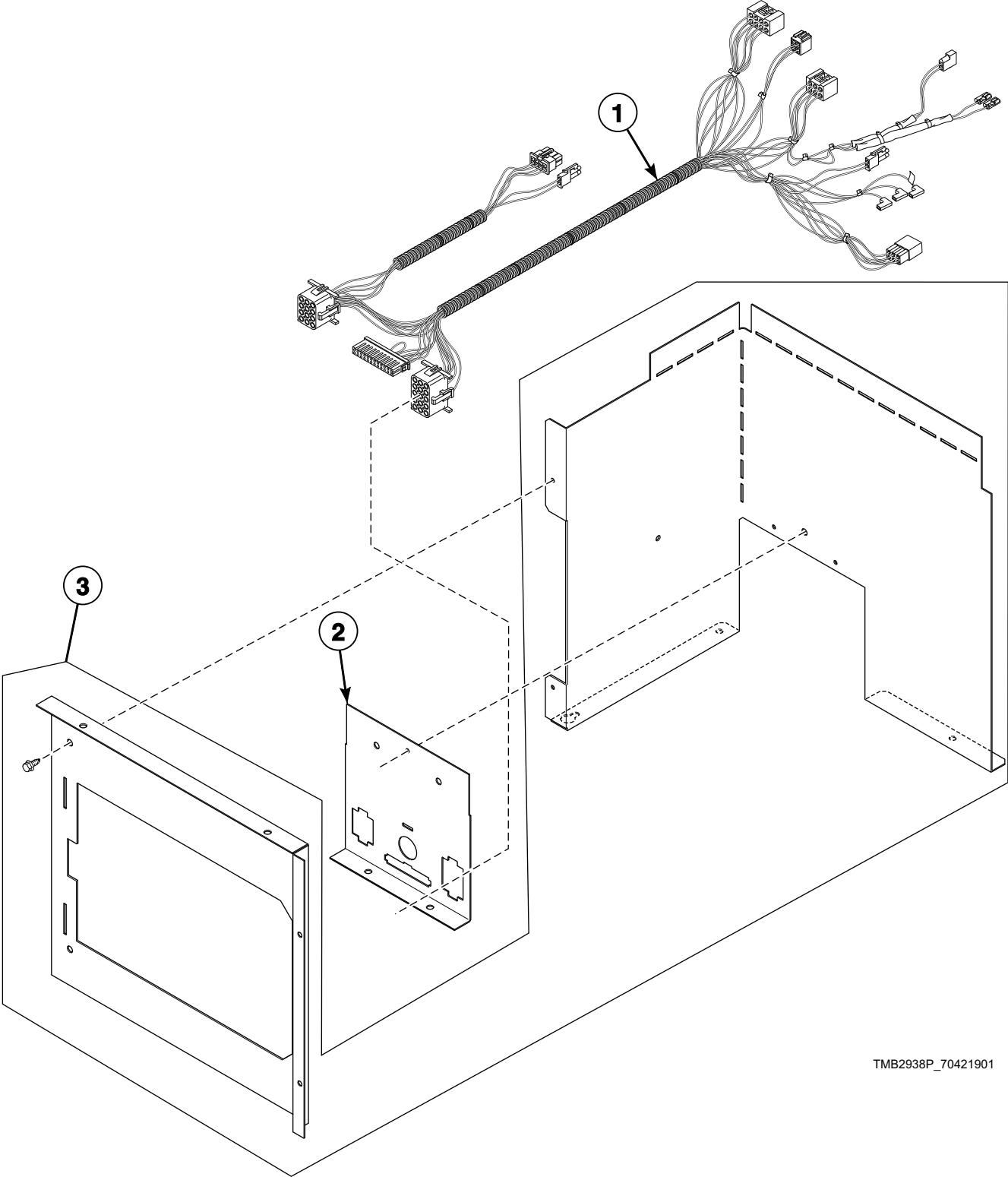
Product Overview - Control Suffixes (Drawing 3 of 3)

REF	PART NO.	DESCRIPTION	COMMENTS
1	-	Control - Nonreversing	OM: OPL micro
	-	Control - Reversing	RM: reversing OPL micro
2	-	Control - Nonreversing	BG: basic electronic, OPL mode BL: basic electronic, central pay
3	-	Control - Nonreversing	BC: basic electronic, coin BX: basic electronic, prep for coin
4	-	Control - Reversing	RE: reversing LED OPL
5	-	Control - Nonreversing	EO: LED OPL

NOTE: Coin models have the following control suffixes: BC and BX.

NOTE: OPL models have the following control suffixes: BG, BL, EO, OM, RE and RM.

Control Box



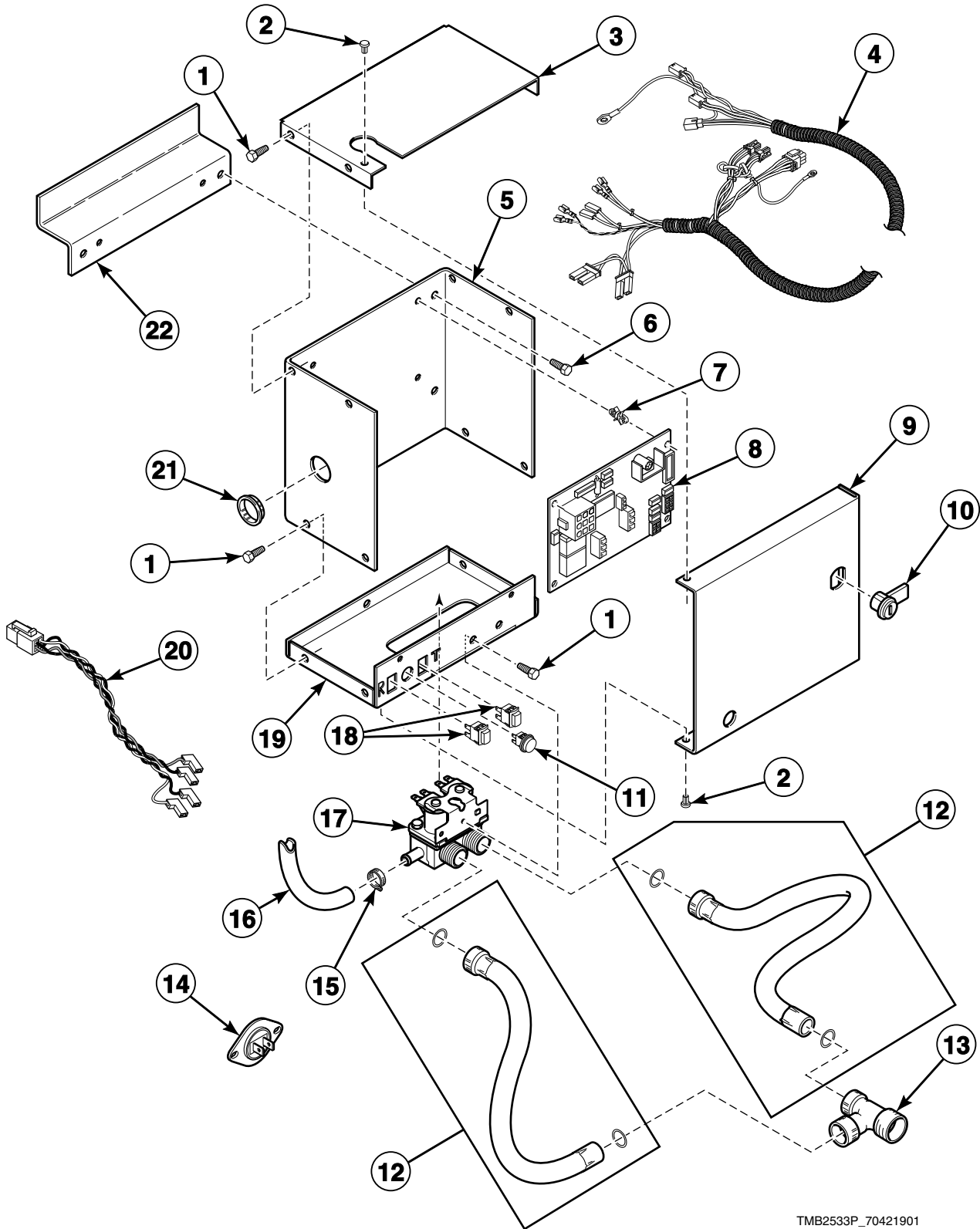
TMB2938P_70421901

Control Box

REF	PART NO.	DESCRIPTION	COMMENTS
1	44137401P	Main Harness	Models through 7/31/11
	44187001	Main Harness	Models starting 8/1/11
2	70307002	Control Housing Cover	WC, WX and WY control suffixes and machines with rotation sensor
	70307001	Control Housing Cover	All other control suffixes
3	44180101	Control Box Assembly	

Fire Suppression System Control Box

C, D, G, H, I, K, L, P, S and U Gas and Steam Models
Models through 7/31/11 with a F, K, L, N, T, U or W in the 11th character (ST075NLCF6K1W01)
Models starting 8/1/11 with a C, D or Y in the 11th character



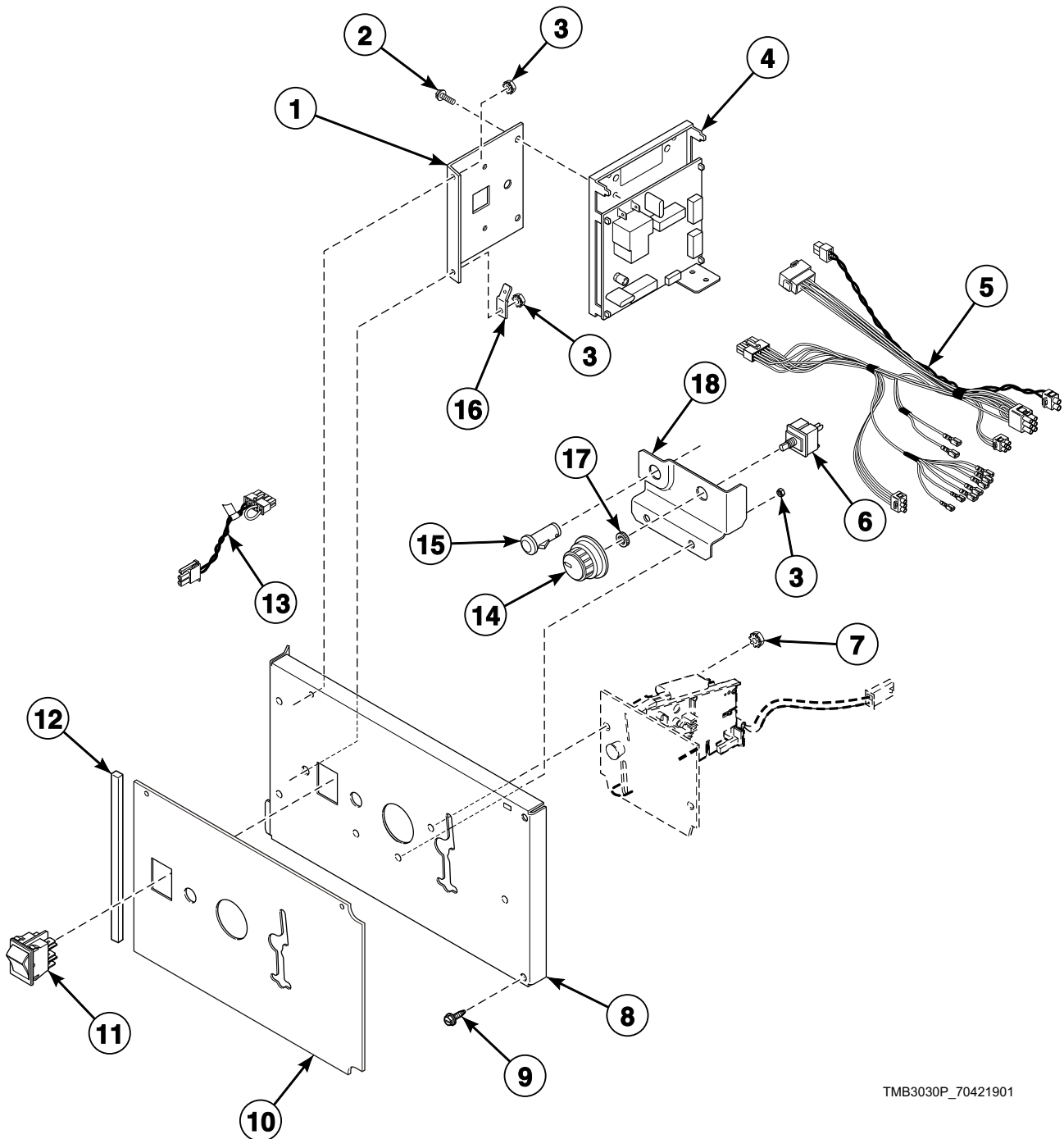
TMB2533P_70421901

Fire Suppression System Control Box

REF	PART NO.	DESCRIPTION	COMMENTS
1	430497	Screw	
2	M400713	Drive Rivet	
3	44065401	Control Box Top	
4	44141601P	Control Harness Assembly	
5	44065101	Control Box Housing	
6	51780	Screw	
7	501523	Circuit Board Support	4 required
8	44063801P	Control	
9	44065201	Control Box Cover	
10	44089301P	Lock, Key and Nut Kit	RL001 key code; Optional if same key is to be used for control lock
	70155601	Key	RL001
11	801432	Light	
12	F200116	Water Hose	2 required
13	44069101	Hose Fitting	
14	44064701	Thermistor	2 required
15	36801	Hose Clamp	
16	44073301	Hose	39 inches; Outlet hose
17	36958P	Mixing Valve	
18	801434W	Push-to-Start Switch	2 required
19	44065301	Control Box Base	
20	44141701P	Sensor Harness Assembly	
21	70178701	Snap Bushing	
22	44065901	Bracket	For mounting fire suppression system box to machine

Single Drop Controls

C, H, I and S Models Except HT075D, ST075D, STF Models and Thermal Oil Models
Models with SD and SX Control Suffixes



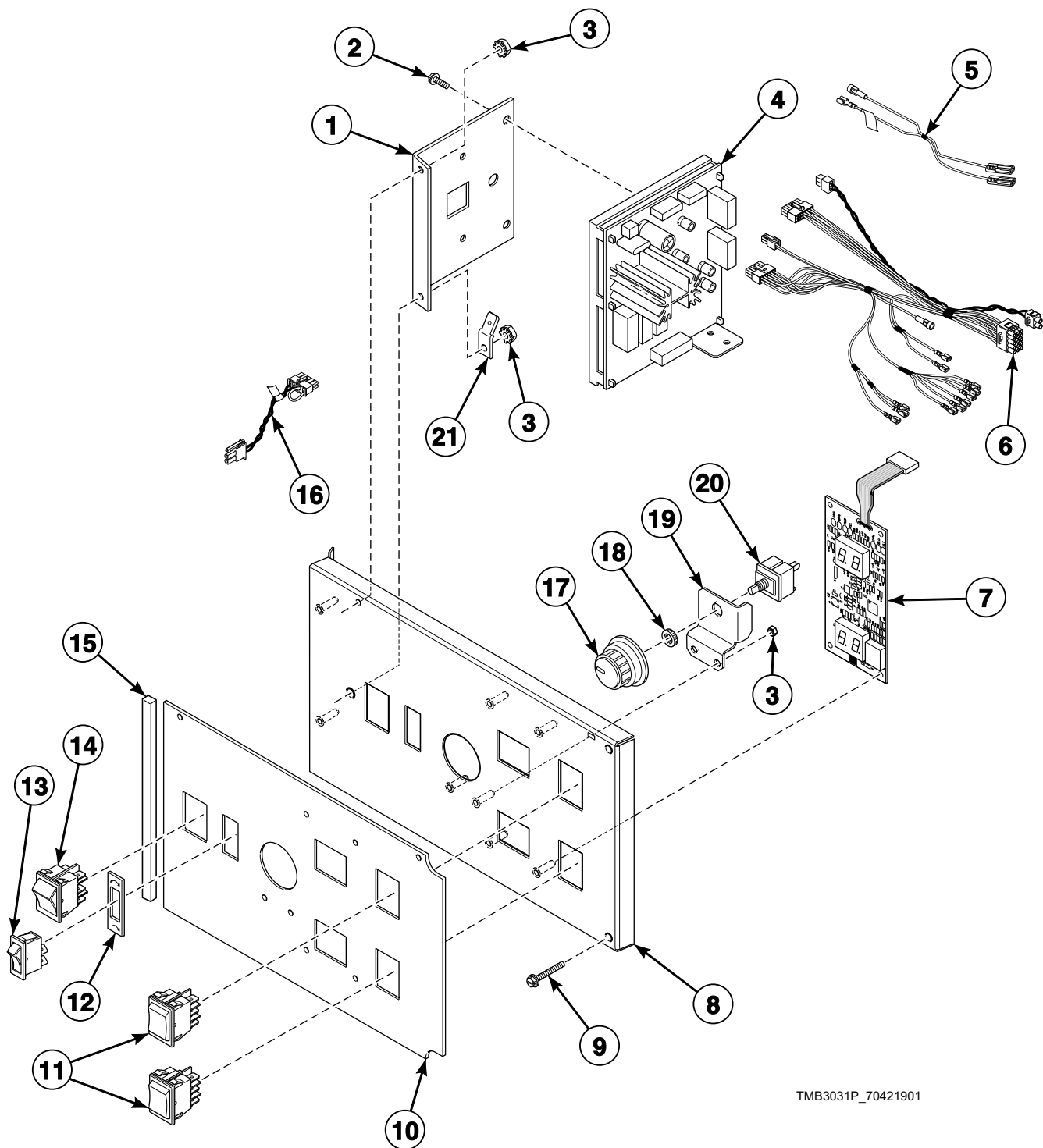
TMB3030P_70421901

Single Drop Controls

REF	PART NO.	DESCRIPTION	COMMENTS
1	70357901	Control Chassis Mounting Bracket	
2	501524	Screw	
3	70054	Nut	
4	513139P	Control Assembly	
5	70369001	Control Panel Harness	Non-CE and non-Australian models
	70398401	Control Panel Harness	CE and Australian models
6	511711	Temperature Selector Switch	
7	29786	Nut	
8	70363401	Control Door Assembly	
9	70069901	Screw	
10	70362901	Overlay	C, I and S models
	70363001	Overlay	H models
11	70455101	Rocker Switch	Start switch
12	70414101	Foam Gasket	
13	70324604	Jumper Calibration Wire	
14	44104601	Temperature Knob	
15	801431	Light	
16	00177	Male Tab Terminal	
17	24205	Nut	
18	70350201	Temperature Selector Bracket	

Dual Digital Timer Controls

C, H, I, L, P, S, U and Y Models Except STF, UB and UTF Models
G and K Models Starting 1/16/12
Models with QT and RQ Control Suffixes



TMB3031P_70421901

Dual Digital Timer Controls

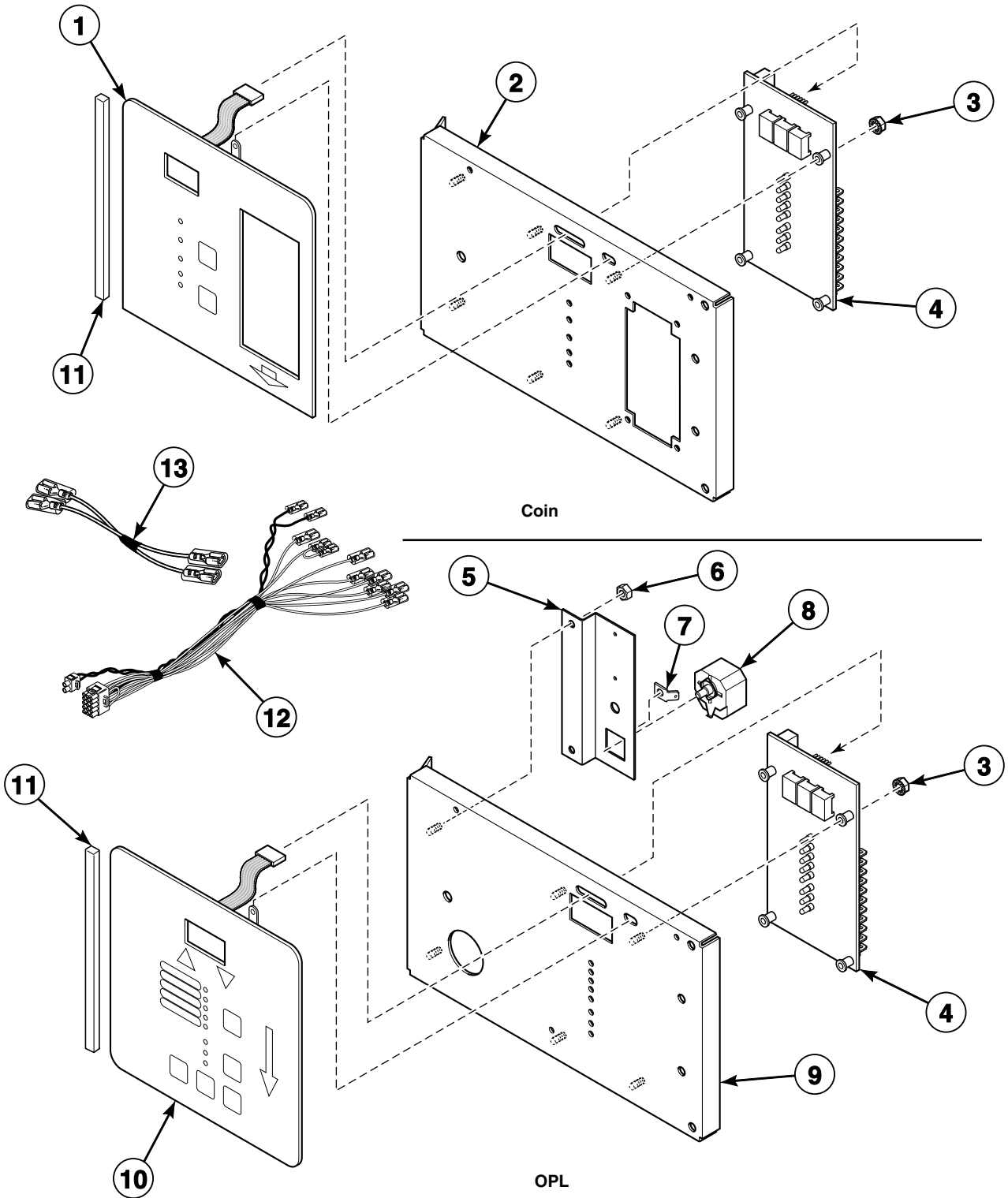
REF	PART NO.	DESCRIPTION	COMMENTS
1	70357901	Control Chassis Mounting Bracket	
2	501524	Screw	
3	70054	Nut	
4	512202P	Control Assembly	
5	44100101P	Control Harness	Reversing; Use in addition to item 6
6	70367001P	Control Panel Harness	
7	512218P	Display Assembly	
8	70360601	Control Plate Assembly	
9	70069901	Screw	
10	70362201	Overlay	C, G, I, K, L, S, U and Y models; Nonreversing
	70362202	Overlay	C, G, I, K, L, S, U and Y models; Reversing
	70362501	Overlay	H models; Nonreversing
	70362502	Overlay	H models; Reversing
	70362401	Overlay	P models; Nonreversing
	70362402	Overlay	P models; Reversing
11	70461301	Rocker Switch	
12	M413236	Switch Plate	Reversing
13	44099601	Rocker Switch	Reversing
14	70455101	Rocker Switch	Start switch
15	70414101	Foam Gasket	
16	70324604	Jumper Calibration Wire	
17	44104601	Temperature Knob	
18	24205	Nut	
19	70391701	Temperature Selector Switch Bracket	
20	511711	Temperature Selector Switch	
21	00177	Male Tab Terminal	

DMP Control

C and I Models

Models with DO, DV, DX and RD Control Suffixes

Coin Models Through 4/1/10; OPL Models Through 7/31/11



TMB3032P_70421901

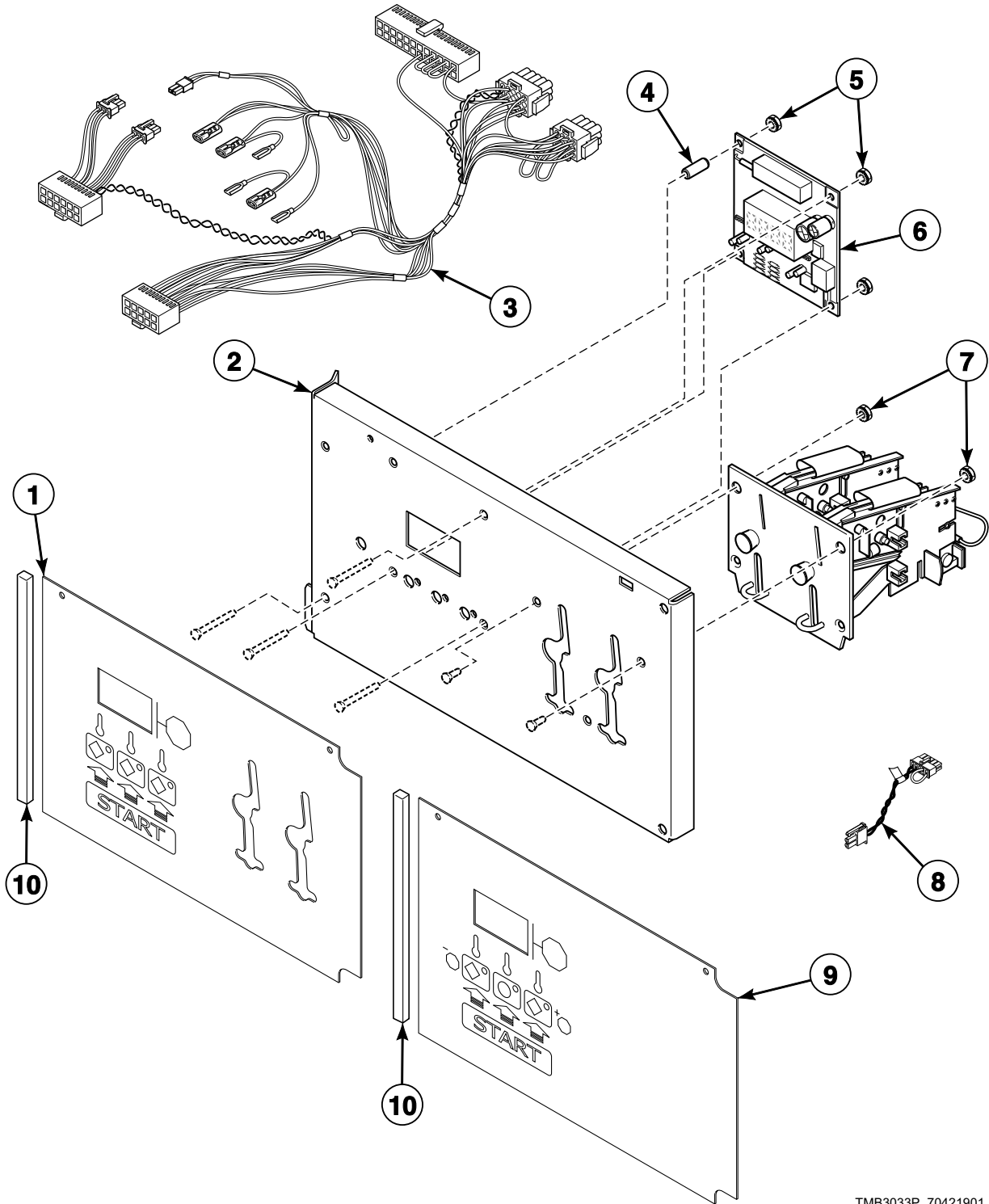
DMP Control

REF	PART NO.	DESCRIPTION	COMMENTS
	M4797P3	Control Conversion Kit	C models except CT075T and CU075T; DV and DX control suffixes
1	44039402P	Membrane Switch	Coin
2	44041001	Control Plate Assembly	Coin; Includes studs
3	29787	Nut	
4	44037801P	Electronic Control	
5	44041701	Relay/Buzzer Bracket	
6	70054	Nut	
7	00177	Male Tab Terminal	
8	505447	Adjustable Buzzer	
9	44040901	Control Plate Assembly	OPL; Includes studs
10	44037902P	Membrane Switch	OPL
11	70414101	Foam Gasket	
12	70341801P	Control Panel Harness Assembly	Non-CE models
	70341901P	Control Panel Harness	CE models; Coin
	70342001P	Control Panel Harness	CE models; OPL
13	44042701	Jumper Set Assembly	Coin; Use in addition to item 12
	44042801	Jumper Set Assembly	OPL; Buzzer; Use in addition to item 12

DX4 Electronic Control

D and I Models

Models with 30, 3V, 3X and R3 Control Suffixes



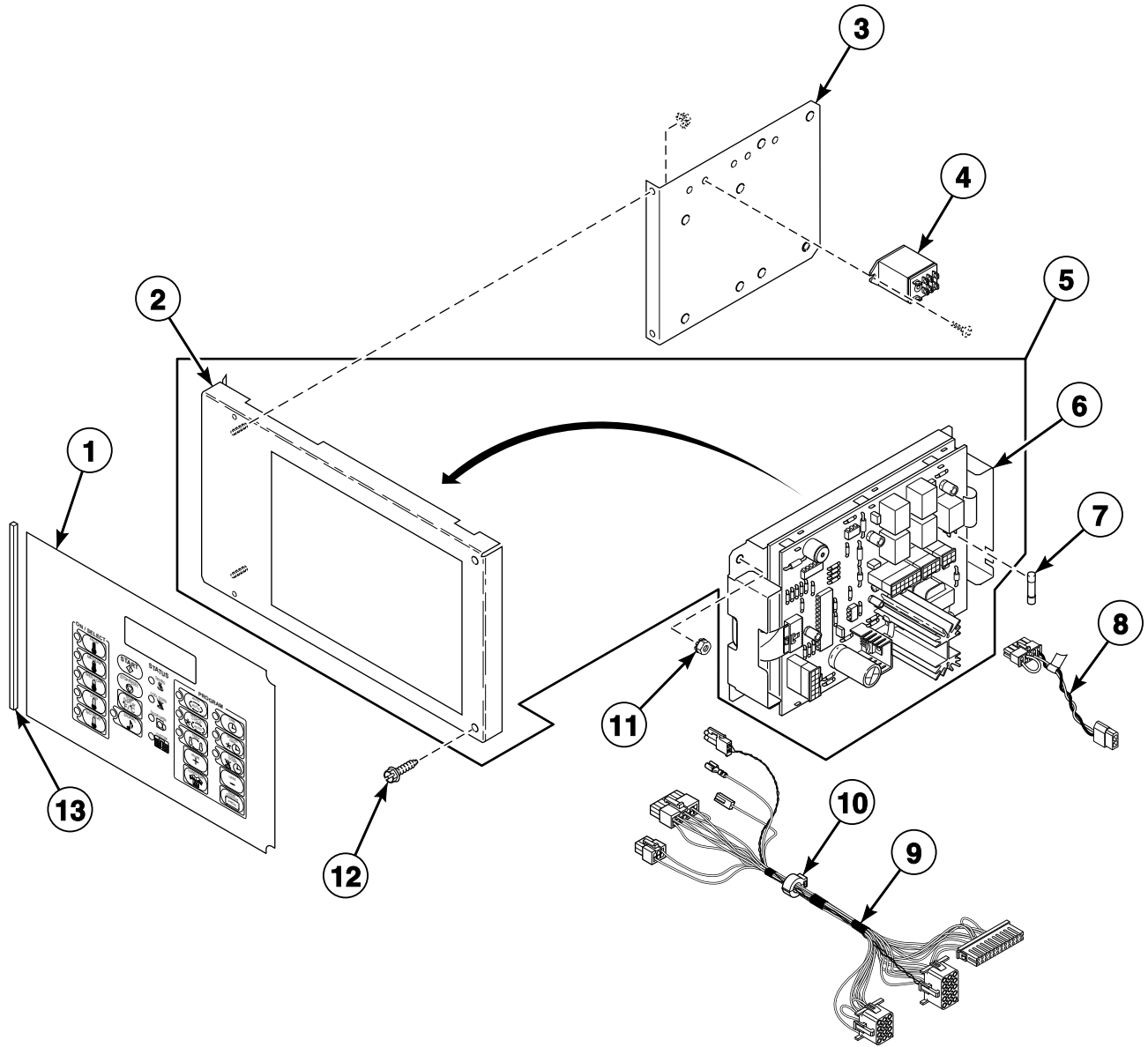
TMB3033P_70421901

DX4 Electronic Control

REF	PART NO.	DESCRIPTION	COMMENTS
1	44050502	Graphic Overlay	Dual; Coin; Models through 7/31/11
	44050501	Graphic Overlay	Single; Coin; Models through 7/31/11
	44239402	Graphic Overlay	Dual; Coin (shown); Models starting 8/1/11
	44239401	Graphic Overlay	Single; Coin; Models starting 8/1/11
2	44050701P	Control Plate Kit	Includes studs
3	70315601P	Control Panel Harness	Non-CE and non-Australian models
	70315701	Control Panel Harness Assembly	CE and Australian models
4	44050601	Sleeve	4 required
5	29787	Nut	
6	70462305P	Control Assembly	3O control suffix
	70462306P	Control Assembly	R3 control suffix
	70462365P	Control Assembly	3V and 3X control suffixes
7	29786	Nut	2 required
8	70324604	Jumper Calibration Wire	
9	44050401	Graphic Overlay	OPL; Models through 7/31/11
	44240501	Graphic Overlay	OPL; Models starting 8/1/11
10	70414101	Foam Gasket	

OPL Microprocessor Control

H, S and U Models Through 7/31/11; G, K, L and P Models
Models with OM and RM Control Suffixes



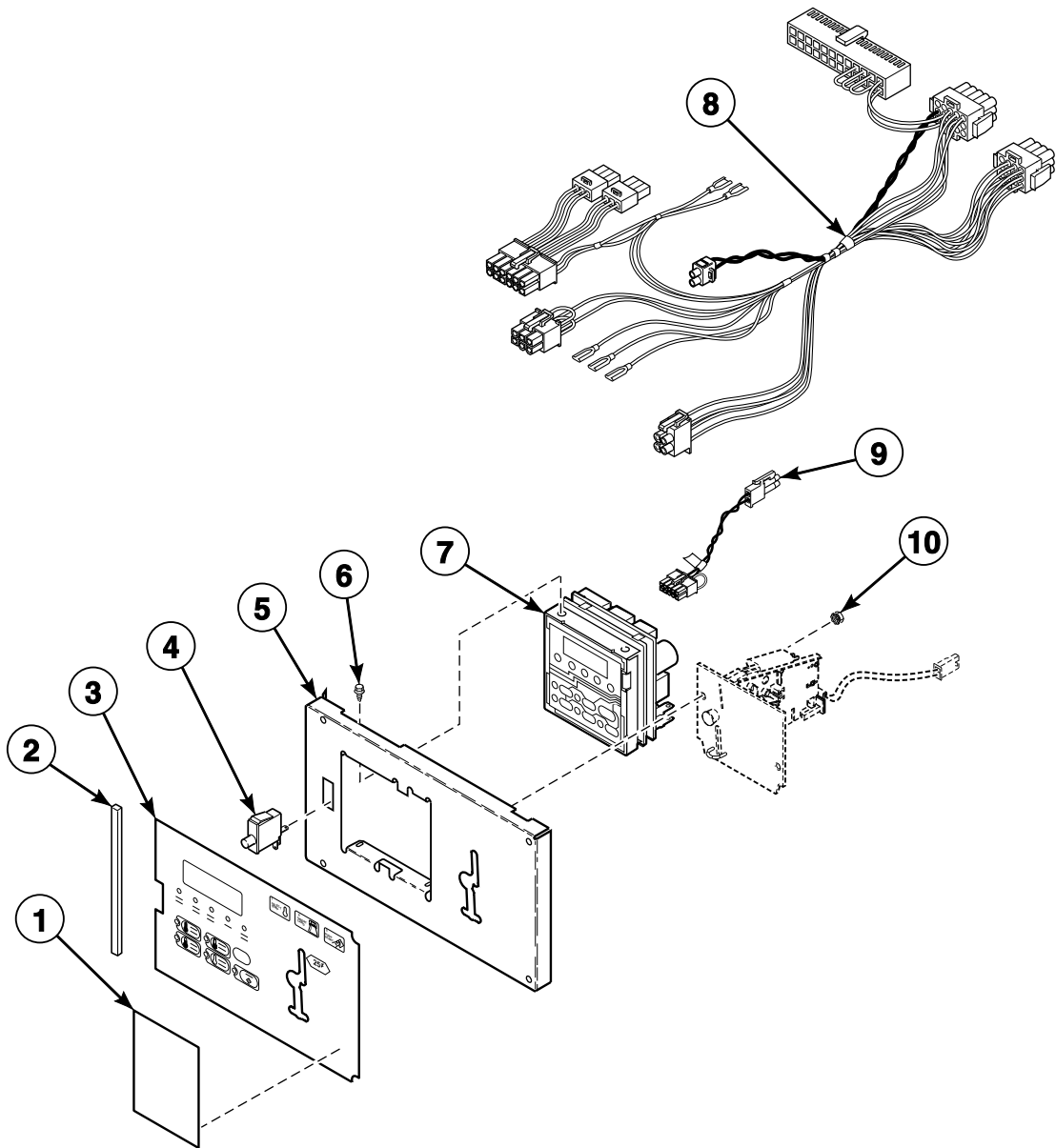
TMB3139P_70421901

OPL Microprocessor Control

REF	PART NO.	DESCRIPTION	COMMENTS
1	70115801	Overlay	L, S and U models; Nonreversing; Text and icon
	70128401	Overlay	L, S and U models; Reversing; Text and icon
	70130401	Overlay	S and U models; Nonreversing; Icon
	70130501	Overlay	S and U models; Reversing; Icon
	70128701	Overlay	H models; Nonreversing; Text and icon
	70128601	Overlay	H models; Reversing; Text and icon
	70130601	Overlay	H models; Nonreversing; Icon
	70130701	Overlay	H models; Reversing; Icon
	70130301	Overlay	P models; Nonreversing; Text and icon
	70135301	Overlay	P models; Reversing; Text and icon
	44130002	Overlay	G and K models; Nonreversing; Text and icon
	44130001	Overlay	G and K models; Reversing; Text and icon
	2	70175805	Control Plate Assembly
3	44018601	Temperature Control Bracket	
4	M412534	Relay	
5	44013601P	Control Assembly	Does not include overlay or control panel harness
6	70228401P	Control Kit	With tape
7	70406501	Fuse	
8	70084304	Jumper Calibration Wire	OM control suffix
	70084305	Jumper Calibration Wire	RM control suffix
9	70335301P	Control Panel Harness	Non-CE models
	70382701P	Control Panel Harness	CE models
10	M413930P	Ferrite Core Assembly	
11	70054	Nut	4 required
12	70069901	Screw	2 required
13	70414101	Foam Gasket	

Coin Drop Components for MDC Models

G, H, K, L, P and S Models Except STF Models and Thermal Oil Models
Models with BC, BL and BX Control Suffixes



TMB3035P_70421901

Coin Drop Components for MDC Models

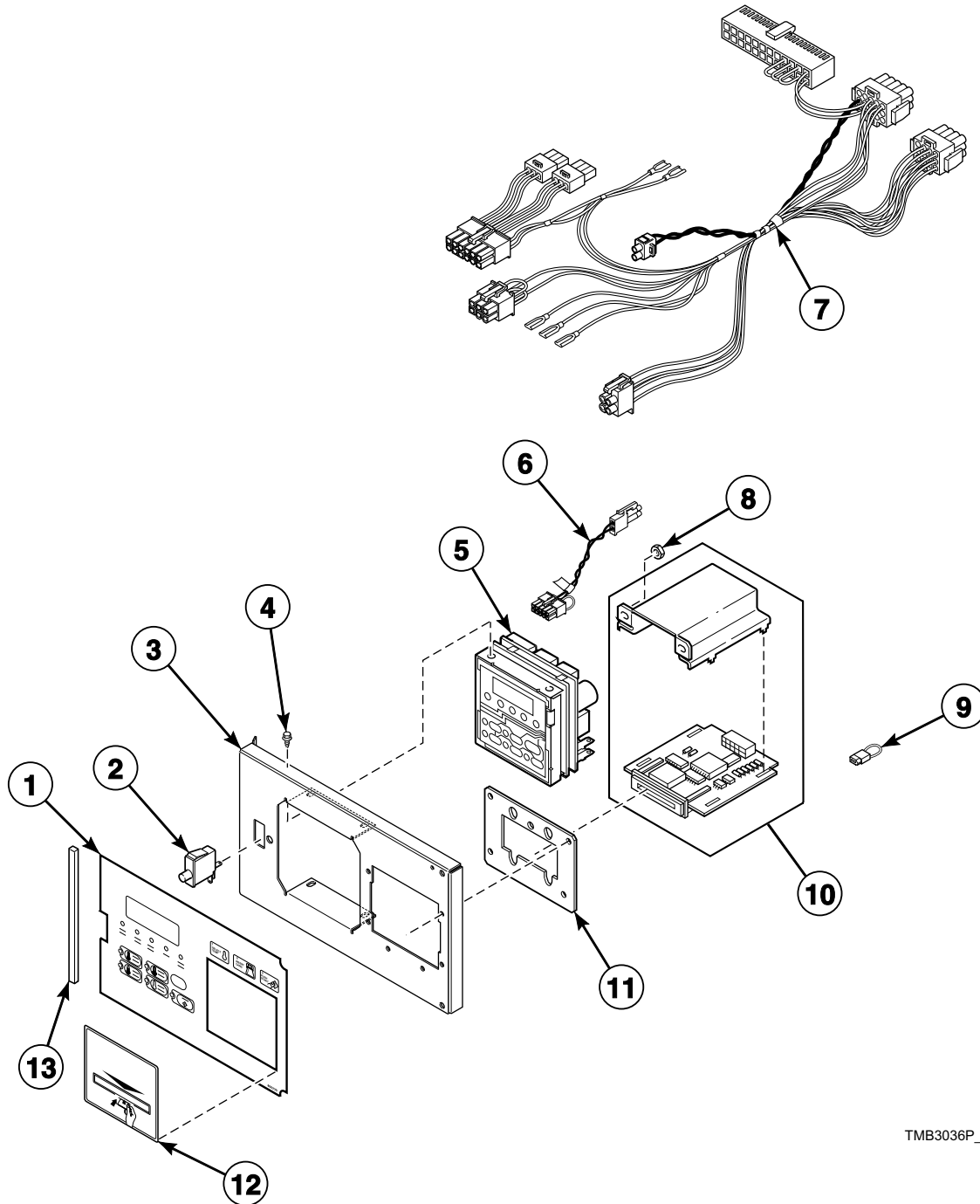
REF	PART NO.	DESCRIPTION	COMMENTS
	70321201	Coin Drop Overlay Kit	P models
1	39564	Coin Drop Overlay	S models with BL** control suffix; Cover
	70246301	Coin Cover Overlay	L models with BL** control suffix; Cover
	70286701	Overlay	P models with BL** control suffix; Cover
	70275401	Overlay	H models with BL** control suffix; Cover
2	70414101	Foam Gasket	
3	70257701	Overlay	L and S models with BC, BL** and BX control suffixes; Text; Single drop
	70261001	Overlay	L and S models with BC, BL** and BX control suffixes; Icon; Single drop
	70257702	Overlay	L and S models with BC and BX control suffixes; Dual drop
	70261002	Overlay	L and S models with BC and BX control suffixes; Dual drop
	70258001	Overlay	H models with BC, BL** and BX control suffixes; Text; Single drop
	70261201	Overlay	H models with BC, BL** and BX control suffixes; Icon; Single drop
	70258002	Overlay	H models with BC and BX control suffixes; Dual drop
	70261202	Overlay	H models with BC and BX control suffixes; Icon; Dual drop
	70129501	Overlay	P models with BC* and BX* control suffixes; Single drop
	70129601	Overlay	P models with BC* and BX* control suffixes; Dual drop
	70321001	Overlay	P models with BC* and BX* control suffixes; World drop
	70259001	Overlay	P models with BC* and BX* control suffixes
	70453001	Overlay	G and K models; Text; Single drop
	70453002	Overlay	G and K models; Text; Dual drop
	4	70107001	Pushbutton Switch
5	70291001P	Control Plate Kit	
6	501524	Screw	4 required for mounting control
7	511867P	Control Assembly	
8	70429101P	Control Panel Harness	Non-CE models
	70429201P	Control Panel Harness	CE models
9	70324604	Jumper Calibration Wire	
10	29786	Nut	3 required

* NOTE: P models with BC or BX control suffixes require an overlay and coin drop overlay.

** NOTE: BL control suffix requires an overlay and overlay cover specific to model.

Central Pay and Card Reader MDC Models

G, H, K, L, P and S Models Except STF Models and Thermal Oil Models
Models with BL and BY Control Suffixes; Models with BG Control Suffix Through 1/15/12



TMB3036P_70421901

Central Pay and Card Reader MDC Models

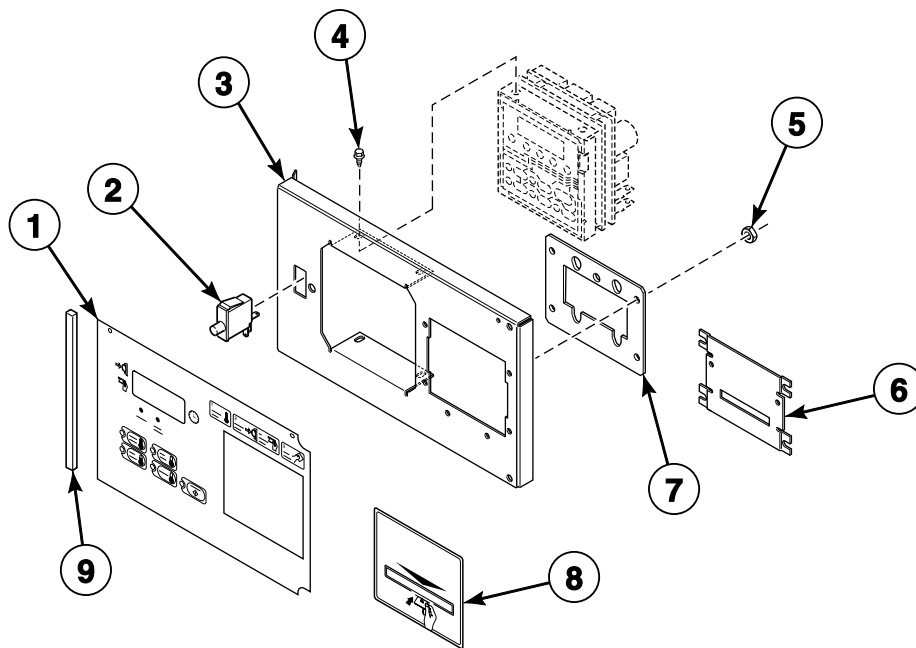
REF	PART NO.	DESCRIPTION	COMMENTS
1	70266701	Overlay	L and S models with BY control suffix; Text
	N/A	Overlay	L and S models with BY control suffix; Icon
	70257703	Overlay	L and S models except model ST075D with BY control suffix; Text
	70261003	Overlay	L and S models except model ST075D with BY control suffix; Icon
	70259001	Overlay	P models with BL* control suffix
	70266801	Overlay	H models with BY control suffix; Text
	70258003	Overlay	H models except model HT075D with BY control suffix; Text
	70453101	Overlay	G and K models with BG and BY control suffixes; Text
2	70107001	Pushbutton Switch	
3	70348801	Control Plate Assembly	H, P and S models except models HT075D and ST075D with BY control suffix
	70291001P	Control Plate Kit	H, L, P and S models with BL control suffix
4	501524	Screw	
5	511867P	Control Assembly	
6	70324604	Jumper Calibration Wire	
7	70429101P	Control Panel Harness	Non-CE models
	70358701	Control Panel Harness	CE models
8	70054	Nut	
9	N/A	Bypass Jumper Wire	
10	510068P	Card Reader and Bracket Assembly	
11	70208801	Mounting Plate	H, P and S models except models HT075D and ST075D with BY control suffix
12	70334201	Card Reader Overlay	S models; Black
	70334301	Card Reader Overlay	H models; Gray
	70246301	Coin Cover Overlay	G, K and L models
13	70414101	Foam Gasket	

N/A = Part no longer available

* NOTE: BL control suffix requires an overlay and overlay cover specific to model.

Optional Card Reader Mountings for MDC Models

H, K, L and S Models Except STF Models and Thermal Oil Models
Models with BY Control Suffix

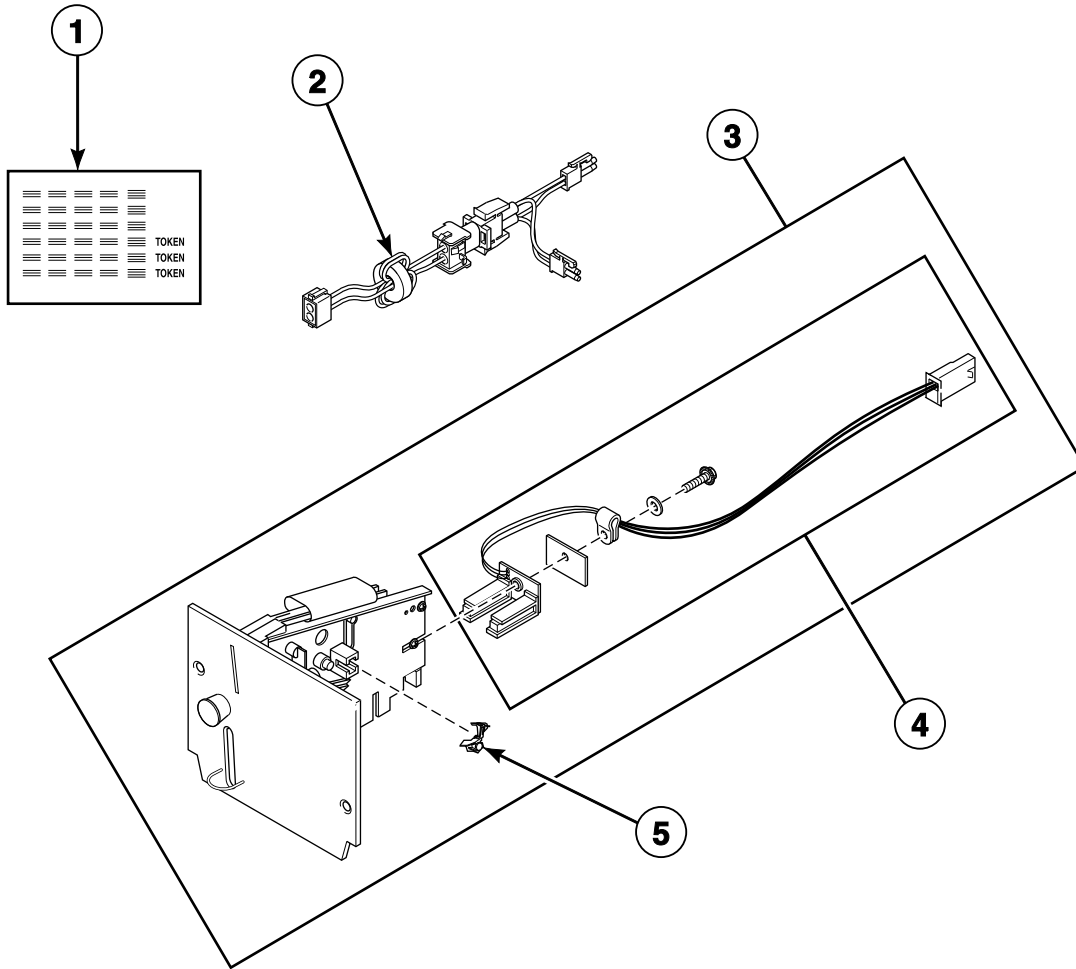


TMB3037P_70421901

Optional Card Reader Mountings for MDC Models

REF	PART NO.	DESCRIPTION	COMMENTS
1	70257703	Overlay	L and S models; Text and icon
	70258003	Overlay	H models; Text and icon
	70453101	Overlay	K models
2	70107001	Pushbutton Switch	
3	70348801	Control Plate Assembly	
4	501524	Screw	4 required
5	70054	Nut	4 required
6	44089501	Slot Card Plate Assembly	Included in literature packet
7	70208801	Mounting Plate	
8	70334201	Card Reader Overlay	Black; Included in literature packet
	70334301	Card Reader Overlay	Gray; Included in literature packet
9	70414101	Foam Gasket	

Coin Drops



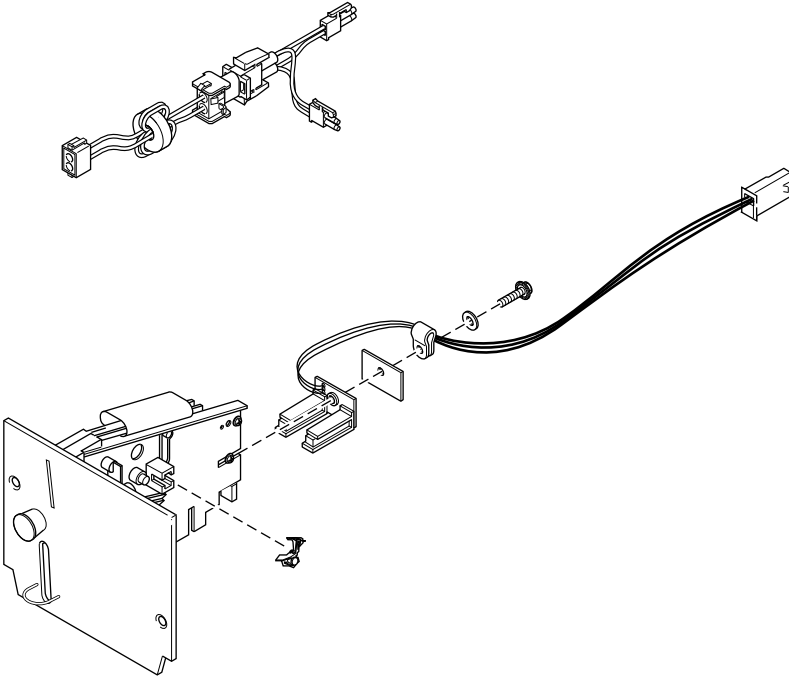
TMB2921P_70421901

Coin Drops

REF	PART NO.	DESCRIPTION	COMMENTS
1	38725	Coin Identification Paper	
2	44065801	Electronic Coin Drop Harness	Included in CK502 Electronic Coin Drop Kit
3	70294103P	Electronic Coin Drop Assembly	United Kingdom (default) and Europe
	70294104	Electronic Coin Drop Assembly	Euro (default), Denmark and Norway
	70294105P	Electronic Coin Drop Assembly	Australian (default), New Zealand, Hong Kong, South Korea and Malaysia
	70294106	Electronic Coin Drop Assembly	Mexico (default), Ecuador and USA dollar
	70294109	Electronic Coin Drop Assembly	Malaysia (default), China, Russia and Singapore
	70294107	Electronic Coin Drop Assembly	Lithuania (default), Latvia and Europe
	70441601P	Coin Drop	USA; \$.25; Single
	70256402P	Coin Drop	USA; \$.25 and \$1.00; Dual
	70429001	Coin Drop	D models; USA
	38475	Coin Drop Assembly	Japan; 100 yen
	38519	Coin Drop Assembly	Japan; 100 and 500 yen
	38467	Coin Drop Assembly	Australia; .20 and 1.00
	70447301	Coin Drop Assembly	Australia; 1.00 and 2.00
	39748	Coin Drop	Token; Jeton; CE models
	210195	Coin Drop Assembly	Euro; .20 and 1.00
	210196	Coin Drop Assembly	Euro; .50 and 1.00
	70283102	Coin Drop Assembly	Euro; .20 and .50
	70294111	Electronic Coin Drop Assembly	Euro; .10, .20, .50, 1.00 and 2.00
	38462P	Coin Drop Assembly	Token; 118-1
	38463	Coin Drop Assembly	Token; 118-5
	70471601	Coin Drop Assembly	Token; 7K
	38464P	Coin Drop Assembly	Canada; .25
	70441602	Coin Drop Assembly	Canada; .25 and 1.00
	38472	Coin Drop Assembly	England; 20 pence and 1 pound
	38521	Coin Drop Assembly	Korea; 100 and 500 won
	38963P	Coin Drop	Token; 118-16
	39157	Coin Drop Assembly	Israel; Shekel
CK077	Coin Drop Kit	Taiwan; 10 NT	
70281102	Coin Drop Assembly	Taiwan; Dual drop	
44039701P	Coin Drop Assembly	USA; \$.25; DO, DV, DX and RD control suffixes	
44039702	Coin Drop Assembly	Mexico; 2 peso; DO, DV, DX and RD control suffixes	
44039703	Coin Drop Assembly	Token; .880; DO, DV, DX and RD control suffixes	
44039704	Coin Drop Assembly	Japan; 100 yen; DO, DV, DX and RD control suffixes	
44039705	Coin Drop Assembly	England; 20 pence; DO, DV, DX and RD control suffixes	
44039706	Coin Drop Assembly	Token; .800; DO, DV, DX and RD control suffixes	
44039707	Coin Drop Assembly	England; 50 pence; DO, DV, DX and RD control suffixes	
	N/A	Coin Drop Assembly	5 and 10 krone
4	200674P	Opto Coupler	
5	201595P	Wire Guard	

N/A = Part no longer available

Coin Drop Kits



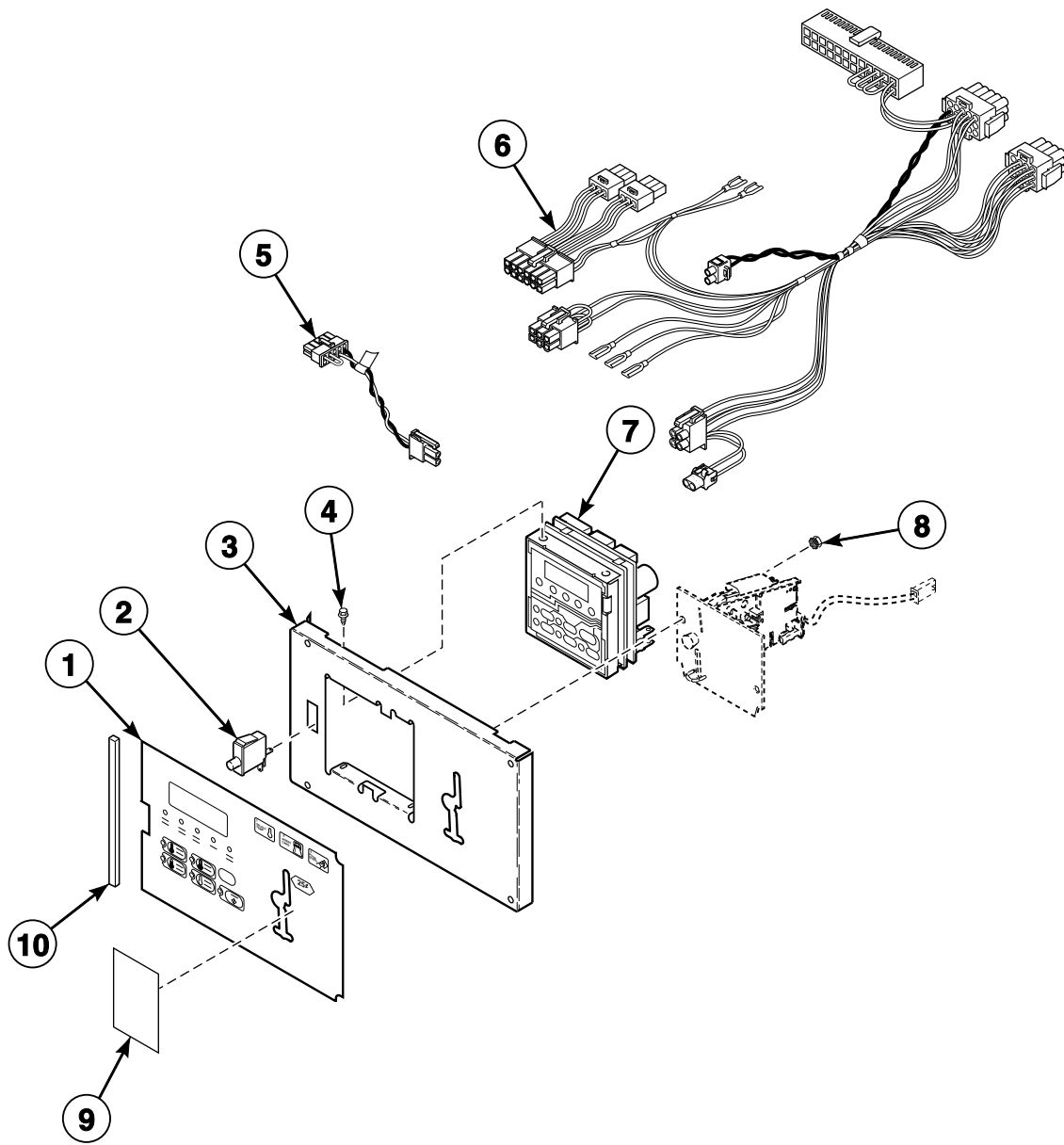
TMB2738PA_70421901

Coin Drop Kits

REF	PART NO.	DESCRIPTION	COMMENTS
	CK502	Electronic Coin Drop Kit	Includes 44065801 Electronic Coin Drop Harness and wiring diagram supplement
	CK115	Electronic Coin Drop Kit	USA and Canada; In addition to this kit, order CK502 Electronic Coin Drop Kit
	CK113	Electronic Coin Drop Kit	Japan and Taiwan; In addition to this kit, order CK502 Electronic Coin Drop Kit
	CK099	Electronic Coin Drop Kit	Australia (default), New Zealand, Hong Kong, South Korea and Malaysia; In addition to this kit, order CK502 Electronic Coin Drop Kit
	CK100	Electronic Coin Drop Kit	United Kingdom (default) and Europe; In addition to this kit, order CK502 Electronic Coin Drop Kit
	CK101	Electronic Coin Drop Kit	Euro (default), Denmark and Norway; In addition to this kit, order CK502 Electronic Coin Drop Kit
	CK103	Electronic Coin Drop Kit	Lithuania (default), Latvia and Europe; In addition to this kit, order CK502 Electronic Coin Drop Kit
	CK106	Electronic Coin Drop Kit	Malaysia (default), China, Russia and Singapore; In addition to this kit, order CK502 Electronic Coin Drop Kit
	CK108	Electronic Coin Drop Kit	South Africa; In addition to this kit, order CK502 Electronic Coin Drop Kit
	CK109	Electronic Coin Drop Kit	Euro; In addition to this kit, order CK502 Electronic Coin Drop Kit

Coin Drop Components for NetMaster Models

KT Models Through Serial No. 0904002963
Models with NC and NX Control Suffixes



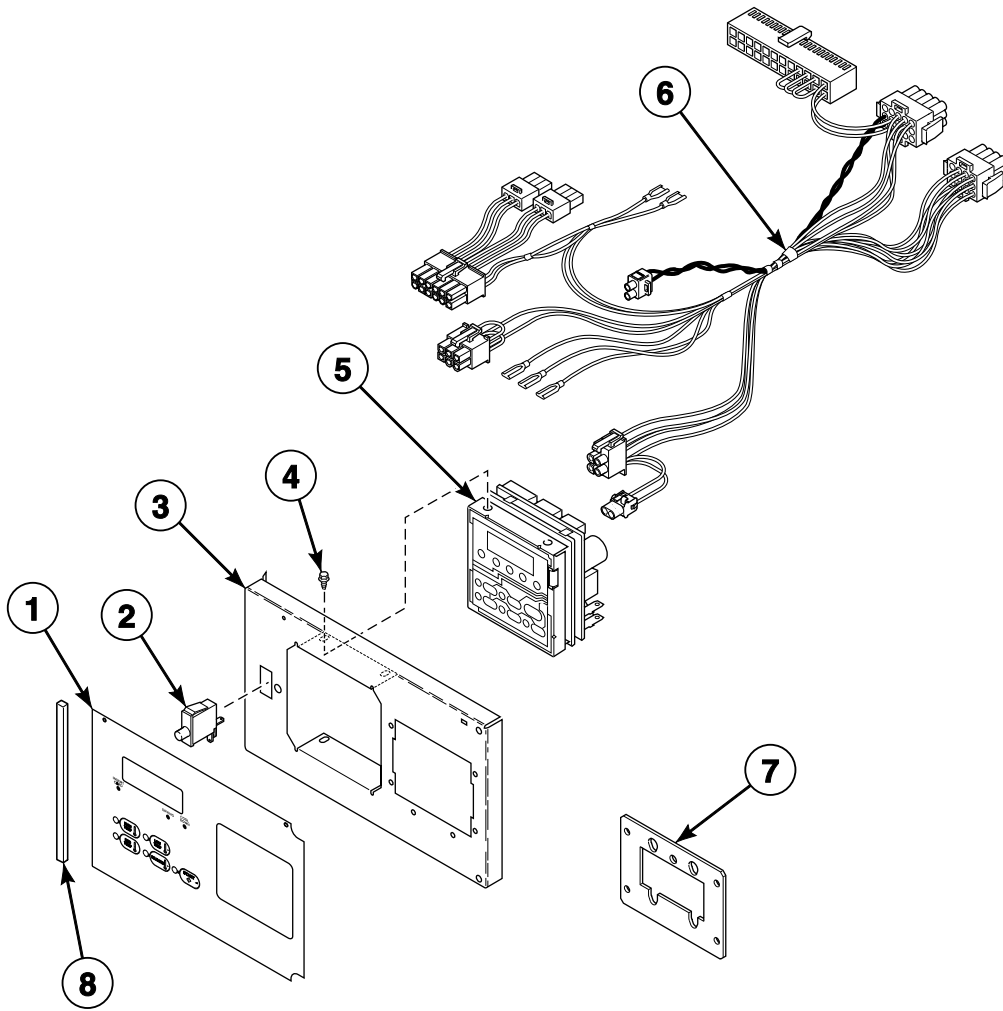
TMB3041P_70421901

Coin Drop Components for NetMaster Models

REF	PART NO.	DESCRIPTION	COMMENTS
	70291001P	Control Plate Kit	Includes item 3, 29786 Nut and 70292801 Washer
1	44144301	Overlay	Single drop
	44144302	Overlay	Dual drop
2	70107001	Pushbutton Switch	
3	70419701	Control Plate Assembly	
4	501524	Screw	For mounting control
5	70324604	Jumper Calibration Wire	
6	70368001P	Control Panel Harness	
7	505905P	Control Kit	
8	70054	Nut	
9	44147801	Overlay	
10	70414101	Foam Gasket	

Card Reader NetMaster Models

KT Models Through Serial No. 0904002963
Models with NY Control Suffix



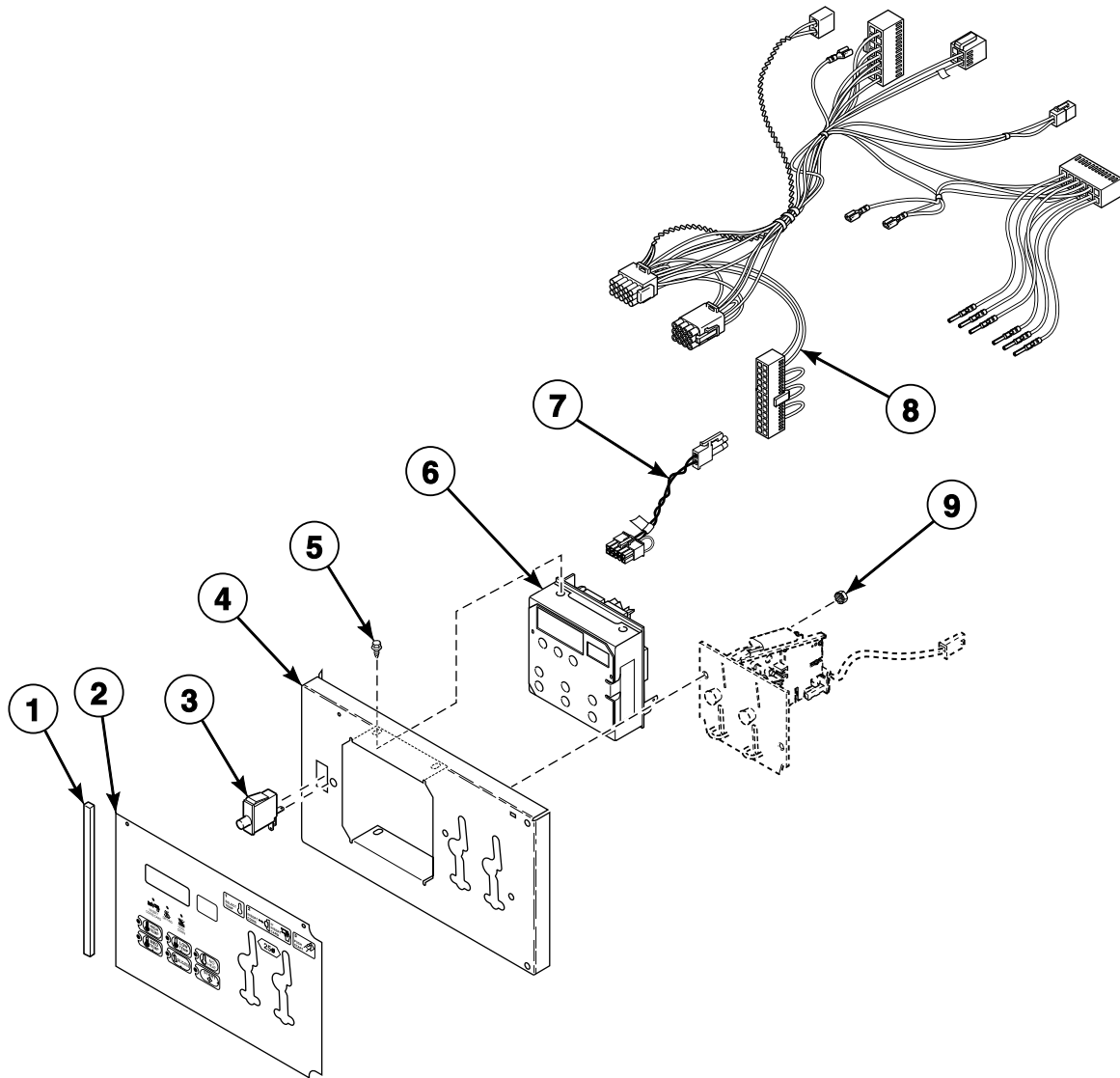
TMB3042P_70421901

Card Reader NetMaster Models

REF	PART NO.	DESCRIPTION	COMMENTS
1	44149301	Overlay	
2	70107001	Pushbutton Switch	
3	70348801	Control Plate Assembly	
4	501524	Screw	4 required
5	505905P	Control Kit	Includes tape
6	70368001P	Control Panel Harness	
7	70208801	Mounting Plate	
8	70414101	Foam Gasket	

Coin Drop Components for Quantum Control

S Models
Models with LC, LX, WC and WX Control Suffixes



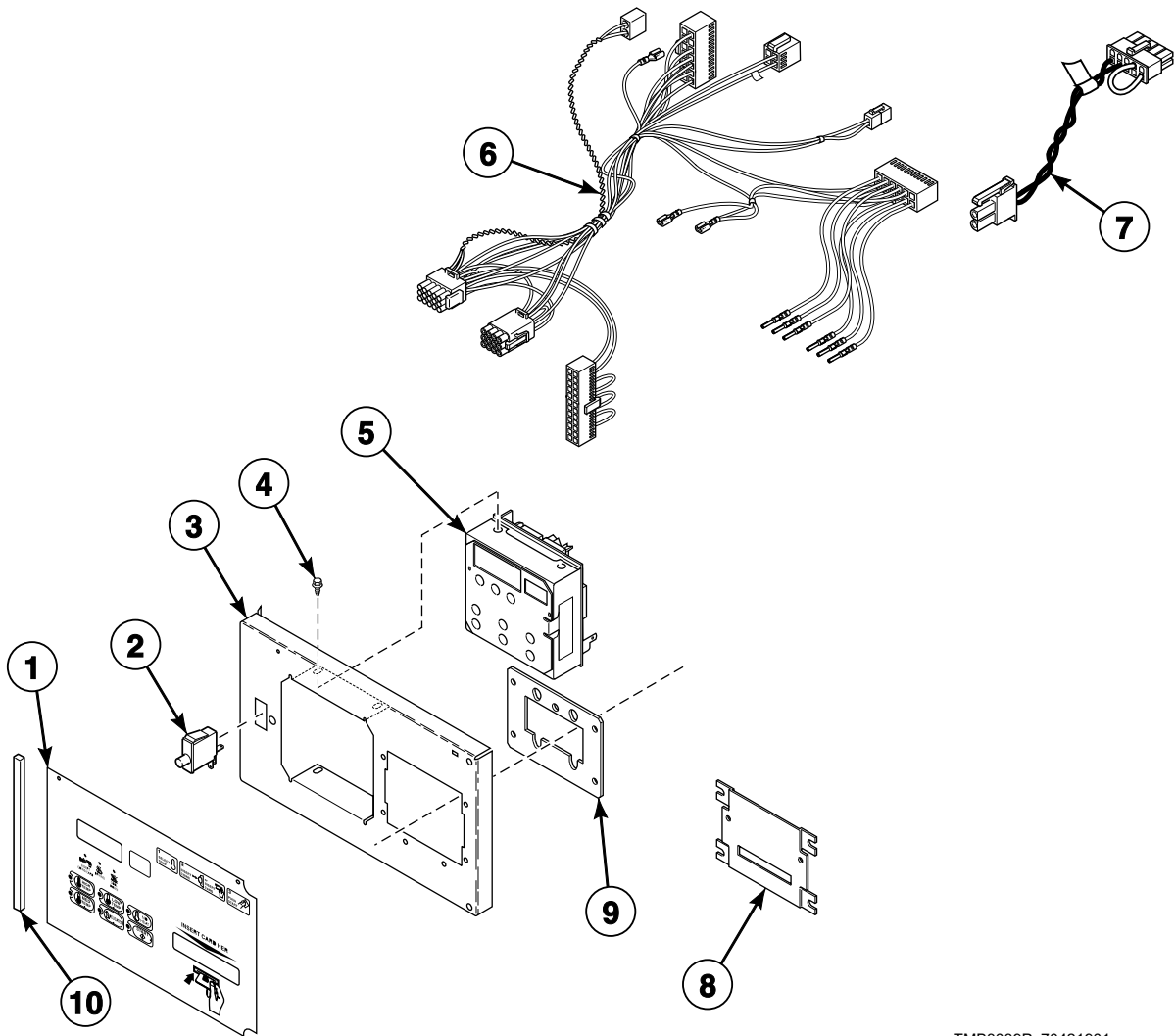
TMB3038P_70421901

Coin Drop Components for Quantum Control

REF	PART NO.	DESCRIPTION	COMMENTS
	NK208	Network Retrofit Kit	LC and LX control suffixes
	NK220	Network Controller Kit	LC and LX control suffixes
1	70414101	Foam Gasket	
2	44194801	Control Overlay	Model ST075D
	70449501	Control Overlay	Model ST075D
	70410001	Control Overlay	Single drop; All models except ST075D
	70410002	Control Overlay	Dual drop; All models except ST075D
3	70107001	Pushbutton Switch	
4	70291001P	Control Plate Kit	
5	501524	Screw	4 required for mounting control
6	512858P	Control Kit	
7	70324604	Jumper Calibration Wire	
8	70410401P	Control Panel Harness	
9	29786	Nut	2 required

Card Reader Components for Quantum Control

S Models
Models with LY and WY Control Suffixes



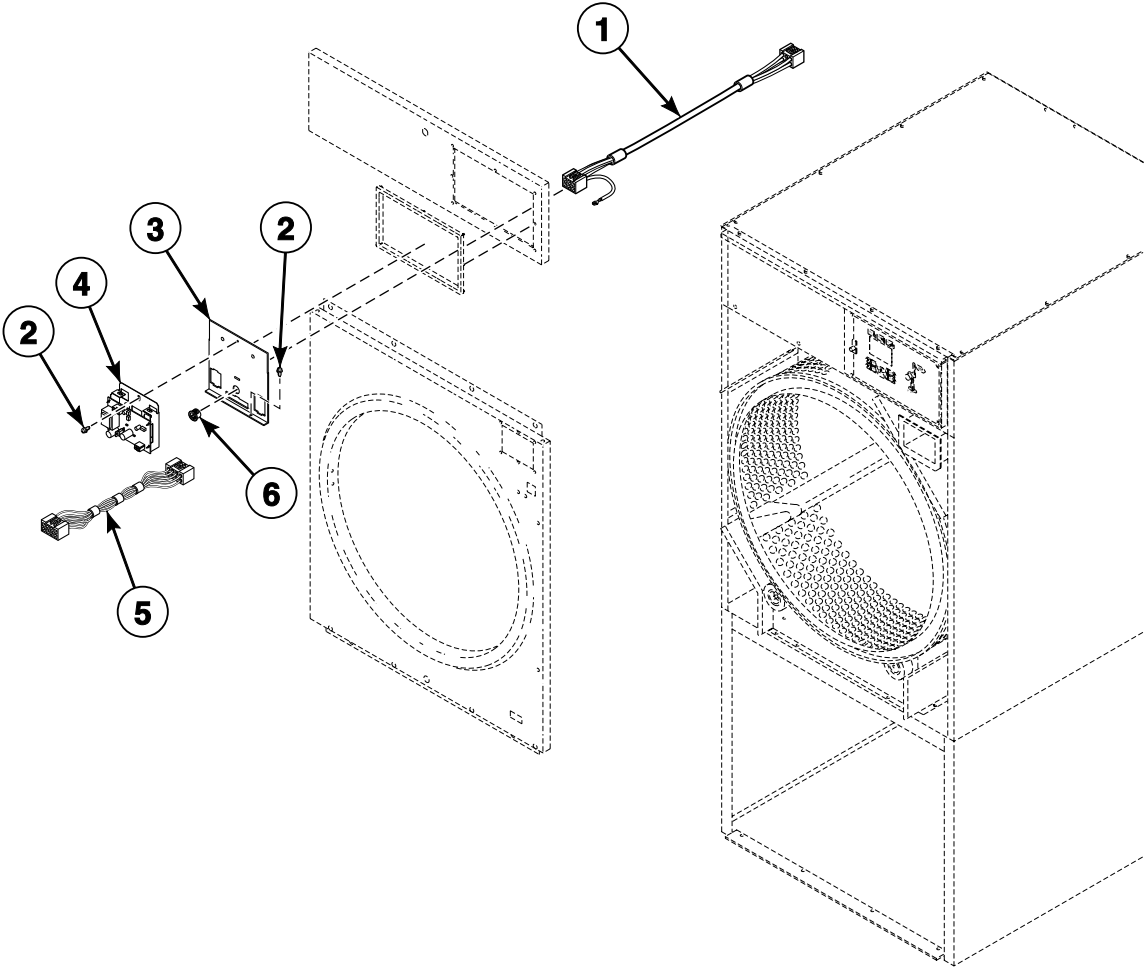
TMB3039P_70421901

Card Reader Components for Quantum Control

REF	PART NO.	DESCRIPTION	COMMENTS
	NK208	Network Retrofit Kit	LY control suffix
	NK220	Network Controller Kit	LY control suffix
1	70410003	Overlay	
2	70107001	Pushbutton Switch	
3	70348801	Control Plate Assembly	
4	501524	Screw	4 required
5	512858P	Control Kit	
6	70410401P	Control Panel Harness	
7	70324604	Jumper Calibration Wire	
8	44089501	Slot Card Plate Assembly	
9	70208801	Mounting Plate	
10	70414101	Foam Gasket	

Network Board for Quantum Control

S Models
Models with WC, WX and WY Control Suffixes



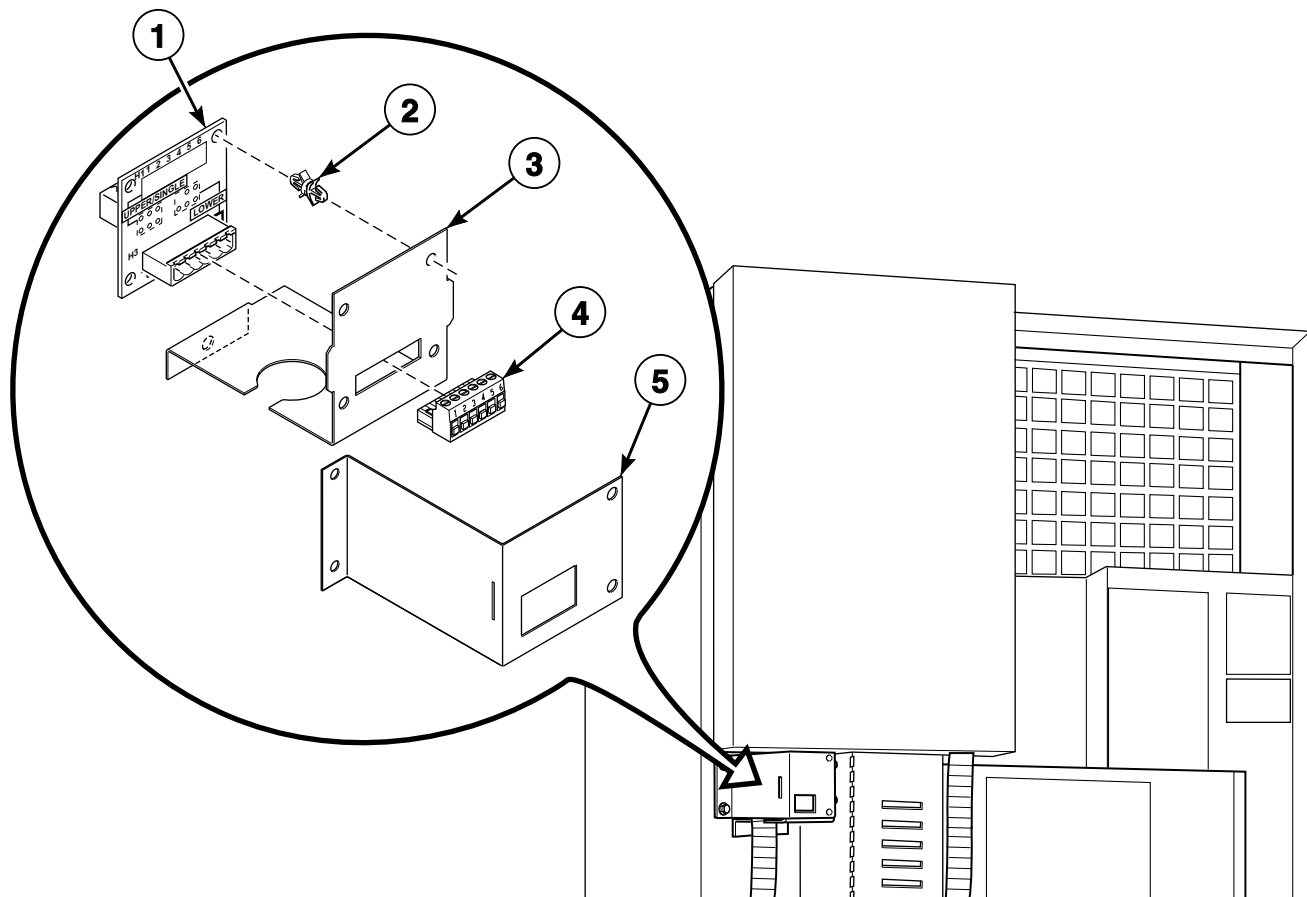
TMB2954P_70421901

Network Board for Quantum Control

REF	PART NO.	DESCRIPTION	COMMENTS
	800246	Communication Wire Harness Assembly	
1	44141801P	Network Harness	
2	430497	Screw	
3	70307002	Control Housing Cover	
4	201341	Network Board Assembly	
5	44088501P	Network Wire Harness Assembly	
6	M400770	Snap Bushing	

Network Connection for Quantum

S Models
Models with WC, WX and WY Control Suffixes



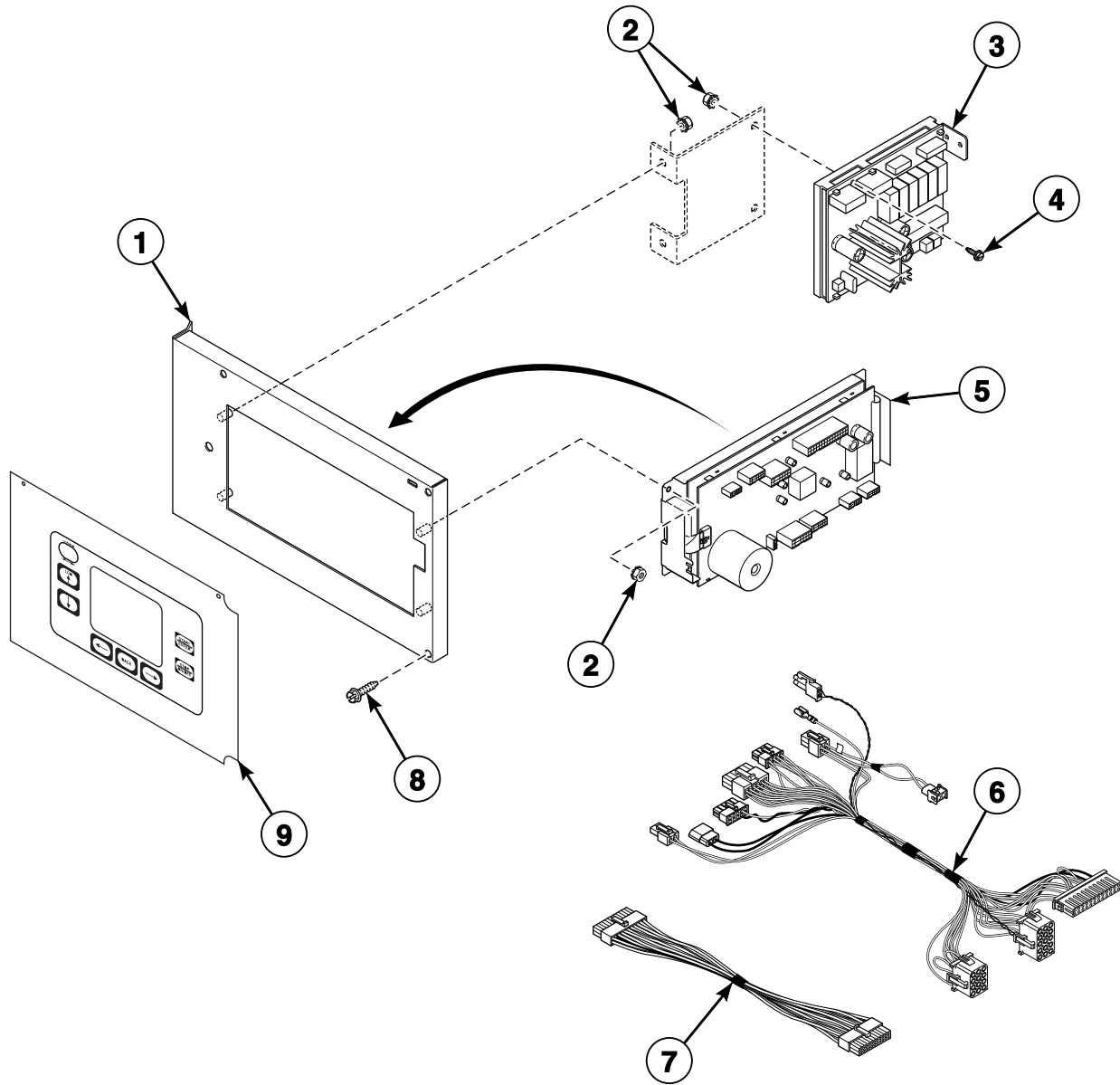
TMB2955P_70421901

Network Connection for Quantum

REF	PART NO.	DESCRIPTION	COMMENTS
	201341	Network Board Assembly	
1	210095P	Communication Board	
2	210098	PC Board Standoff	4 required
3	44143601	Network Board Bracket	
4	210099	Communication Connector	
5	44143701	Network Board Cover	

UniLinc Control

U Models
Models with UO and RU Control Suffixes



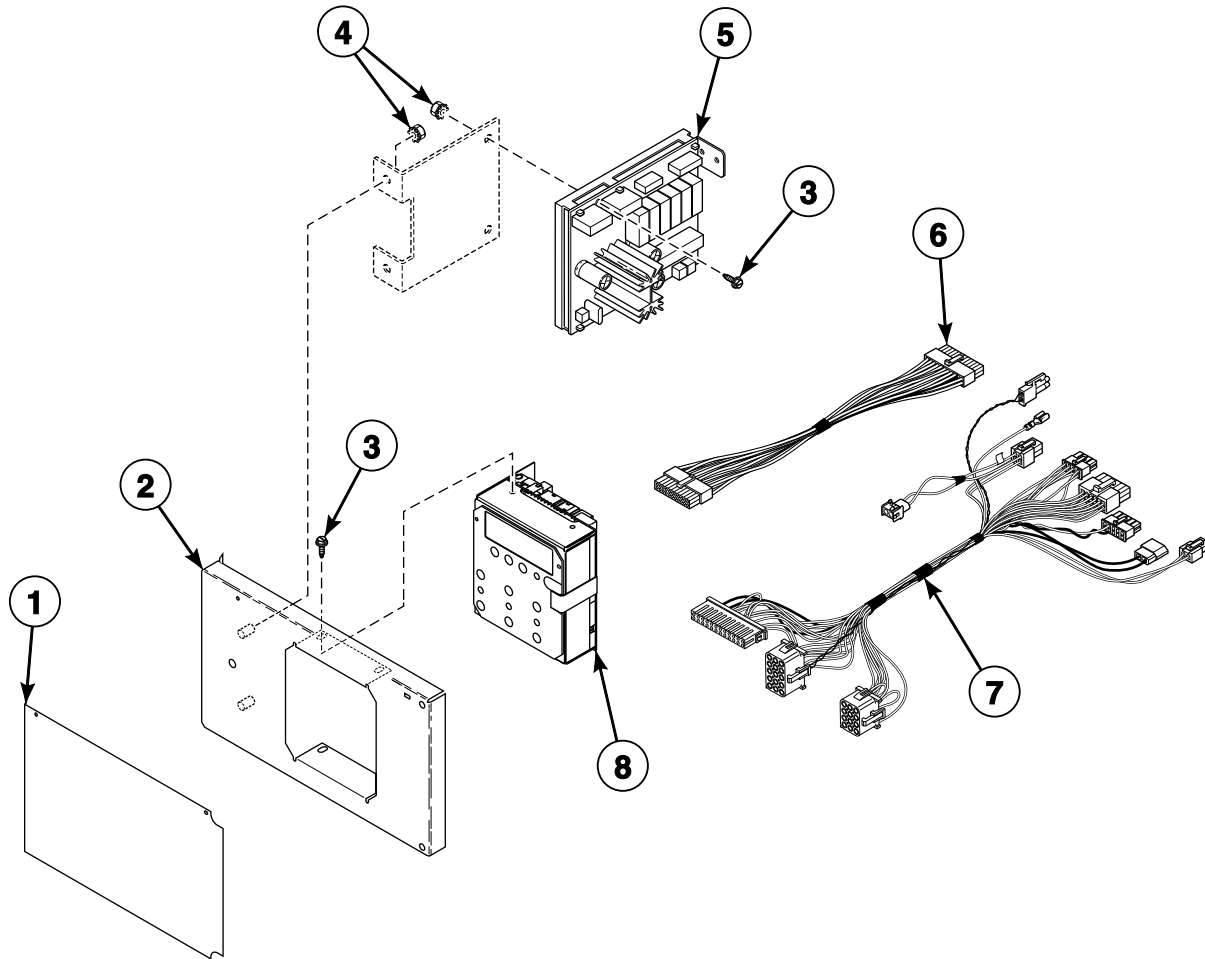
TMB3107P_70421901

UniLinc Control

REF	PART NO.	DESCRIPTION	COMMENTS
1	70432101	Control Plate Assembly	
2	70054	Nut	
3	70434101	Control Assembly	
4	501524	Screw	
5	70454001P	Control Assembly	
6	44240301	Control Panel Harness	Goes from item 5 to main harness
7	44186101	Output Harness	Use between item 3 and item 5
8	70069901	Screw	
9	70432201	Overlay	

LED OPL Control

C, D, H, I, S and U Models
G, K, L, P and Y Models Starting 1/16/12
Models with EO and RE Control Suffixes

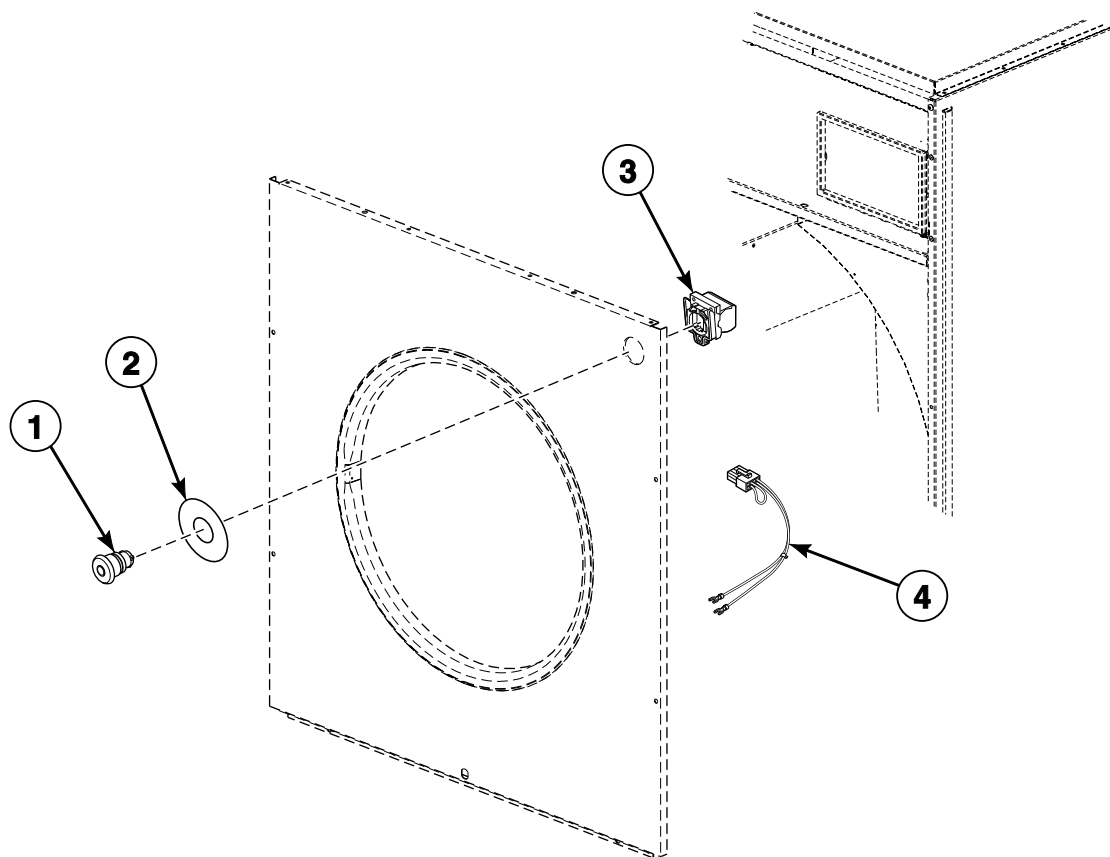


TMB3108P_70421901

LED OPL Control

REF	PART NO.	DESCRIPTION	COMMENTS
1	70462402	Overlay	C, D and I models; EO control suffix
	70462401	Overlay	C, D and I models; RE control suffix
	70462902	Overlay	G and K models; EO control suffix
	70462901	Overlay	G and K models; RE control suffix
	70445003	Overlay	H models; EO control suffix
	70445004	Overlay	H models; RE control suffix
	70472202	Overlay	L and Y models; EO control suffix
	70472201	Overlay	L and Y models; RE control suffix
	70472402	Overlay	P models; EO control suffix
	70472401	Overlay	P models; RE control suffix
	70445001	Overlay	S models; EO control suffix
	70445002	Overlay	S models; RE control suffix
	70462702	Overlay	U models; EO control suffix
	70462701	Overlay	U models; RE control suffix
	2	70440901	Control Plate and Studs Assembly
3	501524	Screw	
4	70054	Nut	
5	70434101	Control Assembly	
6	44186101	Output Harness	Use between item 5 and item 8
7	44240301	Control Panel Harness	Goes from item 8 to main harness
8	70454101P	Control Assembly	H, S and U models
	70437102P	Control Assembly	C, D and I models
	70437103P	Control Assembly	P models
	70437104P	Control Assembly	G and K models
	70437105P	Control Assembly	L and Y models

Emergency Stop Button - CE Models and Model UB075E

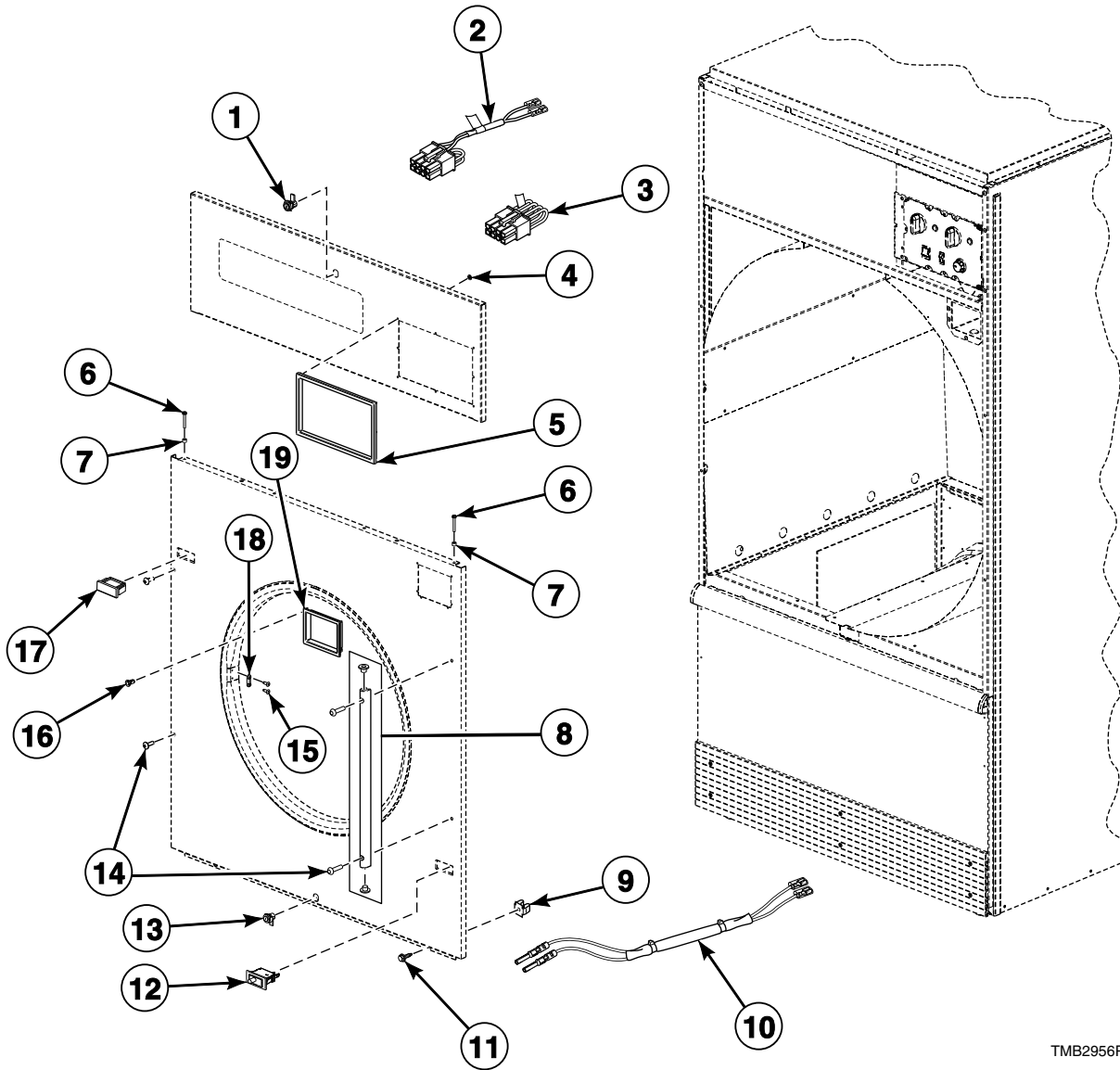


TMB2386P_70421901

Emergency Stop Button - CE Models and Model UB075E

REF	PART NO.	DESCRIPTION	COMMENTS
1	F200233500	Emergency Stop Pushbutton	
2	M412235	Emergency Stop Label	CE models
	44012901	Emergency Stop Label	Model UB075E
3	F200233401	Contact Block Switch	
	F8069501	Contact Switch	CE models
4	70364105P	Emergency Stop Contact Harness	1 contact
	70364106P	Emergency Stop Harness	2 contacts; CE models

Cabinet Front Components

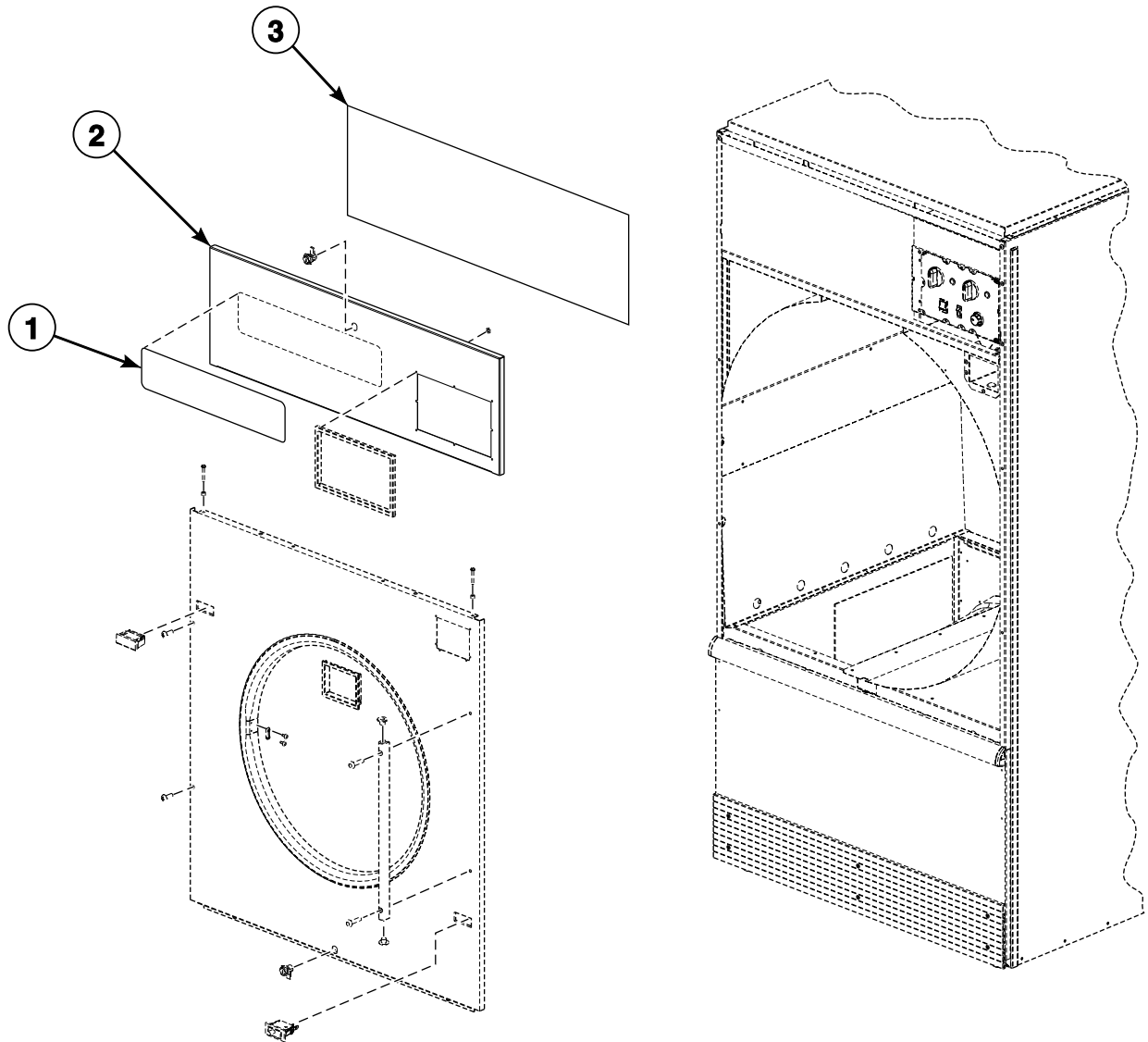


TMB2956P_70421901

Cabinet Front Components

REF	PART NO.	DESCRIPTION	COMMENTS
	M4379P4	Tumbler Dolly Kit	
1	44089301P	Lock, Key and Nut Kit	RL001 key code; Control panel; Optional if same key is to be used for control lock
	70155601	Key	RL001
2	70364104P	Coin Vault Switch Harness	BC, BX, LC, LX, NC, NX, WC and WX control suffixes
3	70364103	Bypass Harness	OPL; 3O, 3V, 3X, BG, BL, BY, DO, DV, DX, EO, LY, NY, OM, QT, R3, RD, RE, RM, RQ, RU, SD, SX, UO and WY control suffixes
4	M400977	Nut	8 required per control trim
5	44016301	Control Trim	H models
	44016401	Control Trim	G, K, L, P, S, U and Y models
6	70275801	Screw	4 required
7	56079	Panel Locator	2 required
8	44035001	Door Hinge Lug Assembly	
9	70030501	Expansion Clip	
10	44137601	Door Switch Harness	
11	M411072	Screw	4 required; Front panel; Bottom
12	70107001	Pushbutton Switch	Door switch
13	44089301P	Lock, Key and Nut Kit	RL001 key code; Lint panel; Optional if same key is to be used for control lock
	70155601	Key	RL001
	44089302P	Lock, Key and Nut Kit	RL002 key code; Lint panel; Standard coin and card models
	70155602	Key	RL002
14	70033502	Screw	4 required for painted panels; 2 required for stainless steel panels in addition to 2 of 70182601 Screw
	70182601	Screw	2 required for stainless steel panels in addition to 2 of 70033502 Screw
15	M400003	Pop Rivet	2 per door latch; 1/8 inch
16	M400972	Shadow Box Clip	6 required
17	44057801W	Switch Hole Plug	White
	44057801Q	Switch Hole Plug	Bisque
	44057801B	Switch Hole Plug	Black; For stainless steel and turquoise models
18	M401223	Door Latch	2 required
19	70117501	Coin Vault Trim	H models; Gray
	70117502	Coin Vault Trim	G, K, L, P, S, U and Y models; Black

Cabinet Panels and Nameplates



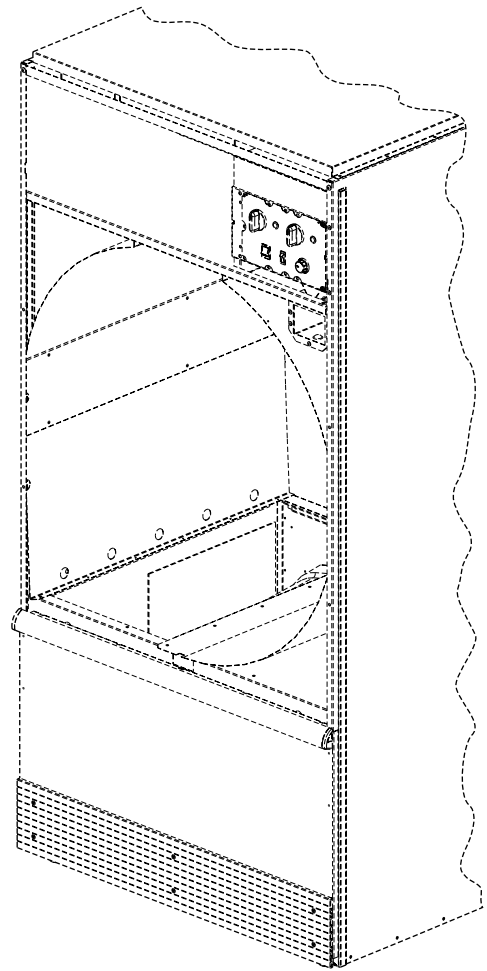
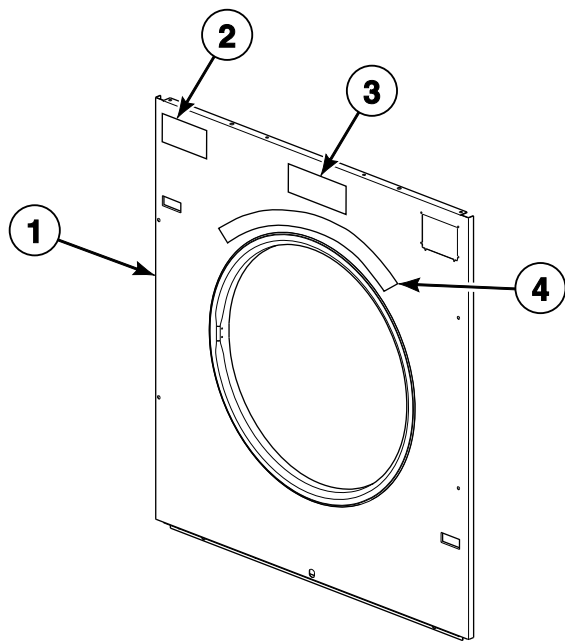
TMB2554P_70421901

Cabinet Panels and Nameplates

REF	PART NO.	DESCRIPTION	COMMENTS
	M4776P3	Control Panel and Door Hinge Kit	D and I models; To change from old look to new look
1	44010401	Nameplate	H models
	44010601	Nameplate	S models
	44235401	Nameplate Overlay	U models
	44046801	Nameplate	D and I models
	44062901	Nameplate	C models
	70380701	Nameplate Overlay	P models
	70243901	Nameplate	L models
	70410201	Nameplate Overlay	G models; OPL
	44130601	Nameplate Overlay	K models; OPL
	70304501	Nameplate Overlay	Y models
2	44040001*P	Control Panel	C models; D and I models through 7/31/11; 3O, 3V, 3X, QT, R3 and RQ control suffixes; Manual
	44040002	Control Panel	C models; D and I models through 7/31/11; 3O, 3V, 3X, QT, R3 and RQ control suffixes; Manual; Stainless steel
	44040003*	Control Panel	C models; I models through 7/31/11; DO, DV and RD control suffixes; Electronic
	44040004	Control Panel	C models; I models through 7/31/11; DO, DV and RD control suffixes; Electronic; Stainless steel
	44040007B	Control Panel	D and I models; Models starting 8/1/11
	44040005*	Control Panel	G and K models
	44040006	Control Panel	G and K models; Stainless steel
	44000117BP	Control Panel	L models
	44000117*P	Control Panel	H, P, S, U and Y models
	44000118P	Control Panel	H, P, S, U and Y models; Stainless steel
3	44020601	Insulation	Used inside access panel

* Add Letter To Designate Color. Q - Bisque W - White

Front Panel Assemblies



TMB3090P_70421901

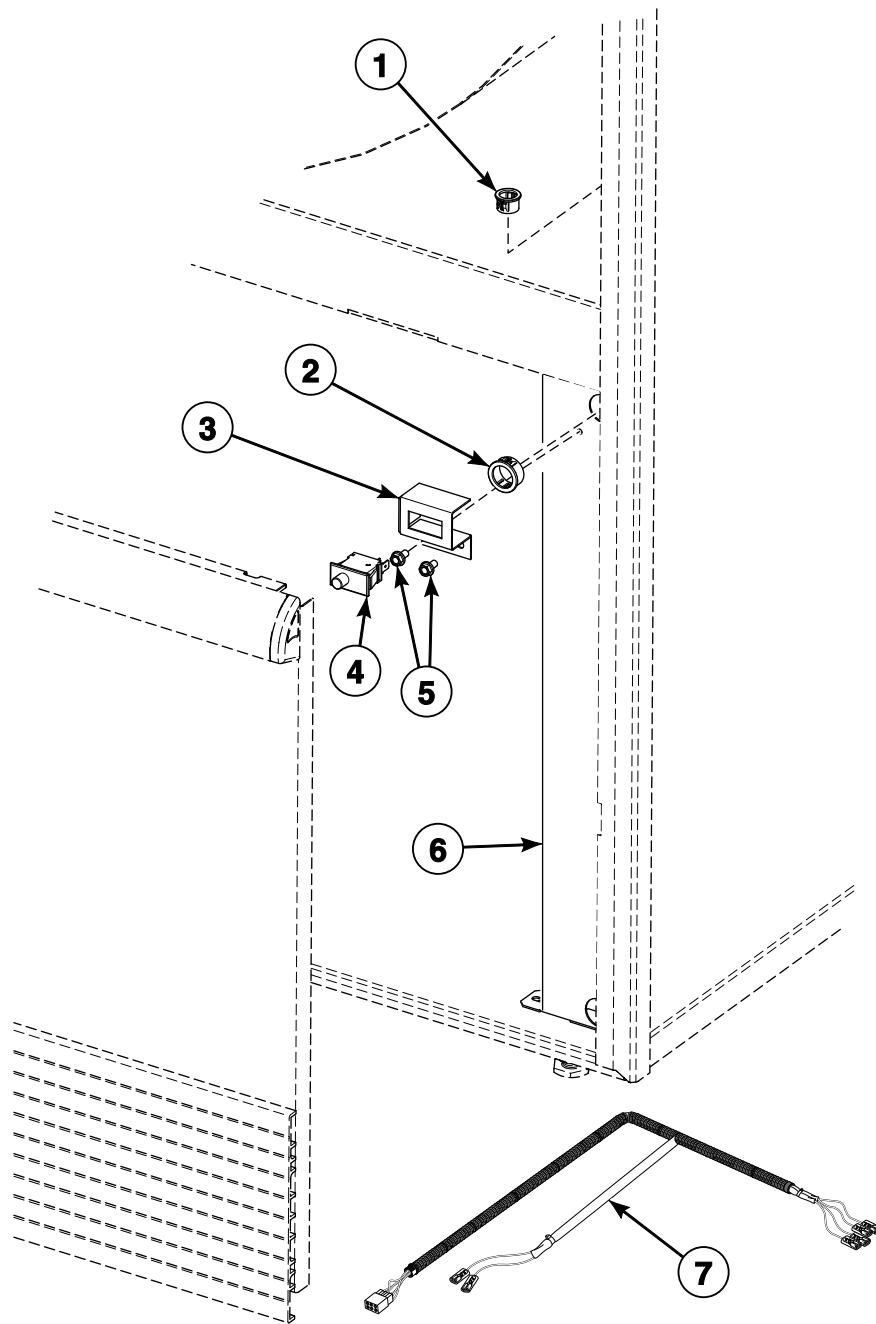
Front Panel Assemblies

REF	PART NO.	DESCRIPTION	COMMENTS
1	44052507W	Front Panel	Model UB075E
	44077901*P	Front Panel Assembly	All models except UB075E; BC, BX, LC, LX, NC, NX, SD, SX, WC and WX control suffixes
	44077902P	Front Panel Assembly	All models except UB075E; BC, BX, LC, LX, NC, NX, SD, SX, WC and WX control suffixes; Stainless steel
	44077903*	Front Panel Assembly	All models except UB075E; BL, BY, NY and WY control suffixes
	44077904P	Front Panel Assembly	All models except UB075E; BL, BY, NY and WY control suffixes; Stainless steel
	44077905*P	Front Panel Assembly	Non-CE models except model UB075E; EO, OM, QT, RE, RM, RU, RQ and UO control suffixes
	44077906P	Front Panel Assembly	Non-CE models except model UB075E; EO, OM, QT, RE, RM, RU, RQ and UO control suffixes; Stainless steel
	44077907*P	Front Panel Assembly	CE models; 3O, EO, OM, QT, R3, RE, RM, RQ, RU and UO control suffixes
	44077908	Front Panel Assembly	CE models; 3O, EO, OM, QT, R3, RE, RM, RQ, RU and UO control suffixes; Stainless steel
2	70414001	Label	G and K models; Coin
3	44128901	Fire Suppression System Label	G and K models
4	M410892	Warning Label	

* Add Letter To Designate Color. Q - Bisque W - White

NOTE: All front panel assemblies include M401223 Door Latch and 2 of M400003 Pop Rivet

Lint Panel Switch Assembly

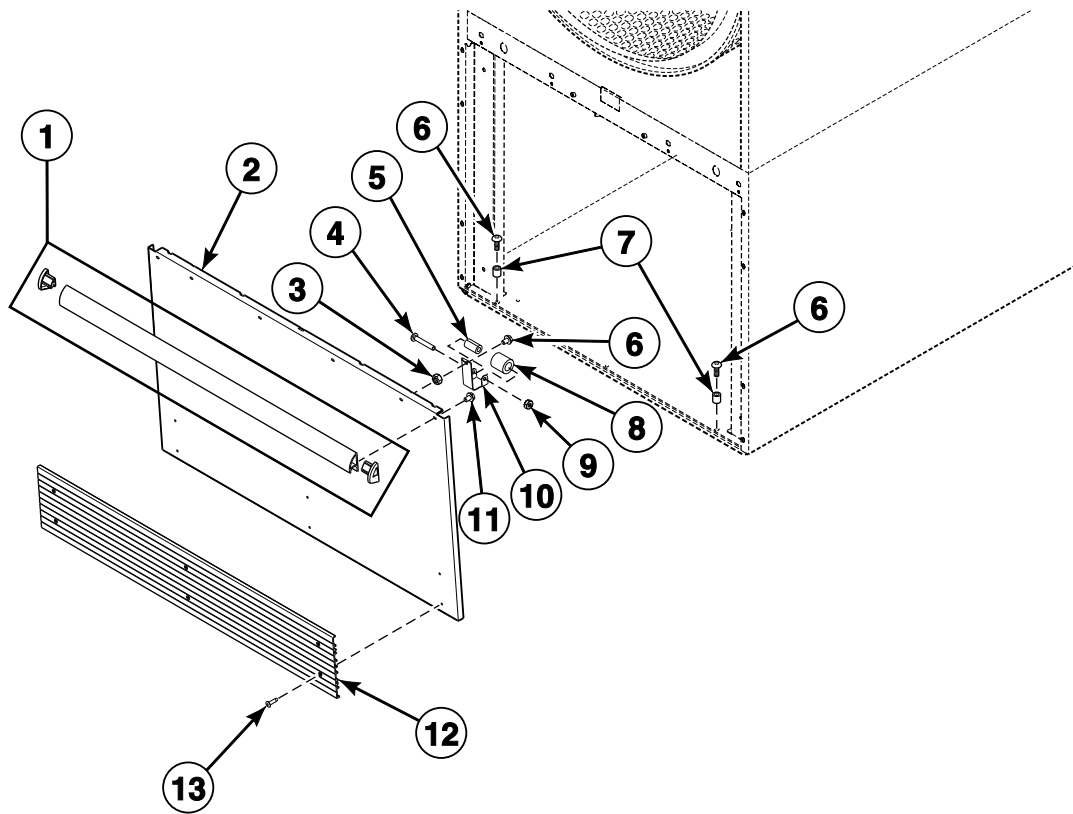


TMB2945P_70421901

Lint Panel Switch Assembly

REF	PART NO.	DESCRIPTION	COMMENTS
1	M411826	Snap Bushing	
2	M400770	Snap Bushing	
3	44118601	Lint Panel Switch Bracket	
4	70310501	Switch Assembly	
5	430497	Screw	
6	44001201	Front Pillar	
7	44137501P	Base Harness Assembly	

Lower Cabinet Front Components



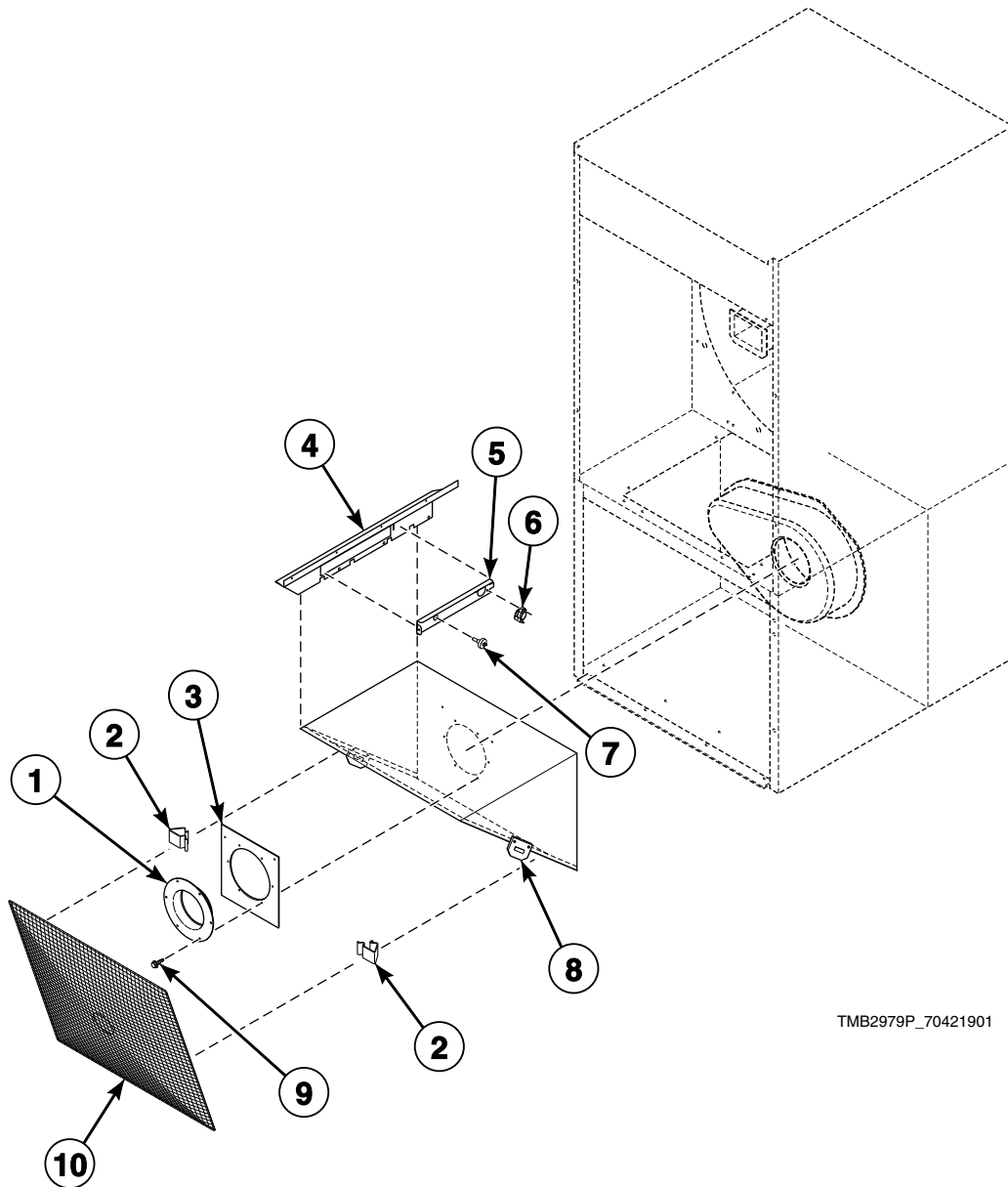
TMB2057P_70421901

Lower Cabinet Front Components

REF	PART NO.	DESCRIPTION	COMMENTS
	70114001	Clean Lint Compartment Sticker	Lint compartment must be cleaned daily
	70404001	Roller Bracket Assembly	Includes items 4, 5 and 8-10
1	70154405	Handle and Caps Assembly	C, D, I, L, P, S, U and Y models; Black; Includes endcaps
	70154406	Handle and Caps Assembly	H models; Gray; Includes endcaps
	70407202	Handle Bumper	G and K models; Black and blue; Does not include endcaps
2	44000001*P	Lint Panel	
	44000002P	Lint Panel	Stainless steel
3	51236	Nut	
4	70072801	Screw	
5	70030201	Roller Catch Spacer	
6	70132301	Screw	
7	56079	Panel Locator	
8	70297601	Roller Catch Wheel	
9	23951	Nut	
10	70030301	Roller Catch Arm	
11	430757	Screw	4 required
12	70117608	Kickplate	H models; Gray
	70117607	Kickplate	All other models; Black
13	70126401	Pop Rivet	H models; Gray; 6 required
	70126301	Pop Rivet	All other models; Black; 6 required

* Add Letter To Designate Color. Q - Bisque W - White

Cabinet Limit and Thermistor Assembly

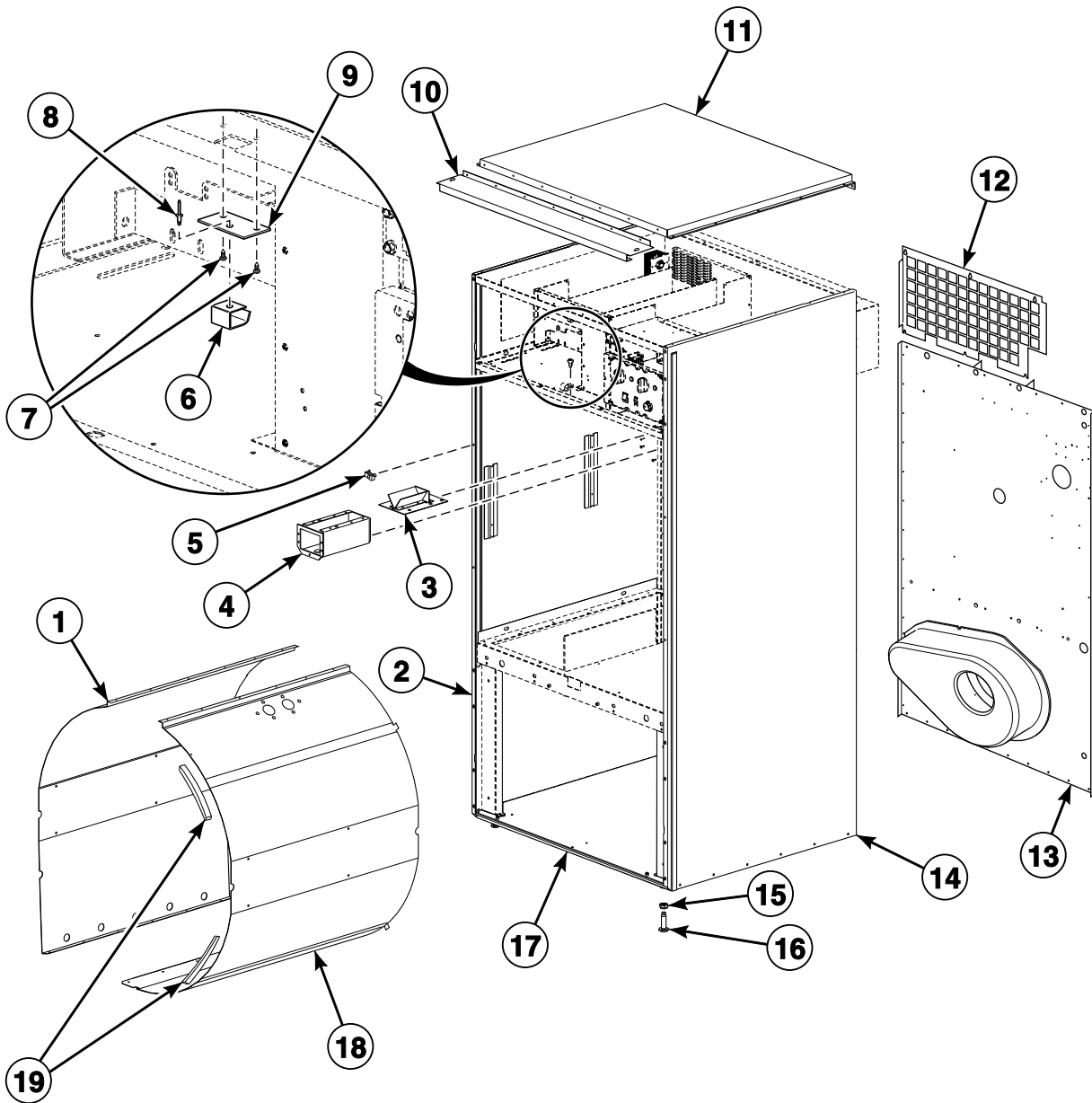


TMB2979P_70421901

Cabinet Limit and Thermistor Assembly

REF	PART NO.	DESCRIPTION	COMMENTS
1	70014101	Blower Inlet Cone	Gas and steam 60 Hertz; Electric 60 Hertz/3 Phase
2	35865	Hold-Down Clip	2 required
3	44150201	Cone Plate	Gas and steam 60 Hertz; Electric 60 Hertz/3 Phase
4	44162201	Lint Screen Deflector	
5	44162301	Deflector Cover	
6	M411813	Limit Thermostat	Electric models
	M410542	Limit Thermostat	Non-CE and non-Australian gas models and all steam models
	M411941	Manual Reset Thermostat	CE and Australian gas models
7	M414704	Thermistor	
8	44140201	Lint Clip Bracket	
9	430497	Screw	Gas and steam 60 Hertz; Electric 60 Hertz/3 Phase; 6 required
10	44063601	Lint Screen	

Cabinet Components



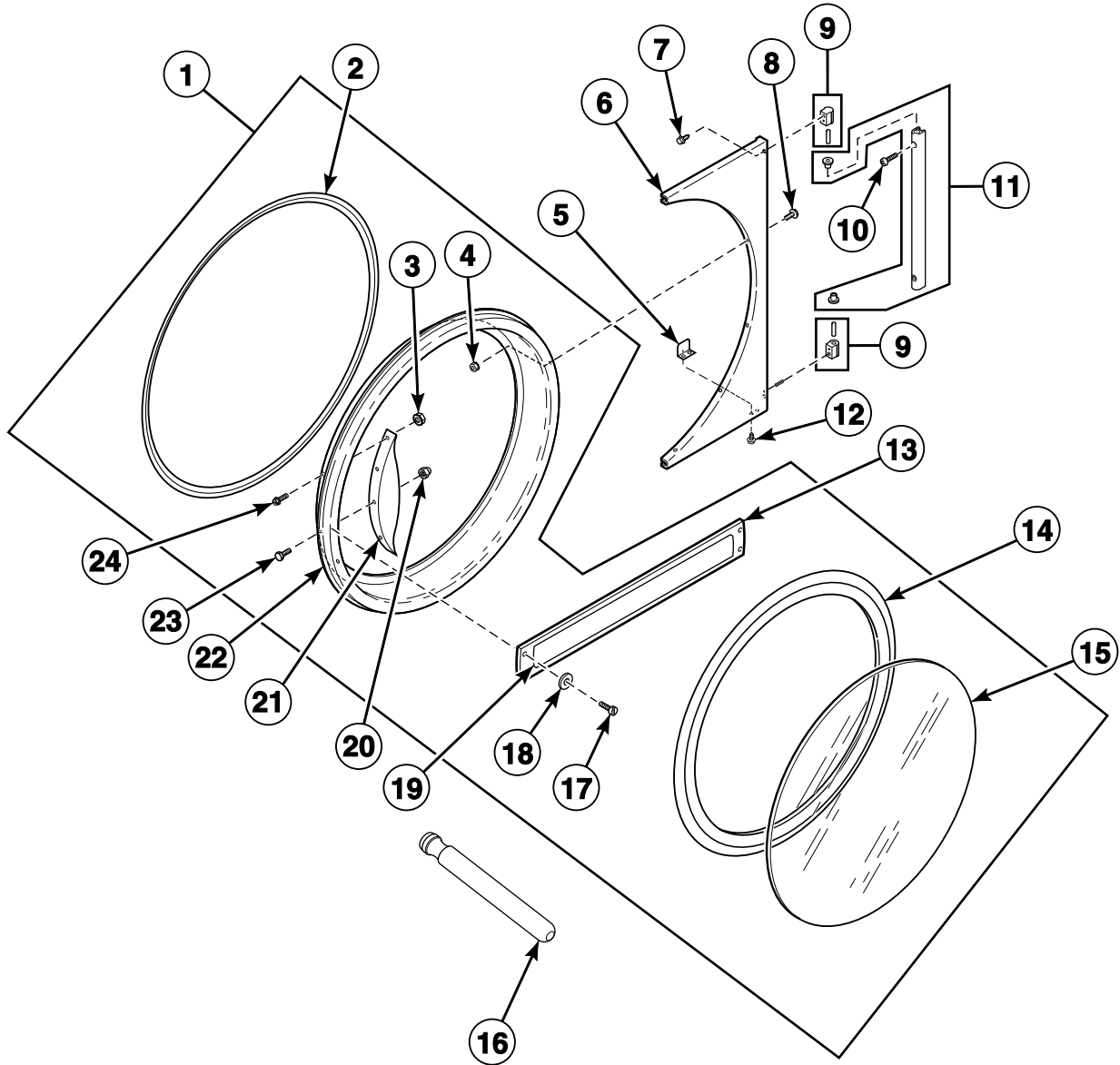
TMB2947P_70421901

Cabinet Components

REF	PART NO.	DESCRIPTION	COMMENTS
	298P4P	Spray Paint	White
	122P4P	Porcelain Touch-Up Paint	White
	370P4P	Porcelain Touch-Up Paint	Bisque
1	44005301P	Baffle	Left
2	44056802*	Side Panel and Bracket Assembly	Left
3	70296401	Coin Chute Assembly	Wide; Includes 6 of 70058502 Pop Rivet
4	70180101	Coin Vault Assembly	Includes 5 of 70058502 Pop Rivet
5	70030401	Nut	U-clip
6	431318	Control Door Latch	
7	431287	Screw	
8	M400003	Pop Rivet	
9	44003201	Latch Mounting Bracket	
10	44129401	Top Panel Bracket	Gas and electric models
11	44129301P	Top Cover Pan	Gas and electric models
	44138801	Top Cover	Steam models
12	44176201	Top Rear Panel	Gas and steam models
	44170501	Top Rear Panel	Electric models
13	44171301	Rear Panel Assembly	STF and UTF models
	44171201	Rear Panel Assembly	All other models
14	44056702*P	Side Panel and Bracket Assembly	Right
15	21899	Nut	Right
16	70247701	Screw	Leveling leg
17	44000701	Bottom Pan	
18	44005001P	Baffle	Right
	44065601P	Baffle	Right; Models equipped with fire suppression system
19	70015701	Baffle Gasket	

* Add Letter To Designate Color. Q - Bisque W - White

Door and Hinge Components



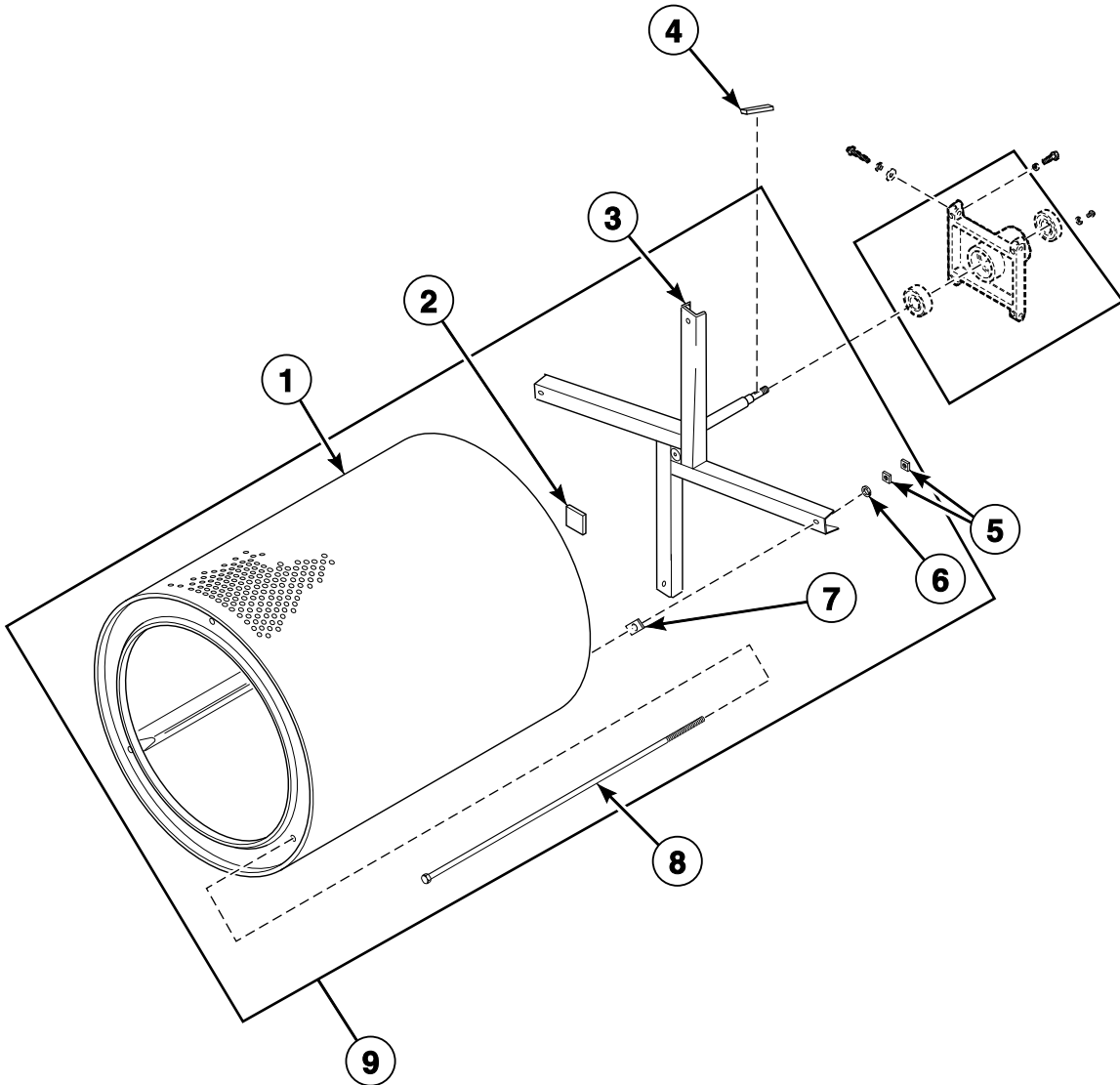
TMB3091P_70421901

Door and Hinge Components

REF	PART NO.	DESCRIPTION	COMMENTS
	M4776P3	Control Panel and Door Hinge Kit	D and I models; To change from old look to new look
1	44058102P	Door Assembly	H models
	44028902P	Door Assembly	S and U models
	44112101	Door Assembly	C, D and I models through 7/31/11
	44028903	Door Assembly	C, D and I models starting 8/1/11
	44029101	Door Assembly	L and P models
	70407401	Door Assembly	G and K models
2	44008201P	Door Ring Gasket	
3	44071201	Nut	H, S and U models; 4 required
4	23951	Nut	6 required
5	70215001P	Door Switch Actuator Kit	
6	44075204	Door Hinge Assembly	C, H, L, P, S, U and Y models; D and I models through 7/31/11; Stainless steel
	44075203*	Door Hinge Assembly	H, L, P, S, U and Y models; C models starting 8/1/11
	44075208B	Door Hinge Assembly	G and K models; D and I models starting 8/1/11
7	70442101	Screw	3 required
8	M400044	Screw	6 required
9	M4772P3	Cam and Hinge Kit	C, H, L, P, S, U and Y models; D and I models through 7/31/11
	M4773P3	Cam and Hinge Kit	G and K models; D and I models starting 8/1/11
10	70033502	Screw	C, H, L, P, S, U and Y models; D and I models through 7/31/11; 2 required
	70407301	Screw	G and K models; D and I models starting 8/1/11; 2 required
11	44035001	Door Hinge Lug Assembly	C, H, L, P, S, U and Y models; D and I models through 7/31/11
	44035002	Door Hinge Lug Assembly	G and K models; D and I models starting 8/1/11
12	70058501	Pop Rivet	2 required
13	70399501B	Handle Bar	G and K models
14	70211902P	Door Seal Kit	
15	44008402P	Door Glass	H models
	44008401P	Door Glass	All other models
16	M4221P4	Door Glass Installation Tool	
17	70126301	Pop Rivet	G and K models; 4 required
18	70409301	Washer	G and K models; 2 required
19	70411401	Nameplate Overlay	G models; Coin
	44144401	Nameplate Overlay	K models; Coin
20	M414215	Nut	
21	44057702	Door Handle	H models
	44007901	Door Handle	S and U models; C, D and I models starting 8/1/11
22	44007702	Door Ring Assembly	H, L, P, S and U models
	44112001	Door Ring and Handle Assembly	C, D and I models through 7/31/11
	44007704B	Door Ring	C, D and I models starting 8/1/11
	44007703B	Door Ring	G and K models
23	M400661	Screw	Door strike
24	61199	Screw	H, S and U models; 4 required

* Add Letter To Designate Color. Q - Bisque W - White

Cylinder and Trunnion Components

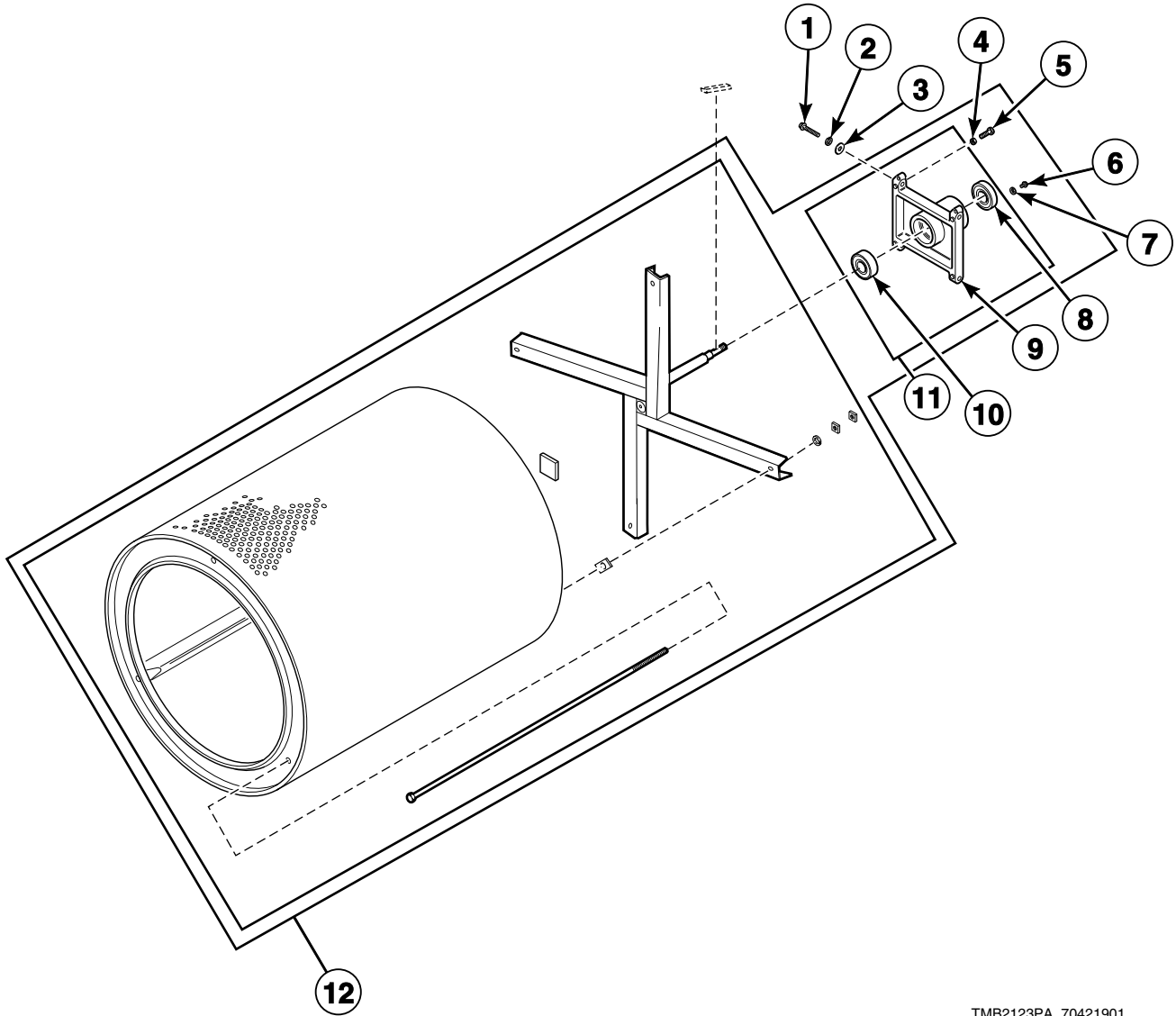


TMB2123P_70421901

Cylinder and Trunnion Components

REF	PART NO.	DESCRIPTION	COMMENTS
	M4640P3	Trunnion and Bearing Assembly	Nonreversing; Models through 7/31/11
	M4641P3	Trunnion and Bearing Assembly	Reversing; Models through 7/31/11
	M4644P3	Housing and Trunnion Assembly	Includes bearing; Nonreversing; Models through 7/31/11
	M4645P3	Housing and Trunnion Assembly	Includes bearing; Reversing; Models through 7/31/11
	44208601	Rib Wire	Moisture sensing
	44208701	Shaft Wire	Moisture sensing
1	44057201P	Cylinder Kit	Galvanized; C, D, H, I, L, P, S and U models; Non-moisture sensing
	44198301	Cylinder Assembly	Galvanized; C, D, H, I, L, P, S and U models; Moisture sensing
	44057301P	Cylinder Kit	Stainless steel; C, D, H, I, L, P, S and U models; Non-moisture sensing
	44198302	Cylinder Assembly	Stainless steel; C, D, H, I, L, P, S and U models; Moisture sensing
	44130702	Cylinder Assembly	G and K models; Non-moisture sensing
	44198303	Cylinder Assembly	G and K models; Moisture sensing
	44079901P	Cylinder Assembly	Stainless steel; U models with the 11th character of R; Non-moisture sensing
2	M402144	Felt Pad	
3	M413835P	Trunnion Kit	Spider; Nonreversing; Models through 7/31/11
	M413836	Trunnion Assembly	Spider; Reversing; Models through 1/31/12
	44208001	Trunnion Assembly	Spider; Models starting 2/1/12; Non-moisture sensing
	44207901	Trunnion Assembly	Models starting 8/1/11; Moisture sensing
4	M400008	Key	Half moon; Nonreversing models through 7/31/11; All models starting 8/1/11
	M405232	Key	Straight; Reversing; Models through 7/31/11
5	M404993	Nut	
6	91200	Washer	4 required
7	M401402	Spacer	Adjustment between cylinder and trunnion
8	M404992	Rib Rod	
9	44057501P	Cylinder and Trunnion Assembly	Galvanized; Nonreversing; C, D, H, I, L, P, S and U models through 7/31/11
	44057502	Cylinder and Trunnion Assembly	Stainless steel; Nonreversing; C, D, H, I, L, P, S and U models through 7/31/11
	44057503P	Cylinder and Trunnion Assembly	Galvanized; Reversing; C, D, H, I, L, P, S and U models through 1/31/12
	44057504	Cylinder and Trunnion Assembly	Stainless steel; Reversing; C, D, H, I, L, P, S and U models through 1/31/12
	44195701	Cylinder and Trunnion Assembly	Galvanized; C, D, H, I, L, P, S and U models starting 2/1/12; Non-moisture sensing
	44195702	Cylinder and Trunnion Assembly	Stainless steel; C, D, H, I, L, P, S and U models starting 2/1/12; Non-moisture sensing
	44195705	Cylinder and Trunnion Assembly	Galvanized; C, D, H, I, L, P, S and U models; Moisture sensing
	44195706	Cylinder and Trunnion Assembly	Stainless steel; C, D, H, I, L, P, S and U models; Moisture sensing
	44131302	Cylinder and Trunnion Assembly	Reversing; G and K models through 7/31/11
	44131402	Cylinder and Trunnion Assembly	Nonreversing; G and K models through 7/31/11
	44195703	Cylinder and Trunnion Assembly	G and K models starting 8/1/11; Non-moisture sensing
	44195707	Cylinder and Trunnion Assembly	G and K models; Moisture sensing
	44080001	Cylinder and Trunnion Assembly	Stainless steel; U models with the 11th character of R through 7/31/11
	44195704	Cylinder and Trunnion Assembly	Stainless steel; U models with the 11th character of R starting 8/1/11; Non-moisture sensing

Bearing Components

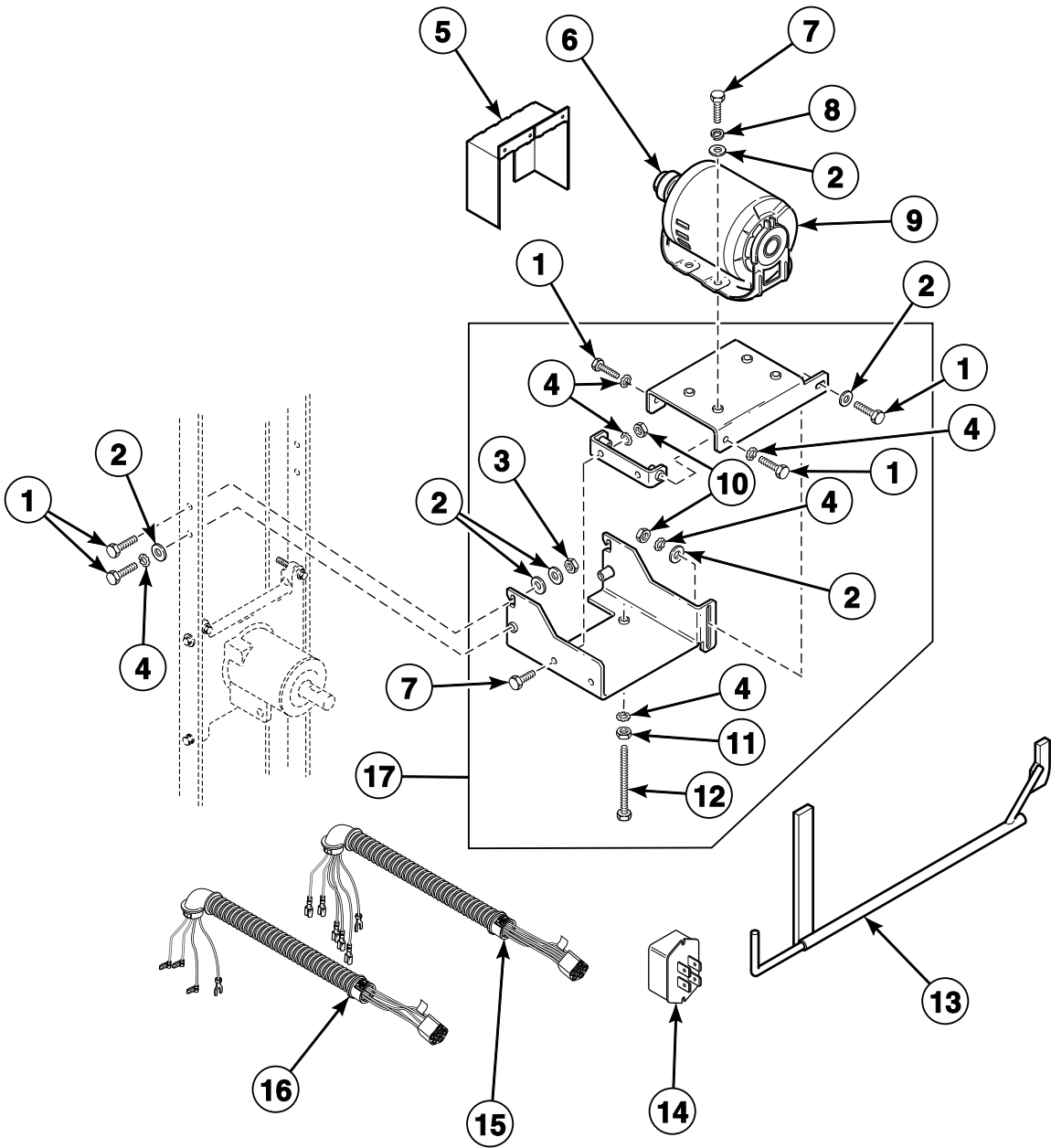


TMB2123PA_70421901

Bearing Components

REF	PART NO.	DESCRIPTION	COMMENTS
1	M400063	Screw	4 required
2	91200	Washer	4 required
3	70261401	Washer	4 required
4	M400026	Nut	4 required
5	M400650	Bolt	2 required
6	70187201	Screw	4 required
7	20103	Washer	4 required
8	F100136P	Bearing	
9	M413826	Trunnion Housing	
10	44041901P	Ball Bearing	
11	M413832	Trunnion Housing Assembly	Includes bearing
12	M4818P3	Cylinder, Trunnion and Bearing Housing Kit	Nonreversing; C, D and I models

Reversing Cylinder Drive Motor and Components

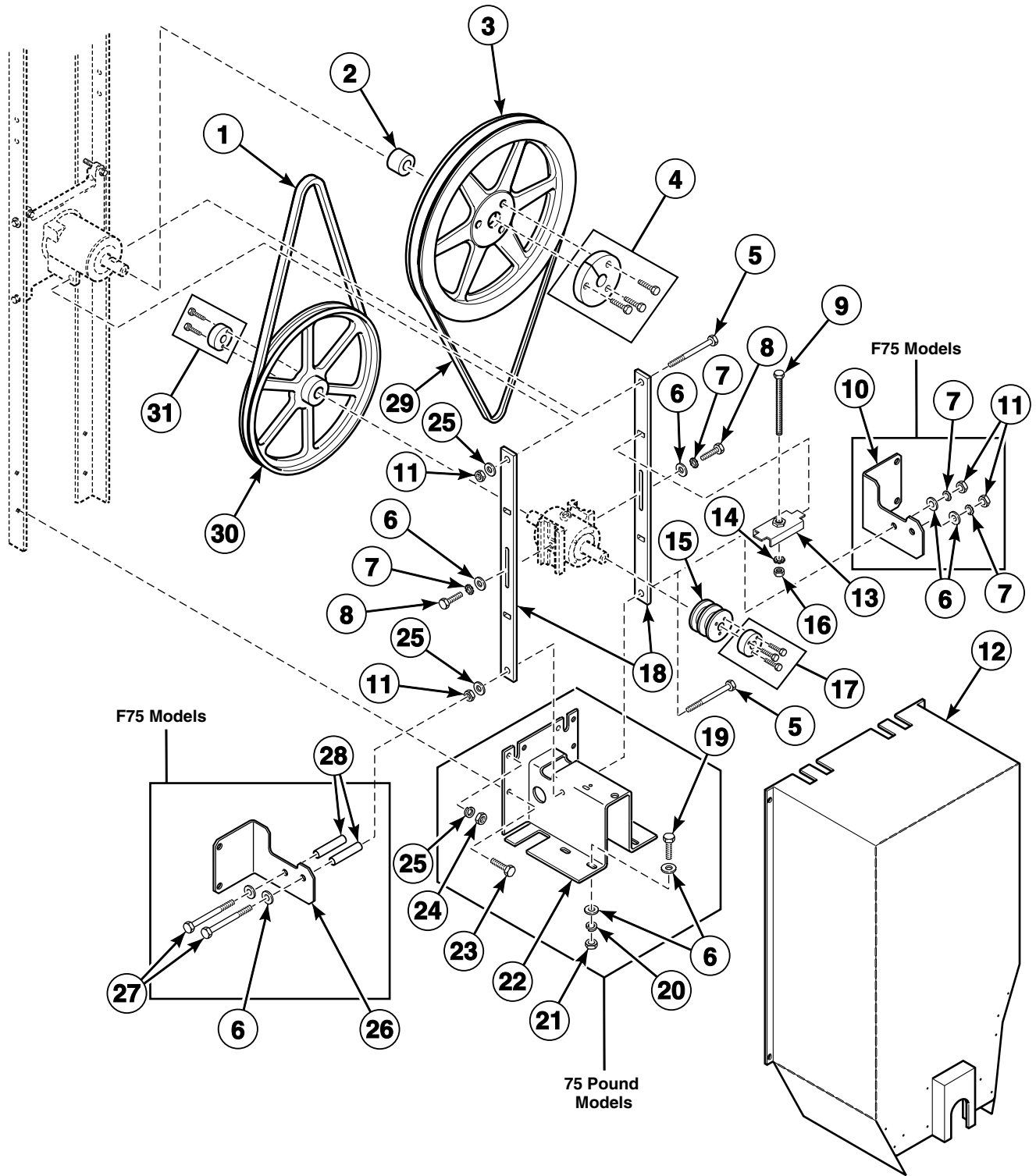


TMB3087P_70421901

Reversing Cylinder Drive Motor and Components

REF	PART NO.	DESCRIPTION	COMMENTS
1	M400056	Screw	7 required
2	M400080	Washer	10 required
3	M412986	Nut	2 required
4	02834	Washer	8 required
5	M413541	Belt Guard	Upper
6	M414565	Pulley	60 Hertz
	M414567	Pulley	50 Hertz; Non-moisture sensing models through 1/31/12
	44233601	Pulley	50 Hertz; Moisture sensing models starting 8/1/11; Non-moisture sensing models starting 2/1/12
7	M400057	Screw	6 required
8	M400013	Washer	4 required
9	M412519P	Motor Kit	Gas and steam models with: 200-208 or 240 Volt/60 Hertz/3 Phase, 460-480 Volt/60 Hertz/3 Phase, 200 Volt/50 Hertz/3 Phase, 230 or 240 Volt/50 Hertz/3 Phase and 380 or 400-415 Volt/50 Hertz/3 Phase; Electric models with: 200-208 Volt/60 Hertz/3 Phase, 240 Volt/50 or 60 Hertz/3 Phase, 480 Volt/60 Hertz/3 Phase, 200 Volt/50 Hertz/3 Phase, 380 Volt/50 Hertz/3 Phase and 400-415/50 Hertz/3 Phase
	M412520P	Motor Kit	Gas and steam models with: 230-240 Volt/50 Hertz/1 Phase
10	70142	Nut	3 required
11	02428	Nut	
12	M413565	Screw	
13	M4853P3	Belt Tension Tool Kit	
14	M414563	Motor Switch	1 Phase
15	44139701P	Cylinder Motor Harness	1 Phase
16	44137101P	Cylinder Motor Harness	3 Phase
17	M413617	Motor Mount Assembly	Includes items 2-4, 7 and 10-12

Drive Components for Non-Moisture Sensing Reversing Models Through 1/31/12

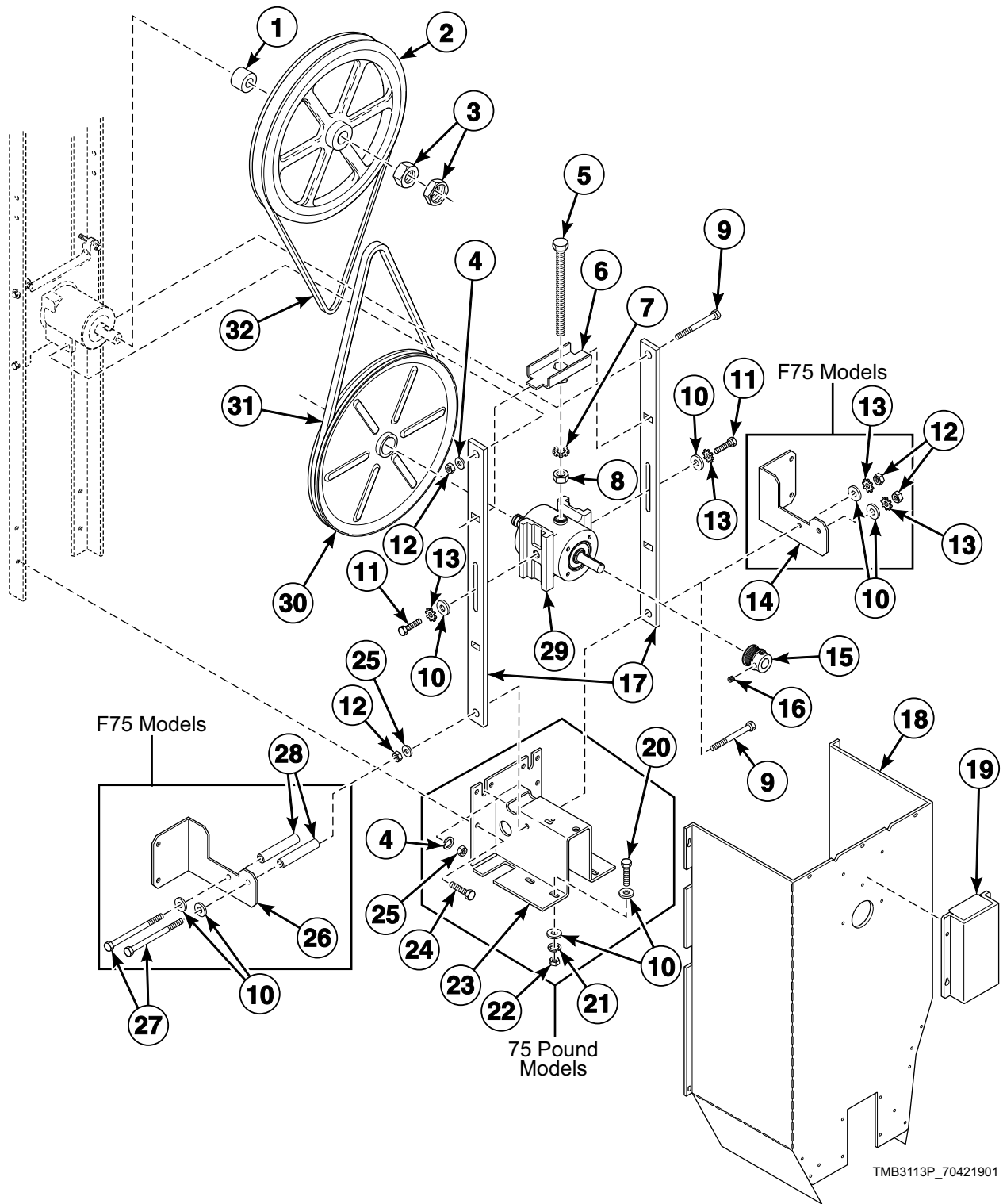


TMB2637P_70421901

Drive Components for Non-Moisture Sensing Reversing Models Through 1/31/12

REF	PART NO.	DESCRIPTION	COMMENTS
	M4853P3	Belt Tension Tool Kit	
1	M412981	Belt	Drive
2	44024001	Spacer	
3	M412916	Double V Sheave	
4	M412086P	Bushing	Includes M400013 Washer, 44048902 Screw and 44079203 Screw
5	M400061	Screw	
6	M400080	Washer	
7	M403958	Washer	
8	M400043	Screw	
9	M412627	Screw	
10	M413268	Guide Rail Support	STF and UTF models; Right
11	M400026	Nut	STF and UTF models; 2 required
12	44132407	Belt Guard Assembly	STF and UTF models
	44132404	Belt Guard Assembly	All other models
13	M414405	Tension Plate Assembly	
14	M412188	Washer	
15	M412884	Pulley	
16	H88412101	Nut	
17	M412917P	Bushing	Includes 56552 Washer, 44048901 Screw and 44079301 Screw
18	M412476	Guide Rail	
19	M400057	Screw	All models except STF and UTF models
20	M400013	Washer	All models except STF and UTF models; 4 required
21	02428	Nut	All models except STF and UTF models; 4 required
22	44117201	Motor Bracket	
23	M401393	Bolt	All models except STF and UTF models; 2 required
24	20274	Nut	All models except STF and UTF models
25	M400014	Washer	
26	M413267	Guide Rail Support	STF and UTF models; Left
27	M405525	Screw	STF and UTF models
28	M413269	Guide Rail Spacer	STF and UTF models
29	M412090	Belt	2 required; Cylinder
30	M412931	Single V Sheave	
31	M412885P	Bushing	Includes 03189 Washer and 44079201 Screw

Drive Components for Moisture Sensing Reversing Models Starting 8/1/11 and Non-Moisture Sensing Reversing Models Starting 2/1/12

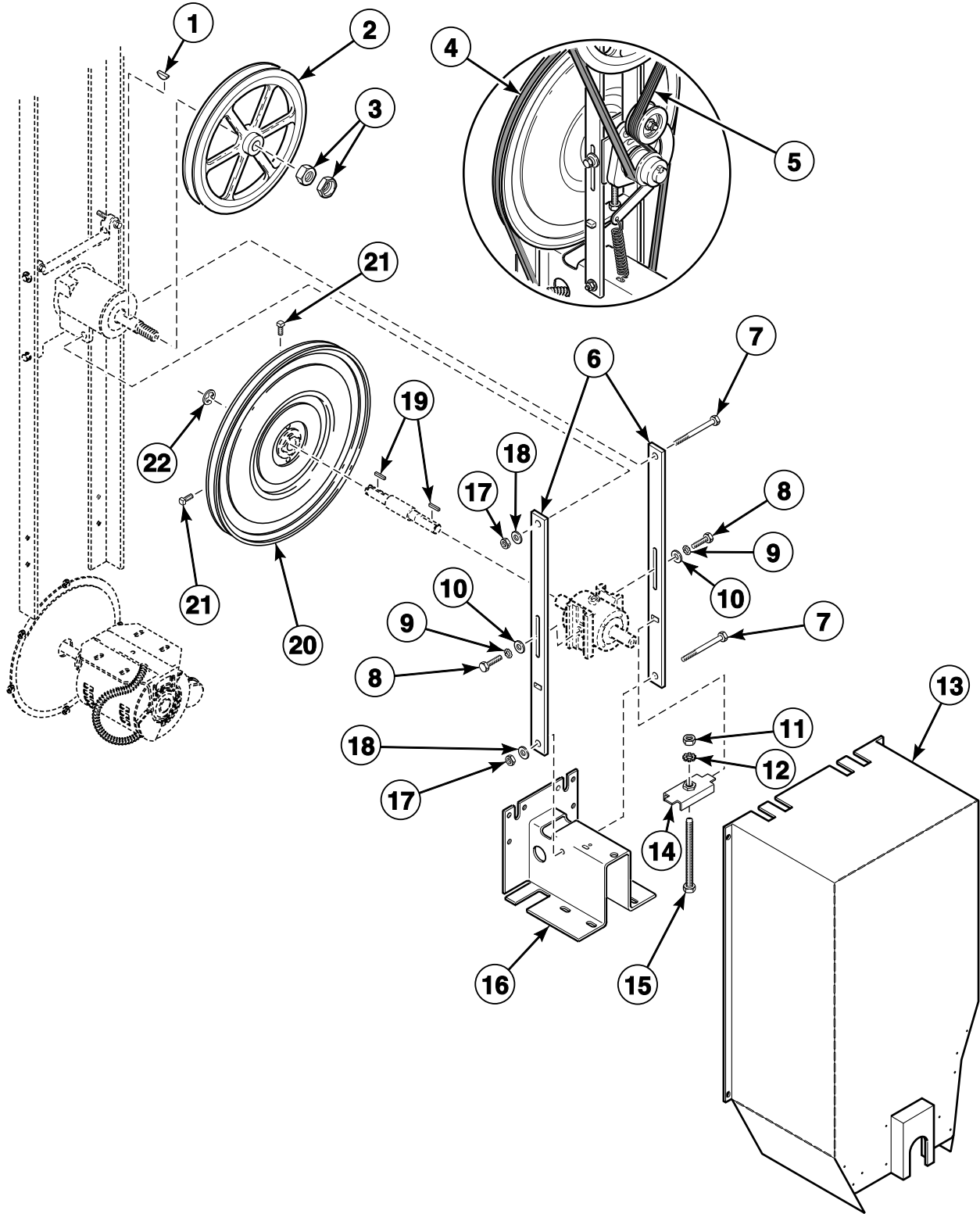


Drive Components for Moisture Sensing Reversing Models Starting 8/1/11 and Non-Moisture Sensing Reversing Models Starting 2/1/12

REF	PART NO.	DESCRIPTION	COMMENTS
	44209001	Belt Idler Assembly	Includes items 5-8, 10, 11, 13, 15-17, 29 and 30
1	44024001	Spacer	
2	M412156	Micro V Sheave	
3	M400035	Nut	
4	M400014	Washer	
5	M412627	Screw	
6	M414405	Tension Plate Assembly	
7	M412188	Washer	
8	H88412101	Nut	
9	M400061	Screw	
10	M400080	Washer	
11	M400043	Screw	
12	M400026	Nut	
13	M403958	Washer	
14	M413268	Guide Rail Support	STF and UTF models; Right
15	M411466P	Micro V Pulley	
16	M400077	Screw	
17	M412476	Guide Rail	
18	44132603	Belt Guard	
19	44222501	Guard Extension	
20	M400057	Screw	All models except STF and UTF models
21	M400013	Washer	All models except STF and UTF models
22	02428	Nut	All models except STF and UTF models
23	44117201	Motor Bracket	All models except STF and UTF models
24	M401393	Bolt	All models except STF and UTF models
25	20274	Nut	All models except STF and UTF models
26	M413267	Guide Rail Support	STF and UTF models; Left
27	M405525	Screw	STF and UTF models
28	M413269	Guide Rail Spacer	STF and UTF models
29	44107101	Idler Housing Assembly	
30	44086901	Sheave	
31	M412981	Belt	
32	M401182P	Belt	

Drive Components for Nonreversing Models Through 7/31/11

All Models Except STF75L, STF75N, UB075E, UTF75L and UTF75N



TMB3115P_70421901

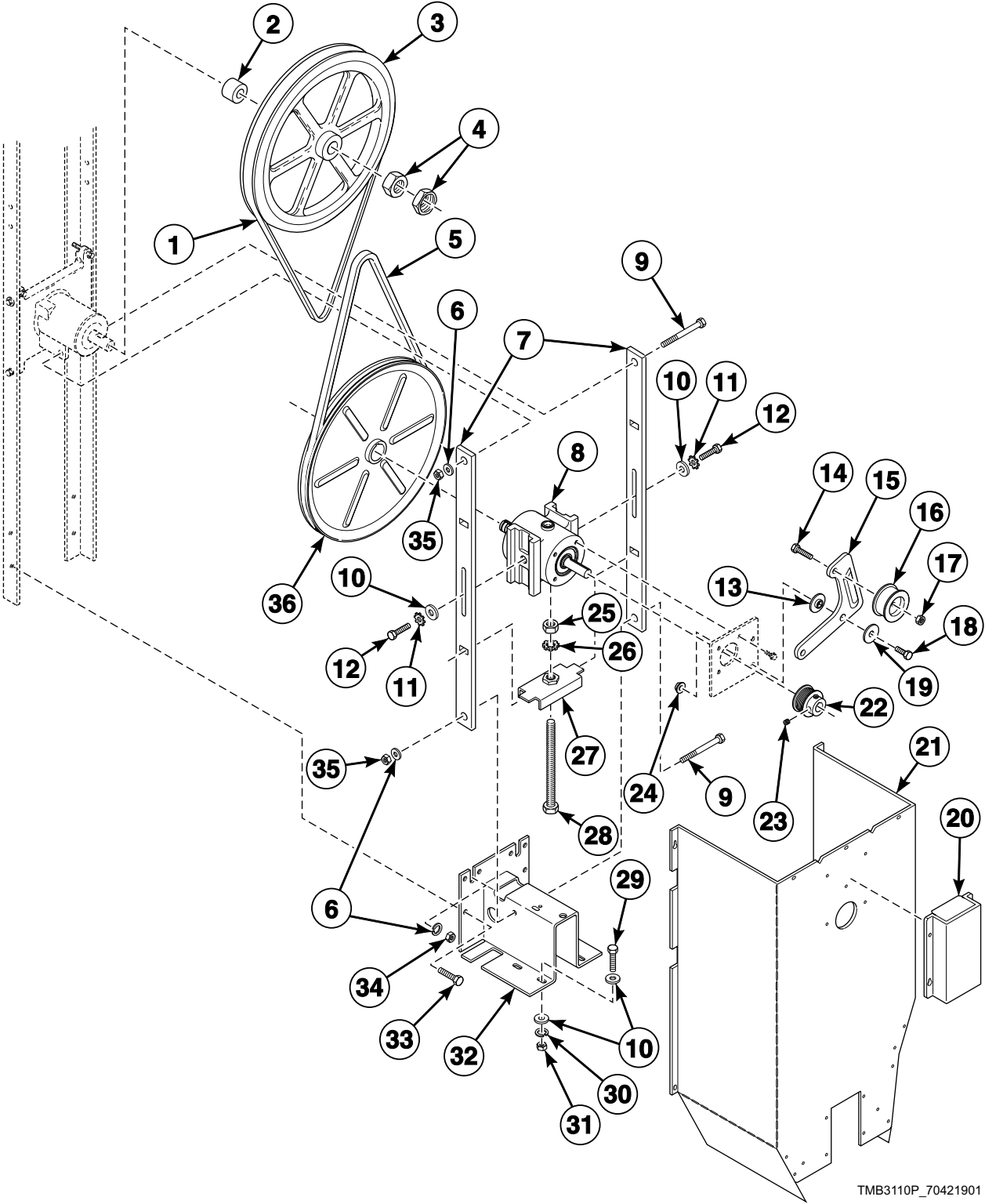
Drive Components for Nonreversing Models Through 7/31/11

REF	PART NO.	DESCRIPTION	COMMENTS
	M4853P3	Belt Tension Tool Kit	
1	M400008	Key	
2	M412156	Micro V Sheave	
3	M400035	Nut	
4	M401182P	Belt	
5	M411425P	Micro V Belt	
6	M412476	Guide Rail	
7	M400061	Screw	
8	M400043	Screw	
9	M403958	Washer	
10	M400080	Washer	
11	H88412101	Nut	
12	M412188	Washer	
13	44132405	Belt Guard Assembly	
14	M414405	Tension Plate Assembly	
15	M412627	Screw	
16	44117201	Motor Bracket	
17	M400026	Nut	
18	M400014	Washer	
19	M401327	Key	
20	M400092P	Sheave	Includes item 19 and 2 of item 21
21	M400065	Screw	
22	M400399	Ring	

NOTE: On nonreversing models, there is only one motor that functions as the drive motor and fan motor. Refer to *Fan Motors* section for motor part numbers.

Drive Components for Nonreversing Models Starting 8/1/11

All Models Except STF75L, STF75N, UB075E and UTF75N



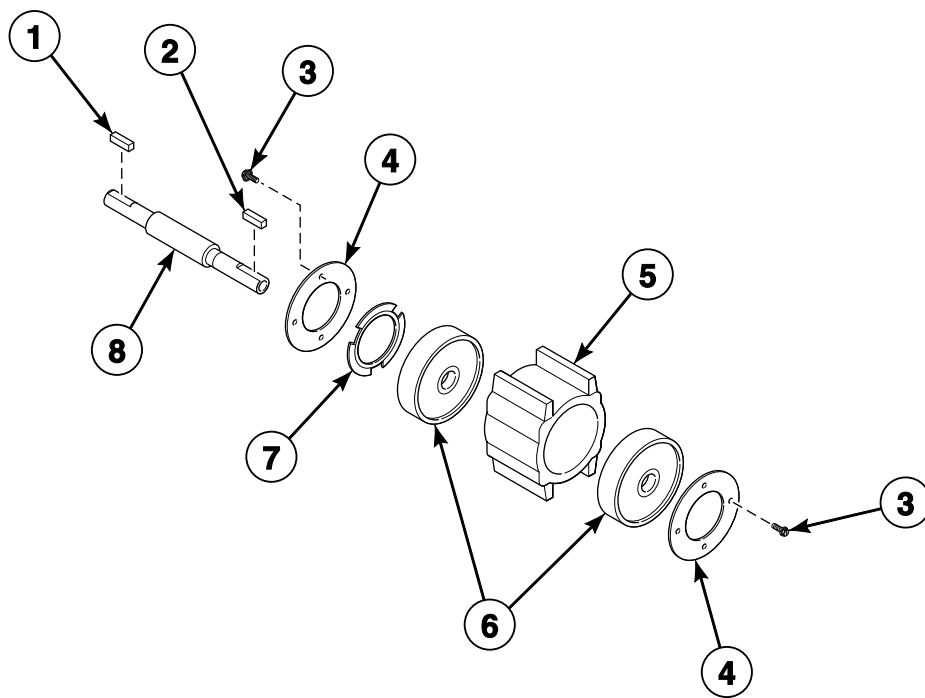
TMB3110P_70421901

Drive Components for Nonreversing Models Starting 8/1/11

REF	PART NO.	DESCRIPTION	COMMENTS
	44209001	Belt Idler Assembly	Includes items 7, 8, 10-12, 22, 23, 25-28 and 36
1	M401182P	Belt	
2	44024001	Spacer	
3	M412156	Micro V Sheave	
4	M400035	Nut	
5	M411425P	Micro V Belt	
6	M400014	Washer	
7	M412476	Guide Rail	
8	44107101	Idler Housing Assembly	
9	M400061	Screw	
10	M400080	Washer	
11	M403958	Washer	
12	M400043	Screw	
13	70265901	Washer	
14	430648	Screw	
15	44102701	Idler Arm	
16	430619	Drum Idler Wheel Assembly	
17	56156	Nut	
18	M400056	Screw	
19	70270301	Washer	
20	44222501	Guard Extension	
21	44132603	Belt Guard	
22	M411466P	Micro V Pulley	
23	M400077	Screw	
24	44087201	Nut	
25	H88412101	Nut	
26	M412188	Washer	
27	M414405	Tension Plate Assembly	
28	M412627	Screw	
29	M400057	Screw	
30	M400013	Washer	
31	02428	Nut	
32	44117201	Motor Bracket	
33	M401393	Bolt	
34	20274	Nut	
35	M400026	Nut	
36	44086901	Sheave	

NOTE: On nonreversing models, there is only one motor that functions as the drive motor and fan motor. Refer to *Fan Motors* section for motor part numbers.

Idler Housing Assembly for Non-Moisture Sensing Reversing Models Through 1/31/12



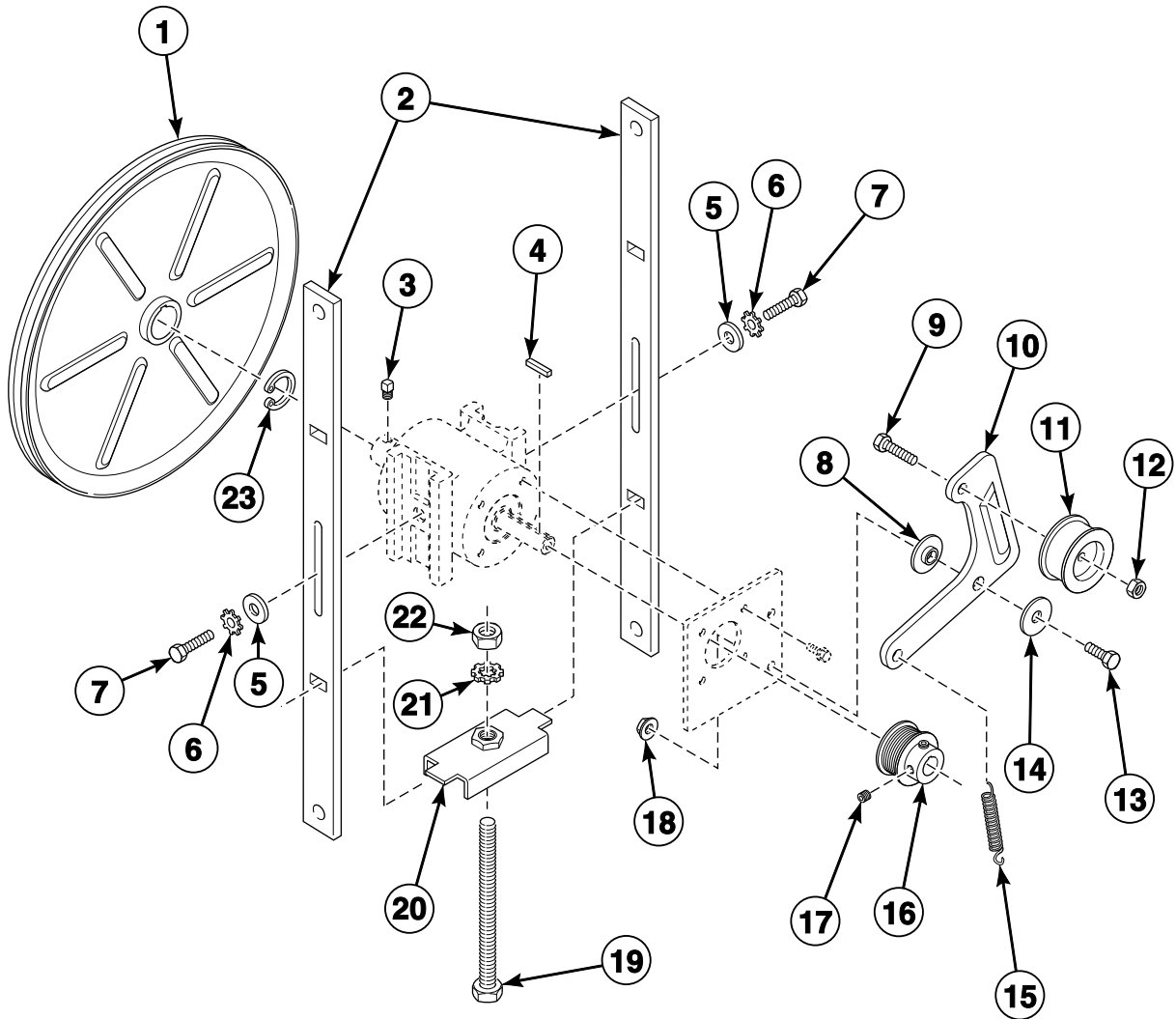
TMB2160P_70421901

Idler Housing Assembly for Non-Moisture Sensing Reversing Models Through 1/31/12

REF	PART NO.	DESCRIPTION	COMMENTS
	917P3	Idler Housing Kit	Includes items 1-4, 7 and M412476 Guide Rail, M412630 Idler Housing Assembly and 614P3 Idler Assembly Components Kit
1	M401327	Key	
2	M400993	Key	
3	70187201	Screw	8 required
4	M401370	Bearing Retainer	
5	M412612	Idler Housing	
6	M401375P	Ball Bearing	
7	M400401	Loading Spring	
8	M414241	Idler Shaft	

Idler Assembly for Nonreversing Models Through 7/31/11

All Models Except STF75L, STF75N, UB075E, UTF75L and UTF75N

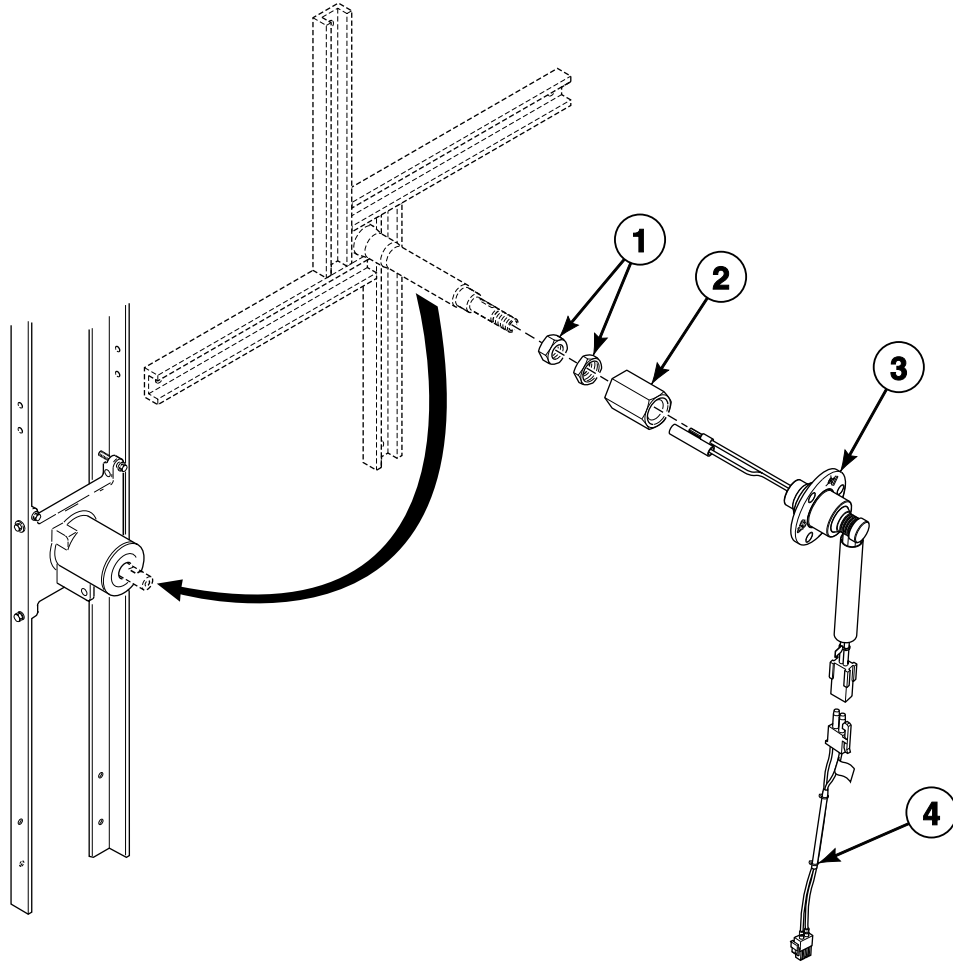


TMB3141P_70421901

Idler Assembly for Nonreversing Models Through 7/31/11

REF	PART NO.	DESCRIPTION	COMMENTS
	942P3P	Idler/Belt Assembly Kit	Use to replace whole assembly
	943P3P	Idler Housing Kit	
1	M400092P	Sheave	
2	M412476	Guide Rail	2 required
3	M400065	Screw	2 required
4	M401327	Key	2 required
5	M400080	Washer	2 required
6	M403958	Washer	2 required
7	M400043	Screw	2 required
8	70265901	Washer	
9	430648	Screw	
10	44102701	Idler Arm	
11	430619	Drum Idler Wheel Assembly	
12	56156	Nut	
13	M400056	Screw	
14	70270301	Washer	
15	M412120	Extension Spring	
16	M411466P	Micro V Pulley	
17	M400077	Screw	2 required
18	44087201	Nut	
19	M412627	Screw	
20	M414405	Tension Plate Assembly	
21	M412188	Washer	
22	H88412101	Nut	
23	M400399	Ring	

Moisture Sensing Components



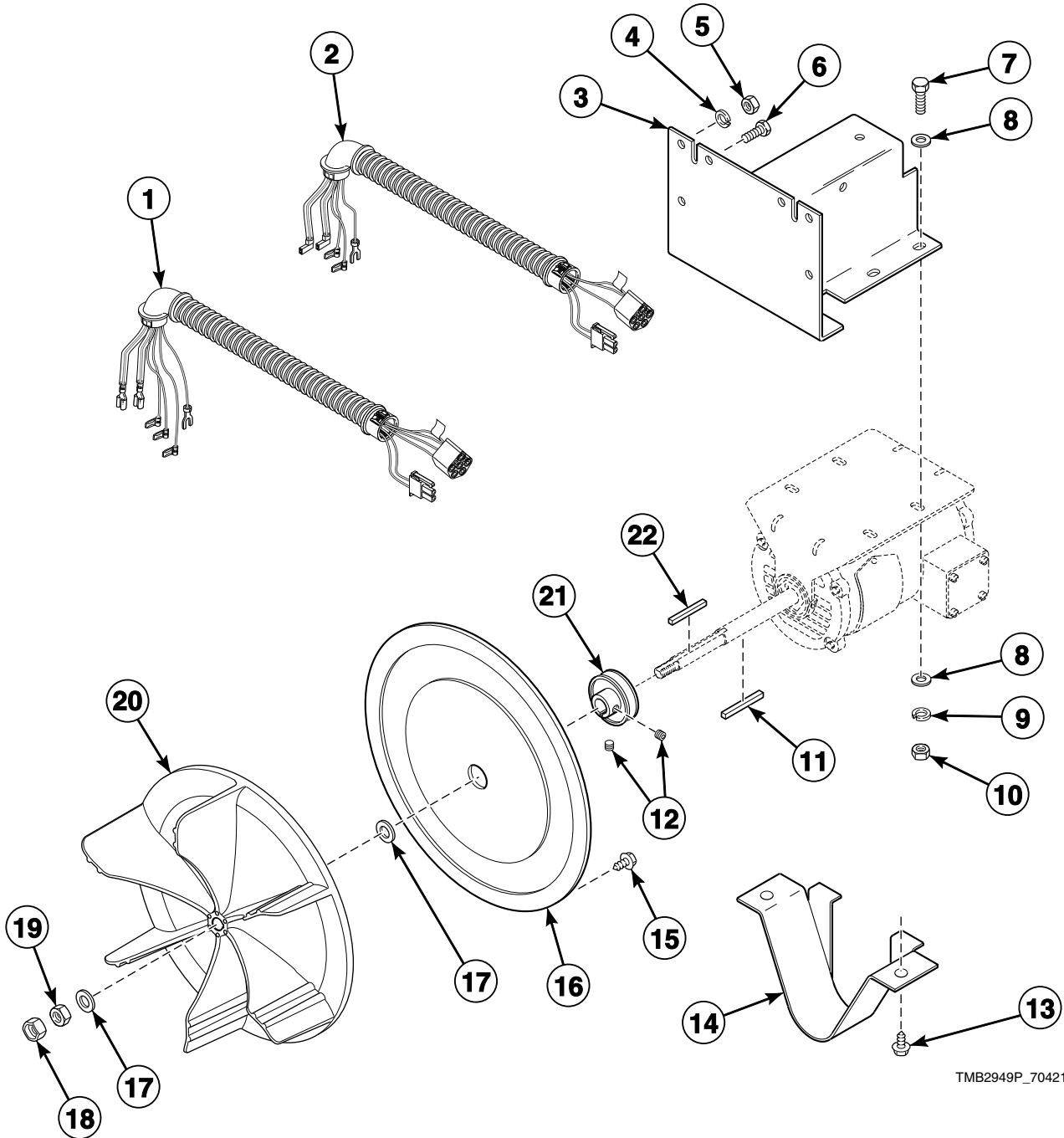
TMB3154P_70421901

Moisture Sensing Components

REF	PART NO.	DESCRIPTION	COMMENTS
1	M400035	Nut	
2	44224401	Slip Ring Holder	
3	44240201	Slip Ring Assembly	
4	70448901	Moisture Sensor Harness Assembly	Goes from item 3 to main harness

Fan Components

All Models Except STF75L, STF75N, UB075E, UTF75L and UTF75N



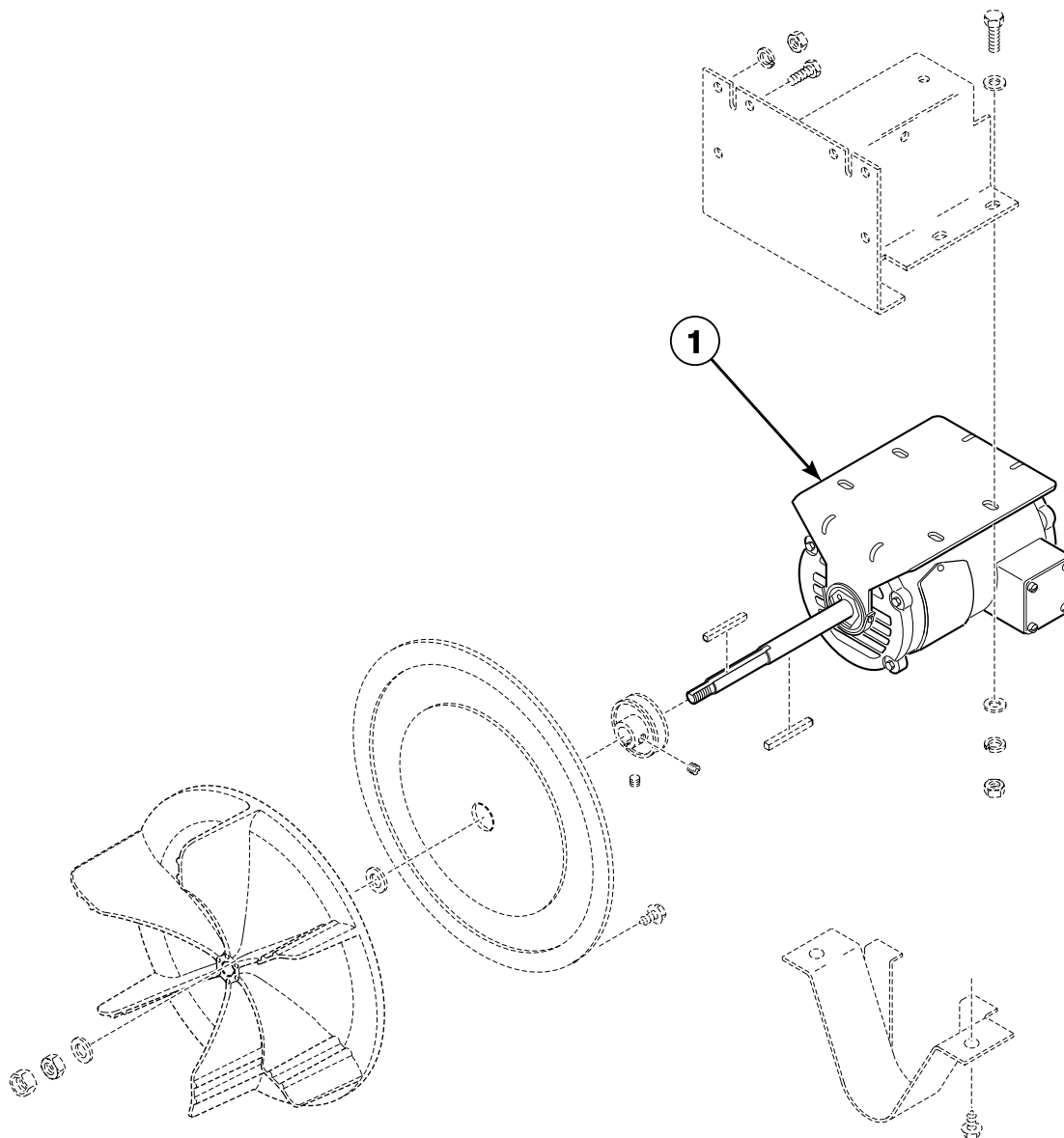
TMB2949P_70421901

Fan Components

REF	PART NO.	DESCRIPTION	COMMENTS
	M4426P3	Motor Hardware Kit	Includes items 11, 17-19 and 22
	M4525P3P	Resilient Ring Kit	2 per package
1	44169901	Fan Motor Harness	3 Phase
2	44137201P	Fan Motor Harness	1 Phase; Models through 2/19/12
	44245201	Motor Harness	1 Phase; Models starting 2/20/12
3	44117201	Motor Bracket	
4	M400014	Washer	
5	20274	Nut	
6	M401393	Bolt	2 required
7	M400057	Screw	
8	M400080	Washer	
9	M400013	Washer	
10	02428	Nut	
11	44132301	Key	Nonreversing; All models: 120 Volt/60 Hertz/1 Phase or 200-208 or 240 Volt/60 Hertz/1 Phase; Electric models: 200-208 Volt/60 Hertz/3 Phase or 240 Volt/60 Hertz/3 Phase
	M400993	Key	All other voltages
12	M400077	Screw	Supplied with pulley
13	430497	Screw	
14	M413008	Belt Guard	
15	M410059	Screw	7 required
16	M401362	Cover Plate	
17	M400991	Washer	
18	M400034	Nut	
19	M400022	Nut	
20	44127401P	Blower	
21	M414564	Pulley	60 Hertz; Nonreversing
	M414566	Pulley	50 Hertz; Nonreversing
22	M400994P	Key and Instruction Kit	

Fan Motors

All Models Except STF75L, STF75N, UB075E, UTF75L and UTF75N



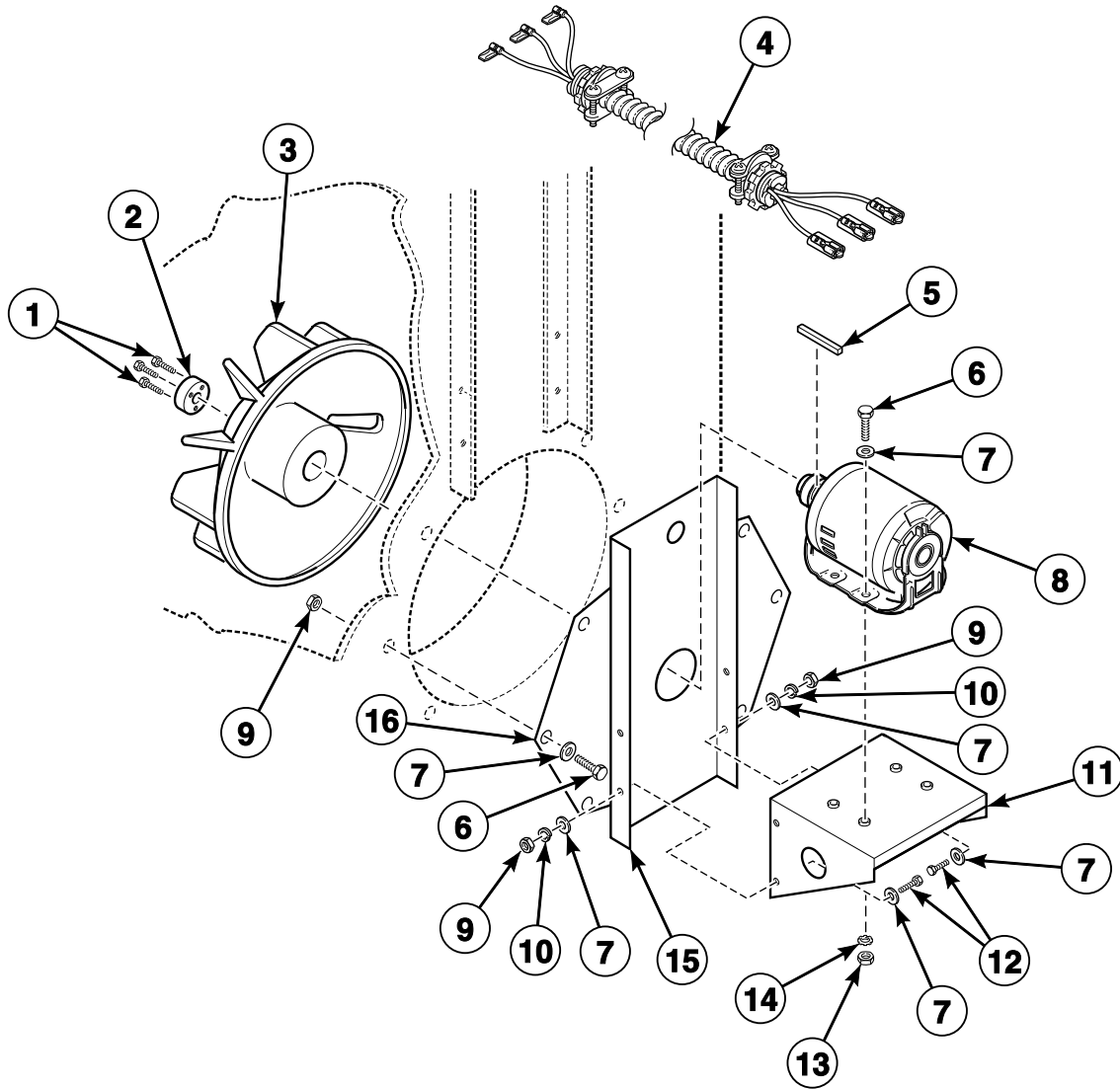
TMB2968P_70421901

Fan Motors

REF	PART NO.	DESCRIPTION	COMMENTS
1	44048601P	Motor	Models through 2/19/12; Use M410298 Motor Capacitor; Nonreversing; Gas and steam models with: 120 Volt/60 Hertz/1 Phase and 200-208 or 240 Volt/60 Hertz/1 Phase; Electric models with: 200-208 Volt/60 Hertz/3 Phase and 240 Volt/60 Hertz/3 Phase
	44242501P	Motor	Models starting 2/20/12; Use M410298 Motor Capacitor; Nonreversing; Gas and steam models with: 120 Volt/60 Hertz/1 Phase and 200-208 or 240 Volt/60 Hertz/1 Phase; Electric models with: 200-208 Volt/60 Hertz/3 Phase and 240 Volt/60 Hertz/3 Phase
	44046201P	Motor	3/4 horsepower; Gas and steam nonreversing models with: 200-208 or 240 Volt/60 Hertz/3 Phase, 460-480 Volt/60 Hertz/3 Phase, 200 Volt/50 Hertz/3 Phase, 230-240 Volt/50 Hertz/3 Phase and 380 or 400-415 Volt/50 Hertz/3 Phase; Electric nonreversing models with: 480 Volt/60 Hertz/3 Phase, 200 Volt/50 Hertz/3 Phase, 380 Volt/50 Hertz/3 Phase and 400-415 Volt/50 Hertz/3 Phase; Gas and steam reversing models with: 200-208 or 240 Volt/60 Hertz/3 Phase and 460-480 Volt/60 Hertz/3 Phase
	44048801P	Motor	Use M410300 Motor Capacitor; Nonreversing; Gas and steam models with: 230-240 Volt/50 Hertz/1 Phase; Electric models with: 240 Volt/50 Hertz/3 Phase
	44046001P	Fan Motor	1/3 horsepower; Reversing; Gas and steam models with: 200 Volt/50 or 60 Hertz/3 Phase, 230-240 Volt/50 or 60 Hertz/3 Phase and 380 or 400-415 Volt/50 or 60 Hertz/3 Phase; Electric models with: 480 Volt/50 or 60 Hertz/3 Phase, 380 Volt/50 Hertz/3 Phase and 400-415 Volt/50 or 60 Hertz/3 Phase
	44045901P	Fan Motor	Use M410301 Motor Capacitor; Reversing; Gas and steam models with: 230-240 Volt/50 Hertz/1 Phase; Electric models with: 240 Volt/50 Hertz/1 or 3 Phase and 200 Volt/50 Hertz/3 Phase
	44045701P	Motor	Use M410296 Motor Capacitor; Reversing; Electric models with: 200-208 Volt/60 Hertz/3 Phase and 240 Volt/60 Hertz/3 Phase

NOTE: Nonreversing motors listed above function as the fan motor and the drive motor.

Fan Components and Motor for STF, UB and UTF Models



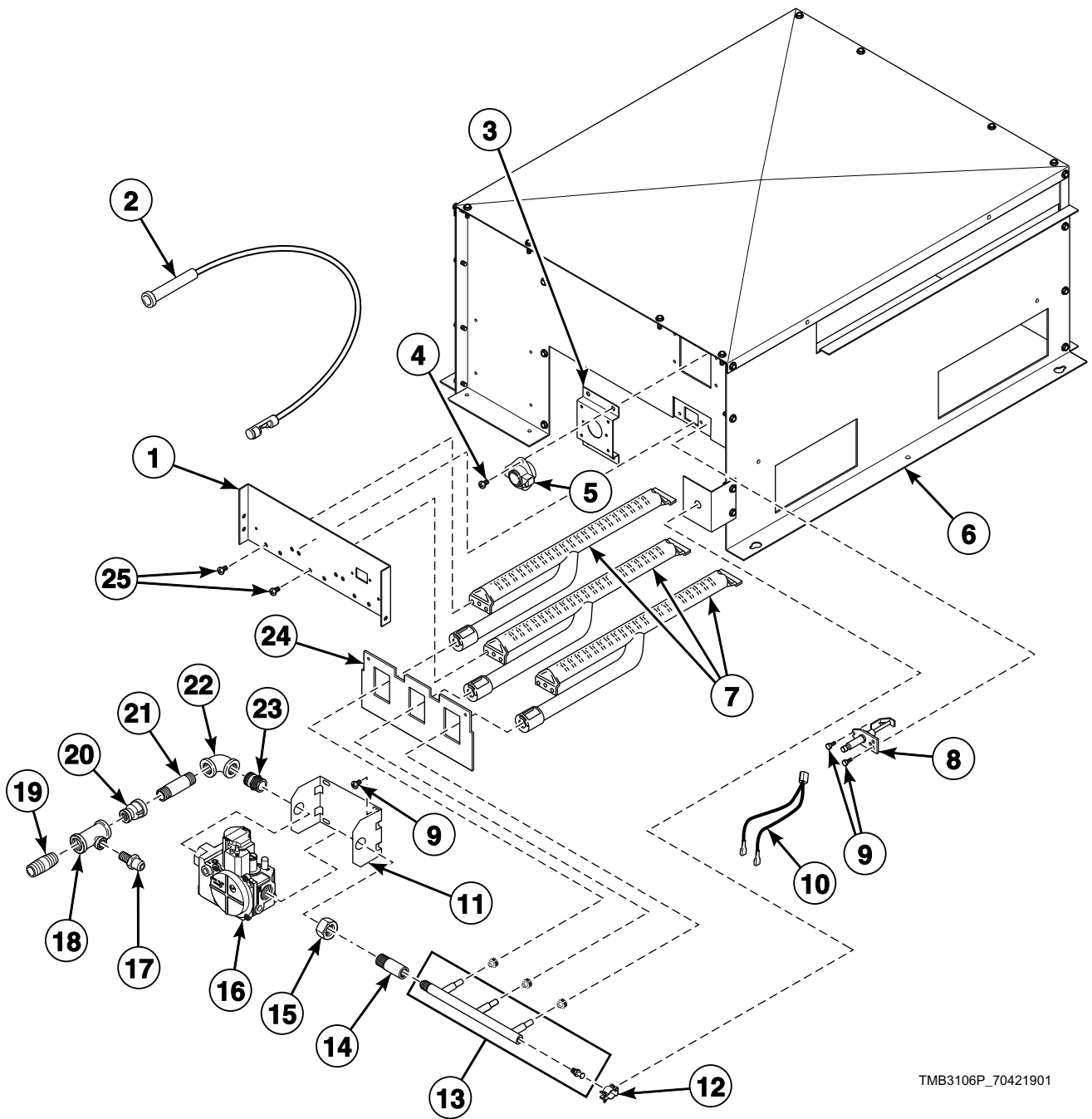
TMB2638P_70421901

Fan Components and Motor for STF, UB and UTF Models

REF	PART NO.	DESCRIPTION	COMMENTS
1	H8800901H	Screw	
2	H87529111P	Bushing	
3	M414546	Fan and Bushing Assembly	
4	44169901	Fan Motor Harness	
5	H8752006H	Key	
6	M400057	Screw	
7	M400080	Washer	
8	44046301P	Motor	
9	20274	Nut	
10	M400014	Washer	4 required
11	M413391	Motor Base	
12	22688	Screw	4 required
13	02428	Nut	4 required
14	M400013	Washer	4 required
15	N/A	Motor Channel	
16	M413399	Blower Cover	

N/A = Part no longer available

Gas Heater Components



TMB3106P_70421901

Gas Heater Components

REF	PART NO.	DESCRIPTION	COMMENTS
	M4545P3	L.P. Conversion Kit	Natural Gas (N.G.) to Liquid Petroleum Gas (L.P.); CE and Australian models
	M4454P3	L.P. Conversion Kit	N.G. to L.P.; Non-CE and non-Australian models except STF and UTF models
	M4609P3	L.P. Conversion Kit	N.G. to L.P.; Fast Dry; STF and UTF models
	M4897P3	L.P. Gas Valve Kit	Non-CE and non-Australian models
	M413468P	Gas Valve	N.G.; Non-CE and non-Australian models
	M4908P3	Valve Replacement Kit	N.G.; CE models; Use to replace valves through 11/30/09
	M4909P3	Valve Replacement Kit	L.P.; CE models; Use to replace valves through 11/30/09
1	44110301	Burner Support	
2	44061603	High Temperature Lead	
3	70356301	Switch Bracket	
4	M402797	Screw	2 required
5	M401404	Limit Thermostat	Non-CE and non-Australian models except STF and UTF models
	M411943	Manual Reset Thermostat	CE and Australian models
	M410220	Limit Thermostat	STF and UTF models
6	44135601	Gas Stove Assembly	Includes item 6
7	M410541P	Burner Assembly	3 required
8	M406934P	Spark Igniter	
9	56693	Screw	2 required
10	M412997	Harness Assembly	Non-CE and non-Australian models
	M413650	Gas Valve Harness Assembly	CE and Australian models
11	44175701	Gas Valve Bracket	
12	44155201	Pipe Clamp	Includes screw
13	M406810	Spud Holder Assembly	
14	44040501	Manifold Pipe	C, D and I non-CE and non-Australian models
	M406681	Manifold Pipe Assembly	All other models
15	M401548	Nut	
16	44181601P	Gas Valve	N.G.; Australian models
	44181602	Gas Valve	L.P.; Australian models
	44178301P	Gas Valve	N.G.; CE models; Use to replace valves starting 12/1/09
	44178302P	Gas Valve	L.P.; CE models; Use to replace valves starting 12/1/09
	44154501P	Gas Valve	N.G.; Non-CE and non-Australian models
	44154502P	Gas Valve	L.P.; Non-CE and non-Australian models
17	44231601	Pressure Fitting	CE and Australian models
18	44231901	Pipe Tee	CE and Australian models
19	431486	Pipe Nipple	CE and Australian models
20	M413453	Reducer	STF and UTF models
21	70210201	Pipe Nipple	Non-CE and non-Australian models
	70263801	Pipe Nipple	CE and Australian models
22	70079601	Elbow	
23	431486	Pipe Nipple	
24	44135201	Rear Access Plate	
25	70240301	Screw	6 required

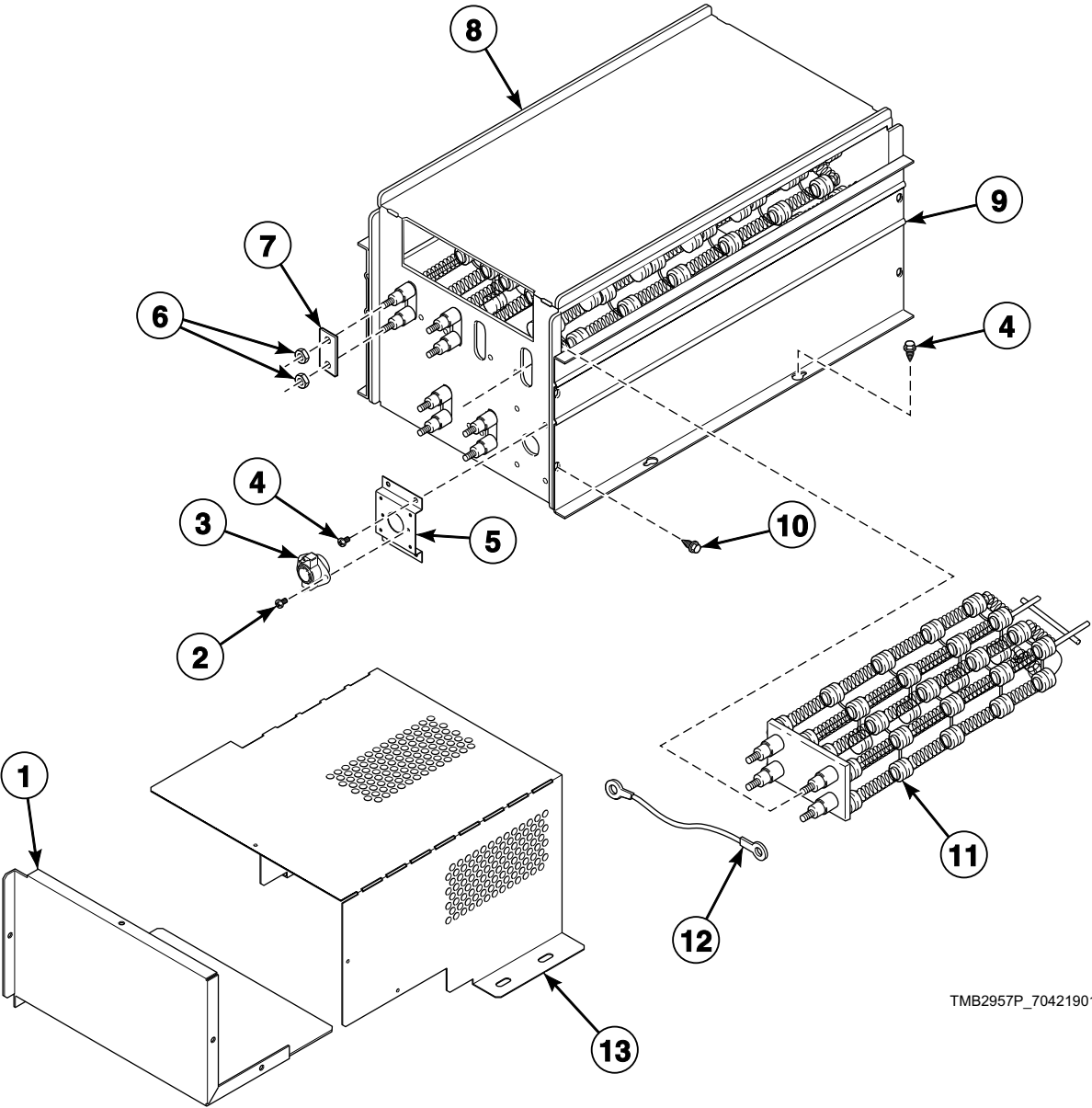
NOTE: For CE gas and orifice information, refer to Installation Manual.

Burner Orifices for Non-CE Models

REF	PART NO.	DESCRIPTION	COMMENTS
1	M406361	Burner Orifice	STF and UTF models; Liquid Petroleum Gas (L.P.); Drill no. 40 (2.5 mm); 0-2,000 feet; 3 required
	M401015	Burner Orifice	STF and UTF models; L.P.; Drill no. 41 (2.4 mm); 2,001-4,000 feet; 3 required
	M403017	Burner Orifice	STF and UTF models; L.P.; Drill no. 42 (2.4 mm); 4,001-6,000 feet; 3 required
	M406184	Burner Orifice	STF and UTF models; L.P.; Drill no. 43 (2.3 mm); 6,001-8,000 feet; 3 required
	M401011	Burner Orifice	STF and UTF models; L.P.; Drill no. 44 (2.2 mm); 8,001-10,000 feet; 3 required
	M401002	Burner Orifice	STF and UTF models; Natural Gas (N.G.); Drill no. 20 (4.1 mm); 0-2,000 feet; 3 required
	M402996	Burner Orifice	STF and UTF models; N.G.; Drill no. 22 (4.0 mm); 2,001-4,000 feet; 3 required
	M402980	Burner Orifice	STF and UTF models; N.G.; Drill no. 24 (3.9 mm); 4,001-6,000 feet; 3 required
	M401000	Burner Orifice	STF and UTF models; N.G.; Drill no. 26 (3.7 mm); 6,001-8,000 feet; 3 required
	M401014	Burner Orifice	STF and UTF models; N.G.; Drill no. 28 (3.6 mm); 8,001-10,000 feet; 3 required
	M401011	Burner Orifice	All models except DR75G2-BT075D, DR80G2-BT075D, HT075D, ST075D, STF and UTF; L.P.; Drill no. 44 (2.2 mm); 0-2,000 feet; 3 required
	M401027	Burner Orifice	Models DR75G2-BT075D, DR80G2-BT075D, HT075D and ST075D: 0-2,000 feet; All other models: 2,001-4,000 feet; L.P.; Drill no. 45 (2.1 mm); 3 required
	M400999	Burner Orifice	All models except STF and UTF; L.P.; Drill no. 47 (2.0 mm); 4,001-8,000 feet; 3 required
	M401001	Burner Orifice	All models except STF and UTF; L.P.; Drill no. 48 (1.9 mm); 8,001-10,000 feet; 3 required
	M401014	Burner Orifice	All models except STF and UTF; N.G.; Drill no. 28 (3.6 mm); 0-2,000 feet; 3 required
	M400997	Burner Orifice	All models except STF and UTF; N.G.; Drill no. 29 (3.4 mm); 2,001-4,000 feet; 3 required
	M401021	Burner Orifice	All models except STF and UTF; N.G.; Drill no. 30 (3.3 mm); 4,001-6,000 feet; 3 required
	M402489	Burner Orifice	All models except STF and UTF; N.G.; Drill no. 1/8 (3.2 mm); 6,001-8,000 feet; 3 required
	M401017	Burner Orifice	All models except STF and UTF; N.G.; Drill no. 31 (3.0 mm); 8,001-10,000 feet; 3 required

NOTE: For CE gas and orifice information, refer to Installation Manual.

Electric Heater Components

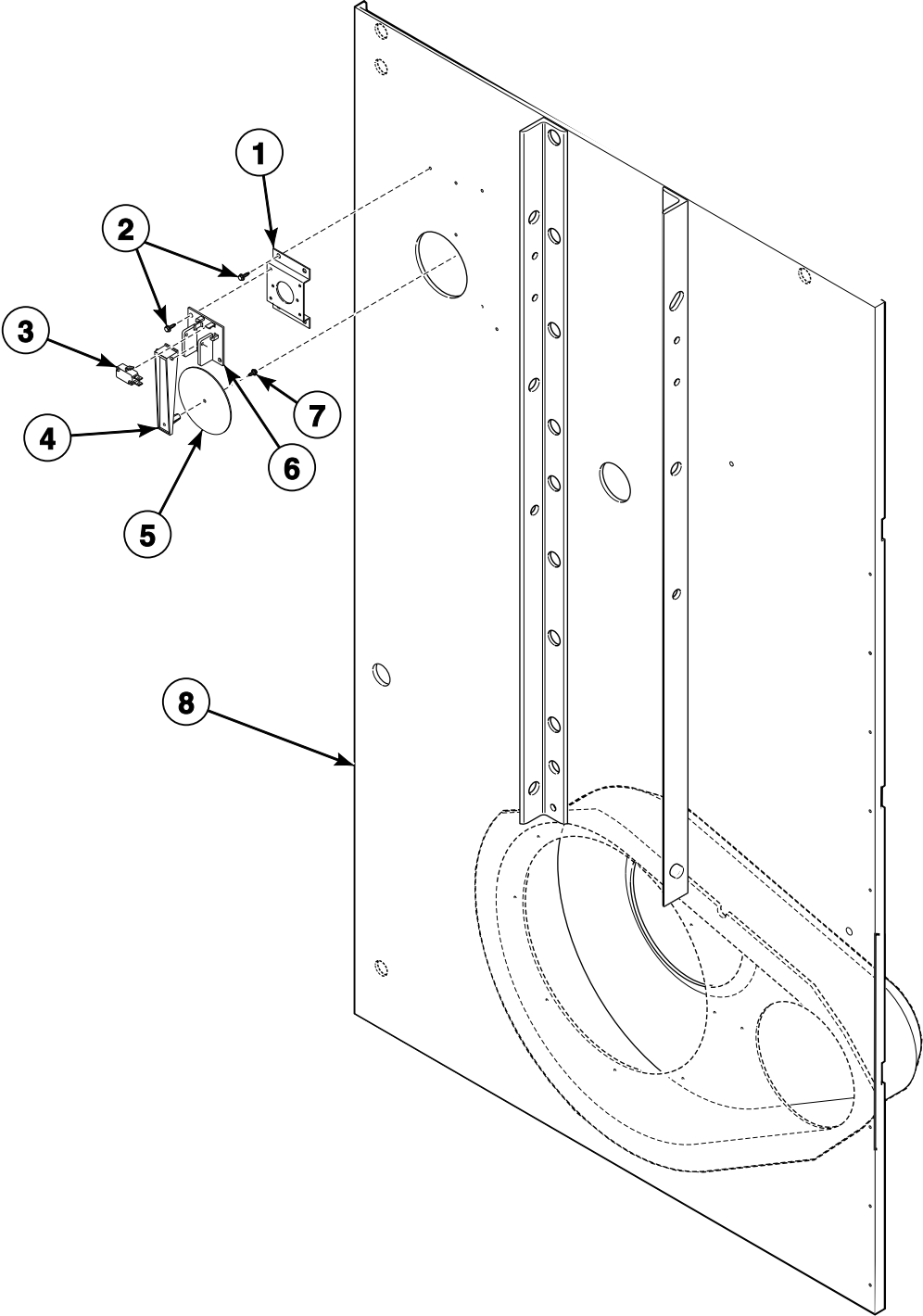


TMB2957P_70421901

Electric Heater Components

REF	PART NO.	DESCRIPTION	COMMENTS
1	44154901	Electric Accessory Box Cover	
2	33562	Screw	
3	M409433	Limit Thermostat	
4	430497	Screw	
5	70356301	Switch Bracket	
6	70054	Nut	
7	M400866	Jumper Bar	380 Volt/50 Hertz/3 Phase, 400-415 Volt/50 Hertz/3 Phase and 480 Volt/60 Hertz/3 Phase
	M400869	Jumper Strip	3 required for 480 Volt/60 Hertz/3 Phase; 6 required for all others
8	44153301	Heater Box Cover	
9	44154801	Heater Side	
10	70240301	Screw	
11	M410939P	Heater Element	10 kW; 240 Volt; 3 required for 230 or 240 Volt/60 Hertz/3 Phase, 400-415 Volt/50 Hertz/3 Phase and 480 Volt/60 Hertz/3 Phase
	M410940P	Heater Element	Non-CE models; 10 kW; 208 Volt; 3 required for 200 Volt/50 Hertz/3 Phase and 200-208 Volt/60 Hertz/3 Phase
	M410941P	Heater Element	10 kW; 220 Volt; 3 required for 380 Volt/50 Hertz/3 Phase
12	M412287	Jumper Wire Assembly	1 required for 380 Volt/50 Hertz/3 Phase and 400-415 Volt/50 Hertz/3 Phase; 2 required for 480 Volt/60 Hertz/3 Phase
13	44154701	Electric Accessory Box Wrap	

Airflow Switch Assembly

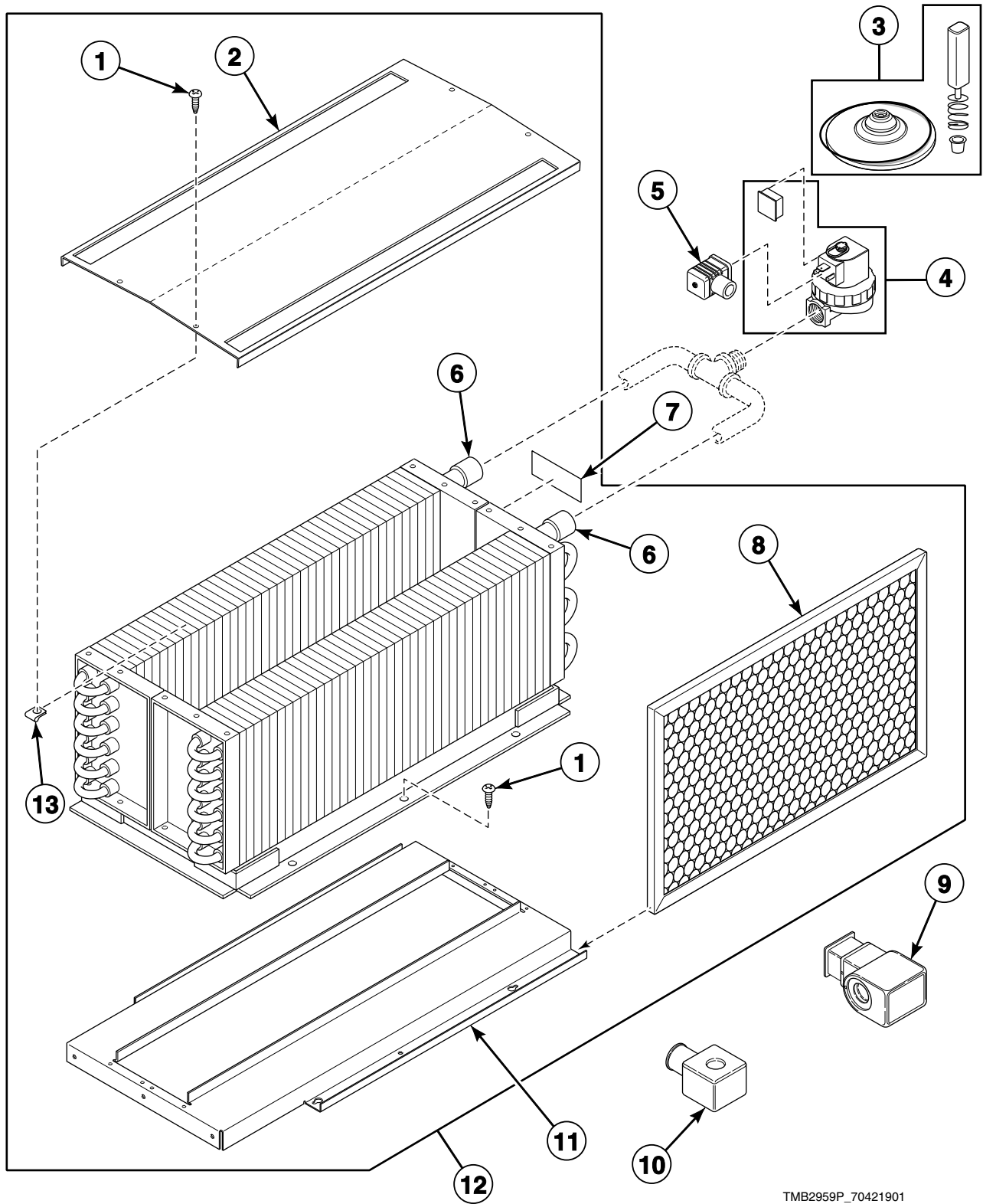


TMB2958P_70421901

Airflow Switch Assembly

REF	PART NO.	DESCRIPTION	COMMENTS
	44142901	Airflow Switch Assembly	Includes items 1-7
1	70356301	Switch Bracket	
2	430497	Screw	6 required
3	70411901	Switch	
4	70319401	Airflow Switch Arm	
5	70319202	Airflow Switch Vane	
6	70319601	Airflow Switch and Arm Bracket	
7	430757	Screw	
8	44171301	Rear Panel Assembly	STF and UTF models
	44171201	Rear Panel Assembly	All other models

Steam Heater and Valve



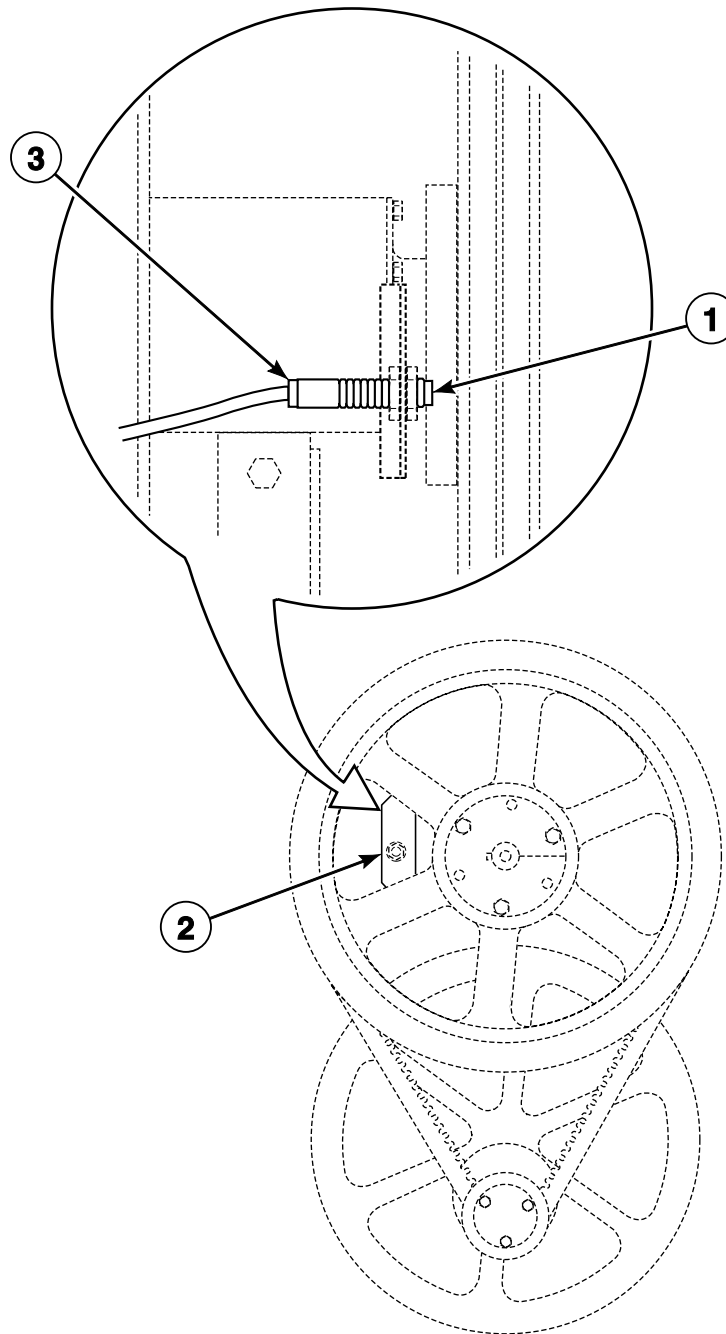
TMB2959P_70421901

Steam Heater and Valve

REF	PART NO.	DESCRIPTION	COMMENTS
	M405188	Screw	Thermal oil models; 8 required
	33562	Screw	Thermal oil models; 4 required
	M414760	Top Cover	Thermal oil models
	M412997	Harness Assembly	
1	430497	Screw	
2	M400828	Low Pressure Steam Cover	
3	70351021P	Steam Valve Rebuild Kit	All models except thermal oil models; Use with 70351001P and 70351002P Steam Valves
	F8379502	Valve Rebuild Kit	All models except thermal oil models; Use with F8322902 and F8322903 Steam Valves
4	F8322903	Steam Valve	All models except thermal oil models; 50 Hertz
	70351001P	Steam Valve	Models through Serial No. 1009000099; All models except thermal oil models; 60 Hertz
	F8322902	Steam Valve	Models starting Serial No. 1009000100; All models except thermal oil models; 60 Hertz
5	70370301P	Solenoid Valve DIN Connector	All models except thermal oil models
6	M400637P	Steam Coil	2 required; All models except thermal oil models
7	902303	Steam Pressure Label	All models except thermal oil models; Near inlet to indicate maximum steam pressure
8	44172001	Filter	2 required; CE models
	44104201	Air Filter	2 required; All other models
9	70351012	Steam Solenoid	All models except thermal oil models; 50 Hertz
10	70351011P	Steam Solenoid	All models except thermal oil models; 60 Hertz
11	44007501	Steam Stand Box	
12	44020401P	Steam Heater Assembly	All models except thermal oil models
13	M400974	Clip	

Rotation Sensor

C, D and I Models

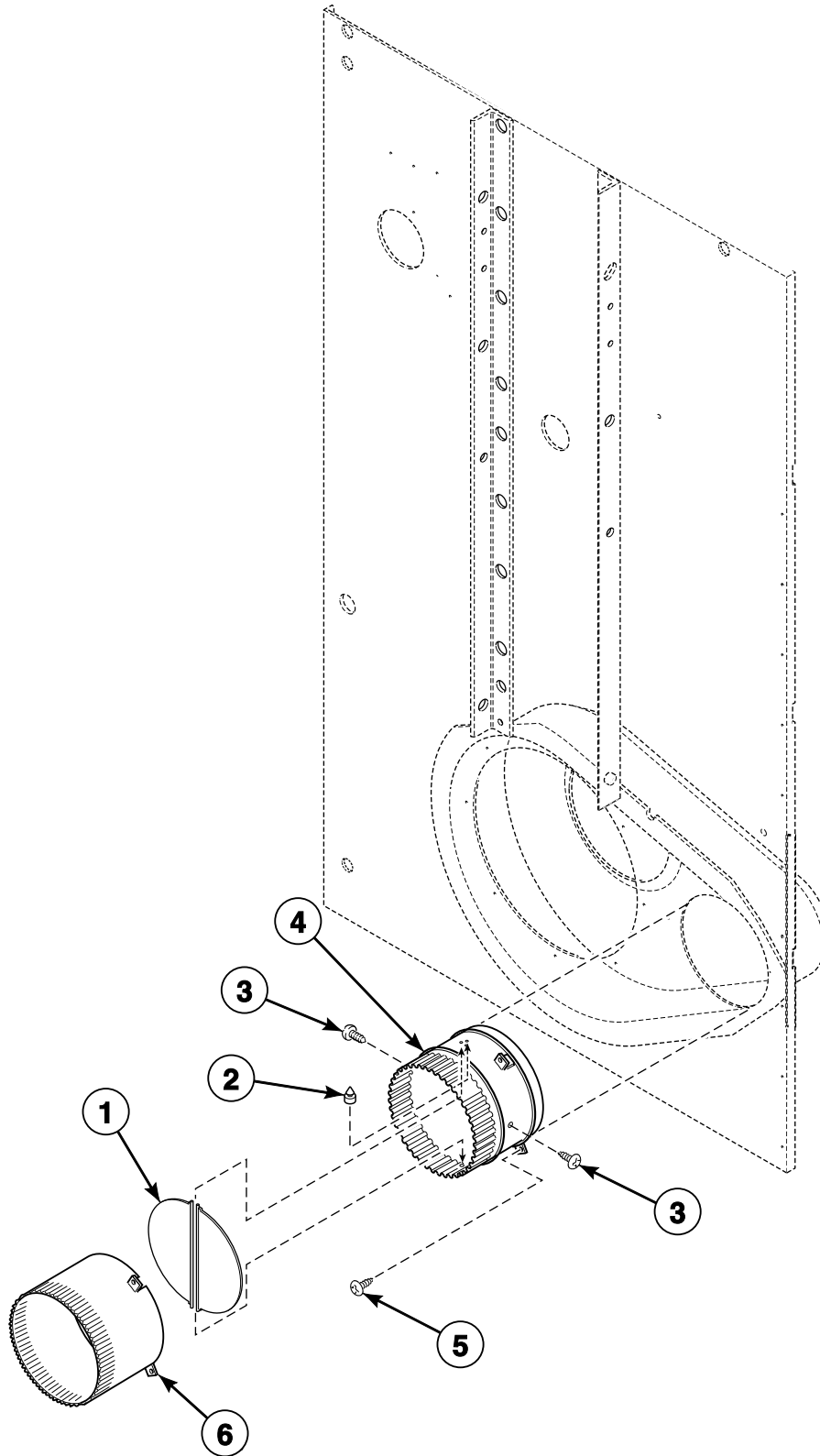


TMB2009P_70421901

Rotation Sensor

REF	PART NO.	DESCRIPTION	COMMENTS
1	44199701	Rotation Sensor	Includes plug; Models with EO and RE control suffixes
	70274001P	Rotation Sensor	Includes plug; C and I models; All other control suffixes
	70417401P	Rotation Sensor Assembly	Includes plug; D models; All other control suffixes
2	44207501	Bracket	Models with EO and RE control suffixes
	44044501	Proximity Bracket	All other control suffixes
3	F8066401	Rotation Sensor Harness	Models with EO and RE control suffixes
	70274102P	Rotation Sensor Cable Assembly	Includes connector; All other control suffixes

Duct and Damper Assembly

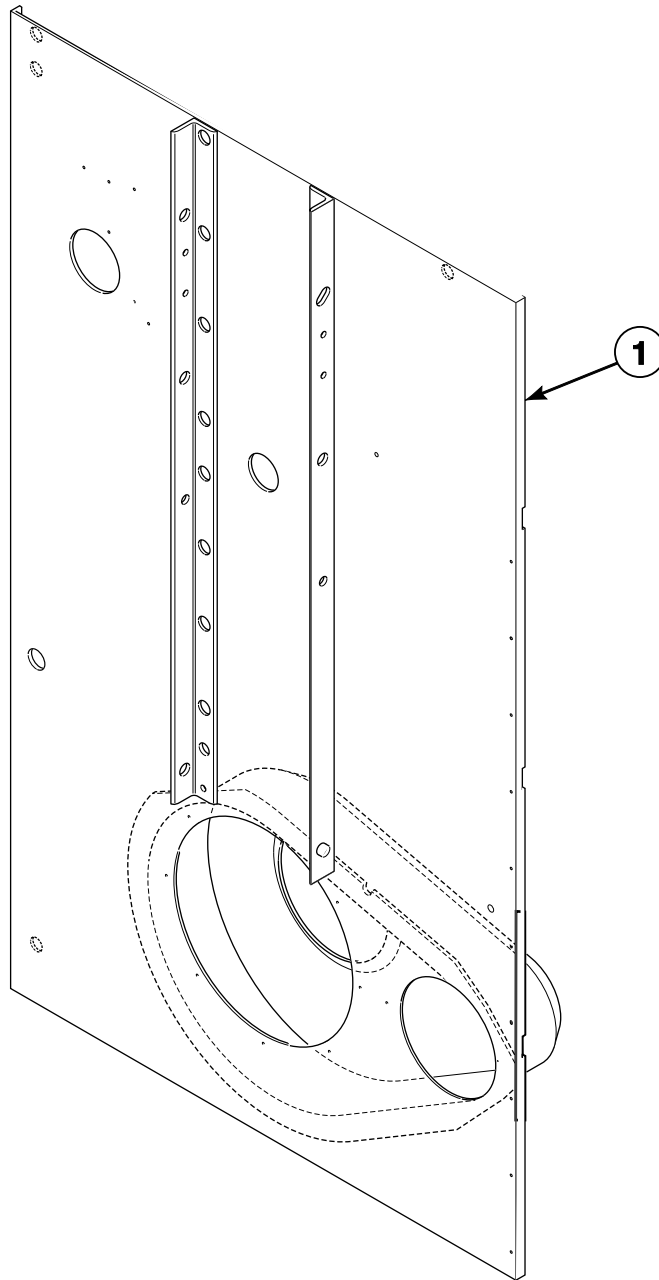


TMB2983P_70421901

Duct and Damper Assembly

REF	PART NO.	DESCRIPTION	COMMENTS
1	M413382	Thimble Vane Assembly	STF and UTF models; 2 required
	M400503	Thimble Vane Assembly	All other models; 2 required
2	M400795	Bumper	
3	M405188	Screw	2 required
4	M412288	Exhaust Thimble Assembly	All models except STF and UTF models
5	M411072	Screw	3 required
6	M413173	Exhaust Thimble	STF and UTF models

Rear Panel Assembly

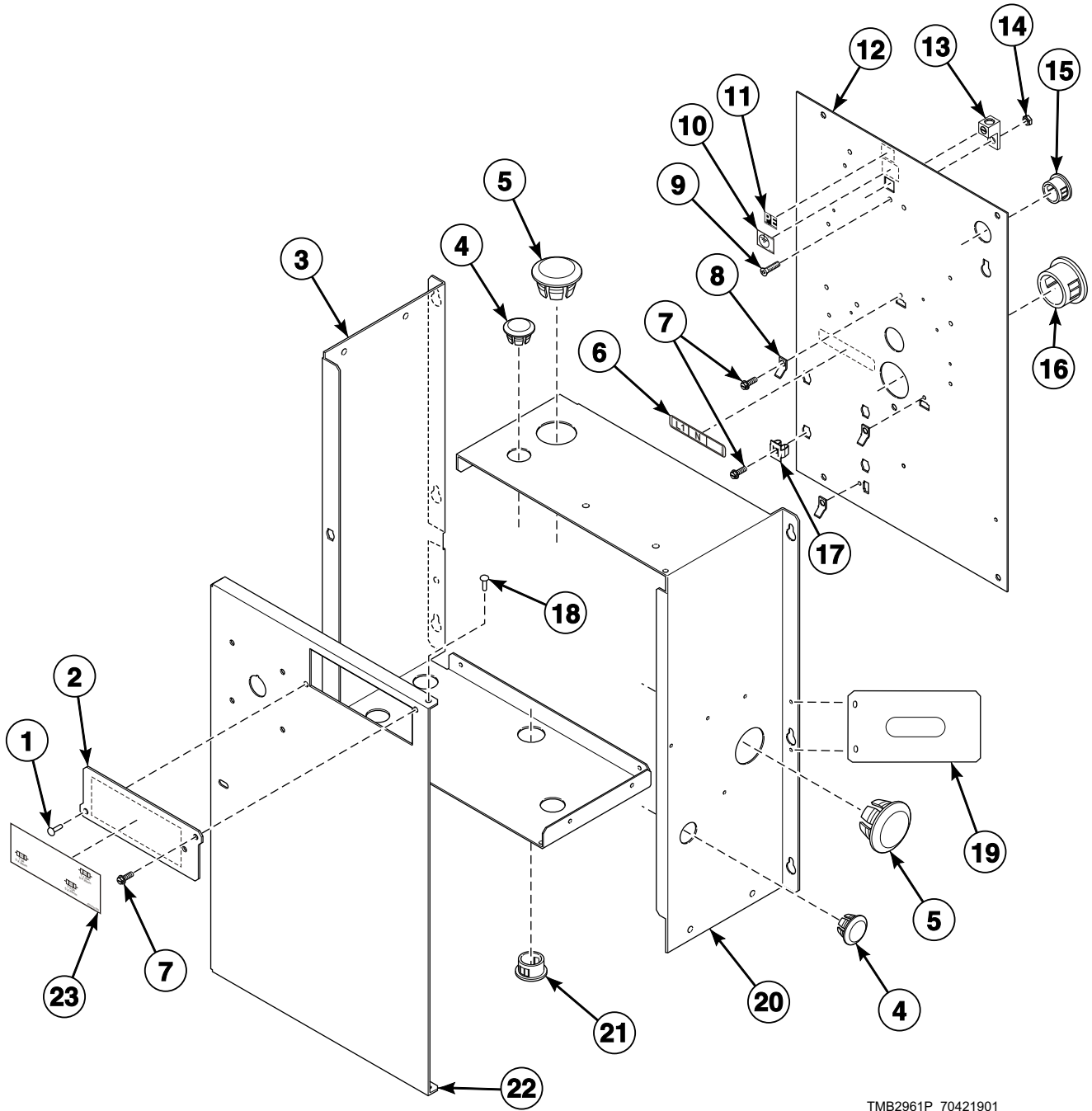


TMB2984P_70421901

Rear Panel Assembly

REF	PART NO.	DESCRIPTION	COMMENTS
1	44171301	Rear Panel Assembly	STF and UTF models
	44171201	Rear Panel Assembly	All other models

Control Tray Wrap Components



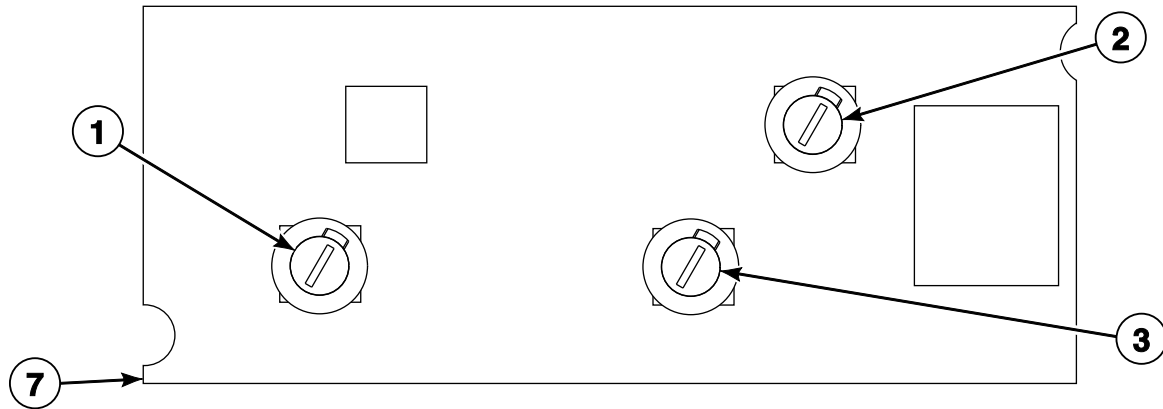
TMB2961P_70421901

Control Tray Wrap Components

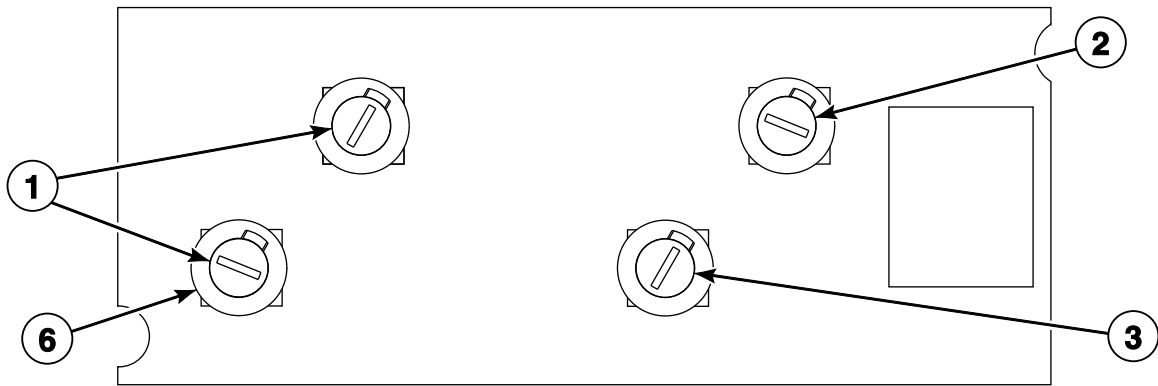
REF	PART NO.	DESCRIPTION	COMMENTS
1	70058501	Pop Rivet	
2	70313301	Fuse Cover	
3	44159001	Contactactor Box Side	
4	M400985	Plug	Gas models nonreversing 2 required, reversing 1 required; Steam and electric models nonreversing 3 required, reversing 2 required
5	F8223801	Hole Plug	Gas and steam models 2 required; Electric models 1 required
6	70218801	Wire Label	L1, N
	70218701	Wire Label	L1, L2, L3
	70219001	Wire Label	L1, N, L2; Gas and steam models
7	F8206901	Screw	4 required
8	00177	Male Tab Terminal	3 required
9	F430909	Screw	
10	F230739	Ground Decal	
11	M412096	Earth Terminal Sticker	
12	44133701	Contactactor Box Base	
13	M411283	Ground Lug Connector	
14	F430232	Nut	
15	44071501	Snap Bushing	Gas models
16	M405340	Snap Bushing	Electric models 2 required; Gas and steam models 1 required
17	70030501	Expansion Clip	5 required
18	70058502	Pop Rivet	2 required
19	44175801	Pipe Bracket	
20	44158901	Contactactor Box Side	
21	70178701	Snap Bushing	
22	44134001	Contactactor Box Cover	Gas and steam Non-CE models
	44134002	Contactactor Box Cover	Gas and steam CE models
	44134003	Contactactor Box Cover	Electric models
23	70337301	Fuse Label	3 fuses
	70337201	Fuse Label	4 fuses; Models with less than 380 Volts
	70337401	Fuse Label	4 fuses; Models with 380 Volts or higher

Control Tray Fuses

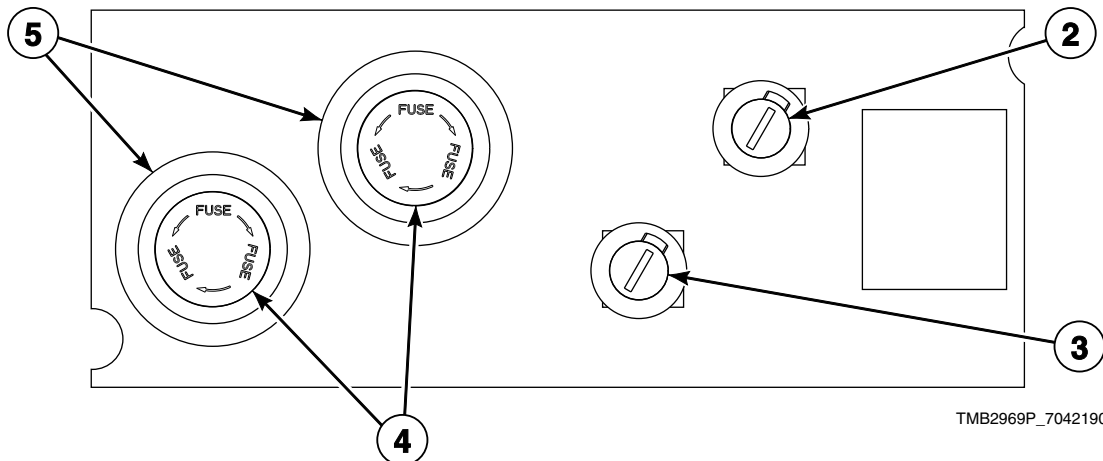
MODELS WITH LESS THAN 380 VOLTS/1 PHASE



MODELS WITH LESS THAN 380 VOLTS/3 PHASE



MODELS WITH 380 VOLTS OR HIGHER/3 PHASE

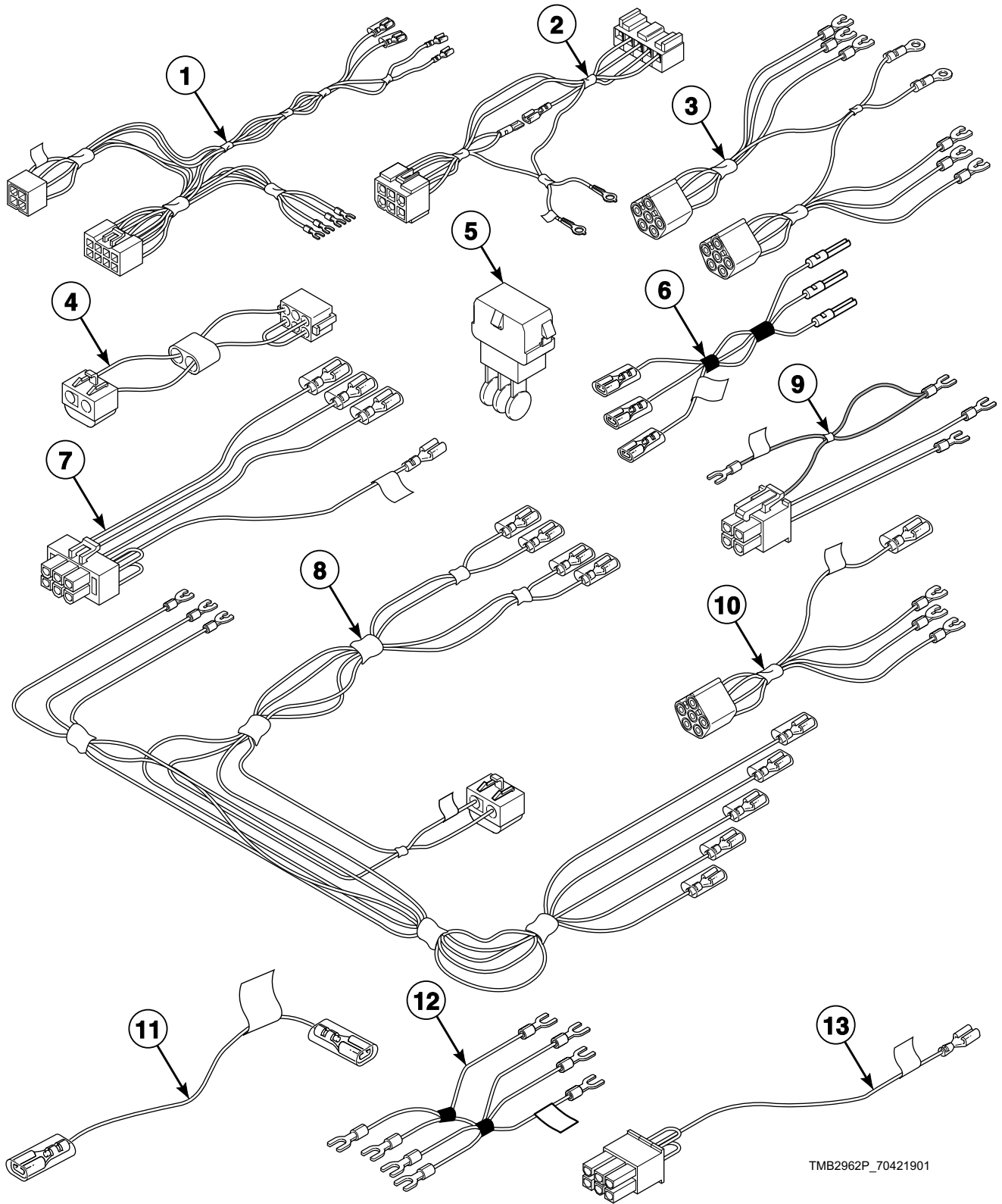


TMB2969P_70421901

Control Tray Fuses

REF	PART NO.	DESCRIPTION	COMMENTS
1	70406701	Fuse	2 Amp
2	70406501	Fuse	1.25 Amp
3	70406601	Fuse	3.5 Amp
4	M413621	Fuse	.5 Amp
5	44155601	Fuse Holder	
6	70329401P	Fuse Holder Body	
	70329501	Fuse Holder Cap	
7	70313602	Fuse Bracket	Models with 380 Volts or higher
	70306901	Fuse Bracket	Models with less than 380 Volts

Control Tray Harnesses for Gas and Steam Models

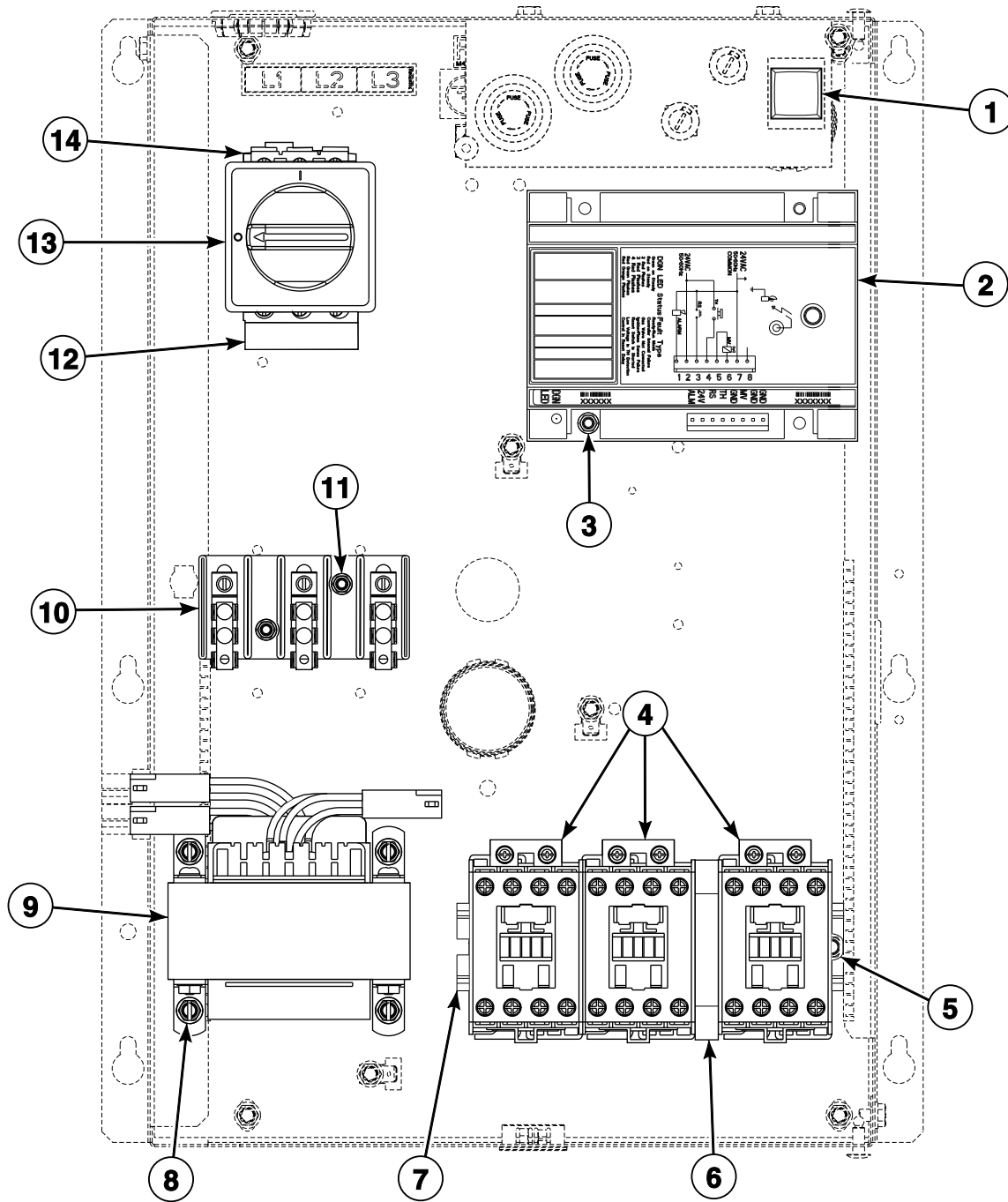


TMB2962P_70421901

Control Tray Harnesses for Gas and Steam Models

REF	PART NO.	DESCRIPTION	COMMENTS
1	44136701P	Junction Box Harness	
2	44186701	Ignition Control Harness	Non-CE gas models
	44186901	Ignition Control Harness	CE gas models with EO, RE, RU and UO control suffixes
	44136601P	Ignition Control Harness	CE gas models with all other control suffixes
3	44139901P	Motor Contactor Harness	1 Phase; Reversing
	44142601P	Motor Contactor Harness	3 Phase; Reversing
4	M413506	Jumper Harness Assembly	208 Volt
	M413507	Jumper Configuration Assembly	240 Volt
	M413508	Jumper Harness Assembly	380 Volt
	M413510	Jumper Configuration Assembly	480 Volt
5	M413863	Network Capacitor Assembly	
6	70342101	Gas Disconnect Harness	CE models
7	44143401P	Network Capacitor Harness Assembly	
8	44136201P	Power Harness	3 Phase models with 380 Volts or higher
	44136301P	Power Harness	3 Phase models with less than 380 Volts
	44139801P	Power Harness	1 Phase
9	44139601P	Reversing Contactor Harness	
10	44137001P	Motor Contactor Harness	3 Phase
	44136401	Motor Contactor Harness	1 Phase; Models through 2/19/11
	44245301	Motor Contactor Harness	1 Phase; Models starting 2/20/11
11	70389901	Steam Stove Limit Bypass Harness	Steam models
12	44157401	Reversing Contactor Jumper Wire	1 Phase; Upper
	44139501	Reversing Contactor Jumper	1 Phase; Lower
	44136801	Reversing Contactor Jumper Assembly	Upper
	44136901	Reversing Contactor Jumper Assembly	Lower
13	44142801	Steam Configuration Harness	Steam models

Control Tray Components for Gas Models

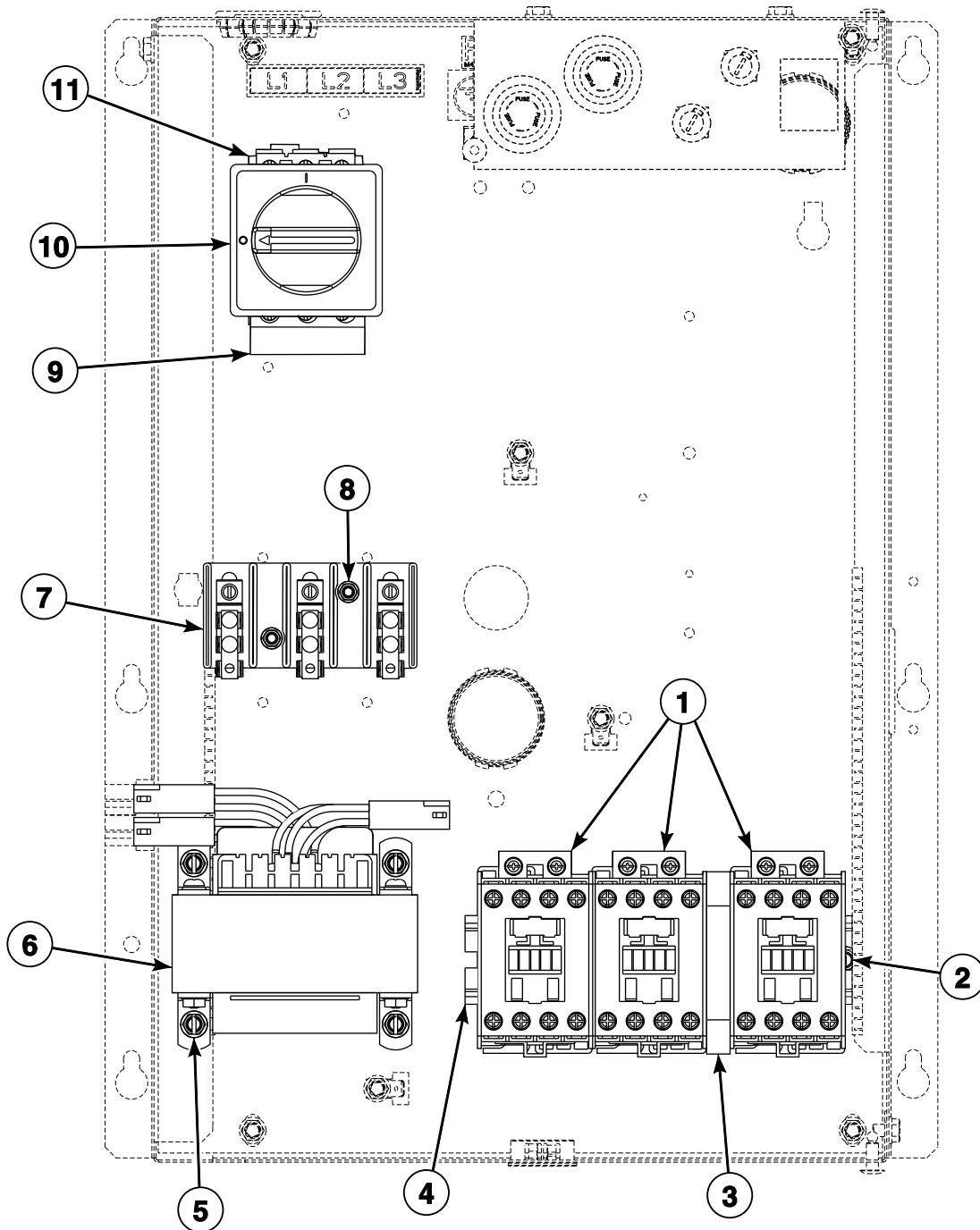


TMB2964P_70421901

Control Tray Components for Gas Models

REF	PART NO.	DESCRIPTION	COMMENTS
1	M413431	Pushbutton Switch	CE and Australian models
2	70367301P	Ignition Control	Non-CE and non-Australian models
	70367401P	Ignition Control	CE and Australian models
3	38272	Screw	
4	70323701P	Contactors	Nonreversing 1 required, reversing 3 required
5	430497	Screw	2 required
6	F330186P	Interlock Contactor	Reversing
7	M412693	Din Rail	
8	M411072	Screw	4 required
9	M414228P	Transformer	Multitap; 100-240 Volt
	M414229P	Transformer	Multitap; 380-480 Volt
	44074401	Transformer	Dual secondary; 440 Volt
	M414230P	Transformer	Single secondary; 120 Volt
	M414312P	Transformer	Dual secondary; 120 Volt
10	430642	Terminal Block	Use 70333001 Terminal Block Shield to protect terminal block
11	44083001	Screw	2 required
12	M412366	Finger Guard	CE models; Models through 7/31/11
13	M412208	Handle	CE models; Models through 7/31/11; 44160701 Extension Handle attaches to operator handle; M412368 Interlock Door mounts under operator handle
14	M412187P	Mounting Switch Base	CE models; Models through 7/31/11; Use 51782 Screw to attach

Control Tray Components for Steam Models

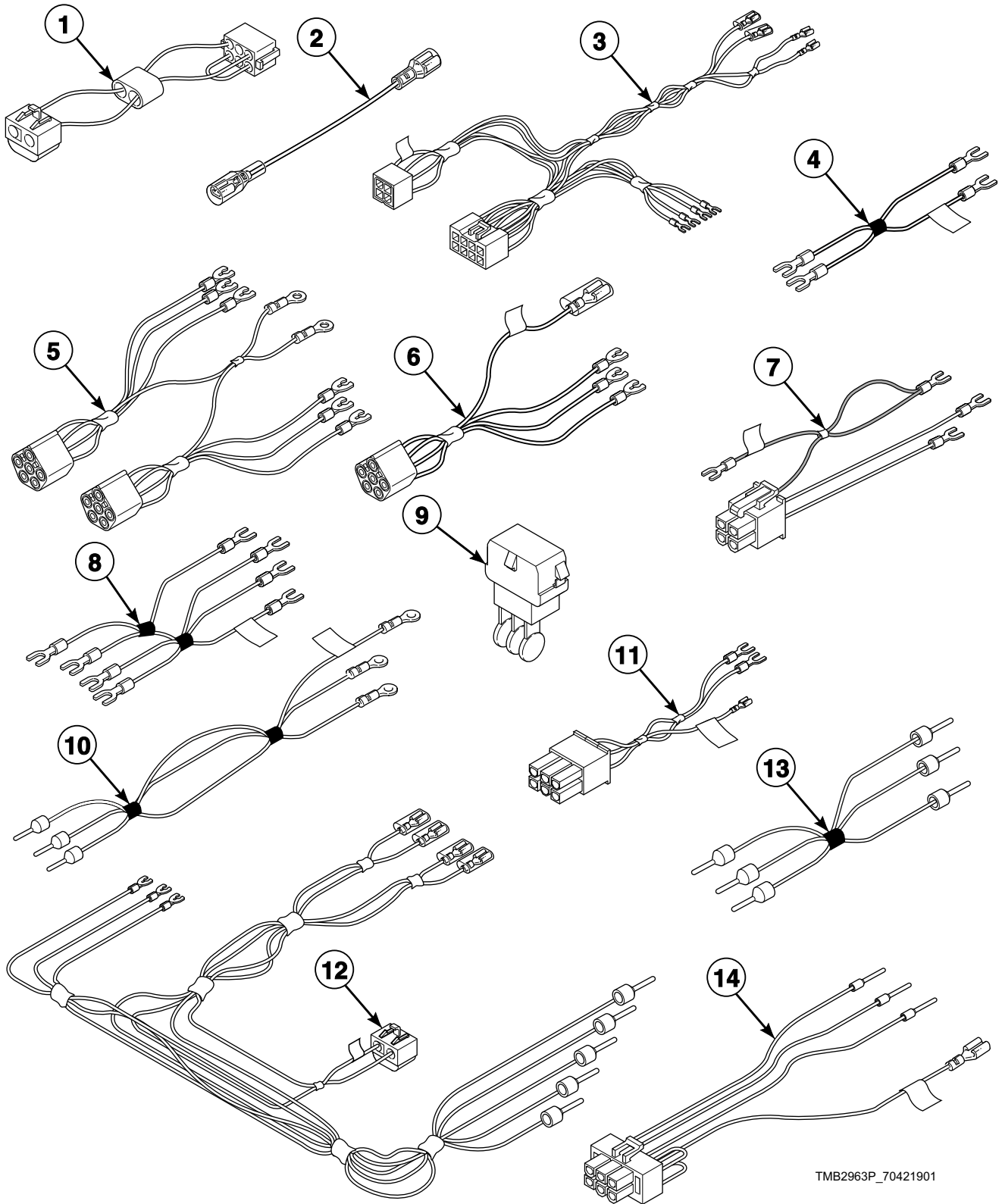


TMB2965P_70421901

Control Tray Components for Steam Models

REF	PART NO.	DESCRIPTION	COMMENTS
1	70323701P	Contactors	Nonreversing 1 required, reversing 3 required
2	430497	Screw	2 required
3	F330186P	Interlock Contactor	Reversing
4	M412693	Din Rail	
5	M411072	Screw	4 required
6	M414228P	Transformer	Multitap; 100-240 Volt
	M414229P	Transformer	Multitap; 380-480 Volt
	44074401	Transformer	Dual secondary; 440 Volt
	M414230P	Transformer	Single secondary; 120 Volt
	M414312P	Transformer	Dual secondary; 120 Volt
7	430642	Terminal Block	Use 70333001 Terminal Block Shield to protect terminal block
8	44083001	Screw	2 required
9	M412366	Finger Guard	CE models; Models through 7/31/11
10	M412208	Handle	CE models; Models through 7/31/11; 44160701 Extension Handle attaches to operator handle; M412368 Interlock Door mounts under operator handle
11	M412187P	Mounting Switch Base	CE models; Models through 7/31/11; Use 51782 Screw to attach

Control Tray Harnesses for Electric Models

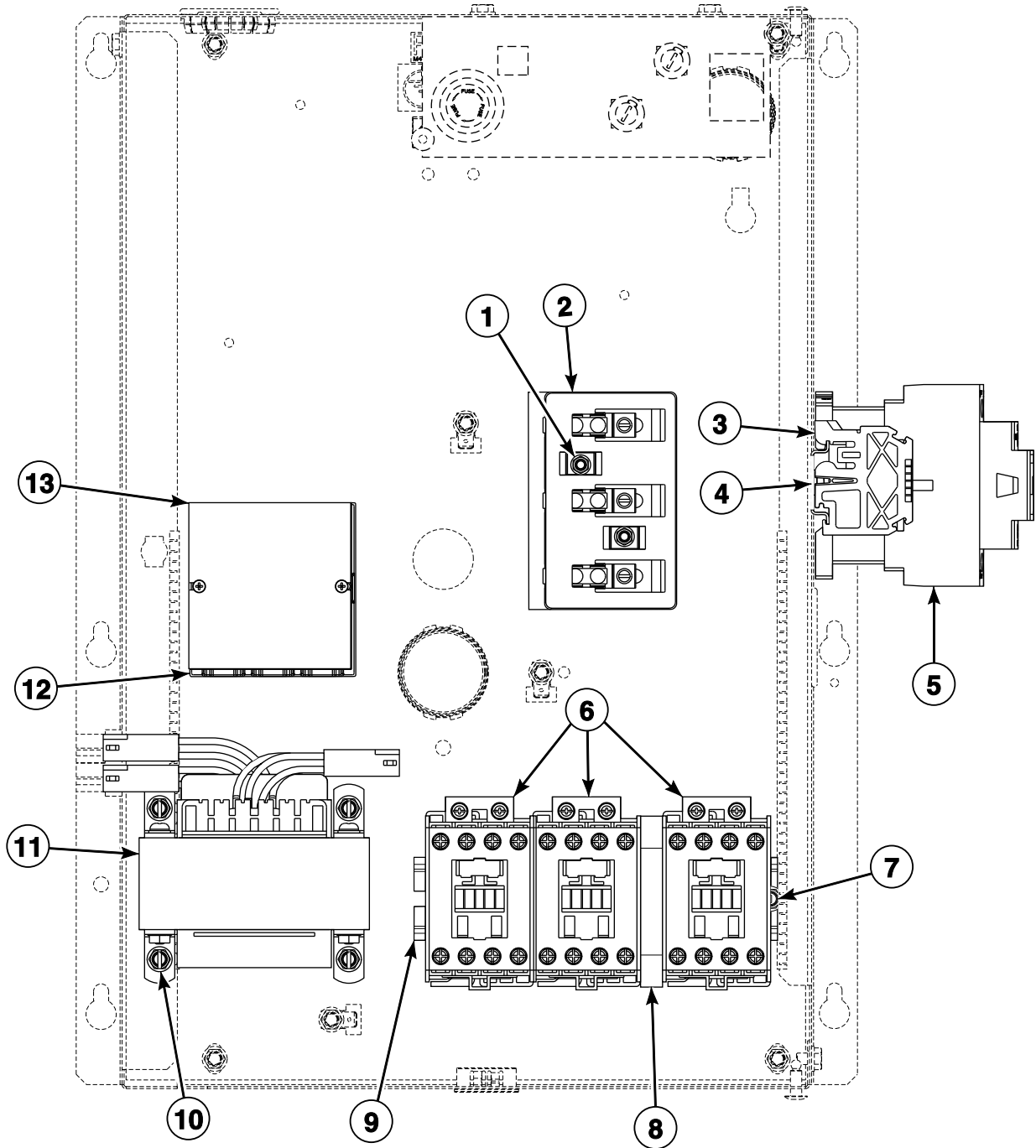


TMB2963P_70421901

Control Tray Harnesses for Electric Models

REF	PART NO.	DESCRIPTION	COMMENTS
1	M413506	Jumper Harness Assembly	208 Volt
	M413507	Jumper Configuration Assembly	240 Volt
	M413508	Jumper Harness Assembly	380 Volt
	M413509	Jumper Harness Assembly	415 Volt
	M413510	Jumper Configuration Assembly	480 Volt
2	44014501	Jumper Wire	6 gauge; 4.5 inches
3	44136701P	Junction Box Harness	
4	70355801P	Electric Contactor Jumper Set Harness	
5	44139901P	Motor Contactor Harness	1 Phase; Reversing
	44142601P	Motor Contactor Harness	3 Phase; Reversing
6	44137001P	Motor Contactor Harness	3 Phase
	44136401	Motor Contactor Harness	1 Phase
7	44139601P	Reversing Contactor Harness	
8	44157401	Reversing Contactor Jumper Wire	1 Phase; Upper
	44139501	Reversing Contactor Jumper	1 Phase; Lower
	44136801	Reversing Contactor Jumper Assembly	Upper
	44136901	Reversing Contactor Jumper Assembly	Lower
9	M413863	Network Capacitor Assembly	
10	44151801P	Heater Cable Set	H1-H3
	44151901P	Heater Cable Set	H4-H6
11	44150701P	Electric Configuration Harness	
12	44150901	Power Harness	3 Phase models with less than 380 Volts
	44151001	Power Harness	3 Phase models with 380 Volts or higher
	44139801P	Power Harness	1 Phase
13	44151101	Cable Set	CB1 Power; CE models
	44151201	Cable Set Assembly	CB2 Power; CE models
	44151301	Cable Set Assembly	CB3 Power; CE models
	44151401	Cable Set Assembly	CB2 to HC2
	44151601	Cable Set	PDB to HC1
	44151701	Cable Set	PDB to HC2
	44155301	Cable Set Assembly	CB3 to HC1
14	44152001	Network Capacitor Harness Assembly	

Control Tray Components for Non-CE Electric Models

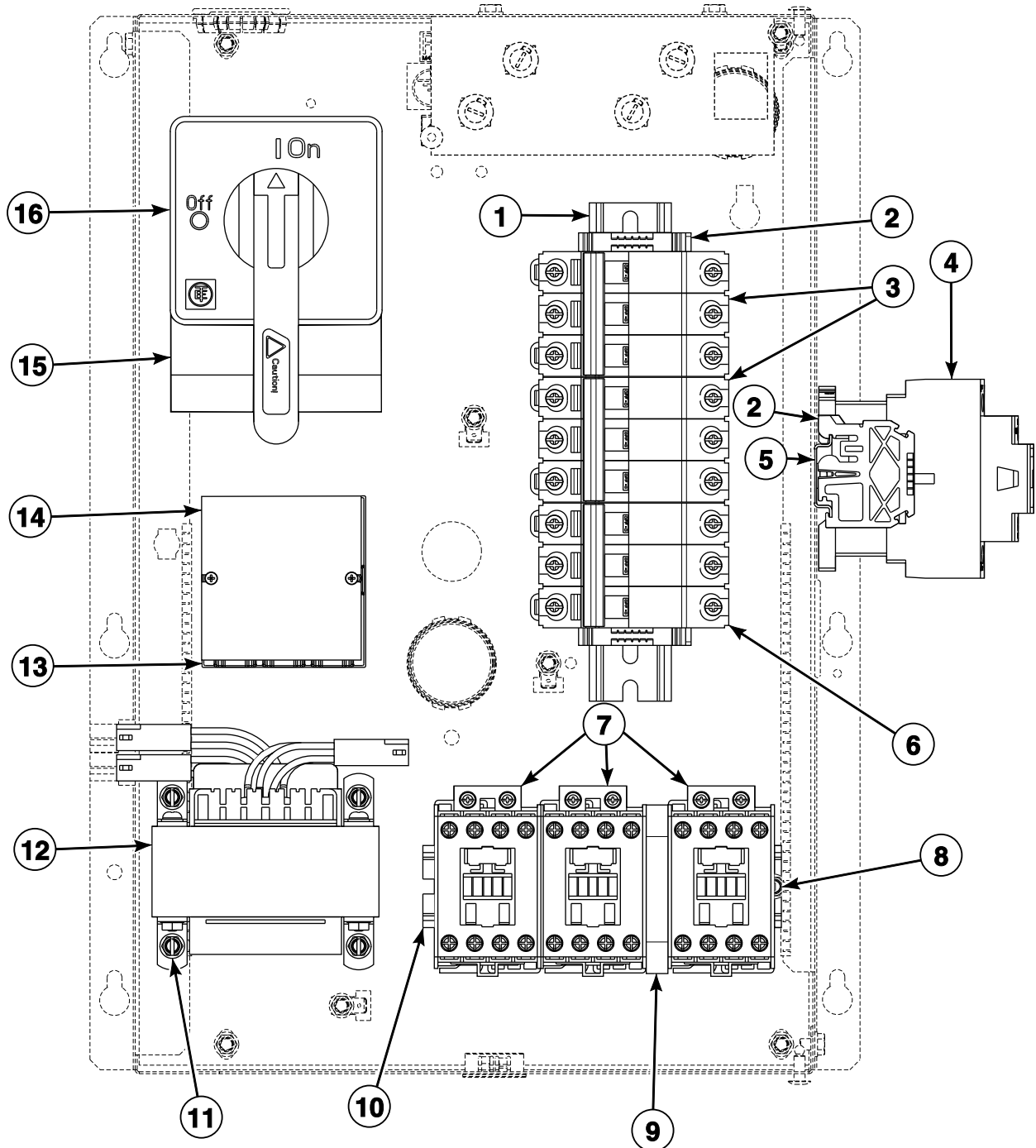


TMB2966P_70421901

Control Tray Components for Non-CE Electric Models

REF	PART NO.	DESCRIPTION	COMMENTS
1	44083001	Screw	240 Volt/50 Hertz/1 Phase; 2 required
2	430642	Terminal Block	240 Volt/50 Hertz/1 Phase; Use 70333001 Terminal Block Shield to protect terminal block
3	70121001	End Stop	2 required
4	M412690	Din Rail	
5	70343301P	Contactor	Models with 380 Volts or higher 1 required; models with less than 380 Volts 2 required
6	70323701P	Contactor	Nonreversing 1 required; reversing 3 required
7	430497	Screw	2 required
8	F330186P	Interlock Contactor	Reversing
9	M412693	Din Rail	
10	M411072	Screw	4 required
11	M414228P	Transformer	Multitap; 100-240 Volt
	M414229P	Transformer	Multitap; 380-480 Volt
	44074401	Transformer	Dual secondary; 440 Volt
12	M413865	Terminal Block	Use 39733 Screw to attach
13	44014901P	Power Distribution Block Cover	Mounts over top of item 12 for protection

Control Tray Components for CE Electric Models



TMB2967P_70421901

Control Tray Components for CE Electric Models

REF	PART NO.	DESCRIPTION	COMMENTS
1	N/A	Din Rail	Use 2 of 430497 Screw to attach
2	70121001	End Stop	3 required
3	M412408P	Circuit Breaker	2 required for 230 Volt/50 Hertz/3 Phase
4	70343301P	Contactator	Models with 380 Volts or higher 1 required; models with less than 380 Volts 2 required
5	M412690	Din Rail	Use 2 of 430497 Screw to attach
6	M412407P	Circuit Breaker	
7	70323701P	Contactator	Nonreversing 1 required; reversing 3 required
8	430497	Screw	2 required
9	F330186P	Interlock Contactator	Reversing
10	M412693	Din Rail	Use 2 of 430497 Screw to attach
11	M411072	Screw	4 required
12	M414228P	Transformer	Multitap; 100-240 Volt
	M414229P	Transformer	Multitap; 380-480 Volt
	44074401	Transformer	Dual secondary; 440 Volt
13	M413865	Terminal Block	Use 39733 Screw to attach
14	44014901P	Power Distribution Block Cover	Mounts over top of item 13 for protection
15	M412367	Finger Guard	Models through 7/31/11
16	70268001	Handle	Models through 7/31/11; 44160801 Extension Handle attaches to operator handle; M412369 Interlock Door mounts under operator handle; Whole assembly mounts to M412186 Mounting Base which is attached with 2 of 33562 Screw

N/A = Part no longer available

Parts Index

A

Adjustable Buzzer 505447	23
Air Filter 44104201	107
Airflow Switch and Arm Bracket 70319601	105
Airflow Switch Arm 70319401	105
Airflow Switch Assembly 44142901	105
Airflow Switch Vane 70319202	105

B

Baffle 44005001P	69
44005301P	69
44065601P	69
Baffle Gasket 70015701	69
Ball Bearing M401375P	87
44041901P	75
Base Harness Assembly 44137501P	63
Bearing F100136P	75
Bearing Retainer M401370	87
Belt M401182P	81, 83, 85
M412090	79
M412981	79, 81
Belt Guard M413008	93
M413541	77
44132603	81, 85
Belt Guard Assembly 44132404	79
44132405	83
44132407	79
Belt Idler Assembly 44209001	81, 85
Belt Tension Tool Kit M4853P3	77, 79, 83
Blower 44127401P	93
Blower Cover M413399	97
Blower Inlet Cone 70014101	67
Bolt M400650	75
M401393	79, 81, 85, 93
Bottom Pan 44000701	69

Bracket 44065901	17
44207501	109
Bumper M400795	111
Burner Assembly M410541P	99
Burner Orifice M400997	101
M400999	101
M401000	101
M401001	101
M401002	101
M401011	101
M401014	101
M401015	101
M401017	101
M401021	101
M401027	101
M402489	101
M402980	101
M402996	101
M403017	101
M406184	101
M406361	101
Burner Support 44110301	99
Bushing H87529111P	97
M412086P	79
M412885P	79
M412917P	79
Bypass Harness 70364103	57

C

Cable Set 44151101	125
44151601	125
44151701	125
Cable Set Assembly 44151201	125
44151301	125
44151401	125
44155301	125
Cam and Hinge Kit M4772P3	71
M4773P3	71
Card Reader and Bracket Assembly 510068P	31
Card Reader Overlay 70334201	31, 33
70334301	31, 33
Circuit Board Support 501523	17
Circuit Breaker M412407P	129
M412408P	129
Clean Lint Compartment Sticker 70114001	65

N/A items do not appear in index.

Clip			Contactor Box Base	
M400974	107		44133701	115
Coin Chute Assembly			Contactor Box Cover	
70296401	69		44134001	115
Coin Cover Overlay			44134002	115
70246301	29, 31		44134003	115
Coin Drop			Contactor Box Side	
38963P	35		44158901	115
39748	35		44159001	115
70256402P	35		Control	
70429001	35		44063801P	17
70441601P	35		Control Assembly	
Coin Drop Assembly			44013601P	27
210195	35		511867P	29, 31
210196	35		512202P	21
38462P	35		513139P	19
38463	35		70434101	51, 53
38464P	35		70437102P	53
38467	35		70437103P	53
38472	35		70437104P	53
38475	35		70437105P	53
38519	35		70454001P	51
38521	35		70454101P	53
39157	35		70462305P	25
44039701P	35		70462306P	25
44039702	35		70462365P	25
44039703	35		Control Box Assembly	
44039704	35		44180101	15
44039705	35		Control Box Base	
44039706	35		44065301	17
44039707	35		Control Box Cover	
70281102	35		44065201	17
70283102	35		Control Box Housing	
70441602	35		44065101	17
70447301	35		Control Box Top	
70471601	35		44065401	17
Coin Drop Kit			Control Chassis Mounting Bracket	
CK077	35		70357901	19, 21
Coin Drop Overlay			Control Conversion Kit	
39564	29		M4797P3	23
Coin Drop Overlay Kit			Control Door Assembly	
70321201	29		70363401	19
Coin Identification Paper			Control Door Latch	
38725	35		431318	69
Coin Vault Assembly			Control Harness	
70180101	69		44100101P	21
Coin Vault Switch Harness			Control Harness Assembly	
70364104P	57		44141601P	17
Coin Vault Trim			Control Housing Cover	
70117501	57		70307001	15
70117502	57		70307002	15, 47
Communication Board			Control Kit	
210095P	49		505905P	39, 41
Communication Connector			512858P	43, 45
210099	49		70228401P	27
Communication Wire Harness Assembly			Control Overlay	
800246	47		44194801	43
Cone Plate			70410001	43
44150201	67		70410002	43
Contact Block Switch			70449501	43
F200233401	55		Control Panel	
Contact Switch			44000117BP	59
F8069501	55		44000117*P	59
Contactor			44000118P	59
70323701P	121, 123, 127, 129		44040001*P	59
70343301P	127, 129			

N/A items do not appear in index.

44040002	59
44040003*	59
44040004	59
44040005*	59
44040006	59
44040007B	59
Control Panel and Door Hinge Kit M4776P3	59, 71
Control Panel Harness	
44240301	51, 53
70315601P	25
70335301P	27
70341901P	23
70342001P	23
70358701	31
70367001P	21
70368001P	39, 41
70369001	19
70382701P	27
70398401	19
70410401P	43, 45
70429101P	29, 31
70429201P	29
Control Panel Harness Assembly	
70315701	25
70341801P	23
Control Plate and Studs Assembly	
70440901	53
Control Plate Assembly	
44040901	23
44041001	23
70175805	27
70348801	31, 33, 41, 45
70360601	21
70419701	39
70432101	51
Control Plate Kit	
44050701P	25
70291001P	29, 31, 39, 43
Control Trim	
44016301	57
44016401	57
Cover Plate	
M401362	93
Cylinder and Trunnion Assembly	
44057501P	73
44057502	73
44057503P	73
44057504	73
44080001	73
44131302	73
44131402	73
44195701	73
44195702	73
44195703	73
44195704	73
44195705	73
44195706	73
44195707	73
Cylinder Assembly	
44079901P	73
44130702	73
44198301	73
44198302	73
44198303	73
Cylinder Kit	
44057201P	73

44057301P	73
Cylinder Motor Harness	
44137101P	77
44139701P	77
Cylinder, Trunnion and Bearing Housing Kit M4818P3	75

D

Deflector Cover	
44162301	67
Din Rail	
M412690	127, 129
M412693	121, 123, 127, 129
Display Assembly	
512218P	21
Door Assembly	
44028902P	71
44028903	71
44029101	71
44058102P	71
44112101	71
70407401	71
Door Glass	
44008401P	71
44008402P	71
Door Glass Installation Tool M4221P4	71
Door Handle	
44007901	71
44057702	71
Door Hinge Assembly	
44075203*	71
44075204	71
44075208B	71
Door Hinge Lug Assembly	
44035001	57, 71
44035002	71
Door Latch	
M401223	57
Door Ring	
44007703B	71
44007704B	71
Door Ring and Handle Assembly 44112001	71
Door Ring Assembly 44007702	71
Door Ring Gasket 44008201P	71
Door Seal Kit 70211902P	71
Door Switch Actuator Kit 70215001P	71
Door Switch Harness 44137601	57
Double V Sheave M412916	79
Drive Rivet M400713	17
Drum Idler Wheel Assembly 430619	85, 89

N/A items do not appear in index.

E

Earth Terminal Sticker M412096	115
Elbow 70079601	99
Electric Accessory Box Cover 44154901	103
Electric Accessory Box Wrap 44154701	103
Electric Configuration Harness 44150701P	125
Electric Contactor Jumper Set Harness 70355801P	125
Electronic Coin Drop Assembly 70294103P	35
70294104	35
70294105P	35
70294106	35
70294107	35
70294109	35
70294111	35
Electronic Coin Drop Harness 44065801	35
Electronic Coin Drop Kit CK099	37
CK100	37
CK101	37
CK103	37
CK106	37
CK108	37
CK109	37
CK113	37
CK115	37
CK502	37
Electronic Control 44037801P	23
Emergency Stop Contact Harness 70364105P	55
Emergency Stop Harness 70364106P	55
Emergency Stop Label M412235	55
44012901	55
Emergency Stop Pushbutton F200233500	55
End Stop 70121001	127, 129
Exhaust Thimble M413173	111
Exhaust Thimble Assembly M412288	111
Expansion Clip 70030501	57, 115
Extension Spring M412120	89

F

Fan and Bushing Assembly M414546	97
-------------------------------------------	----

Fan Motor 44045901P	95
44046001P	95
Fan Motor Harness 44137201P	93
44169901	93, 97
Felt Pad M402144	73
Ferrite Core Assembly M413930P	27
Filter 44172001	107
Finger Guard M412366	121, 123
M412367	129
Fire Suppression System Label 44128901	61
Foam Gasket 70414101	19, 21, 23, 25, 27, 29, 31, 33, 39, 41, 43, 45
Front Panel 44052507W	61
Front Panel Assembly 44077901*P	61
44077902P	61
44077903*	61
44077904P	61
44077905*P	61
44077906P	61
44077907*P	61
44077908	61
Front Pillar 44001201	63
Fuse M413621	117
70406501	27, 117
70406601	117
70406701	117
Fuse Bracket 70306901	117
70313602	117
Fuse Cover 70313301	115
Fuse Holder 44155601	117
Fuse Holder Body 70329401P	117
Fuse Holder Cap 70329501	117
Fuse Label 70337201	115
70337301	115
70337401	115

G

Gas Disconnect Harness 70342101	119
Gas Stove Assembly 44135601	99
Gas Valve M413468P	99
44154501P	99
44154502P	99

N/A items do not appear in index.

44178301P.....	99
44178302P.....	99
44181601P.....	99
44181602.....	99
Gas Valve Bracket	
44175701.....	99
Gas Valve Harness Assembly	
M413650.....	99
Graphic Overlay	
44050401.....	25
44050501.....	25
44050502.....	25
44239401.....	25
44239402.....	25
44240501.....	25
Ground Decal	
F230739.....	115
Ground Lug Connector	
M411283.....	115
Guard Extension	
44222501.....	81, 85
Guide Rail	
M412476.....	79, 81, 83, 85, 89
Guide Rail Spacer	
M413269.....	79, 81
Guide Rail Support	
M413267.....	79, 81
M413268.....	79, 81

H

Handle	
M412208.....	121, 123
70268001.....	129
Handle and Caps Assembly	
70154405.....	65
70154406.....	65
Handle Bar	
70399501B.....	71
Handle Bumper	
70407202.....	65
Harness Assembly	
M412997.....	99, 107
Heater Box Cover	
44153301.....	103
Heater Cable Set	
44151801P.....	125
44151901P.....	125
Heater Element	
M410939P.....	103
M410940P.....	103
M410941P.....	103
Heater Side	
44154801.....	103
High Temperature Lead	
44061603.....	99
Hold-Down Clip	
35865.....	67
Hole Plug	
F8223801.....	115
Hose	
44073301.....	17

Hose Clamp	
36801.....	17
Hose Fitting	
44069101.....	17
Housing and Trunnion Assembly	
M4644P3.....	73
M4645P3.....	73

I

Idler Arm	
44102701.....	85, 89
Idler Housing	
M412612.....	87
Idler Housing Assembly	
44107101.....	81, 85
Idler Housing Kit	
917P3.....	87
943P3P.....	89
Idler Shaft	
M414241.....	87
Idler/Belt Assembly Kit	
942P3P.....	89
Ignition Control	
70367301P.....	121
70367401P.....	121
Ignition Control Harness	
44136601P.....	119
44186701.....	119
44186901.....	119
Insulation	
44020601.....	59
Interlock Contactor	
F330186P.....	121, 123, 127, 129

J

Jumper Bar	
M400866.....	103
Jumper Calibration Wire	
70084304.....	27
70084305.....	27
70324604.....	19, 21, 25, 29, 31, 39, 43, 45
Jumper Configuration Assembly	
M413507.....	119, 125
M413510.....	119, 125
Jumper Harness Assembly	
M413506.....	119, 125
M413508.....	119, 125
M413509.....	125
Jumper Set Assembly	
44042701.....	23
44042801.....	23
Jumper Strip	
M400869.....	103
Jumper Wire	
44014501.....	125
Jumper Wire Assembly	
M412287.....	103
Junction Box Harness	
44136701P.....	119, 125

N/A items do not appear in index.

K

Key	
H8752006H	97
M400008	73, 83
M400993	87, 93
M401327	83, 87, 89
M405232	73
44132301	93
70155601	17, 57
70155602	57
Key and Instruction Kit	
M400994P	93
Kickplate	
70117607	65
70117608	65

L

Label	
70414001	61
Latch Mounting Bracket	
44003201	69
Light	
801431	19
801432	17
Limit Thermostat	
M401404	99
M409433	103
M410220	99
M410542	67
M411813	67
Lint Clip Bracket	
44140201	67
Lint Panel	
44000001*P	65
44000002P	65
Lint Panel Switch Bracket	
44118601	63
Lint Screen	
44063601	67
Lint Screen Deflector	
44162201	67
Loading Spring	
M400401	87
Lock, Key and Nut Kit	
44089301P	17, 57
44089302P	57
Low Pressure Steam Cover	
M400828	107
L.P. Conversion Kit	
M4454P3	99
M4545P3	99
M4609P3	99
L.P. Gas Valve Kit	
M4897P3	99

M

Main Harness	
44137401P	15
44187001	15

N/A items do not appear in index.

Male Tab Terminal	
00177	19, 21, 23, 115
Manifold Pipe	
44040501	99
Manifold Pipe Assembly	
M406681	99
Manual Reset Thermostat	
M411941	67
M411943	99
Membrane Switch	
44037902P	23
44039402P	23
Micro V Belt	
M411425P	83, 85
Micro V Pulley	
M411466P	81, 85, 89
Micro V Sheave	
M412156	81, 83, 85
Mixing Valve	
36958P	17
Moisture Sensor Harness Assembly	
70448901	91
Motor	
44045701P	95
44046201P	95
44046301P	97
44048601P	95
44048801P	95
44242501P	95
Motor Base	
M413391	97
Motor Bracket	
44117201	79, 81, 83, 85, 93
Motor Contactor Harness	
44136401	119, 125
44137001P	119, 125
44139901P	119, 125
44142601P	119, 125
44245301	119
Motor Hardware Kit	
M4426P3	93
Motor Harness	
44245201	93
Motor Kit	
M412519P	77
M412520P	77
Motor Mount Assembly	
M413617	77
Motor Switch	
M414563	77
Mounting Plate	
70208801	31, 33, 41, 45
Mounting Switch Base	
M412187P	121, 123

N

Nameplate	
44010401	59
44010601	59
44046801	59
44062901	59
70243901	59

Nameplate Overlay		44147801	39
44130601	59	44149301	41
44144401	71	70115801	27
44235401	59	70128401	27
70304501	59	70128601	27
70380701	59	70128701	27
70410201	59	70129501	29
70411401	71	70129601	29
Network Board Assembly		70130301	27
201341	47, 49	70130401	27
Network Board Bracket		70130501	27
44143601	49	70130601	27
Network Board Cover		70130701	27
44143701	49	70135301	27
Network Capacitor Assembly		70257701	29
M413863	119, 125	70257702	29
Network Capacitor Harness Assembly		70257703	31, 33
44143401P	119	70258001	29
44152001	125	70258002	29
Network Controller Kit		70258003	31, 33
NK220	43, 45	70259001	29, 31
Network Harness		70261001	29
44141801P	47	70261002	29
Network Retrofit Kit		70261003	31
NK208	43, 45	70261201	29
Network Wire Harness Assembly		70261202	29
44088501P	47	70266701	31
Nut		70266801	31
F430232	115	70275401	29
H88412101	79, 81, 83, 85, 89	70286701	29
M400022	93	70321001	29
M400026	75, 79, 81, 83, 85	70362201	21
M400034	93	70362202	21
M400035	81, 83, 85, 91	70362401	21
M400977	57	70362402	21
M401548	99	70362501	21
M404993	73	70362502	21
M412986	77	70362901	19
M414215	71	70363001	19
02428	77, 79, 81, 85, 93, 97	70410003	45
20274	79, 81, 85, 93, 97	70432201	51
21899	69	70445001	53
23951	65, 71	70445002	53
24205	19, 21	70445003	53
29786	19, 25, 29, 43	70445004	53
29787	23, 25	70453001	29
44071201	71	70453002	29
44087201	85, 89	70453101	31, 33
51236	65	70462401	53
56156	85, 89	70462402	53
70030401	69	70462701	53
70054	19, 21, 23, 27, 31, 33, 39, 51, 53, 103	70462702	53
70142	77	70462901	53
		70462902	53
		70472201	53
		70472202	53
		70472401	53
		70472402	53
<hr/>			
O		P	
Opto Coupler		Panel Locator	
200674P	35	56079	57, 65
Output Harness		PC Board Standoff	
44186101	51, 53	210098	49
Overlay		Pipe Bracket	
44130001	27	44175801	115
44130002	27		
44144301	39		
44144302	39		

N/A items do not appear in index.

Pipe Clamp	
44155201	99
Pipe Nipple	
431486	99
70210201	99
70263801	99
Pipe Tee	
44231901	99
Plug	
M400985	115
Pop Rivet	
M400003	57, 69
70058501	71, 115
70058502	115
70126301	65, 71
70126401	65
Porcelain Touch-Up Paint	
122P4P	69
370P4P	69
Power Distribution Block Cover	
44014901P	127, 129
Power Harness	
44136201P	119
44136301P	119
44139801P	119, 125
44150901	125
44151001	125
Pressure Fitting	
44231601	99
Proximity Bracket	
44044501	109
Pulley	
M412884	79
M414564	93
M414565	77
M414566	93
M414567	77
44233601	77
Pushbutton Switch	
M413431	121
70107001	29, 31, 33, 39, 41, 43, 45, 57
Push-to-Start Switch	
801434W	17

R

Rear Access Plate	
44135201	99
Rear Panel Assembly	
44171201	69, 105, 113
44171301	69, 105, 113
Reducer	
M413453	99
Relay	
M412534	27
Relay/Buzzer Bracket	
44041701	23
Resilient Ring Kit	
M4525P3P	93
Reversing Contactor Harness	
44139601P	119, 125
Reversing Contactor Jumper	
44139501	119, 125

Reversing Contactor Jumper Assembly	
44136801	119, 125
44136901	119, 125
Reversing Contactor Jumper Wire	
44157401	119, 125
Rib Rod	
M404992	73
Rib Wire	
44208601	73
Ring	
M400399	83, 89
Rocker Switch	
44099601	21
70455101	19, 21
70461301	21
Roller Bracket Assembly	
70404001	65
Roller Catch Arm	
70030301	65
Roller Catch Spacer	
70030201	65
Roller Catch Wheel	
70297601	65
Rotation Sensor	
44199701	109
70274001P	109
Rotation Sensor Assembly	
70417401P	109
Rotation Sensor Cable Assembly	
70274102P	109
Rotation Sensor Harness	
F8066401	109

S

Screw	
F430909	115
F8206901	115
H8800901H	97
M400043	79, 81, 83, 85, 89
M400044	71
M400056	77, 85, 89
M400057	77, 79, 81, 85, 93, 97
M400061	79, 81, 83, 85
M400063	75
M400065	83, 89
M400077	81, 85, 89, 93
M400661	71
M402797	99
M405188	107, 111
M405525	79, 81
M410059	93
M411072	57, 111, 121, 123, 127, 129
M412627	79, 81, 83, 85, 89
M413565	77
22688	97
33562	103, 107
38272	121
430497	17, 47, 63, 67, 93, 103, 105, 107, 121, 123, 127, 129
430648	85, 89
430757	65, 105
431287	69
44083001	121, 123, 127
501524	19, 21, 29, 31, 33, 39, 41, 43, 45, 51, 53

N/A items do not appear in index.

51780	17
56693	99
61199	71
70033502	57, 71
70069901	19, 21, 27, 51
70072801	65
70132301	65
70182601	57
70187201	75, 87
70240301	99, 103
70247701	69
70275801	57
70407301	71
70442101	71
Sensor Harness Assembly	
44141701P	17
Shadow Box Clip	
M400972	57
Shaft Wire	
44208701	73
Sheave	
M400092P	83, 89
44086901	81, 85
Side Panel and Bracket Assembly	
44056702*P	69
44056802*	69
Single V Sheave	
M412931	79
Sleeve	
44050601	25
Slip Ring Assembly	
44240201	91
Slip Ring Holder	
44224401	91
Slot Card Plate Assembly	
44089501	33, 45
Snap Bushing	
M400770	47, 63
M405340	115
M411826	63
44071501	115
70178701	17, 115
Solenoid Valve DIN Connector	
70370301P	107
Spacer	
M401402	73
44024001	79, 81, 85
Spark Igniter	
M406934P	99
Spray Paint	
298P4P	69
Spud Holder Assembly	
M406810	99
Steam Coil	
M400637P	107
Steam Configuration Harness	
44142801	119
Steam Heater Assembly	
44020401P	107
Steam Pressure Label	
902303	107
Steam Solenoid	
70351011P	107
70351012	107

Steam Stand Box	
44007501	107
Steam Stove Limit Bypass Harness	
70389901	119
Steam Valve	
F8322902	107
F8322903	107
70351001P	107
Steam Valve Rebuild Kit	
70351021P	107
Switch	
70411901	105
Switch Assembly	
70310501	63
Switch Bracket	
70356301	99, 103, 105
Switch Hole Plug	
44057801B	57
44057801Q	57
44057801W	57
Switch Plate	
M413236	21

T

Temperature Control Bracket	
44018601	27
Temperature Knob	
44104601	19, 21
Temperature Selector Bracket	
70350201	19
Temperature Selector Switch	
511711	19, 21
Temperature Selector Switch Bracket	
70391701	21
Tension Plate Assembly	
M414405	79, 81, 83, 85, 89
Terminal Block	
M413865	127, 129
430642	121, 123, 127
Thermistor	
M414704	67
44064701	17
Thimble Vane Assembly	
M400503	111
M413382	111
Top Cover	
M414760	107
44138801	69
Top Cover Pan	
44129301P	69
Top Panel Bracket	
44129401	69
Top Rear Panel	
44170501	69
44176201	69
Transformer	
M414228P	121, 123, 127, 129
M414229P	121, 123, 127, 129
M414230P	121, 123
M414312P	121, 123
44074401	121, 123, 127, 129

N/A items do not appear in index.

Trunnion and Bearing Assembly	
M4640P3.....	73
M4641P3.....	73
Trunnion Assembly	
M413836.....	73
44207901.....	73
44208001.....	73
Trunnion Housing	
M413826.....	75
Trunnion Housing Assembly	
M413832.....	75
Trunnion Kit	
M413835P.....	73
Tumbler Dolly Kit	
M4379P4.....	57

V

Valve Rebuild Kit	
F8379502.....	107
Valve Replacement Kit	
M4908P3.....	99
M4909P3.....	99

W

Warning Label	
M410892.....	61
Washer	
M400013.....	77, 79, 81, 85, 93, 97
M400014.....	79, 81, 83, 85, 93, 97
M400080.....	77, 79, 81, 83, 85, 89, 93, 97
M400991.....	93
M403958.....	79, 81, 83, 85, 89
M412188.....	79, 81, 83, 85, 89
02834.....	77
20103.....	75
70261401.....	75
70265901.....	85, 89
70270301.....	85, 89
70409301.....	71
91200.....	73, 75
Water Hose	
F200116.....	17
Wire Guard	
201595P.....	35
Wire Label	
70218701.....	115
70218801.....	115
70219001.....	115
