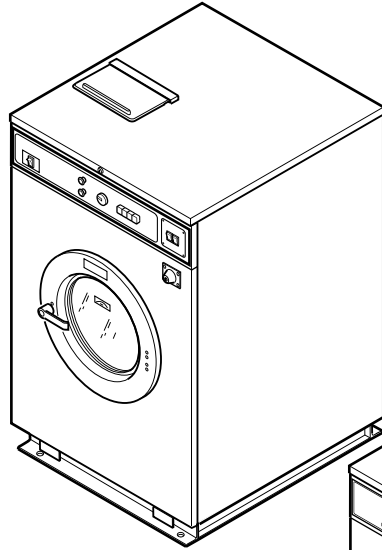


Washer-Extractor

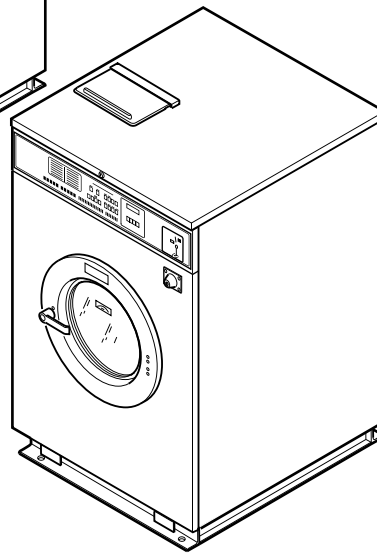
Cabinet Hardmount

3 Speed P or S Computer or Mechanical Timer Models

Refer to Page 5 for Model Numbers



Mechanical Timer Models



P, S or V Computer Models

CHM1766C_F232174

Table of Contents

Title	Page
Parts Ordering Information.....	3
Nameplate Location	3
Model Identification	5
Decals	6
Control Module - MC, MD, MH, MN, MV and MX Models (Drawing 1 of 2)	8
Control Module - MC, MD, MH, MN, MV and MX Models (Drawing 2 of 2)	10
Graphic Panel and Controls - MC, MD, MH, MN, MV and MX Models	12
Control Module - PC, PN and SN Models	14
PC, PN and SN Control Panel Decals and Controls	16
Display Coin Meter Assembly - MC, MD and MX Models; Single Drop (Drawing 1 of 4)	18
Display Coin Meter Assembly - MC, MD and MX Models; Single Drop (Drawing 2 of 4)	20
Display Coin Meter Assembly - MC, MD and MX Models; Single Drop (Drawing 3 of 4)	22
Display Coin Meter Assembly - MC, MD and MX Models; Single Drop (Drawing 4 of 4)	24
Display Coin Meter Assembly - MC, MD and MX Models; Dual Drop (Drawing 1 of 2)	26
Display Coin Meter Assembly - MC, MD and MX Models; Dual Drop (Drawing 2 of 2)	28
W2000 Coin Meter Assembly - MC, MD and MX Models; Single Drop	30
W2000 Coin Meter Assembly - MC, MD and MX Models; Dual Drop	32
W2000 Coin Meter Assembly - PC Models.....	34
Coin Box (Optional).....	36
Vertical Eight Coin Meter Adapter Kit - MC, MD and MX Models Through 2/29/92.....	38
Vertical Eight Coin Meter Adapter Kit - MC, MD and MX Models Starting 3/1/92.....	40
Door Lock - Coin Models (Drawing 1 of 2)	42
Door Lock - Coin Models (Drawing 2 of 2)	44
Door Lock - MN Models	46
Door Lock - PN and SN Models	48
Door	50
Outer Front Panel	52
Panels (Drawing 1 of 2)	54
Panels (Drawing 2 of 2)	56
Basket, Shell, Frame and Trunnion (Drawing 1 of 2)	58
Basket, Shell, Frame and Trunnion (Drawing 2 of 2)	60
Dispenser.....	62
Supply Dispenser Assembly	64
3-Way Mixing Valve	66
Automatic Supply Dispenser - PN and SN Models	68
Power Panel Assembly	70
Drain Valve Assembly - SC18, SC35, UC18 and UC35 Models.....	72
Drain Valve Assembly - SC50 and UC50 Models.....	74
Drain Assembly, Hoses and Air Trap - SC50 and UC50 Models With Heat Shell	76
Drain Assembly, Hoses and Air Trap - All Models Except SC50 and UC50 Models With Heat Shell.....	78
Filter (Optional) and Water Supply Hose	80

© Copyright 2007, Alliance Laundry Systems LLC

All rights reserved. No part of the contents of this book may be reproduced or transmitted in any form or by any means without the expressed written consent of the publisher.

Motor, Pulley and Belt - SC18 and UC18 Models	82
Motor, Pulley and Belt - SC35 and UC35 Models	84
Motor, Pulley and Belt - SC50 and UC50 Models	86
Steam Heat Option	88
Electric Heat Option	90
Special Tools	92
Parts Index	95

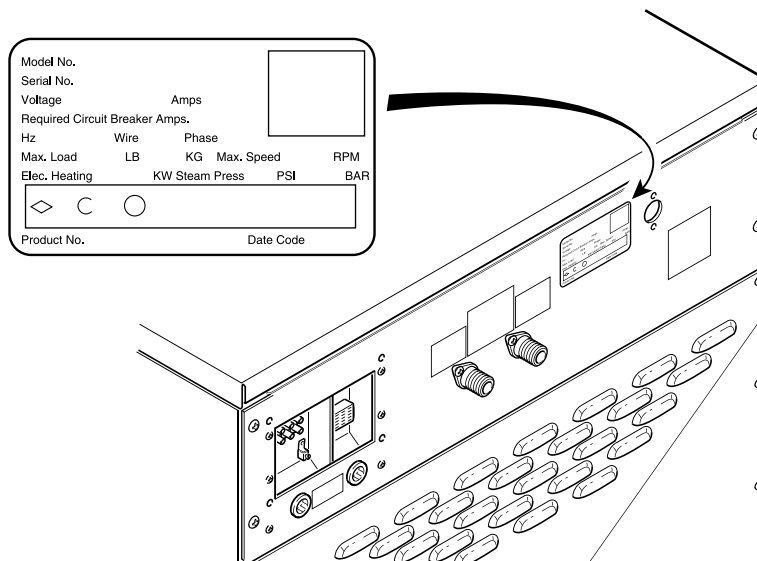
Parts Ordering Information

If literature or replacement parts are required, contact the source from whom the machine was purchased or contact Alliance Laundry Systems at (920) 748-3950 for the name and address of the nearest authorized parts distributor.

For technical assistance, call (920) 748-3121.

Nameplate Location

When calling or writing about your product, be sure to mention model and serial numbers. Model and serial numbers are located on nameplate(s) as shown.



CHM2454P_F232174

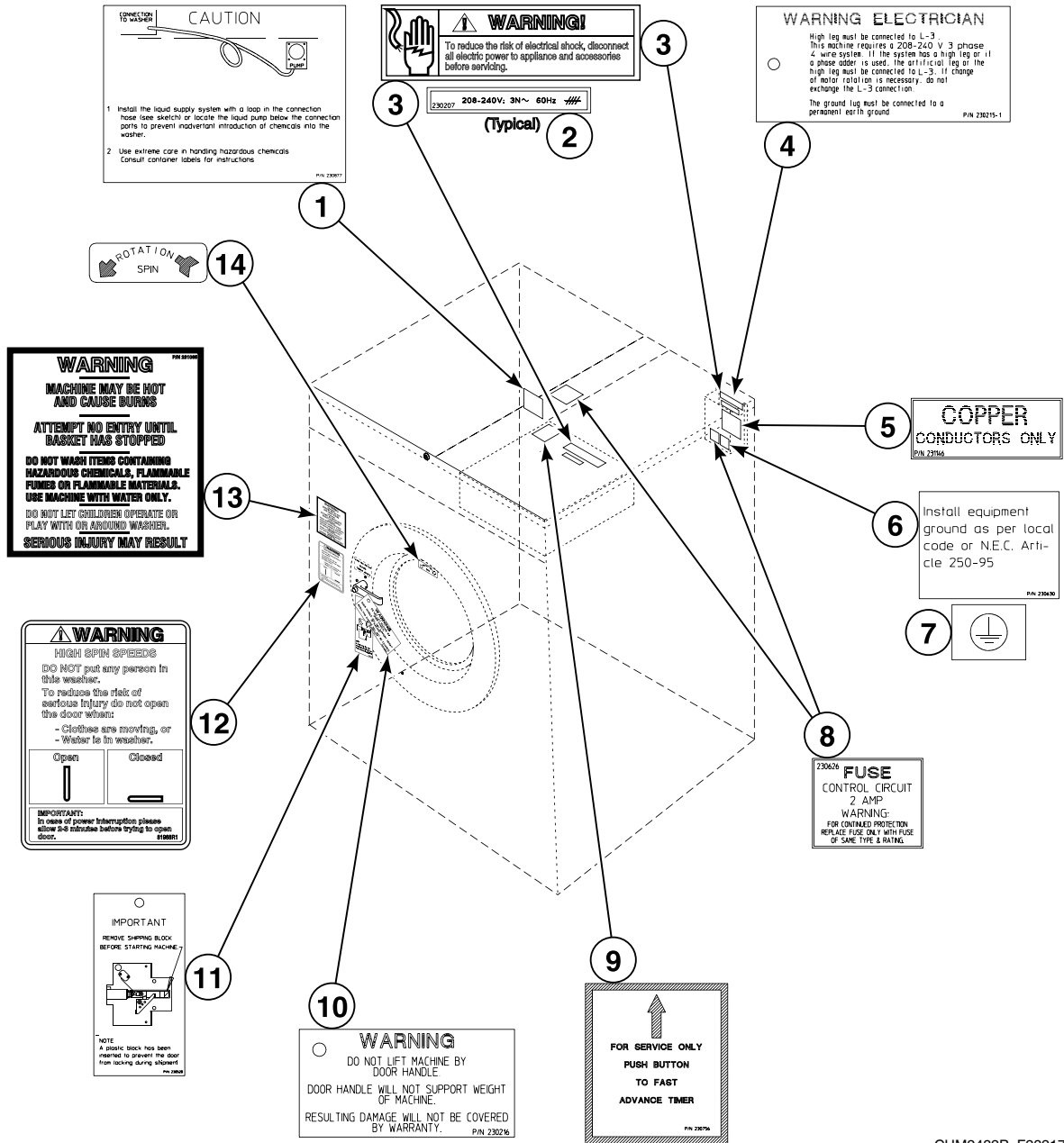
Model Identification

Information in this manual is applicable to these washer-extractor models:

SC18MC3	SC50MC3	UC35MC3
SC18MD3	SC50MD3	UC35MD3
SC18MH3	SC50MH3	UC35MH3
SC18MN3	SC50MN3	UC35MN3
SC18MV3	SC50MV3	UC35MV3
SC18MX3	SC50MX3	UC35MX3
SC18PC3	SC50PC3	UC35PC3
SC18SN3	SC50SN3	UC35PN3
SC35MC3	UC18MC3	UC50MC3
SC35MD3	UC18MD3	UC50MD3
SC35MH3	UC18MH3	UC50MH3
SC35MN3	UC18MN3	UC50MN3
SC35MV3	UC18MV3	UC50MV3
SC35MX3	UC18MX3	UC50MX3
SC35PC3	UC18PC3	UC50PC3
SC35SN3	UC18PN3	UC50PN3

NOTE: This manual applies to models of design 1-2 only

Decals



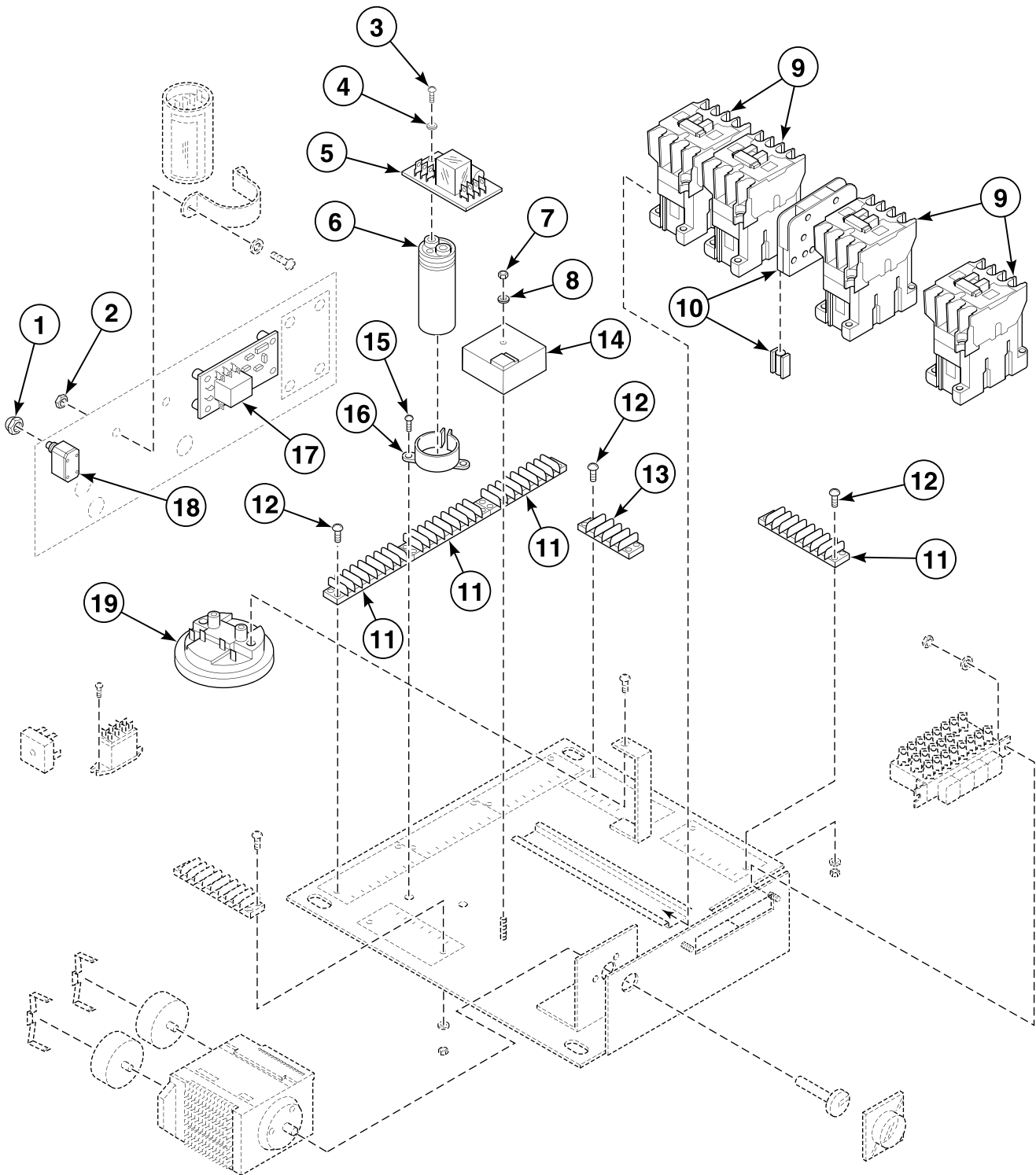
CHM2432P_F232174

Decals

REF	PART NO.	DESCRIPTION	COMMENTS
1	F230877	Liquid Supply Decal	MN, PN and SN models
2	N/A	Decal	
3	505281	Disconnect Power Warning Label	
4	N/A	Voltage Warning Decal	
5	F231146	Conductor Decal	
6	F230630	Ground Decal	
7	F230739	Ground Decal	
8	N/A	Fuse Decal	
9	F230756	Manual Fast Advance Decal	MC, MD, MH, MV and MX models
10	F230216	Do Not Lift Decal	
11	F230528	Remove Door Lock Tag	MN, PN and SN models
12	81968	Door Warning Label	
13	F231065	Personal Injury Warning Decal	
14	F230693	Counterclockwise Spin Rotation Decal	

N/A = Part no longer available

Control Module - MC, MD, MH, MN, MV and MX Models (Drawing 1 of 2)

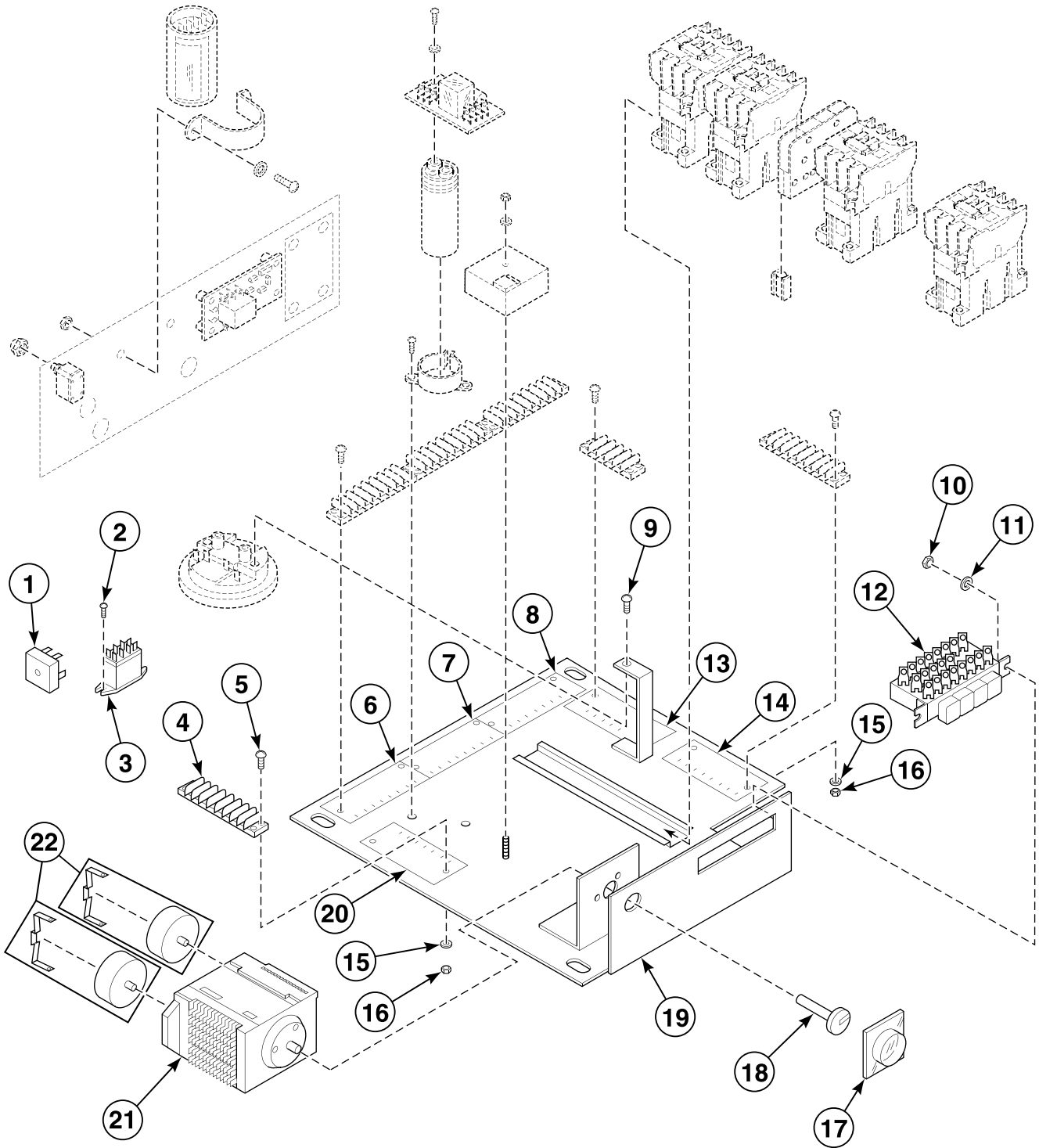


CHM2433P_F232174

Control Module - MC, MD, MH, MN, MV and MX Models (Drawing 1 of 2)

REF	PART NO.	DESCRIPTION	COMMENTS
1	F340409	Pushbutton Boot	
2	F430231	Nut	
3	F430904	Screw	
4	F431108	Washer	
5	F370430-1P	Door Lock CCA	120 Volt
	F370430-3P	Door Lock CCA	220 Volt
6	F370225P	Capacitor	
7	F430211	Nut	
8	F431100	Washer	
9	F330175P	Contactora	120 Volt
	F330177P	Contactora	220 Volt
10	F330152P	Interlock	
11	F140738	Terminal Strip	
12	F430916	Screw	
13	F140738	Terminal Strip	
14	F200025200P	Door Lock Time Delay	
15	F430917	Screw	
16	F140612P	Capacitor Mounting Clamp	
17	F370437P	Relay CCA	15 second delay; 120 Volt
	F370438P	Relay CCA	15 second delay; 220 Volt
	F370435	Relay CCA	45 second delay; 120 Volt
	F370436	Relay CCA	45 second delay; 220 Volt
18	F340403	Switch	
19	F0340343-00P	Water Level Switch	SC18, SC35, UC18 and UC35 models
	F0340345-00P	Water Level Switch	SC35, SC50, UC35 and UC50 models

Control Module - MC, MD, MH, MN, MV and MX Models (Drawing 2 of 2)



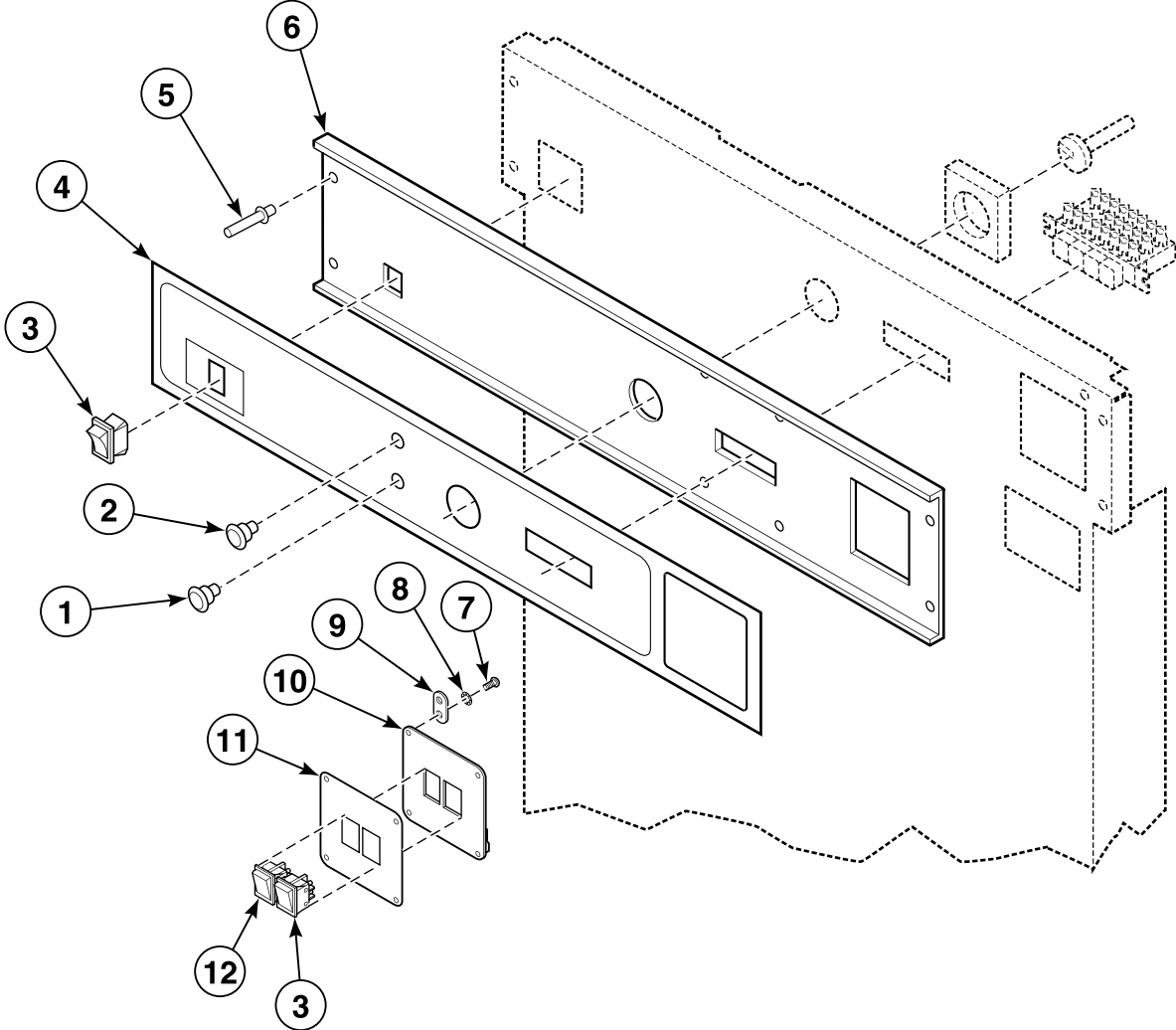
CHM2576P_F232174

Control Module - MC, MD, MH, MN, MV and MX Models (Drawing 2 of 2)

REF	PART NO.	DESCRIPTION	COMMENTS
1	F370310	Bridge Rectifier	
2	F430917	Screw	
3	F330227	Flange Relay	120 Volt
	F330230	Flange Relay	220 Volt
4	F140738	Terminal Strip	8 place
5	F430916	Screw	
6	F140913	Terminal Strip Insulator Decal	9-16
7	F140914	Terminal Strip Insulator Decal	17-24
8	F140915	Terminal Strip Insulator Decal	25-32
9	F430928	Screw	
10	F430231	Nut	
11	F431123	Washer	
12	F340413	Cycle Selector Switch	
13	F140927	Terminal Strip Insulator Decal	41-48
14	F140916	Terminal Strip Insulator Decal	33-40
15	F431113	Washer	
16	F431022	Nut	
17	F150310	Timer Glass	
18	F730525	Cycle Timer Indicator Kit	
19	N/A	Electrical Panel Sub-Assembly	MN models
	F607358	Electrical Panel Sub-Assembly	All other models
20	F140912	Terminal Strip Insulator Decal	1-8
21	F160301P	Cycle Timer	120 Volt
	F160304P	Cycle Timer	220 Volt
22	F160537	Motor	120 Volt
	N/A	Motor	220 Volt

N/A = Part no longer available

Graphic Panel and Controls - MC, MD, MH, MN, MV and MX Models



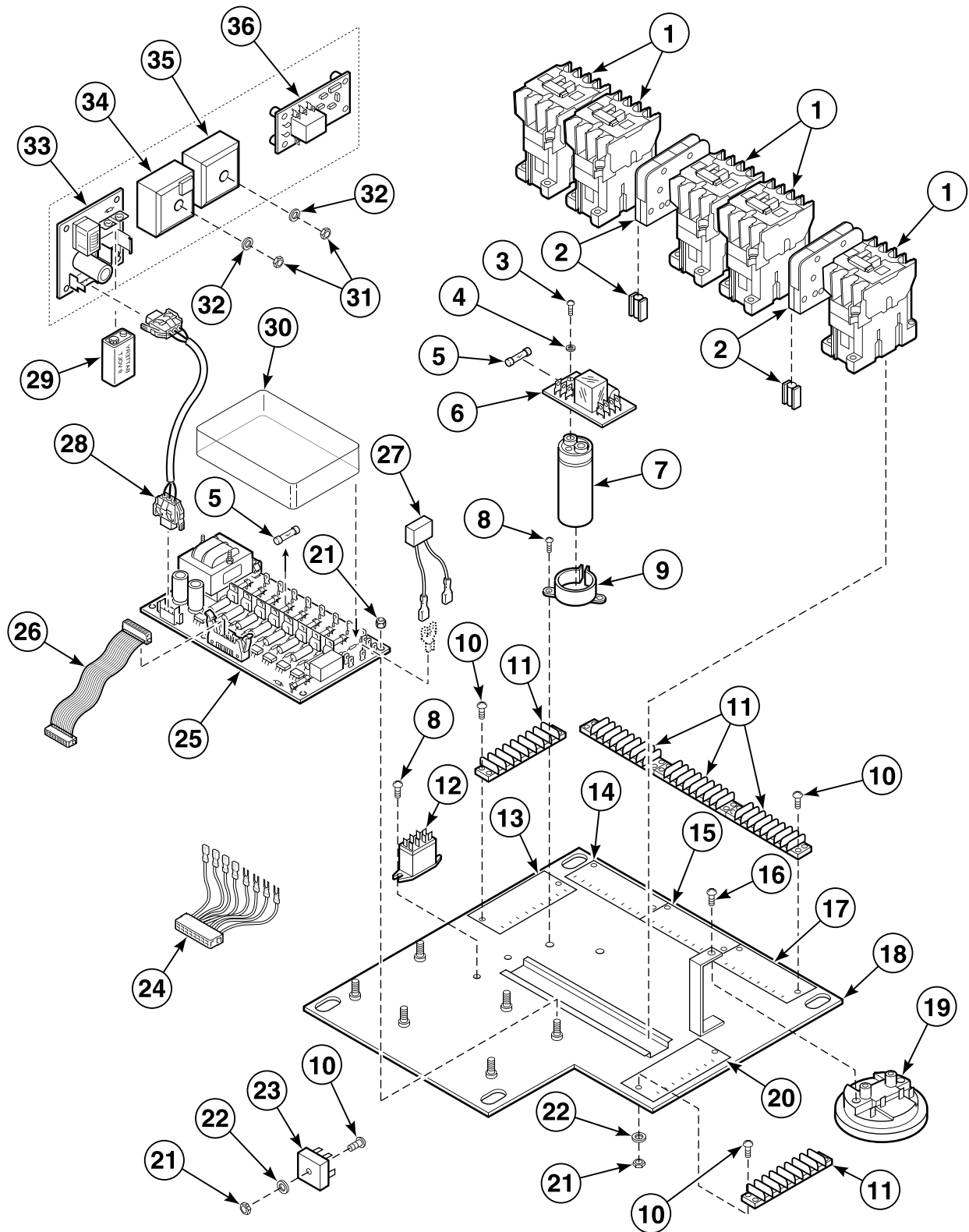
CHM2264P_F232174

Graphic Panel and Controls - MC, MD, MH, MN, MV and MX Models

REF	PART NO.	DESCRIPTION	COMMENTS
	F798703	Bleach Light Kit	120 Volt; For machines made prior to 6/99; Includes F350430 Light and terminals
	F798705	Mechanical Timer Harness Kit	120 Volt; For machines made prior to 6/99; Includes F350430 Light and main harness
	F798704	Bleach Light Kit	220 Volt; For machines made prior to 6/99; Includes F350431 Light and terminals
	F730016P	Start/Stop Kit	Includes items 3, 12, plate cover and wire
1	F350420	Light	Green; 120 Volt
	F350422	Light	Green; 220 Volt
	F350412	Light	Red; 120 Volt
	F350404	Signal Light	Red; 220 Volt
2	F350430	Light	Clear; 120 Volt
	F350431	Light	Clear; 220 Volt
	F350411	Light	Amber; 120 Volt
	F350413	Light	Amber; 220 Volt
3	F340412	Momentary Switch	OPL models
4	F231476	Control Panel Decal	SC18 coin models
	F231478	Control Panel Decal	SC35 coin models
	F200017941	Control Panel Decal	SC50 coin models
	F231472	Control Panel Decal	Model SC18MN3
	N/A	Control Panel Decal	Model SC35MN3
	F231475	Control Panel Decal	Model SC50MN3
	F230843	Control Panel Decal	UC18 coin models
	F230845	Control Panel Decal	UC35 coin models
	F230846	Control Panel Decal	UC50 coin models
	F0231617-00	Control Panel Decal	Model UC18MN3
	F231487	Control Panel Decal	Model UC35MN3
	F200020941	Control Panel Decal	Model UC50MN3
5	F431210	Pop Rivet	
6	F150313	Extrusion Panel	SC18 and UC18 models
	F150322	Extrusion Panel	SC35 and UC35 models
	F150323	Extrusion Panel	SC50 and UC50 models
7	F430173	Screw	OPL models
8	F431106	Washer	OPL models
9	F601515	Clip	OPL models
10	F633092-1	Switch Plate Sub-Assembly	OPL models
11	F230918-2	Switch Panel Decal	Models SC18MN3, SC35MN3 and SC50MN3
	F230918	Switch Panel Assembly Decal	Models UC18MN3, UC35MN3 and UC50MN3
12	F340411	Rocker Switch	Red; OPL models

N/A = Part no longer available

Control Module - PC, PN and SN Models

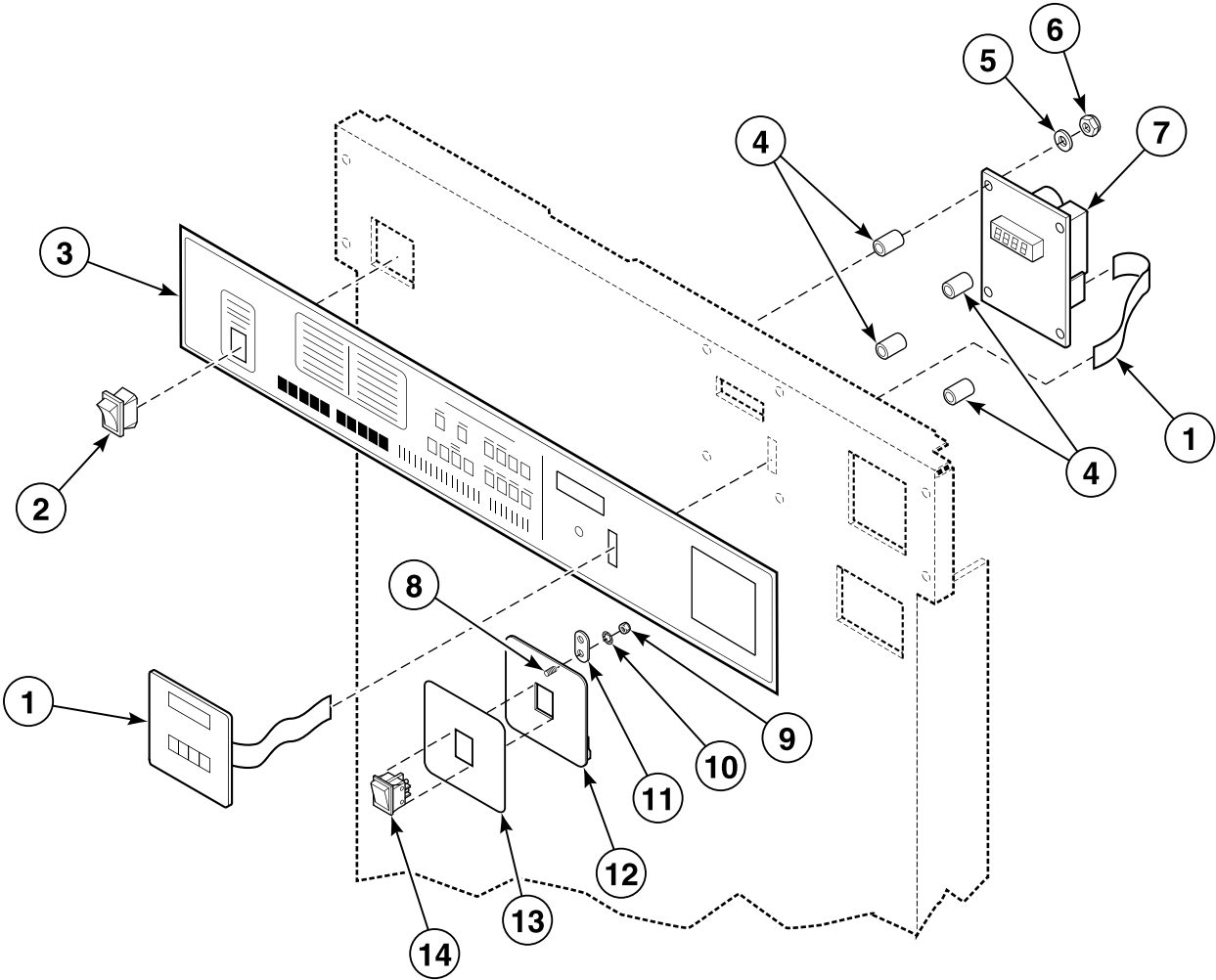


CHM2233P_F232174

Control Module - PC, PN and SN Models

REF	PART NO.	DESCRIPTION	COMMENTS
1	F330175P	Contactora	120 Volt
	F330177P	Contactora	220 Volt
2	F330186P	Interlock Contactora	
3	F430904	Screw	PC models
4	F431108	Washer	PC models
5	F350110	Fuse	1 Amp; Slo blo
	F350108	Fuse	1/8 Amp; Slo blo
	F350109	Fuse	1/2 Amp; Fast blo
6	F370426-1P	Door Lock Relay CCA	120 Volt; PC models
	F370426-2P	Door Lock Relay CCA	220 Volt; PC models
7	F370225P	Capacitor	PC models
8	F430917	Screw	PC models
9	F140612P	Capacitor Mounting Clamp	PC models
10	F430916	Screw	
11	F140738	Terminal Strip	
12	F330227	Flange Relay	120 Volt
	F330230	Flange Relay	220 Volt
13	F140912	Terminal Strip Insulator Decal	
14	F140913	Terminal Strip Insulator Decal	
15	F140914	Terminal Strip Insulator Decal	
16	F430928	Screw	
17	F140915	Terminal Strip Insulator Decal	
18	F0606950-02	Electrical Panel Sub-Assembly	
19	F0340343-10P	Water Level Switch	SC18 and UC18 models
	F0340345-10P	Water Level Switch	SC35, SC50, UC35 and UC50 models
20	F140916	Terminal Strip Insulator Decal	
21	F431022	Nut	
22	F431113	Washer	
23	F370310	Bridge Rectifier	Used on 120 Volt control models; PN and SN models
24	F141871P	Input Harness Kit	
25	F370449P	Output Board CCA	120 Volt
	F370450P	Output Board CCA	220 Volt
26	F140216P	Ribbon Cable	16 Pin
27	F330217P	RC Network Filter	Includes F140627 Connector and F141022 Connector
28	F140249	Battery Backup Wire Harness	3 pin
29	F191101	Battery	
30	F140423	Cover	
31	F430211	Nut	
32	F431100	Washer	
33	F370529P	Battery Adapter Board	
34	F200025200P	Door Lock Time Delay	PC models
35	F330203	Relay	120 Volt; 30 second delay
	F330206	Relay	220 Volt; 30 second delay
36	F370437P	Relay CCA	120 Volt
	F370438P	Relay CCA	220 Volt

PC, PN and SN Control Panel Decals and Controls



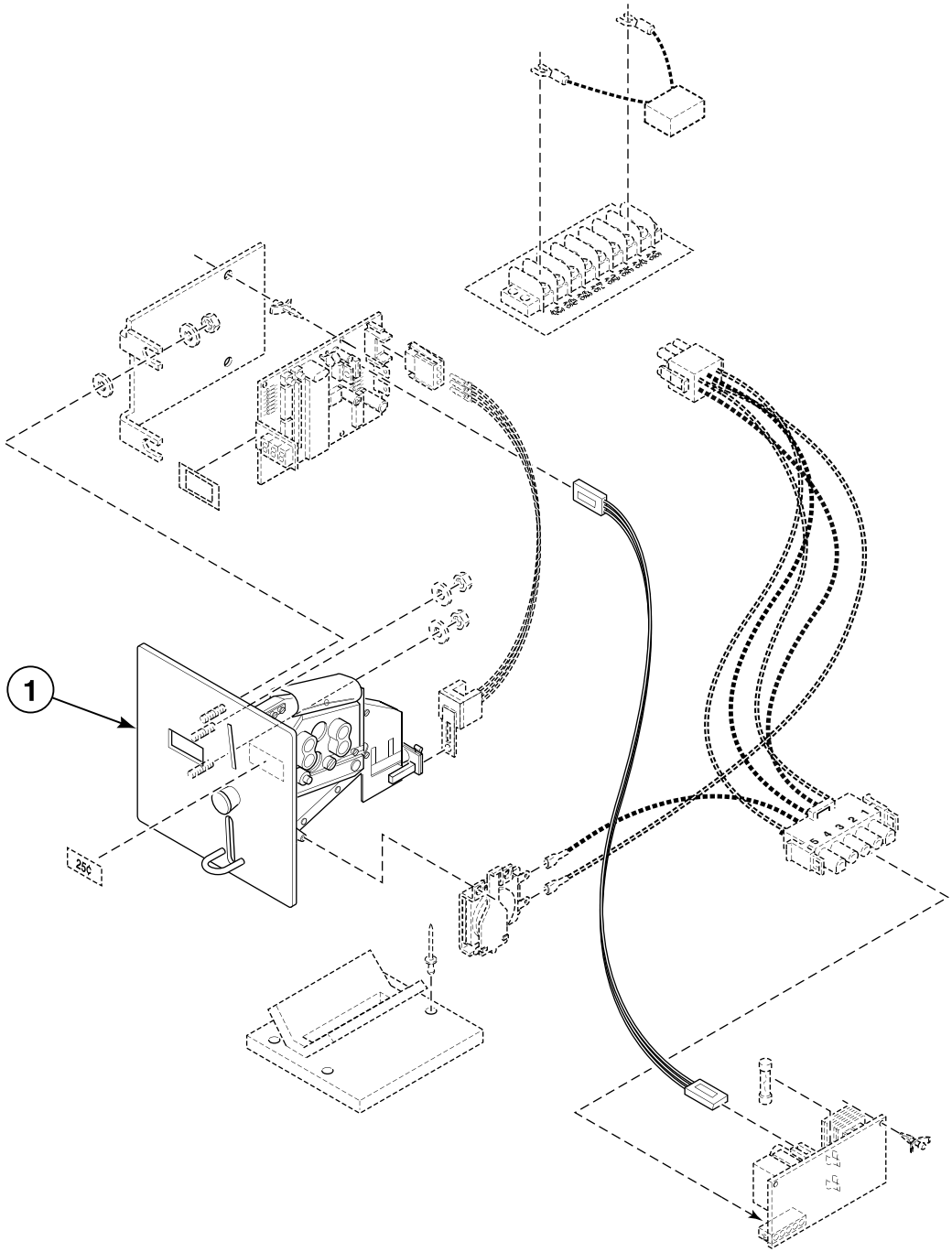
CHM1759P_F232174

PC, PN and SN Control Panel Decals and Controls

REF	PART NO.	DESCRIPTION	COMMENTS
1	F370576P	Keypad	Models UC18PN3, UC35PN3 and UC50PN3
	F340608P	Membrane Switch	Models SC18SN3, SC35SN3 and SC50SN3
	F340605P	Membrane Switch	Models SC18PC3, SC35PC3, SC50PC3, UC18PC3, UC35PC3 and UC50PC3
2	F340411	Rocker Switch	Models SC18SN3, SC35SN3, SC50SN3, UC18PN3, UC35PN3 and UC50PN3
3	F0231618-00	Control Panel Decal	Models UC18PC3 and UC18PN3
	F231496	Control Panel Decal	Model UC35PN3
	N/A	Control Panel Decal	Model UC50PN3
	F231467	Control Panel Decal	Model SC18SN3
	F231469	Control Panel Decal	Model SC35SN3
	N/A	Control Panel Decal	Model SC50SN3
	N/A	Control Panel Decal	Model UC35PC3
	F231232	Control Panel Decal	Model UC50PC3
	N/A	Control Panel Decal	Model SC18PC3
	N/A	Control Panel Decal	Model SC35PC3
	N/A	Control Panel Decal	Model SC50PC3
4	F401206	Spacer	
5	F431113	Washer	
6	F431022	Nut	
7	F370555-01P	Computer	Models SC18SN3, SC35SN3, SC50SN3, UC18PN3, UC35PN3 and UC50PN3
	F370555-11P	Board	Models SC18SN3, SC35SN3, SC50SN3, UC18PN3, UC35PN3 and UC50PN3; Armstrong
	F370313P	Microcomputer Board	Models SC18PC3, SC35PC3, SC50PC3, UC18PC3, UC35PC3 and UC50PC3 through 7/4/99
	F370313-40P	Microcomputer	Models SC18PC3, SC35PC3, SC50PC3, UC18PC3, UC35PC3 and UC50PC3 starting 7/5/99
	F370518-10P	Computer	Models SC18PC3, SC35PC3, SC50PC3, UC18PC3, UC35PC3 and UC50PC3; 4 cycle; Standard models
F370518-00P	Computer	Models SC18PC3, SC35PC3, SC50PC3, UC18PC3, UC35PC3 and UC50PC3; 4 cycle; Models with heat	
8	F430173	Screw	Models SC18SN3, SC35SN3, SC50SN3, UC18PN3, UC35PN3 and UC50PN3
9	F430232	Nut	Models SC18SN3, SC35SN3, SC50SN3, UC18PN3, UC35PN3 and UC50PN3
10	F431106	Washer	Models SC18SN3, SC35SN3, SC50SN3, UC18PN3, UC35PN3 and UC50PN3
11	F601515	Clip	Models SC18SN3, SC35SN3, SC50SN3, UC18PN3, UC35PN3 and UC50PN3
12	F633098	Switch Plate Sub-Assembly	Models SC18SN3, SC35SN3, SC50SN3, UC18PN3, UC35PN3 and UC50PN3
13	F230840	Switch Plate Decal	Models SC18SN3, SC35SN3, SC50SN3, UC18PN3, UC35PN3 and UC50PN3
14	F340411	Rocker Switch	Models SC18SN3, SC35SN3, SC50SN3, UC18PN3, UC35PN3 and UC50PN3; Red

N/A = Part no longer available

Display Coin Meter Assembly - MC, MD and MX Models; Single Drop (Drawing 1 of 4)

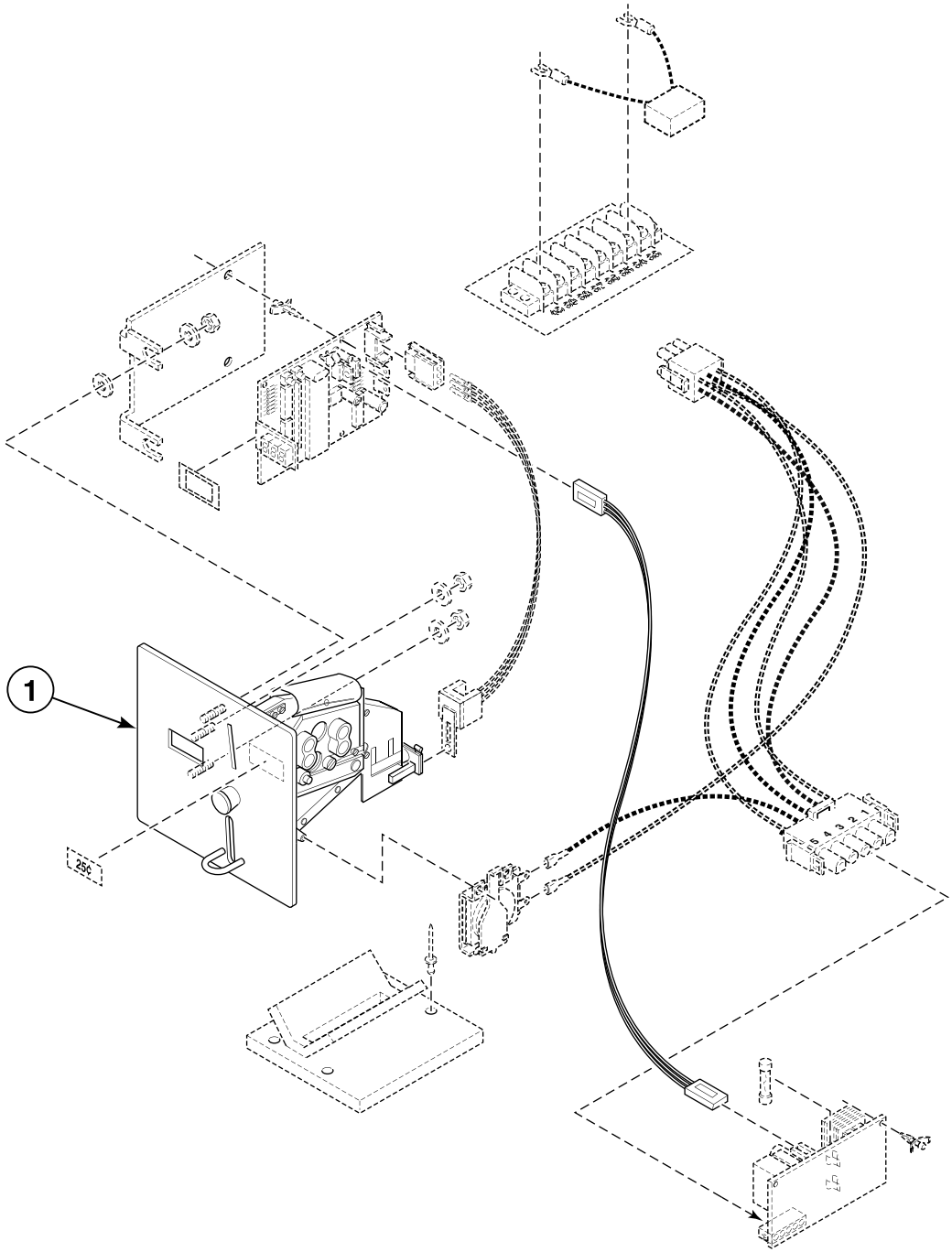


CHM2790P_F232174

Display Coin Meter Assembly - MC, MD and MX Models; Single Drop (Drawing 1 of 4)

REF	PART NO.	DESCRIPTION	COMMENTS
1	F200003000P	Coin Meter Assembly	U.S. quarter; 120 Volt; A, B, F, H, K, L, O and Y-voltage models; Includes items 1-12 and 15, F160466 Coin Meter Blocking Coil and F370411-1 Power Supply CCA on the <i>Display Coin Meter Assembly - MC, MD and MX Models; Single Drop (Drawing 3 of 4)</i> section and F775302-03P Coin Meter Kit
	F200003001	Coin Meter Assembly	10 Taiwan; 120 Volt; A, B, F, H, K, L, O and Y-voltage models; Includes items 1-12 and 15, F160466 Coin Meter Blocking Coil and F370411-1 Power Supply CCA on the <i>Display Coin Meter Assembly - MC, MD and MX Models; Single Drop (Drawing 3 of 4)</i> section and F200115001 Coin Meter Assembly
	F200003002	Coin Meter Assembly	.880 token; 220 Volt; C, D, E, G and J-voltage models; Includes items 1-12 and 15, F160467 Coin Meter Blocking Coil and F370411-2 Power Supply CCA on the <i>Display Coin Meter Assembly - MC, MD and MX Models; Single Drop (Drawing 3 of 4)</i> section and F160692 Coin Meter
	F200003003P	Coin Meter Assembly	.990 token; 120 Volt; A, B, F, H, K, L, O and Y-voltage models; Includes items 1-12 and 15. F160466 Coin Meter Blocking Coil and F370411-1 Power Supply CCA on the <i>Display Coin Meter Assembly - MC, MD and MX Models; Single Drop (Drawing 3 of 4)</i> section and F200115003 Coin Meter Assembly
	F200003004	Coin Meter Assembly	.990 token; 220 Volt; C, D, E, G and J-voltage models; Includes items 1-12 and 15, F160467 Coin Meter Blocking Coil and F370411-2 Power Supply CCA on the <i>Display Coin Meter Assembly - MC, MD and MX Models; Single Drop (Drawing 3 of 4)</i> section and F160717 Coin Meter
	F200003005P	Coin Meter Assembly	U.S. quarter; 220 Volt; C, D, E, G and J-voltage models; Includes items 1-12 and 15, F160467 Coin Meter Blocking Coil and F370411-2 Power Supply CCA on the <i>Display Coin Meter Assembly - MC, MD and MX Models; Single Drop (Drawing 3 of 4)</i> section and F160718 Coin Meter
	F200003006	Coin Meter Assembly	Jeton .08; 220 Volt; C, D, E, G and J-voltage models; Includes items 1-12 and 15, F160467 Coin Meter Blocking Coil and F370411-2 Power Supply CCA on the <i>Display Coin Meter Assembly - MC, MD and MX Models; Single Drop (Drawing 3 of 4)</i> section and F160719 Coin Meter

Display Coin Meter Assembly - MC, MD and MX Models; Single Drop (Drawing 2 of 4)

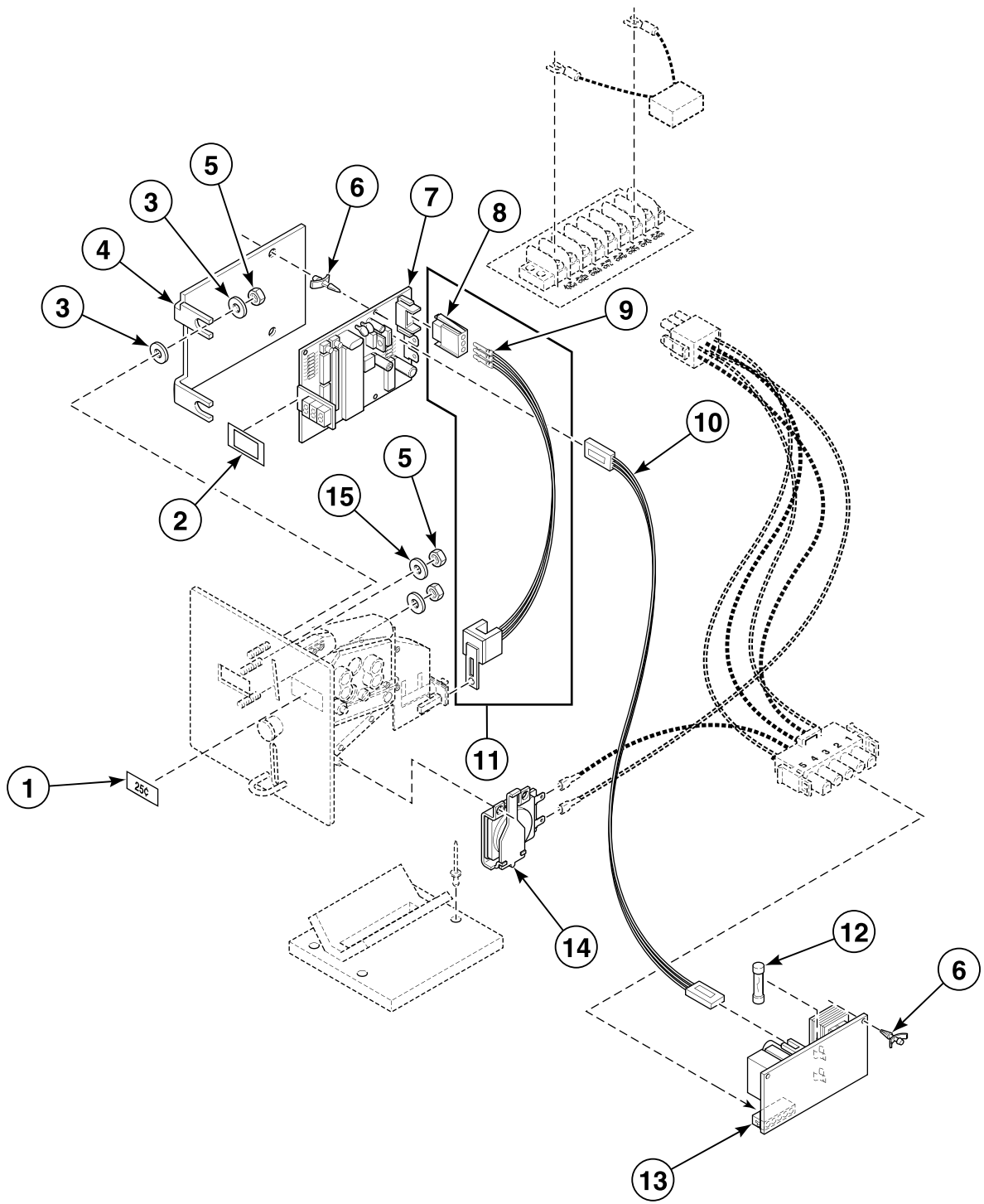


CHM2790P_F232174

Display Coin Meter Assembly - MC, MD and MX Models; Single Drop (Drawing 2 of 4)

REF	PART NO.	DESCRIPTION	COMMENTS
1	F200003007	Coin Meter Assembly	.800 Token; 120 Volt; A, B, F, H, K, L, O and Y-voltage models; Includes items 1-12 and 15, F160466 Coin Meter Blocking Coil and F370411-1 Power Supply CCA on the <i>Display Coin Meter Assembly - MC, MD and MX Models; Single Drop (Drawing 3 of 4)</i> section and F0160735-00 Coin Meter
	F200003008	Coin Meter Assembly	500 wan and yen; 120 Volt; A, B, F, H, K, L, O and Y-voltage models; Includes items 1-12 and 15, F160466 Coin Meter Blocking Coil and F370411-1 Power Supply CCA on the <i>Display Coin Meter Assembly - MC, MD and MX Models; Single Drop (Drawing 3 of 4)</i> section
	F200003009P	Coin Meter Assembly	.880 token; 120 Volt; A, B, F, H, K, L, O and Y-voltage models; Includes items 1-12 and 15, F160466 Coin Meter Blocking Coil and F370411-1 Power Supply CCA on the <i>Display Coin Meter Assembly - MC, MD and MX Models; Single Drop (Drawing 3 of 4)</i> section and F160692 Coin Meter
	F200003010	Coin Meter Assembly	.800 token; 220 Volt; C, D, E, G and J-voltage models; Includes items 1-12 and 15, F160467 Coin Meter Blocking Coil and F370411-2 Power Supply CCA on the <i>Display Coin Meter Assembly - MC, MD and MX Models; Single Drop (Drawing 3 of 4)</i> section
	F200003011	Coin Meter Assembly	500 wan and yen; 220 Volt; C, D, E, G and J-voltage models; Includes items 1-12 and 15, F160467 Coin Meter Blocking Coil and F370411-2 Power Supply CCA on the <i>Display Coin Meter Assembly - MC, MD and MX Models; Single Drop (Drawing 3 of 4)</i> section
	F200003012	Coin Meter Assembly	10 Taiwan; 220 Volt; C, D, E, G and J-voltage models; Includes items 1-12 and 15, F160467 Coin Meter Blocking Coil and F370411-2 Power Supply CCA on the <i>Display Coin Meter Assembly - MC, MD and MX Models; Single Drop (Drawing 3 of 4)</i> section

Display Coin Meter Assembly - MC, MD and MX Models; Single Drop (Drawing 3 of 4)

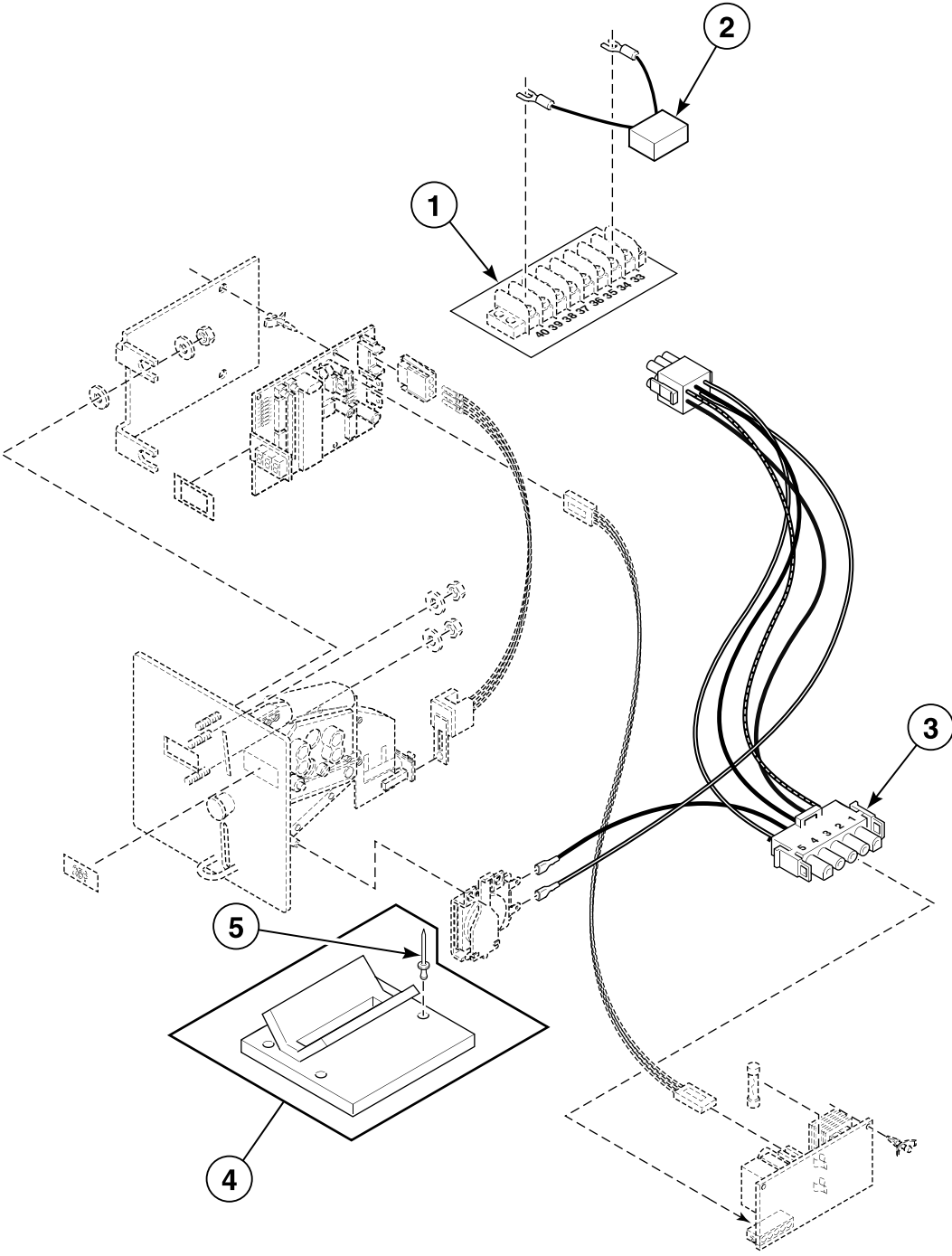


CHM2791P_F232174

Display Coin Meter Assembly - MC, MD and MX Models; Single Drop (Drawing 3 of 4)

REF	PART NO.	DESCRIPTION	COMMENTS
1	F231010	Coin Meter Insert Decal	\$.25 insert
2	F230803	Digital Display Decal	Window
3	F430311	Washer	
4	F608169	CCA Mounting Bracket	
5	F430243	Nut	
6	F432001	Circuit Board Support	
7	F0370410-10P	Coin Counter CCA	
8	F140571	Male Connector	
9	00430	Female Pin Terminal	
10	F140202	DC Power Cable	
11	F775801-01P	Optic Switch Kit	Includes items 8 and 9
12	F350127	Fuse	40 MA
13	F370411-1P	Power Supply CCA	120 Volt
	F370411-2P	Power Supply CCA	220 Volt
14	F160466P	Coin Meter Blocking Coil	120 Volt
	F160467	Coin Meter Blocking Coil	220 Volt
15	F431925	Washer	

Display Coin Meter Assembly - MC, MD and MX Models; Single Drop (Drawing 4 of 4)



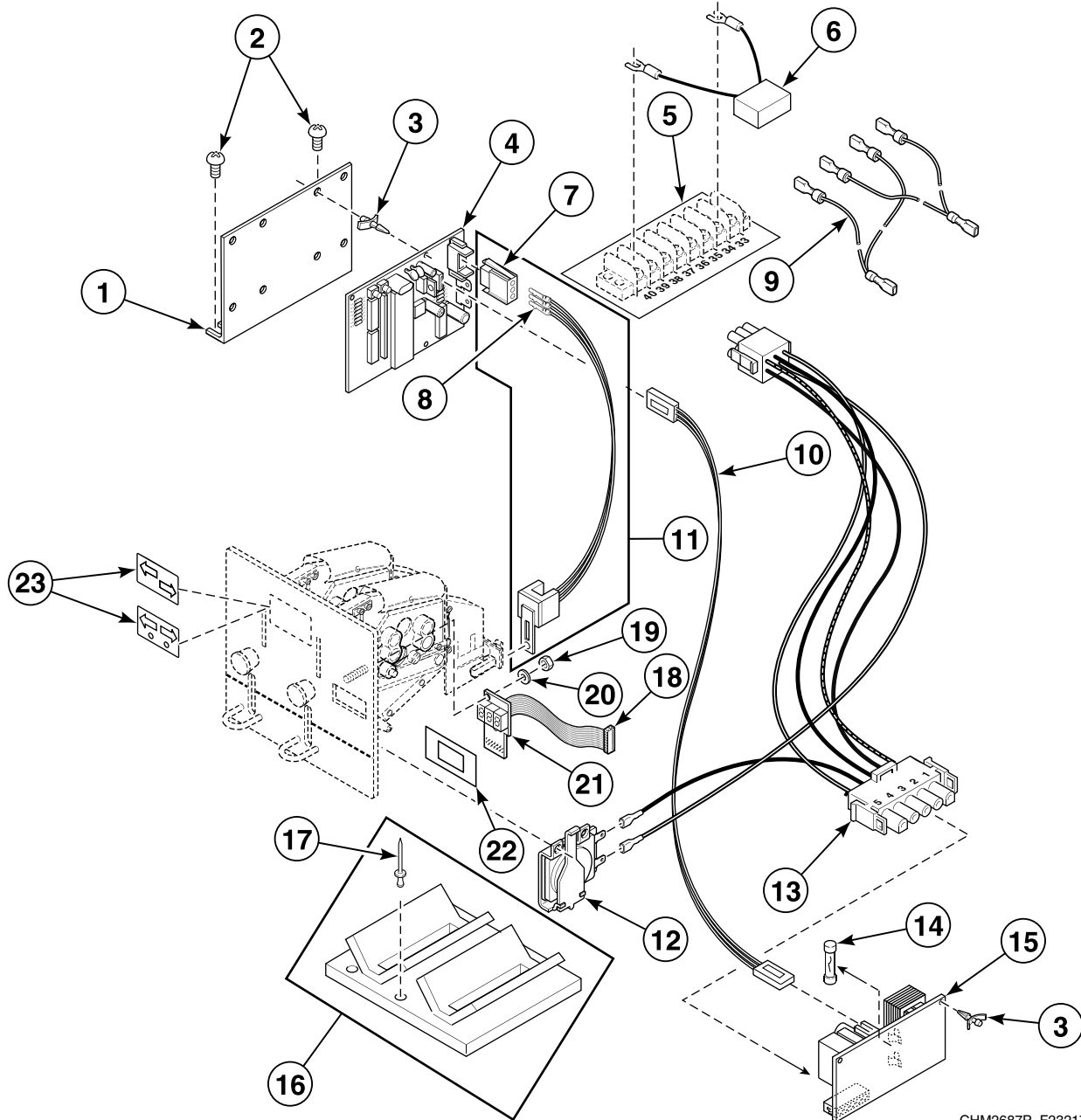
CHM2792P_F232174

Display Coin Meter Assembly - MC, MD and MX Models; Single Drop (Drawing 4 of 4)

REF	PART NO.	DESCRIPTION	COMMENTS
1	F140916	Terminal Strip Insulator Decal	33-40
2	F330217P	RC Network Filter	Used only on models with terminal strip; Includes F140627 Connector and F141022 Connector
3	F607322-2P	Coin Meter Wire Harness	Without connector on terminal strip end; Blue neutral wires; B and C-voltage models
	N/A	Coin Meter Harness	Without connector on terminal strip end; Gray neutral wires; A, D, E, F, H, J, K, L, O and Y-voltage models
	F141878	Power Supply Harness Assembly	With connector on terminal strip end; Design 1-4 models
	F0141904-01	Power Supply Harness	With connector on terminal strip end; Blue neutral wires; B and C-voltage models
	F0141904-00	Power Supply Harness	With connector on terminal strip end; Gray neutral wires; D, E, F, H, J, O and Y-voltage models
4	F200002500	Coin Guide Assembly	Includes item 5; Models through 11/95
	F200002502P	Coin Guide Assembly	Includes item 5; Models starting 12/95
5	F431215	Pop Rivet	

N/A = Part no longer available

Display Coin Meter Assembly - MC, MD and MX Models; Dual Drop (Drawing 1 of 2)



CHM2687P_F232174

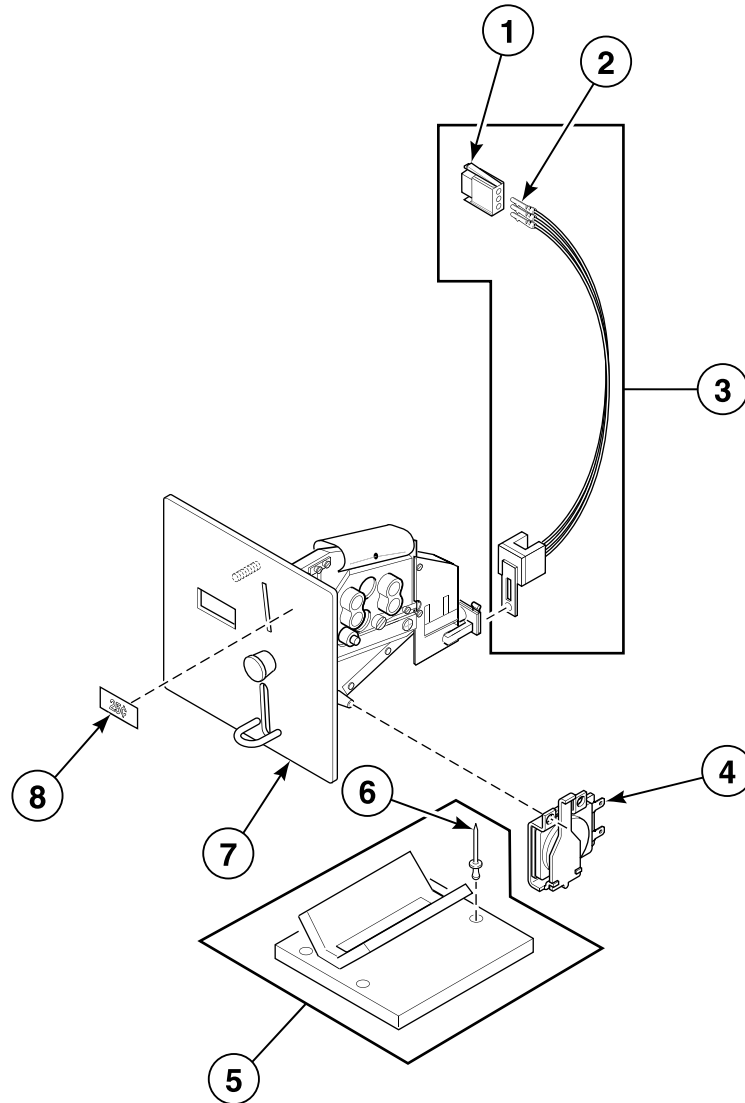
Display Coin Meter Assembly - MC, MD and MX Models; Dual Drop (Drawing 1 of 2)

REF	PART NO.	DESCRIPTION	COMMENTS
1	F608169	CCA Mounting Bracket	
2	F430174	Screw	
3	F432001	Circuit Board Support	
4	F370425P	Coin Counter CCA	
5	F140916	Terminal Strip Insulator Decal	33-40
6	F330217P	RC Network Filter	Used only on models with terminal strip; Includes F140627 Connector and F141022 Connector
7	F140571	Male Connector	
8	00430	Female Pin Terminal	
9	F634561-1	Coin Blocking Wire Harness	A, D, E, F, H, K, L, O and Y-voltage models
	F634561-2	Coin Blocking Wire Harness	B and C-voltage models
10	F140202	DC Power Cable	
11	F775801-01P	Optic Switch Kit	Includes items 7 and 8
12	F160466P	Coin Meter Blocking Coil	120 Volt
	F160467	Coin Meter Blocking Coil	220 Volt
13	F607322-3	Coin Meter Wire Harness	Without connector on terminal strip end; Includes item 6; B and C-voltage models
	F607322-5	Coin Meter Harness	Without connector on terminal strip end; Includes item 6; A, D, E, F, H, J, K, L, O and Y-voltage models
	F0141904-01	Power Supply Harness	With connector on terminal strip end; B and C-voltage models
	F0141904-00	Power Supply Harness	With connector on terminal strip end; D, E, F, H, J, O and Y-voltage models
14	F350127	Fuse	
15	F370411-1P	Power Supply CCA	120 Volt
	F370411-2P	Power Supply CCA	220 Volt
16	F200002501	Coin Guide Assembly	Models through 11/95; Includes item 17
	F200002503	Coin Guide Assembly	Models starting 12/95; Includes item 17
17	F431215	Pop Rivet	
18	F140243P	Ribbon Cable	
19	F430243	Nut	
20	F431925	Washer	
21	F370424-1	Digital Display LED CCA	
22	F230803	Digital Display Decal	Window
23	F0231595-00	Coin Meter Decal	U.S. \$1/.25
	F0231595-01	Coin Meter Decal	Euro .50/2.00

Display Coin Meter Assembly - MC, MD and MX Models; Dual Drop (Drawing 2 of 2)

REF	PART NO.	DESCRIPTION	COMMENTS
1	F200004900	Coin Meter Assembly	1 pound and 20 pence; 220 Volt; C, D, E, G and J-voltage models; Includes items 1-4, 7, 8, 10-12 (F160467), 14, 15 (F370411-2) and 18-22 on the <i>Display Coin Meter Assembly - MC, MD and MX Models; Dual Drop (Drawing 1 of 2)</i> section and F160691 Coin Meter
	F200004901	Coin Meter Assembly	100 and 500 yen; 120 Volt; A, B, F, H, K, L, O and Y-voltage models; Includes items 1-4, 7, 8, 10-12 (F160466), 14, 15 (F370411-1) and 18-22 on the <i>Display Coin Meter Assembly - MC, MD and MX Models; Dual Drop (Drawing 1 of 2)</i> section and F160693 Coin Meter
	F200004902	Coin Meter Assembly	1 and 5 krona; 220 Volt; C, D, E, G and J-voltage models; Includes items 1-4, 7, 8, 10-12 (F160467), 14, 15 (F370411-2) and 18-22 on the <i>Display Coin Meter Assembly - MC, MD and MX Models; Dual Drop (Drawing 1 of 2)</i> section and F160694 Coin Meter
	F200004903	Coin Meter Assembly	Australia \$1 and .20; 220 Volt; C, D, E, G and J-voltage models; Includes items 1-4, 7, 8, 10-12 (F160467), 14, 15 (F370411-2) and 18-22 on the <i>Display Coin Meter Assembly - MC, MD and MX Models; Dual Drop (Drawing 1 of 2)</i> section and F160695 Coin Meter
	F200004904	Coin Meter Assembly	1 and 5 rand; 220 Volt; C, D, E, G and J-voltage models; Includes items 1-4, 7, 8, 10-12 (F160467), 14, 15 (F370411-2) and 18-22 on the <i>Display Coin Meter Assembly - MC, MD and MX Models; Dual Drop (Drawing 1 of 2)</i> section
	F200004905	Coin Meter Assembly	1 and 5 shekel; 220 Volt; C, D, E, G and J-voltage models; Includes items 1-4, 7, 8, 10-12 (F160467), 14, 15 (F370411-2) and 18-22 on the <i>Display Coin Meter Assembly - MC, MD and MX Models; Dual Drop (Drawing 1 of 2)</i> section and F160715 Coin Meter
	F200004906P	Coin Meter Assembly	U.S. \$1 and .25; 120 Volt; A, B, F, H, K, L, O and Y-voltage models; Includes items 1-4, 7, 8, 10-12 (F160466), 14, 15 (F370411-1) and 18-23 (F0231595-00) on the <i>Display Coin Meter Assembly - MC, MD and MX Models; Dual Drop (Drawing 1 of 2)</i> section and F0160730-00 Coin Meter
	F200004907	Coin Meter Assembly	100 and 500 peseta; 220 Volt; C, D, E, G and J-voltage models; Includes items 1-4, 7, 8, 10-12 (F160467), 14, 15 (F370411-2) and 18-22 on the <i>Display Coin Meter Assembly - MC, MD and MX Models; Dual Drop (Drawing 1 of 2)</i> section
	F200004908	Coin Meter Assembly	.50 and 2.00 euro; 220 Volt; C, D, E, G and J-voltage models; Includes items 1-4, 7, 8, 10-12 (F160467), 14, 15 (F370411-2) and 18-23 (F0231595-01) on the <i>Display Coin Meter Assembly - MC, MD and MX Models; Dual Drop (Drawing 1 of 2)</i> section and F0160736-00 Coin Meter
	F200004909	Coin Meter Assembly	Canada \$1 and .25; 120 Volt; A, B, F, H, K, L, O and Y-voltage models; Includes items 1-4, 7, 8, 10-12 (F160466), 14, 15 (F370411-1) and 18-23 (F0231595-00) on the <i>Display Coin Meter Assembly - MC, MD and MX Models; Dual Drop (Drawing 1 of 2)</i> section and F0160740-00 Coin Meter
	F200004910	Coin Meter Assembly	U.S. \$1 and .25; 220 Volt; C, D, E, G and J-voltage models; Includes items 1-4, 7, 8, 10-12 (F160467), 14, 15 (F370411-2) and 18-23 (F0231595-00) on the <i>Display Coin Meter Assembly - MC, MD and MX Models; Dual Drop (Drawing 1 of 2)</i> section
	F200004911	Coin Meter Assembly	Canada \$1 and .25; 220 Volt; C, D, E, G and J-voltage models; Includes items 1-4, 7, 8, 10-12 (F160467), 14, 15 (F370411-2) and 18-23 (F0231595-00) on the <i>Display Coin Meter Assembly - MC, MD and MX Models; Dual Drop (Drawing 1 of 2)</i> section
	F200004912	Coin Meter Assembly	100 and 500 yen; 220 Volt; C, D, E, G and J-voltage models; Includes items 1-4, 7, 8, 10-12 (F160467), 14, 15 (F370411-2) and 18-22 on the <i>Display Coin Meter Assembly - MC, MD and MX Models; Dual Drop (Drawing 1 of 2)</i> section

W2000 Coin Meter Assembly - MC, MD and MX Models; Single Drop

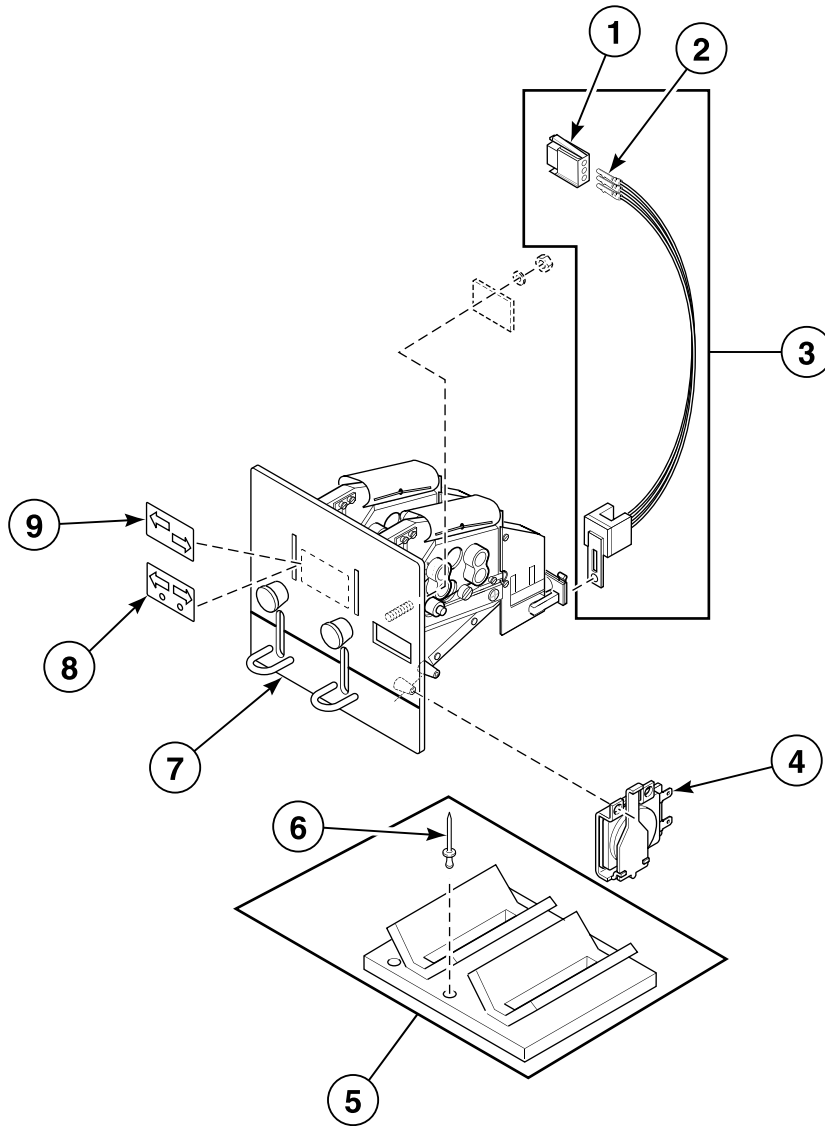


CHM2681P_F232174

W2000 Coin Meter Assembly - MC, MD and MX Models; Single Drop

REF	PART NO.	DESCRIPTION	COMMENTS
1	F140571	Male Connector	
2	00430	Female Pin Terminal	
3	F775801-01P	Optic Switch Kit	Includes items 1 and 2
4	F160466P	Coin Meter Blocking Coil	120 Volt
	F160467	Coin Meter Blocking Coil	220 Volt
5	F200002500	Coin Guide Assembly	Includes item 6; Models through 11/95
	F200002502P	Coin Guide Assembly	Includes item 6; Models starting 12/95
6	F431215	Pop Rivet	
7	F200115000P	Coin Meter Assembly	U.S. quarter; 120 Volt; A, B, F, H, K, L, O and Y-voltage models; Includes items 3, 8, F160466 Coin Meter Blocking Coil
	F200115001	Coin Meter Assembly	10 Taiwan; 120 Volt; A, B, F, H, K, L, O and Y-voltage models; Includes item 3, F160466 Coin Meter Blocking Coil and F775302-03P Coin Meter Kit
	F200115002	Coin Meter Assembly	.880 token; 220 Volt; C, D, E, G and J-voltage models; Includes item 3, F160467 Coin Meter Blocking Coil and F160692 Coin Meter
	F200115003	Coin Meter Assembly	.990 token; 120 Volt; A, B, F, H, K, L, O and Y-voltage models; Includes item 3 and F160466 Coin Meter Blocking Coil
	F200115004	Coin Meter Assembly	.990 token; 220 Volt; C, D, E, G and J-voltage models; Includes item 3, F160467 Coin Meter Blocking Coil and F160717 Coin Meter
	F200115005P	Coin Meter Assembly	U.S. quarter; 220 Volt; C, D, E, G and J-voltage models; Includes items 3, 8, F160467 Coin Meter Blocking Coil and F160718 Coin Meter
	F200115006	Coin Meter Assembly	.08 jeton; 220 Volt; C, D, E, G and J-voltage models; Includes items 3, F160467 Coin Meter Blocking Coil and F160719 Coin Meter
	F200115007	Coin Meter Assembly	.800 token; 120 Volt; A, B, F, H, K, L, O and Y-voltage models; Includes item 3, F160466 Coin Meter Blocking Coil and F0160735-00 Coin Meter
	F200115008	Coin Meter Assembly	500 wan and yen; 120 Volt; A, B, F, H, K, L, O and Y-voltage models; Includes items 3 and F160466 Coin Meter Blocking Coil
	F200115009	Coin Meter Assembly	.800 token; 220 Volt; C, D, E, G and J-voltage models; Includes items 3 and F160467 Coin Meter Blocking Coil
	F200115010	Coin Meter Assembly	500 wan and yen; 220 Volt; C, D, E, G and J-voltage models; Includes items 3 and F160467 Coin Meter Blocking Coil
7	F200115011	Coin Meter Assembly	10 Taiwan; 220 Volt; C, D, E, G and J-voltage models; Includes items 3 and F160467 Coin Meter Blocking Coil
8	F231010	Coin Meter Insert Decal	\$.25 insert

W2000 Coin Meter Assembly - MC, MD and MX Models; Dual Drop

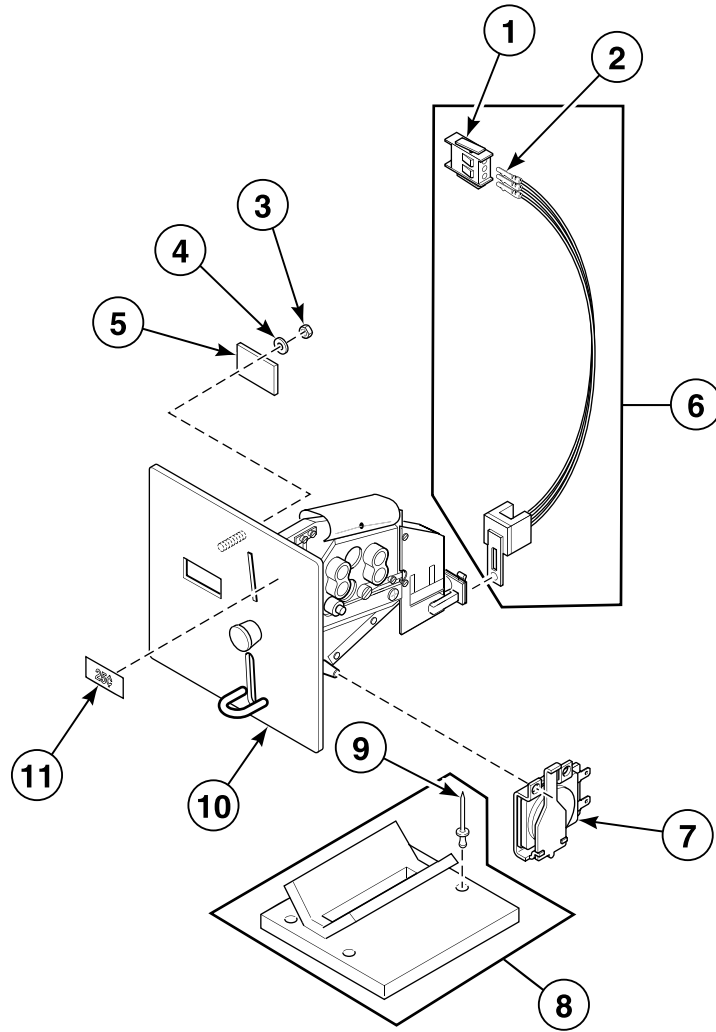


CHM2682P_F232174

W2000 Coin Meter Assembly - MC, MD and MX Models; Dual Drop

REF	PART NO.	DESCRIPTION	COMMENTS
1	F140571	Male Connector	
2	00430	Female Pin Terminal	
3	F775801-01P	Optic Switch Kit	Includes items 1 and 2
4	F160466P	Coin Meter Blocking Coil	120 Volt
	F160467	Coin Meter Blocking Coil	220 Volt
5	F200002501	Coin Guide Assembly	Models through 11/95; Includes item 6
	F200002503	Coin Guide Assembly	Models starting 12/95; Includes item 6
6	F431215	Pop Rivet	
7	F200115100	Coin Meter Assembly	1 pound and 20 pence; 220 Volt; C, D, E, G and J-voltage models; Includes item 3, F160467 Coin Meter Blocking Coil and F160691 Coin Meter
	F200115101	Coin Meter Assembly	100 and 500 yen; 120 Volt; A, B, F, H, K, L, O and Y-voltage models; Includes item 3, F160466 Coin Meter Blocking Coil and F160693 Coin Meter
	F200115102	Coin Meter Assembly	1 and 5 krona; 220 Volt; C, D, E, G and J-voltage models; Includes item 3, F160467 Coin Meter Blocking Coil and F160694 Coin Meter
	F200115103	Coin Meter Assembly	Australia \$1 and .20; 220 Volt; C, D, E, G and J-voltage models; Includes item 3, F160467 Coin Meter Blocking Coil and F160695 Coin Meter
	F200115104	Coin Meter Assembly	1 and 5 rand; 220 Volt; C, D, E, G and J-voltage models; Includes items 3, F160467 Coin Meter Blocking Coil and F160698 Coin Meter
	F200115105	Coin Meter Assembly	1 and 5 shekel; 220 Volt; C, D, E, G and J-voltage models; Includes item 3, F160467 Coin Meter Blocking Coil and F160715 Coin Meter
	F200115106P	Coin Meter Assembly	U.S. \$1 and .25; 120 Volt; A, B, F, H, K, L, O and Y-voltage models; Includes items 3, 8 and F160466 Coin Meter Blocking Coil and F0160730-00 Coin Meter
	F200115107	Coin Meter Assembly	100 and 500 peseta; 220 Volt; C, D, E, G and J-voltage models; Includes item 3 and F160467 Coin Meter Blocking Coil
	F200115108	Coin Meter Assembly	.50 and 2 euro; 220 Volt; C, D, E, G and J-voltage models; Includes items 3, 9 and F160467 Coin Meter Blocking Coil and F0160736-00 Coin Meter
	F200115109	Coin Meter Assembly	Canada \$1 and .25; 120 Volt; A, B, F, H, K, L, O and Y-voltage models; Includes items 3, 8 and F160466 Coin Meter Blocking Coil and F0160740-00 Coin Meter
	F200115110	Coin Meter Assembly	U.S. \$1 and .25; 220 Volt; C, D, E, G and J-voltage models; Includes items 3, 8 and F160467 Coin Meter Blocking Coil
	F200115111	Coin Meter Assembly	Canada \$1 and .25; 220 Volt; C, D, E, G and J-voltage models; Includes items 3, 8 and F160467 Coin Meter Blocking Coil
	F200115112	Coin Meter Assembly	100 and 500 yen; 220 Volt; C, D, E, G and J-voltage models; Includes items 3 and F160467 Coin Meter Blocking Coil
8	F0231595-00	Coin Meter Decal	\$1/.25
9	F0231595-01	Coin Meter Decal	.50/2.00 euro

W2000 Coin Meter Assembly - PC Models



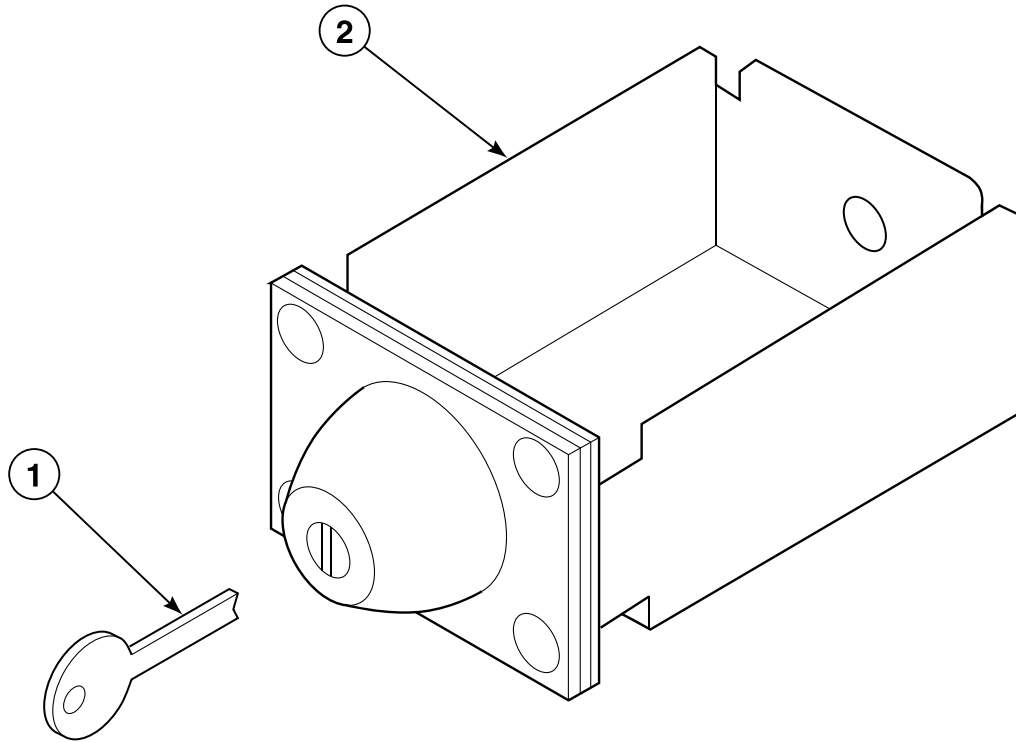
CHM2690P_F232174

W2000 Coin Meter Assembly - PC Models

REF	PART NO.	DESCRIPTION	COMMENTS
1	N/A	Female Connector	
2	N/A	Male Pin Connector	
3	F430243	Nut	
4	F431925	Washer	
5	F608925	Coin Meter Insert	
6	F775801-02P	Optic Switch Kit	Includes items 1 and 2
7	F160466P	Coin Meter Blocking Coil	120 Volt
	F160467	Coin Meter Blocking Coil	220 Volt
8	F200002500	Coin Guide Assembly	Includes item 9; Models through 11/95
	F200002502P	Coin Guide Assembly	Includes item 9; Models starting 12/95
9	F431215	Pop Rivet	
10	F200005800	Coin Meter Assembly	U.S. quarter; 120 Volt; Includes items 1-5, 7 and F775302-03P Coin Meter Kit
	F200005801	Coin Meter Assembly	10 Taiwan; 120 Volt; Includes items 1-5, 7 and F20011501 Coin Meter Assembly
	F200005802	Coin Meter Assembly	.880 token; 220 Volt; Includes items 1-5, 7 and F160692 Coin Meter
	F200005803	Coin Meter Assembly	.990 token; 120 Volt; Includes items 1-5, 7 and F200115003 Coin Meter Assembly
	F200005804	Coin Meter Assembly	.990 token; 220 Volt; Includes items 1-5, 7 and F160717 Coin Meter
	F200005805	Coin Meter Assembly	U.S. quarter; 220 Volt; Includes items 1-5, 7, 11 and F160718 Coin Meter
	F200005806	Coin Meter Assembly	Jeton; 220 Volt; Includes items 1-5, 7 and F160719 Coin Meter
	F200005807	Coin Meter Assembly	.880 token; 120 Volt; Includes items 1-5, 7 and F0160735-00 Coin Meter
	F200005808	Coin Meter Assembly	500 wan and yen; 120 Volt; Includes items 1-5, 7 and F0160739-00 Coin Meter
	F200005809	Coin Meter Assembly	.880 token; 220 Volt; Includes items 1-5 and 7
	F200005810	Coin Meter Assembly	500 wan and yen; 220 Volt; Includes items 1-5 and 7
F200005811	Coin Meter Assembly	10 Taiwan; 220 Volt; Includes items 1-5 and 7	
11	F231010	Coin Meter Insert Decal	.25 insert

N/A = Part no longer available

Coin Box (Optional)



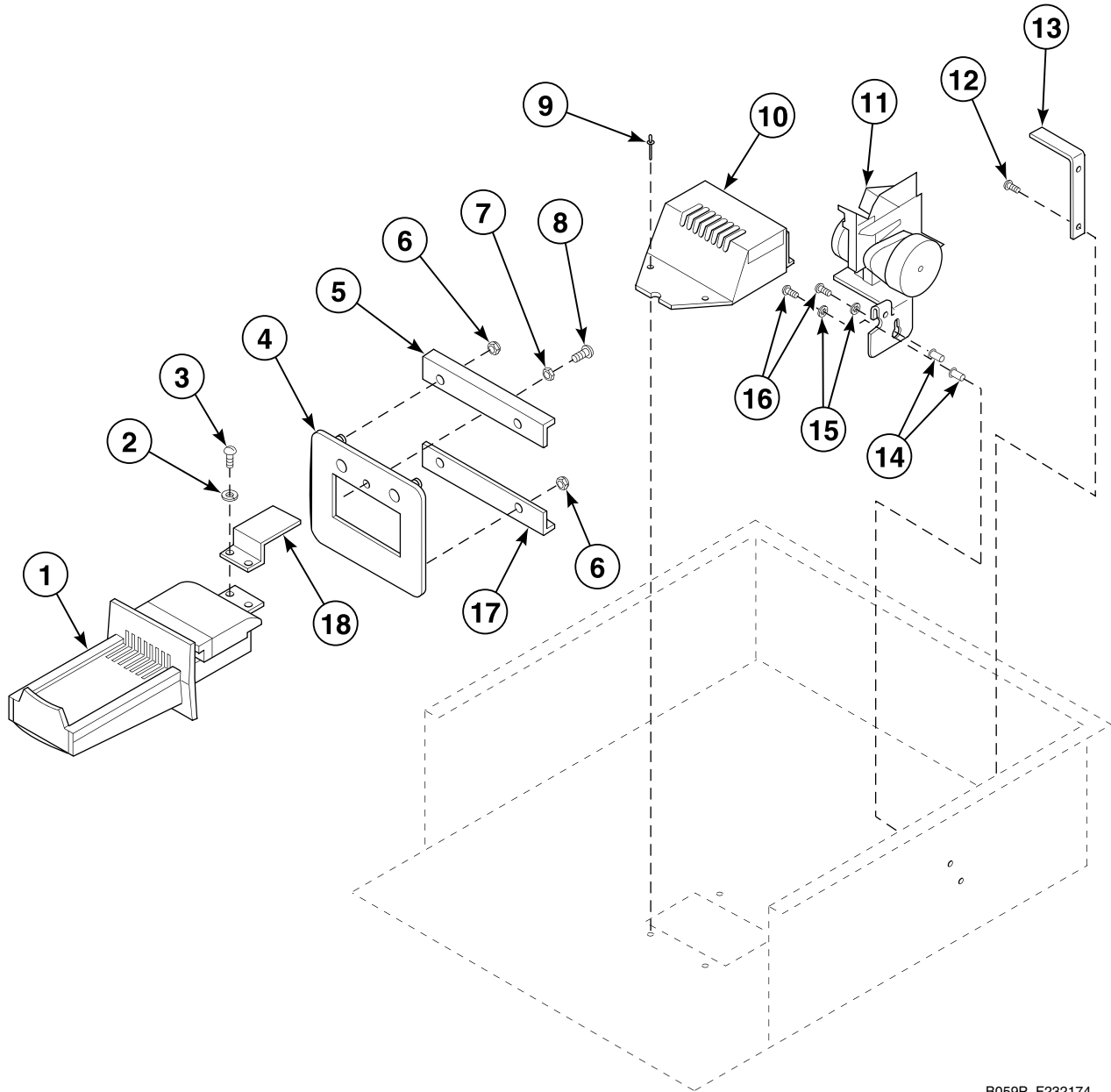
CHM1764P_F232174

Coin Box (Optional)

REF	PART NO.	DESCRIPTION	COMMENTS
1	F160582	Key	UG11
	N/A	Key	UG12
	N/A	Key	UG13
	N/A	Key	UG14
	N/A	Key	UG15
	N/A	Key	UG16
	N/A	Key	UG17
	N/A	Key	UG18
	N/A	Key	UG19
	F160591	Key	UG20
	F160420	Key	UG21
	F160421	Key	UG22
	F160422	Key	UG23
	F160423	Key	UG24
	F160424	Key	UG25
	2	N/A	Coin Box
N/A		Coin Box	UG12; Short
N/A		Coin Box	UG13; Short
F160631		Coin Box	UG14; Short
F160632		Coin Box	UG15; Short
F160633		Coin Box	UG16; Short
F160634		Coin Box	UG17; Short
N/A		Coin Box	UG18; Short
F160636		Coin Box	UG19; Short
N/A		Coin Box	UG20; Short
F160672		Coin Box	UG21; Long
F160673		Coin Box	UG22; Long
N/A		Coin Box	UG23; Long
N/A		Coin Box	UG24; Long
N/A		Coin Box	UG25; Long

N/A = Part no longer available

Vertical Eight Coin Meter Adapter Kit - MC, MD and MX Models Through 2/29/92



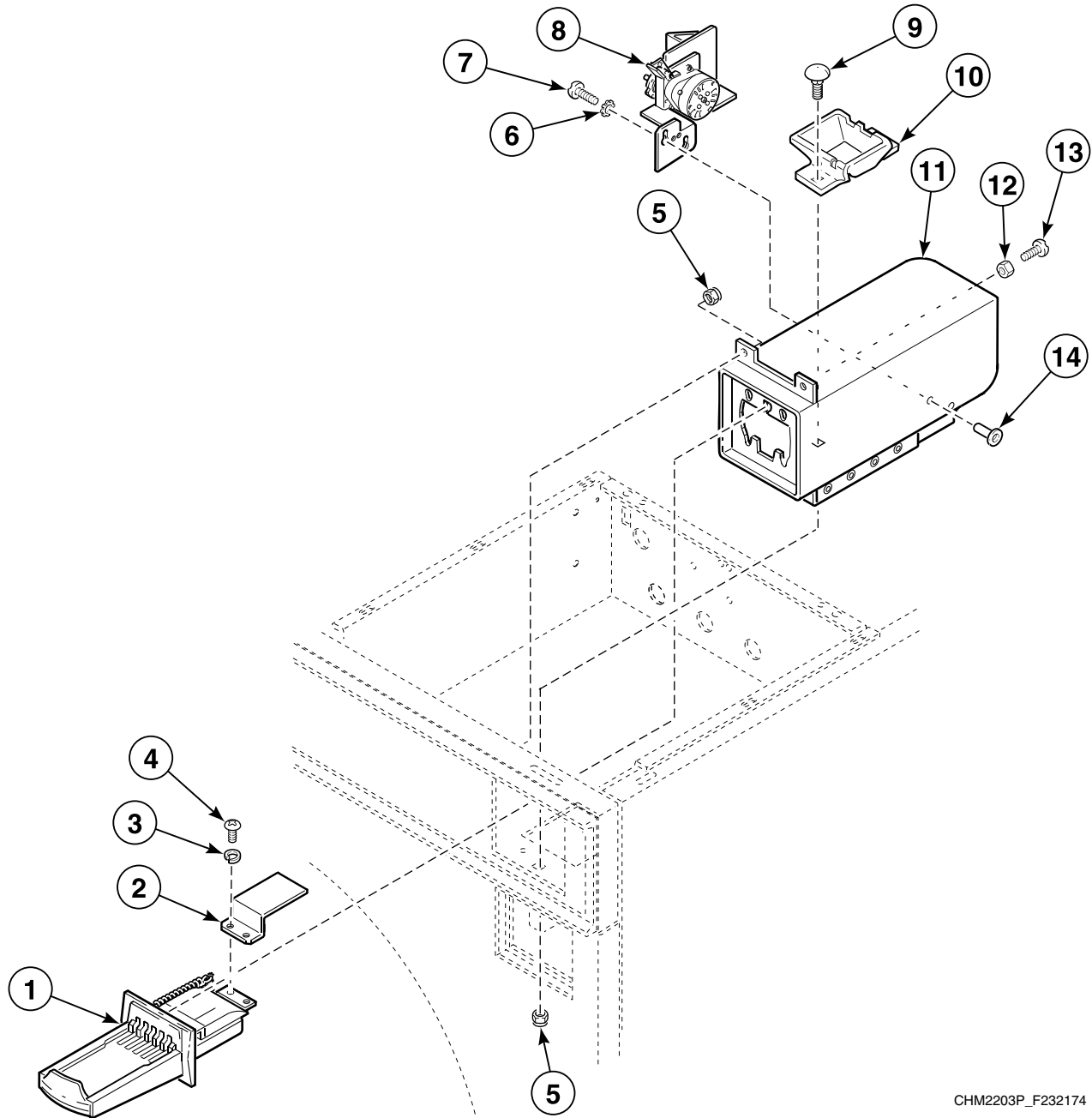
B059P_F232174

Vertical Eight Coin Meter Adapter Kit - MC, MD and MX Models Through 2/29/92

REF	PART NO.	DESCRIPTION	COMMENTS
	N/A	Meter Adapter Kit	Without slide; Includes items 4, 10, 17 and 18
	N/A	Coin Meter Adapter Kit	With slide; 120 Volt; Includes items 1-3, 6, 11, 15, 16 and 18
	F775100-02	Coin Meter Adapter Kit	With slide; 220 Volt; Includes items 1-3, 6, 11, 15 and 16
1	F160652P	Coin Chute	
2	F431102	Washer	
3	F430904	Screw	
4	F605974	Coin Meter Slide Sub-Assembly	
5	N/A	Coin Guide Bracket	
6	F430215	Nut	
7	F431005	Nut	
8	F430925	Screw	
9	F431209	Pop Rivet	
10	F606651	Coin Catch Funnel Kit	
11	F160650P	Start Control Assembly	120 Volt
	F160651P	Start Control Assembly	220 Volt
12	F430174	Screw	
13	F606005	Bracket	
14	F432213	Nut	
15	F431113	Washer	
16	F430928	Screw	
17	N/A	Coin Guide Bracket	
18	F606006	Coin Slide Extension	

N/A = Part no longer available

Vertical Eight Coin Meter Adapter Kit - MC, MD and MX Models Starting 3/1/92

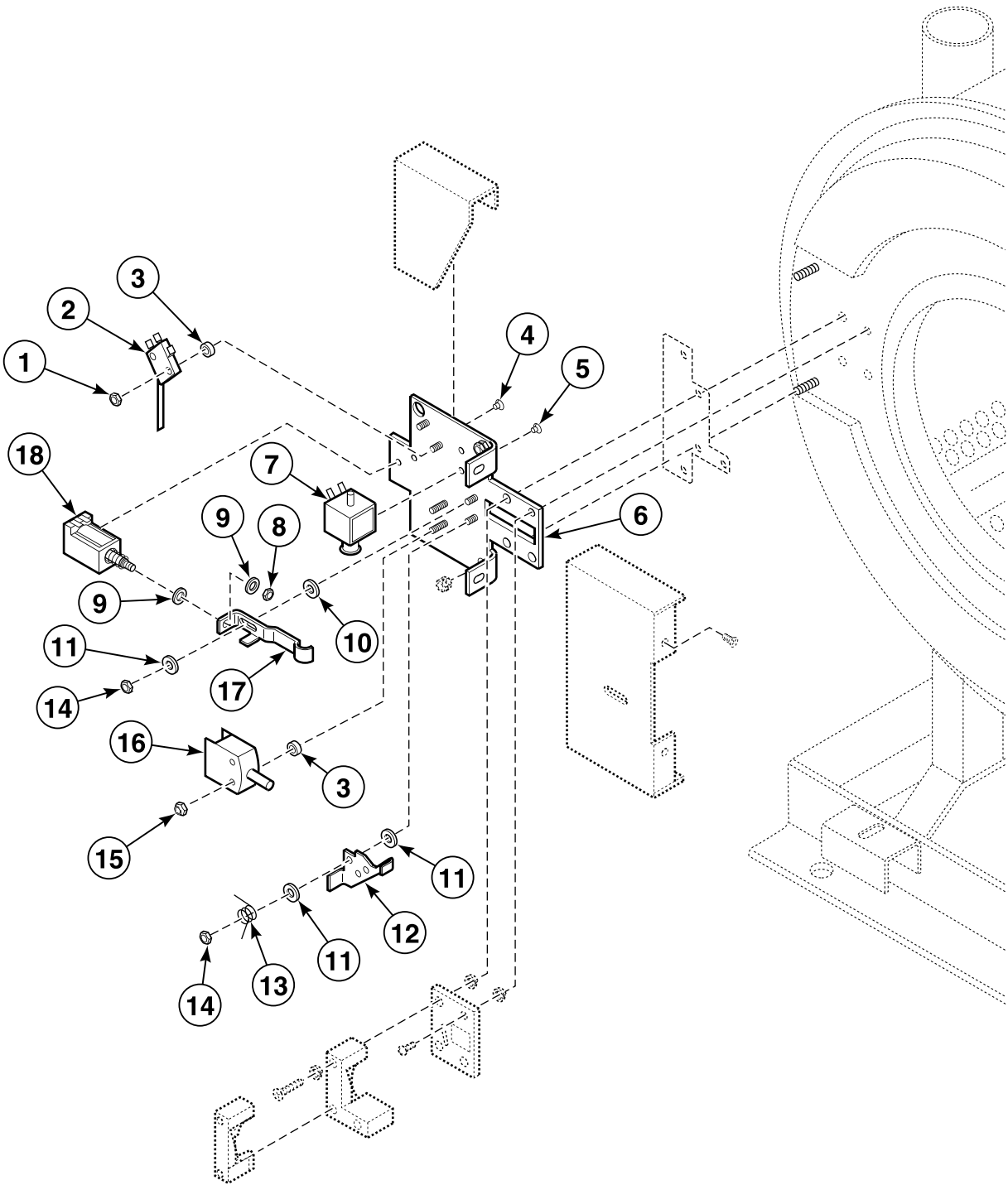


CHM2203P_F232174

Vertical Eight Coin Meter Adapter Kit - MC, MD and MX Models Starting 3/1/92

REF	PART NO.	DESCRIPTION	COMMENTS
	N/A	Coin Meter Adapter Kit	120 Volt; Includes items 1-14; With coin slide
	F775100-02	Coin Meter Adapter Kit	220 Volt; Includes items 1-14; With coin slide
	N/A	Coin Meter Adapter Kit	120 Volt; Includes items 5-7 and 9-13
	F775101-02	Coin Meter Adapter Kit	220 Volt; Includes items 5-7 and 9-13
1	F160652P	Coin Chute	
2	F606006	Coin Slide Extension	
3	F431102	Washer	
4	F430904	Screw	
5	F430215	Nut	
6	F431113	Washer	
7	F430928	Screw	
8	F160650P	Start Control Assembly	120 Volt
	F160651P	Start Control Assembly	220 Volt
9	F430969	Bolt	
10	F607535	Coin Funnel Assembly	
11	F775700	Slide Coin Meter Vault Kit	Includes items 2, 4, 5, 9, 10 and F160465 Bolt
12	F431005	Nut	
13	F430925	Screw	
14	F432213	Nut	

Door Lock - Coin Models (Drawing 1 of 2)

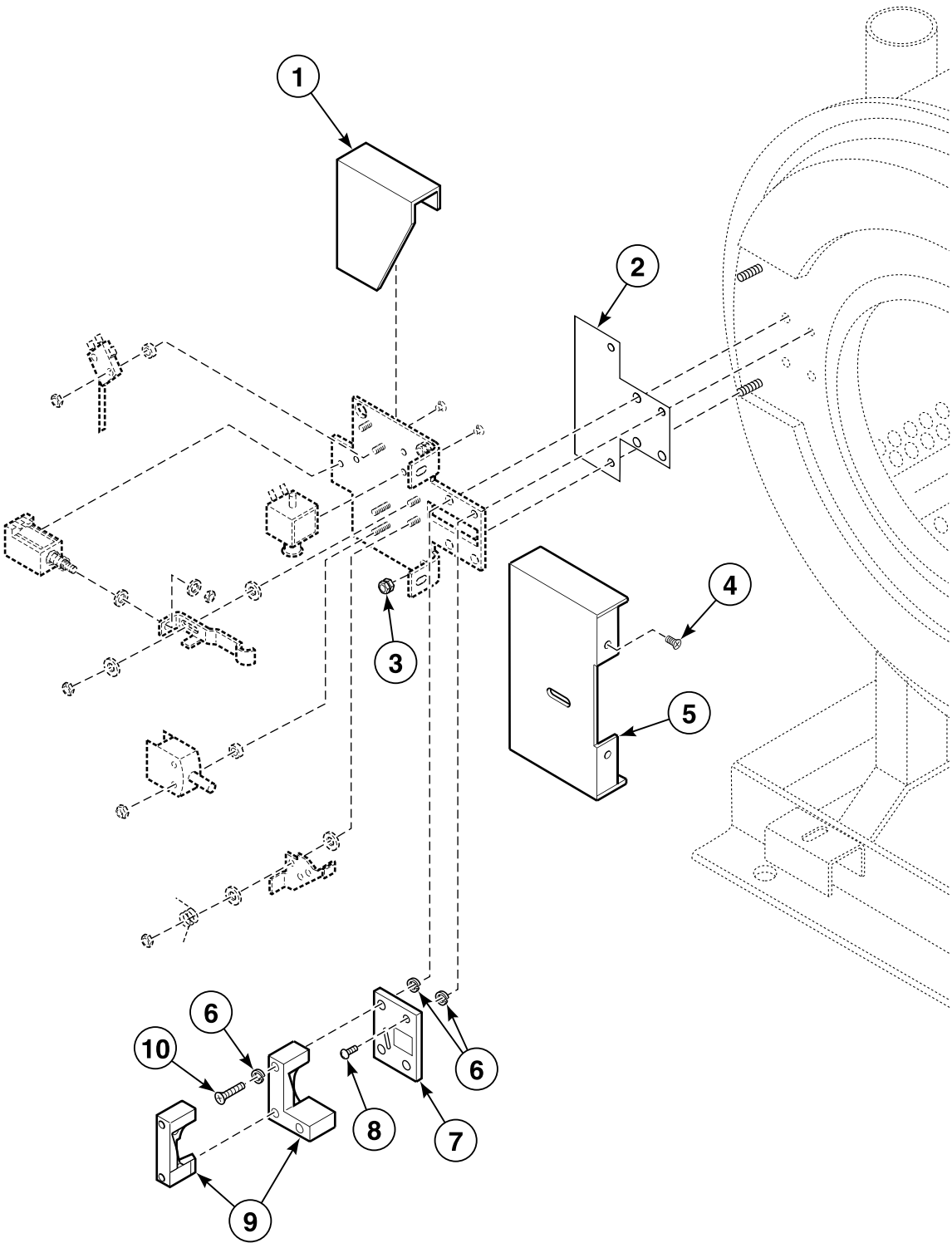


CHM2865P_F232174

Door Lock - Coin Models (Drawing 1 of 2)

REF	PART NO.	DESCRIPTION	COMMENTS
	F602509-1P	Door Lock Assembly	SC18, SC35, UC18 and UC35 MC, MD, MH, MV and MX models; 120 Volt; Includes items 1-5, 7-18, F602511-1 Door Lock Plate Sub-Assembly and the door lock harness
	F602509-2P	Door Lock Assembly	SC50 and UC50 MC, MD, MH, MV and MX models; 120 Volt; Includes items 1-5, 7-18, F602511-1 Door Lock Plate Sub-Assembly and the door lock harness
	F603390-1P	Door Lock Assembly	SC18, SC35, UC18 and UC35 MC, MD, MH, MV and MX models; 220 Volt; Includes items 1-5, 7-18, F602511-1 Door Lock Plate Sub-Assembly and the door lock harness
	F603390-2	Door Lock Assembly	SC50 and UC50 MC, MD, MH, MV and MX models; 220 Volt; Includes items 1-5, 7-18, F602511-1 Door Lock Plate Sub-Assembly and the door lock harness
	F602509-3P	Door Lock Assembly	SC18, SC35, UC18 and UC35 MC, MD, MH, MV and MX models; With L-catch; 120 Volt; Includes items 1-5, 7-18, F602511-2 Door Lock Plate Sub-Assembly and the door lock harness
	F602509-4P	Door Lock Assembly	SC50 and UC50 MC, MD, MH, MV and MX models; With L-catch; 120 Volt; Includes items 1-5, 7-18, F602511-2 Door Lock Plate Sub-Assembly and the door lock harness
	F603390-3P	Door Lock Assembly	SC18, SC35, UC18 and UC35 MC, MD, MH, MV and MX models; With L-catch; 220 Volt; Includes items 1-5, 7-18, F602511-2 Door Lock Plate Sub-Assembly and the door lock harness
	F603390-4P	Door Lock Assembly	SC50 and UC50 MC, MD, MH, MV and MX models; With L-catch; 220 Volt; Includes items 1-5, 7-18, F602511-2 Door Lock Plate Sub-Assembly and the door lock harness
	F604449-1P	Door Lock Assembly	SC18, SC35, UC18 and UC35 PC models; 120-220 Volt; Includes items 1-18 and wiring harness
	F604449-2P	Door Lock Assembly	SC50 and UC50 PC models; 120-220 Volt; Includes items 1-18 and wiring harness
1	F430225	Nut	
2	F340919	Door Lock Microswitch	
3	F431901	Spacer	
4	F430977	Screw	
5	F430978	Screw	
6	F633734	Door Lock Plate Sub-Assembly	
7	F300113P	Door Lock Solenoid	
8	F430220	Nut	
9	F431123	Washer	
10	F431903	Washer	
11	F431902	Washer	
12	F605381	Door Lock Lever	
13	F310110	Door Lock Torsion Spring	
14	F430232	Nut	
15	F430231	Nut	
16	F340200	Door Switch	
	F340201	Door Switch	Gold contacts
17	F602540	Pushbutton Stop	
18	F300128P	Door Release Solenoid	

Door Lock - Coin Models (Drawing 2 of 2)

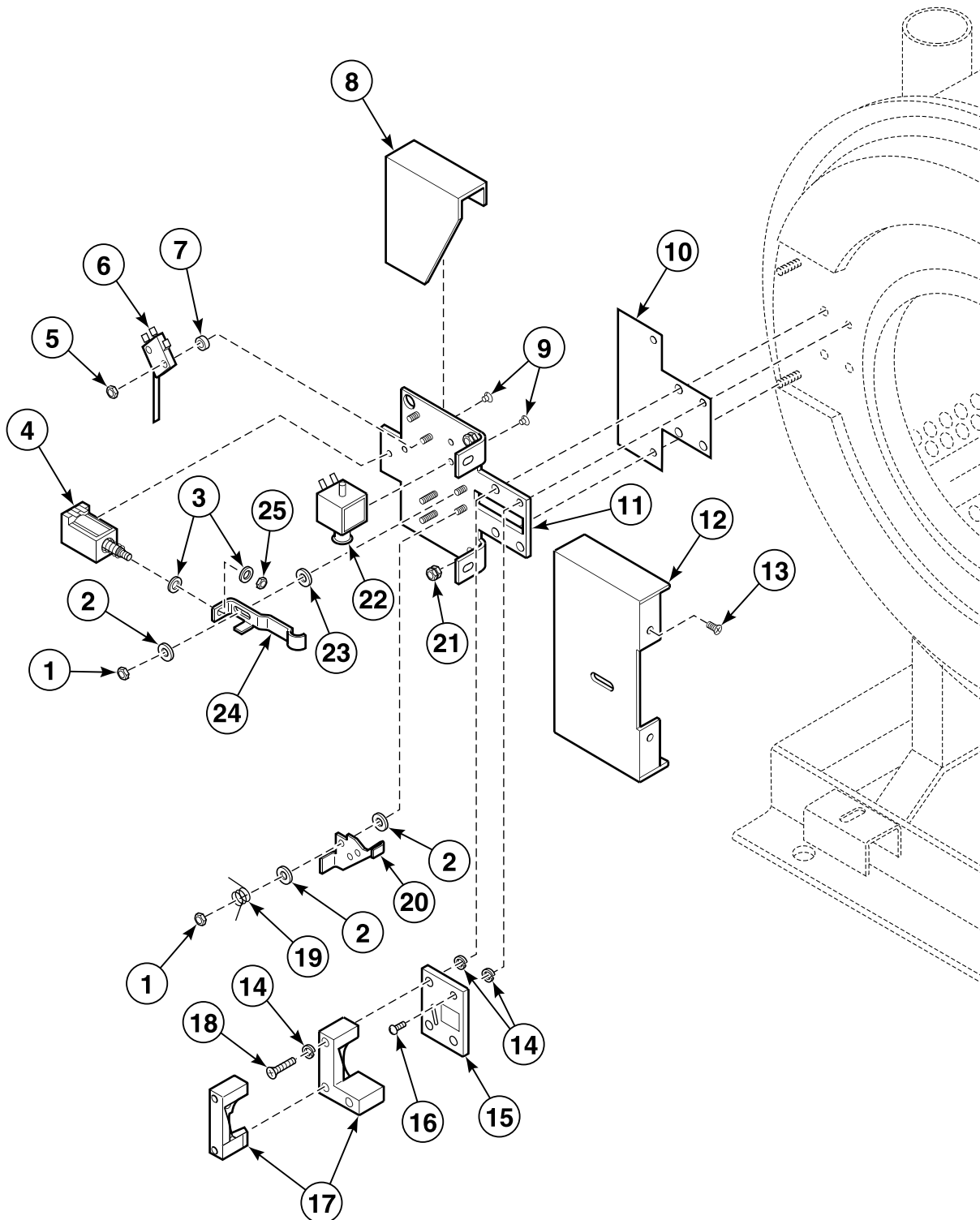


CHM2866P_F232174

Door Lock - Coin Models (Drawing 2 of 2)

REF	PART NO.	DESCRIPTION	COMMENTS
1	F320200	Door Lock Splash Shield	
2	F603185	Door Lock Plate Shim	Use as needed
3	F430215	Nut	
4	F430174	Screw	
5	F603003	Door Lock Assembly Cover	
6	F431100	Washer	
7	F602567	Door Lock Plate Cover	
8	F430925	Screw	
9	F150261	Door Lock Catch Casting	L-catch
	F150223	Door Lock Catch	I-catch
10	F430983	Screw	SC18 and UC18 models
	F430982	Screw	SC35, SC50, UC35 and UC50 models

Door Lock - MN Models

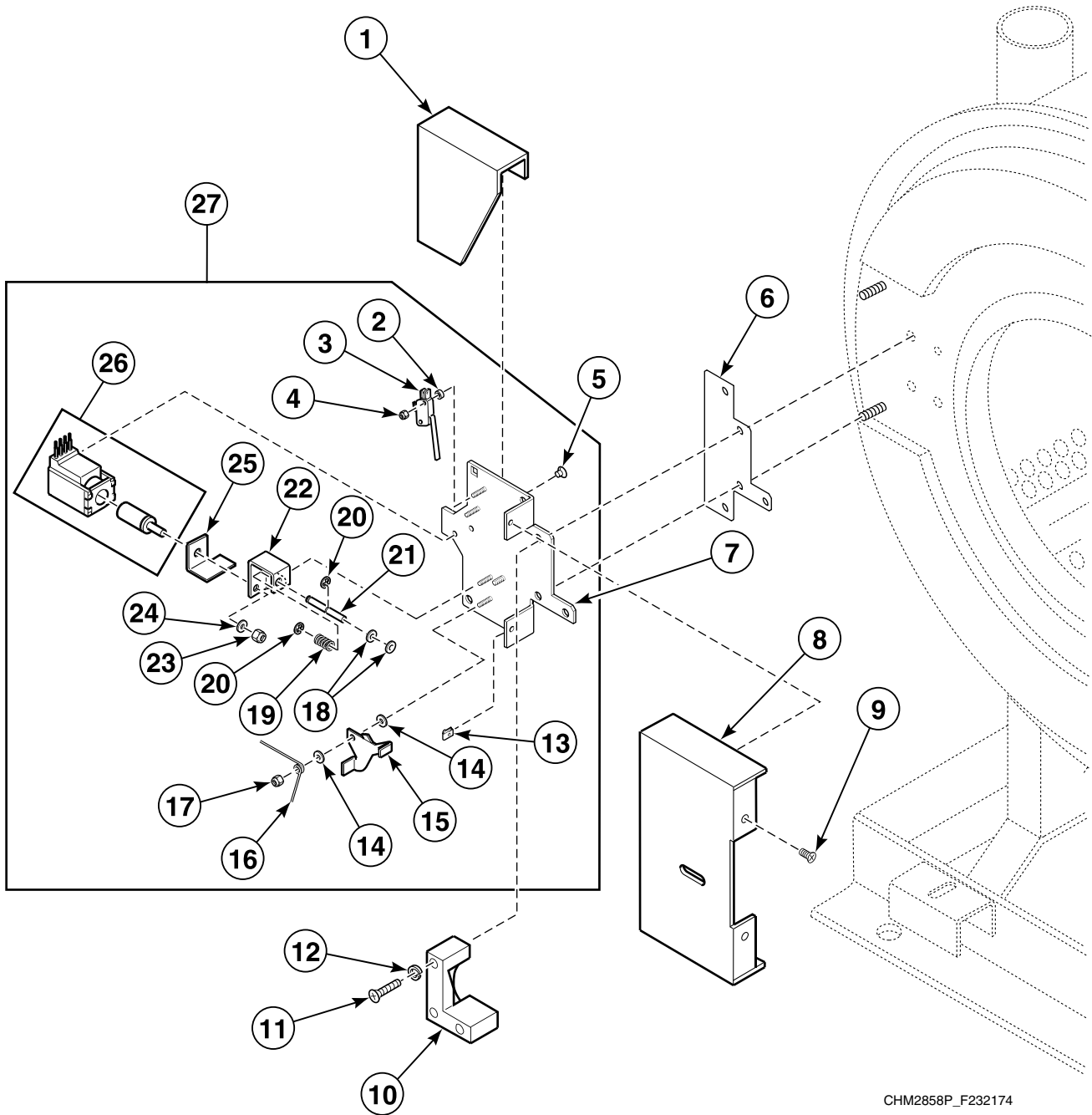


CHM2867P_F232174

Door Lock - MN Models

REF	PART NO.	DESCRIPTION	COMMENTS
	F605386-7P	Door Lock Assembly	Models SC18MN3, SC35MN3, UC18MN3 and UC35MN3; 120 Volt; With L-catch; Includes wire harness and items 1-7, 9, 11, 19, 20 and 23-25
	F605386-8P	Door Lock Assembly	Models SC50MN3 and UC50MN3; 120 Volt; With L-catch; Includes wire harness and items 1-7, 9, 11, 19, 20 and 23-25
	F605386-13	Door Lock Assembly	Models SC18MN3, SC35MN3, UC18MN3 and UC35MN3; 220 Volt; With L-catch; Includes wire harness and items 1-7, 9, 11, 19, 20 and 23-25
	F605386-14P	Door Lock Assembly	Models SC50MN3 and UC50MN3; 220 Volt; With L-catch; Includes wire harness and items 1-7, 9, 11, 19, 20 and 23-25
1	F430232	Nut	
2	F431902	Washer	
3	F431123	Washer	
4	F300128P	Door Release Solenoid	110-220 Volt DC
5	F430225	Nut	
6	F340919	Door Lock Microswitch	
7	F431901	Spacer	
8	F320200	Door Lock Splash Shield	
9	F430977	Screw	
10	F603185	Door Lock Plate Shim	Use as needed
11	F633734	Door Lock Plate Sub-Assembly	
12	F603003	Door Lock Assembly Cover	
13	F430174	Screw	
14	F431100	Washer	
15	F602567	Door Lock Plate Cover	
16	F430925	Screw	
17	F150261	Door Lock Catch Casting	L-catch
	F150223	Door Lock Catch	I-catch
18	F430983	Screw	Models SC18MN3 and UC18MN3
	F430982	Screw	Models SC35MN3, SC50MN3, UC35MN3 and UC50MN3
19	F310110	Door Lock Torsion Spring	
20	F605381	Door Lock Lever	
21	F430215	Nut	
22	F0300131-00P	Door Lock Solenoid	240 Volt AC
23	F431903	Washer	
24	F605382	Pushbutton Stop	
25	F430220	Nut	

Door Lock - PN and SN Models

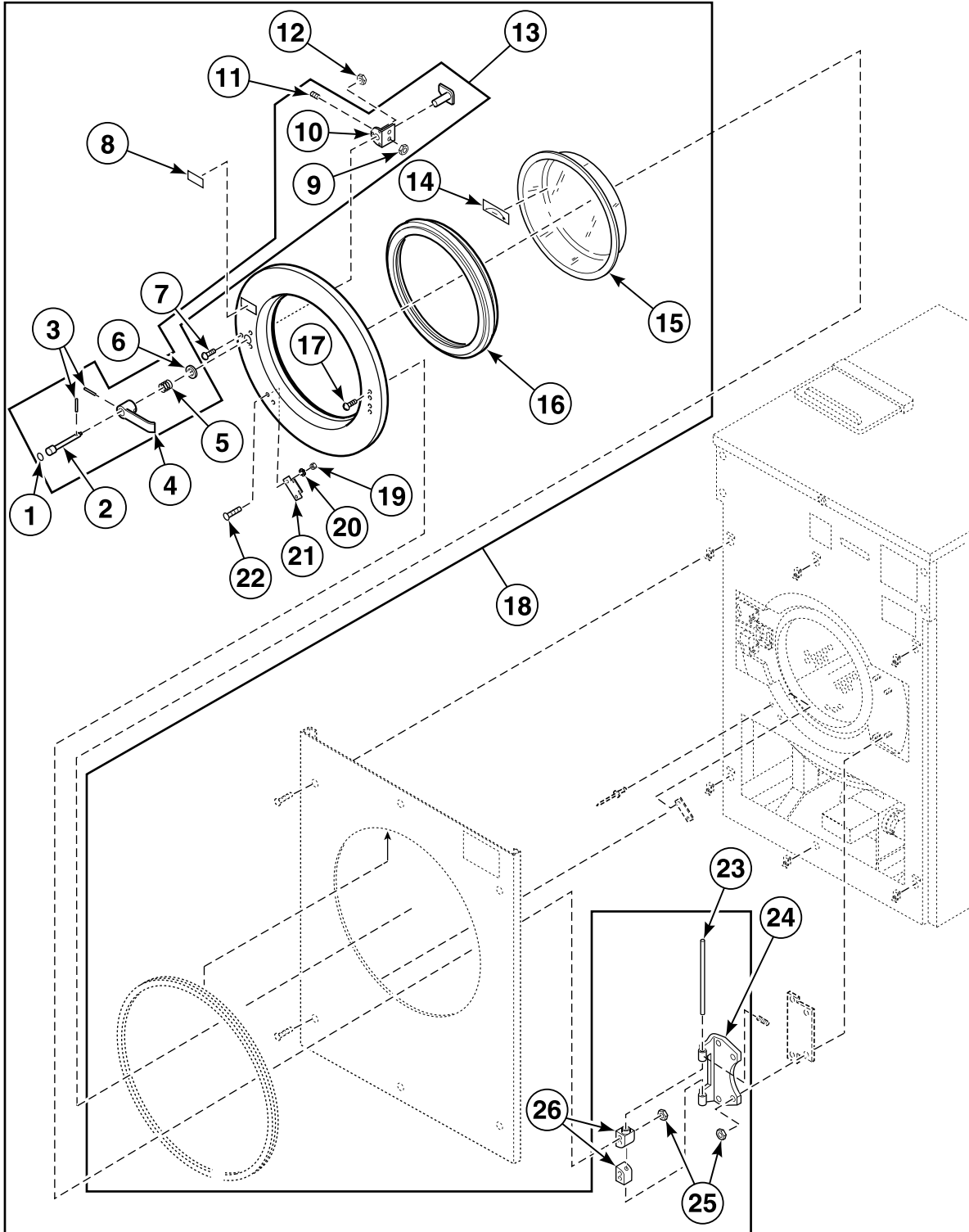


CHM2858P_F232174

Door Lock - PN and SN Models

REF	PART NO.	DESCRIPTION	COMMENTS
1	F320200	Door Lock Splash Shield	
2	F431901	Spacer	Nylon
3	F200203200	Door Lock Microswitch	
4	F430225	Nut	Nylon
5	F430977	Screw	
6	F8059701	Door Lock Plate Shim	
7	F8066701	Door Lock Plate Assembly	
8	F603003	Door Lock Assembly Cover	
9	F430956	Screw	
10	F150261	Door Lock Catch Casting	
11	F430982	Screw	
12	F431100	Washer	
13	F430264	Nut	
14	F431902	Washer	
15	F0636636-00	Door Lock Switch Lever	
16	F310110	Door Lock Torsion Spring	
17	F430232	Nut	Nylon
18	F431147	Washer	
19	F310137	Door Lock Pin Release Spring	
20	F310205	E-Ring Retainer	
21	F431231	Door Locking Linkage Pin	
22	F150455	Door Lock Pin Linkage	
23	F431017	Nut	
24	F431123	Washer	
25	F0636103-00	Door Lock Retainer Latch	
26	F300128P	Door Release Solenoid	120 Volt
	F0300131-00P	Door Lock Solenoid	220 Volt
27	F0798839-00	Door Lock Kit	120 Volt; Includes items 2-5, 7 and 13-26
	F0798839-01	Door Lock Kit	220 Volt; Includes items 2-5, 7 and 13-26

Door



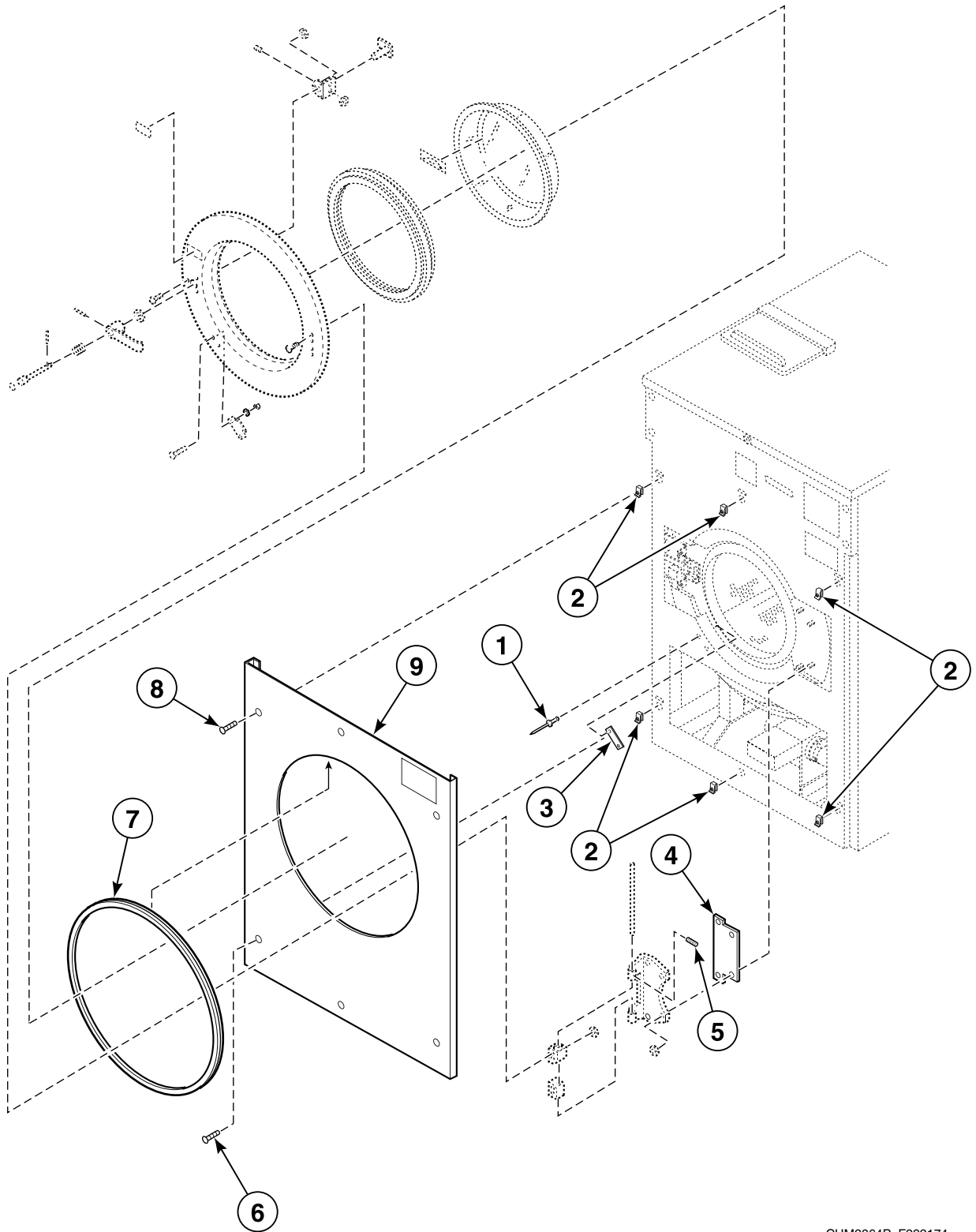
CHM2863P_F232174

Door

REF	PART NO.	DESCRIPTION	COMMENTS
1	F230662	Red Dot Decal	
2	F320300	Pushbutton Rod	
3	F431222	Spring Pin	
4	F150225	Door Handle	
5	F310125	Door Lock Spring	
6	F431907	Washer	
7	F430976	Screw	
8	F230661	Push Red Button Decal	
9	F431041	Nut	
10	F0150273-00	Door Spacer	
11	F430532	Screw	SC18 and UC18 models
	F430533	Screw	SC35, SC50, UC35 and UC50 models
12	F430232	Nut	
13	F730155	Door Handle Kit	Includes items 1-6 and 9-11
14	F230693	Counterclockwise Spin Rotation Decal	
15	F290205P	Door Glass Kit	SC18 and UC18 models
	F290207P	Door Glass Kit	SC35 and UC35 models
	F290208P	Door Glass	SC50 and UC50 models
16	F200000201	Door Gasket	SC18 and UC18 models; F8142701 Adhesive required for installation
	F8111601	Door Gasket	SC35 and UC35 models; F8142701 Adhesive required for installation
	F8111501	Door Gasket	SC50 and UC50 models; F8142701 Adhesive required for installation
	F8142701	Adhesive	Required for installation of door gasket
17	F430906	Screw	
18	F604079-3	Door Assembly	Includes items 1-26; SC18 and UC18 models
	F604079-1	Door Assembly	Includes items 1-26; SC18 and UC18 PC models
	F604079-2	Door Assembly	Includes items 1-26; SC18 and UC18 PN and SN models
	F604079-4	Door Assembly	Includes items 1-26; SC18 and UC18 coin models
	F604079-5	Door Assembly	Includes items 1-26; SC18 and UC18 MN models
	F603239-3	Door Assembly	Includes items 1-26; SC35 and UC35 models
	F603239-1	Door Assembly	Includes items 1-26; SC35 and UC35 PC models
	F603239-2	Door Assembly	Includes items 1-26; SC35 and UC35 PN and SN models
	F603239-4	Door Assembly	Includes items 1-26; SC35 and UC35 coin models
	N/A	Door Assembly	Includes items 1-26; SC35 and UC35 MN models
	F603901-6	Door Assembly	Includes items 1-26; SC50 and UC50 models
	F603901-4	Door Assembly	Includes items 1-26; SC50 and UC50 PC and mechanical timer coin models
	F603901-5	Door Assembly	Includes items 1-26; SC50 and UC50 MN, PN and SN models
19	F431022	Nut	
20	F431113	Washer	
21	F340703	Magnet	
22	J1111905	Blind Rivet	
23	F602813-2	Rod	
24	F190216P	Door Hinge	
25	F430215	Nut	
26	F150271	Door Mount	

N/A = Part no longer available

Outer Front Panel



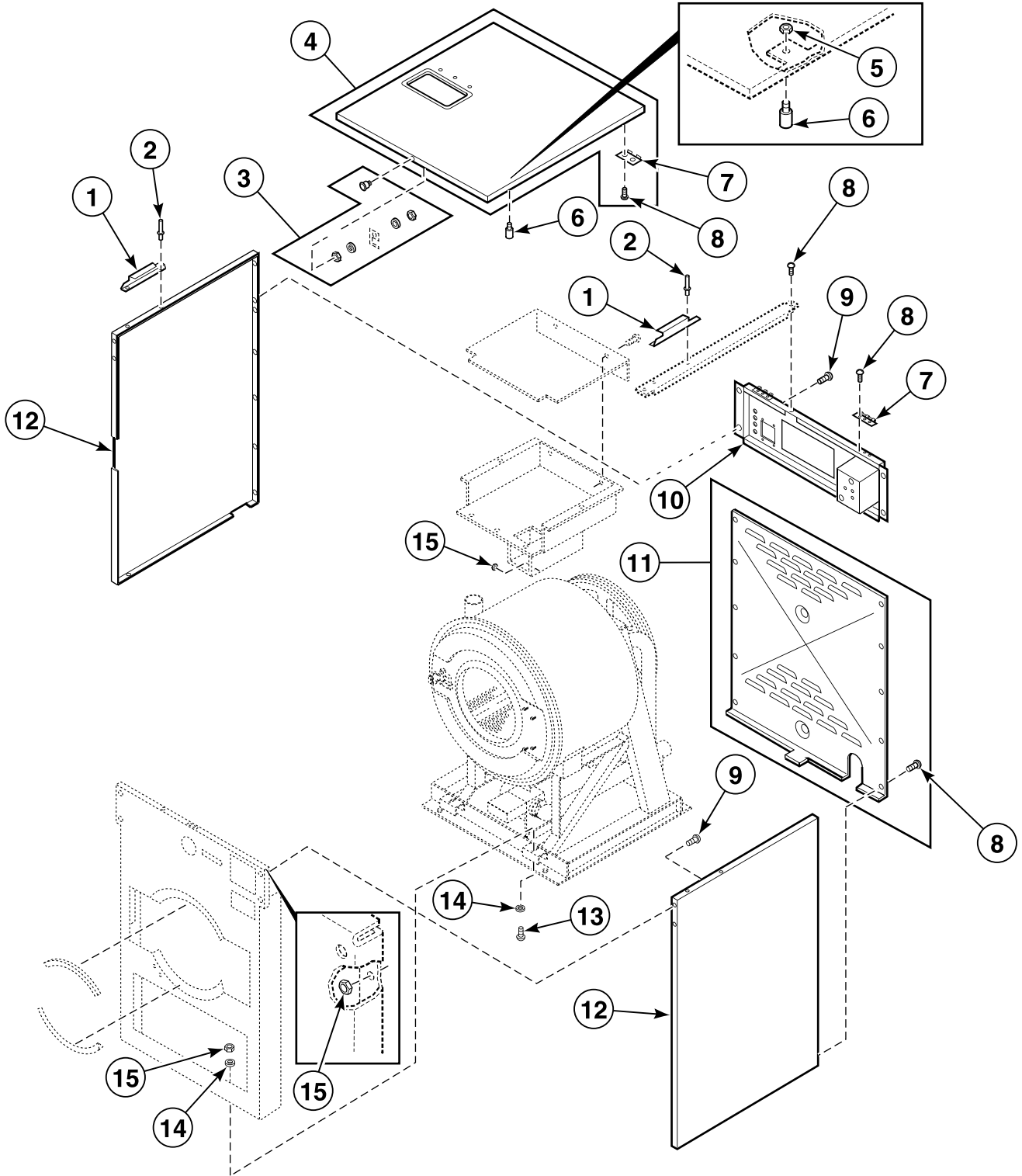
CHM2864P_F232174

Outer Front Panel

REF	PART NO.	DESCRIPTION	COMMENTS
1	F432293	Screw	
2	F430264	Nut	
3	F340702	Magnetic Position Switch	
4	F200131000P	Door Hinge Shim Kit	
5	F430536	Screw	
6	F432293	Screw	
7	F015050100P	Trim	
8	F430986	Screw	
9	F757440	Front Panel Kit	Stainless steel; SC18 and UC18 MN, PN and SN models
	F757406	Front Panel Kit	Stainless steel; SC18 and UC18 coin models
	N/A	Front Panel Kit	Almond ; SC18 and UC18 MN, PN and SN models
	N/A	Front Panel Kit	Almond; SC18 and UC18 coin models
	N/A	Front Panel Kit	White; SC18 and UC18 MN, PN and SN models
	N/A	Front Panel Kit	White; SC18 and UC18 coin models
	F757450	Front Panel Kit	Stainless steel; SC35 and UC35 MN, PN and SN models
	F757419	Front Panel Kit	Stainless steel; SC35 and UC35 coin models
	N/A	Front Panel Kit	Almond; SC35 and UC35 MN, PN and SN models
	N/A	Front Panel Kit	Almond; SC35 and UC35 coin models
	N/A	Front Panel Kit	White; SC35 and UC35 MN, PN and SN models
	N/A	Front Panel Kit	White; SC35 and UC35 coin models
	F757455	Front Panel Kit	Stainless steel; SC50 and UC50 MN, PN and SN models
	F757405	Front Panel Kit	Stainless steel; SC50 and UC50 coin models
	N/A	Front Panel Kit	Almond; SC50 and UC50 MN, PN and SN models
	N/A	Front Panel Kit	Almond; SC50 and UC50 coin models
	N/A	Front Panel Kit	White; SC50 and UC50 MN, PN and SN models
	N/A	Front Panel Kit	White; SC50 and UC50 coin models

N/A = Part no longer available

Panels (Drawing 1 of 2)

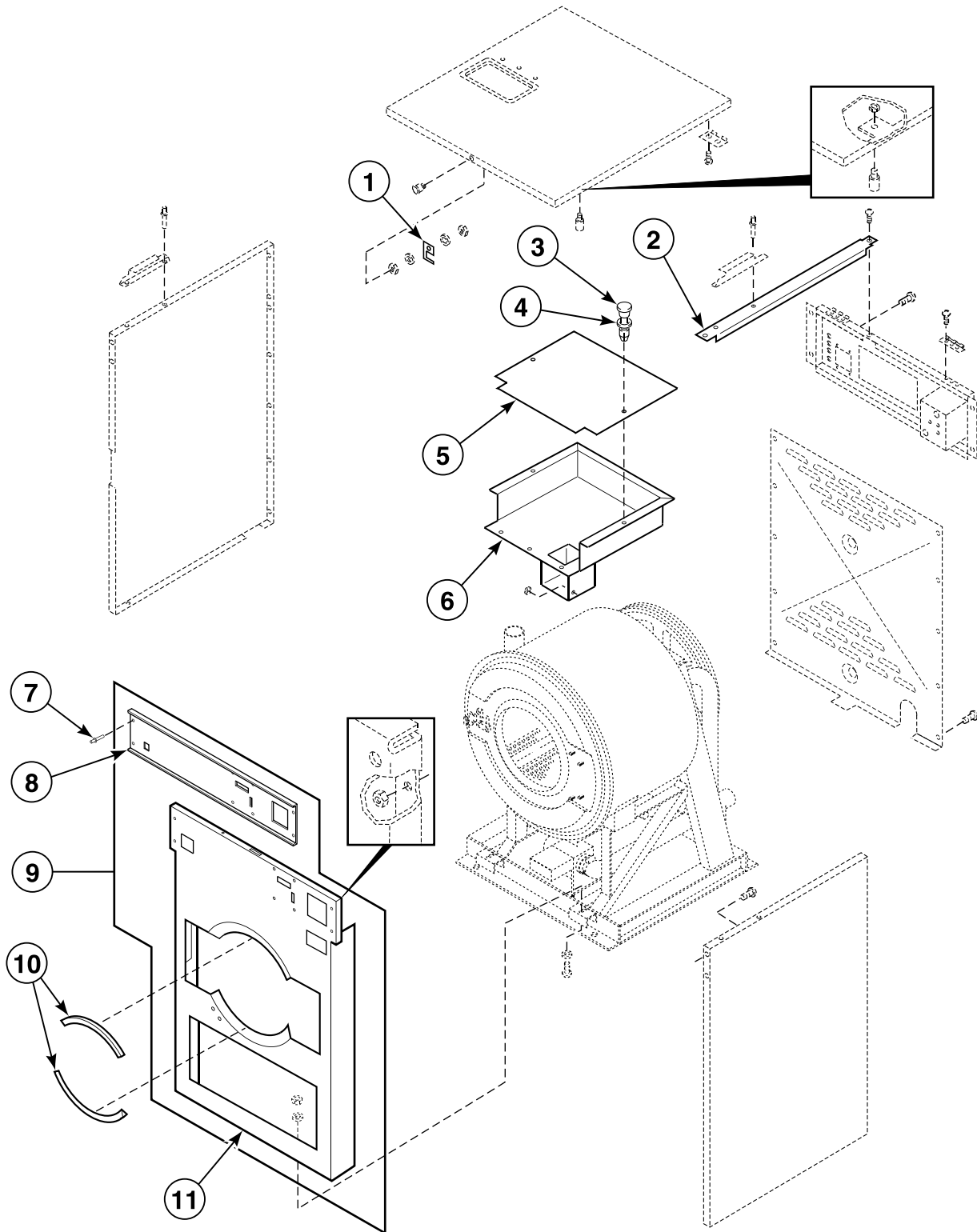


CHM2266P_F232174

Panels (Drawing 1 of 2)

REF	PART NO.	DESCRIPTION	COMMENTS
1	F602722	Mounting Bracket	
2	F431215	Pop Rivet	
3	F190802P	Lid Lock	GR3800
	F160562	Key	GR3800
4	F758003P	Top Cover Kit	SC18 and UC18 models; Includes items 7 and 8
	F758001-01P	Top Cover Kit	SC35 and UC35 models; Includes items 7 and 8
	F758000-01	Top Cover Kit	SC50 and UC50 models; Includes items 7 and 8
5	F430231	Nut	
6	F390300	Stud	
7	F190203P	Take-Apart Hinge	
8	F430174	Screw	
9	F430925	Screw	
10	F633494-1	Valve Panel Sub-Assembly	SC18 and UC18 MC, MD, MH, MN, MV and MX models; Includes items 9 and 15
	F758206	Valve Panel Kit	SC18 and UC18 PC, PN and SN models; Includes items 9 and 15
	F633494-3	Valve Panel Sub-Assembly	SC35 and UC35 MC, MD, MH, MN, MV and MX models; Includes items 9 and 15
	N/A	Valve Panel Kit	SC35 and UC35 PC, PN and SN models; Includes items 9 and 15
	F633494-4	Valve Panel Sub-Assembly	SC50 and UC50 MC, MD, MH, MN, MV and MX models; Includes items 9 and 15
	F758208P	Valve Panel Kit	SC50 and UC50 PC, PN and SN models; Includes items 9 and 15
11	F757000	Rear Panel Kit	SC18 and UC18 models; Includes item 8
	F757003	Rear Panel Kit	SC35 and UC35 models; Includes item 8
	F757002	Rear Panel Kit	SC50 and UC50 models; Includes item 8
12	F0636136-00P	Left Side Panel	SC18 and UC18 models; Stainless steel
	F0636135-00P	Right Side Panel	SC18 and UC18 models; Stainless steel
	F8157401	Left Side Panel	SC18 and UC18 models; Vinyl
	F8157301	Right Side Panel	SC18 and UC18 models; Vinyl
	F634499-1	Left Side Panel	SC35 and UC35 models; Stainless steel
	F634500-1	Right Side Panel	SC35 and UC35 models; Stainless steel
	F8166301	Left Side Panel	SC35 and UC35 models; Vinyl
	F8159601	Right Side Panel	SC35 and UC35 models; Vinyl
	F0636299-00	Side Panel	Left; SC50 and UC50 models; Stainless steel
	F634396-1P	Right Side Panel	SC50 and UC50 models; Stainless steel
	F8159901	Left Side Panel	SC50 and UC50 models; Vinyl
F8160001	Right Side Panel	SC50 and UC50 models; Vinyl	
13	F430108	Screw	
14	F430317	Washer	
15	F430215	Nut	

Panels (Drawing 2 of 2)



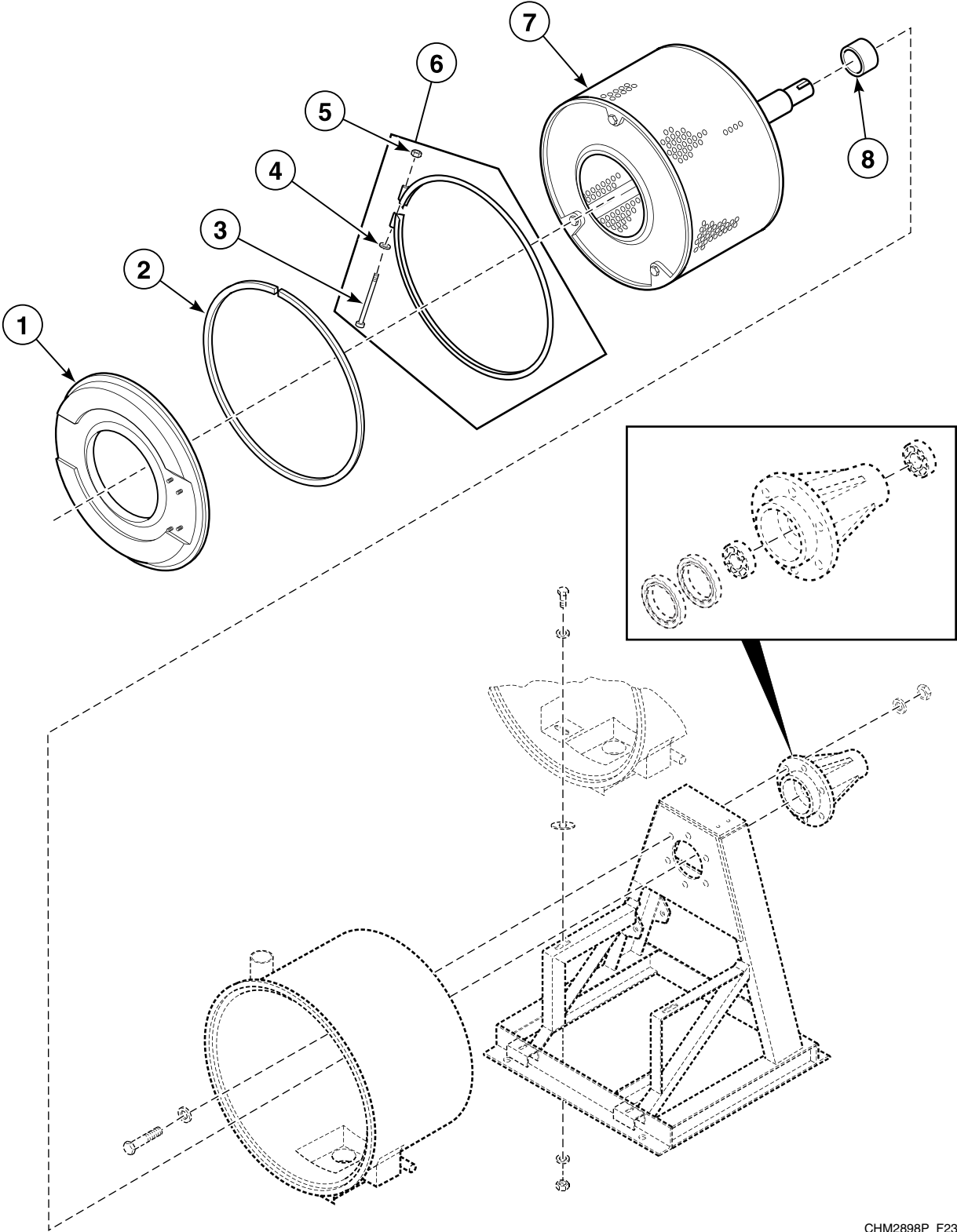
CHM2062P_F232174

Panels (Drawing 2 of 2)

REF	PART NO.	DESCRIPTION	COMMENTS
1	F602753	Top Cover Latch	
2	F602620	Top Brace	SC18 and UC18 models
	F603014	Top Brace	SC35 and UC35 models
	F603227	Top Brace	SC50 and UC50 models
3	F432005	Rivet	
4	F170607	Grommet	
5	F602961	Module Cover	
6	F602694	Electrical Box Assembly	
7	F431210	Pop Rivet	
8	F150326	Extrusion Panel	SC18 and UC18 PC, PN and SN models
	N/A	Extrusion Panel	SC35 and UC35 PC, PN and SN models
	F150325	Extrusion Panel	SC50 and UC50 PC, PN and SN models
9	F757206	Inner Front Panel Kit	Includes item 8; SC18 and UC18 PC, PN and SN models
	F757202	Inner Front Panel Kit	Includes item 8; SC35 and UC35 PC, PN and SN models
	F757201	Inner Front Panel Kit	Includes item 8; SC50 and UC50 PC, PN and SN models
10	F170401P	Gasket	
11	F757207	Inner Front Panel Kit	SC18 and UC18 MC, MD, MH, MN, MV and MX models
	F757203	Inner Front Panel Kit	SC35 and UC35 MC, MD, MH, MN, MV and MX models
	F757200	Inner Front Panel Kit	SC50 and UC50 MC, MD, MH, MN, MV and MX models

N/A = Part no longer available

Basket, Shell, Frame and Trunnion (Drawing 1 of 2)

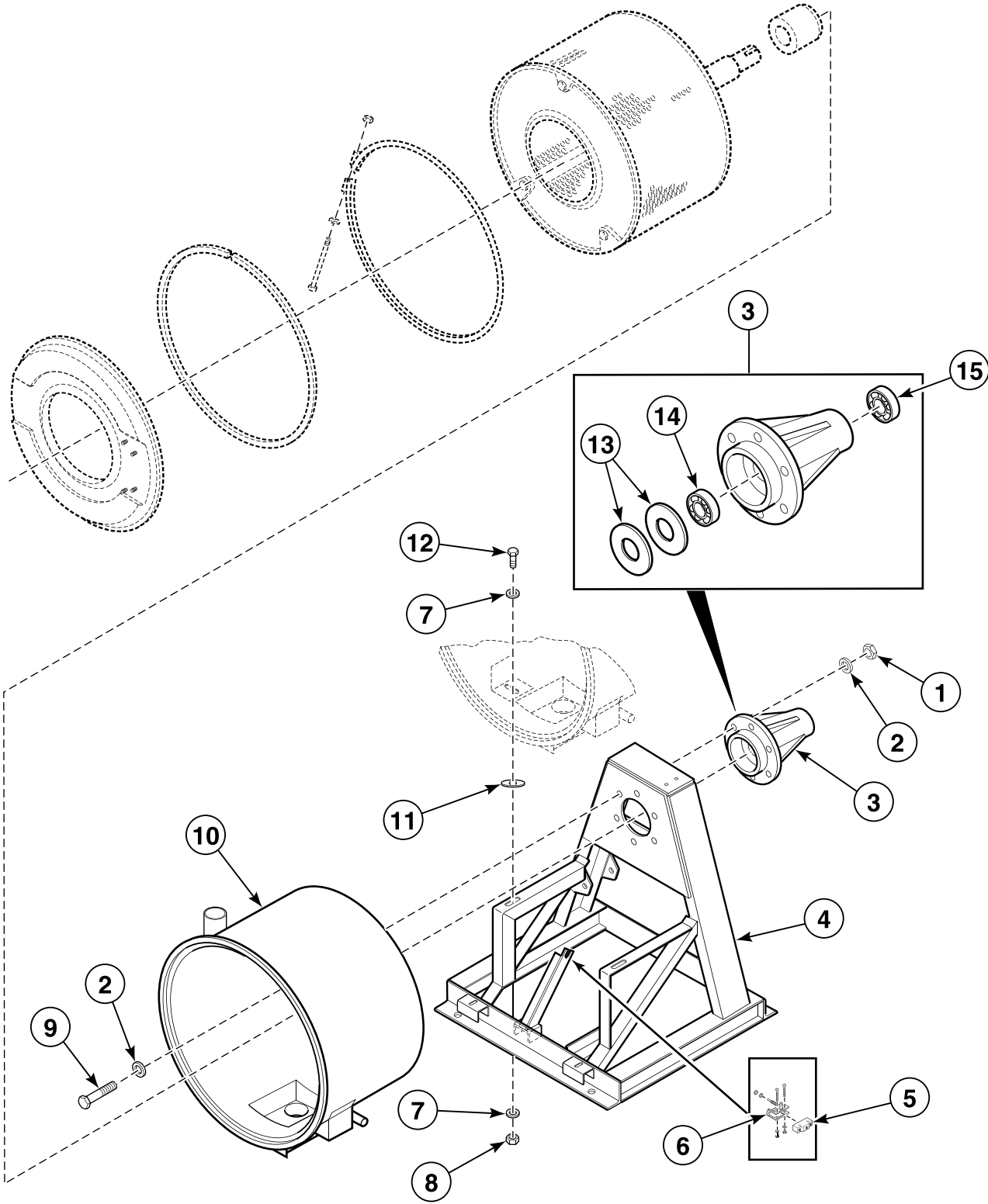


CHM2898P_F232174

Basket, Shell, Frame and Trunnion (Drawing 1 of 2)

REF	PART NO.	DESCRIPTION	COMMENTS
1	F741300P	Shell Front Kit	SC18 and UC18 models
	F741301-01	Shell Front Kit	SC35 and UC35 models
	F741302-01	Shell Front Kit	SC50 and UC50 models
2	F792000	Shell Front Gasket Kit	
3	F430500	Screw	
4	F430317	Washer	
5	F430215	Nut	
6	F741700	Shell Band Kit	SC18 and UC18 models; Includes items 3-5
	F741701	Shell Band Kit	SC35 and UC35 models; Includes items 3-5
	F741702	Shell Band Kit	SC50 and UC50 models; Includes items 3-5
7	F8123501	Basket Assembly	SC18 and UC18 models
	F605726	Basket Assembly	SC35 and UC35 models
	F605951	Basket Assembly	SC50 and UC50 models
8	F8114302	Shaft Seal Sleeve	SC18 and UC18 models
	F200215600	Shaft Seal Sleeve	SC35 and UC35 models
	F8114305	Shaft Seal Sleeve	SC50 and UC50 models

Basket, Shell, Frame and Trunnion (Drawing 2 of 2)

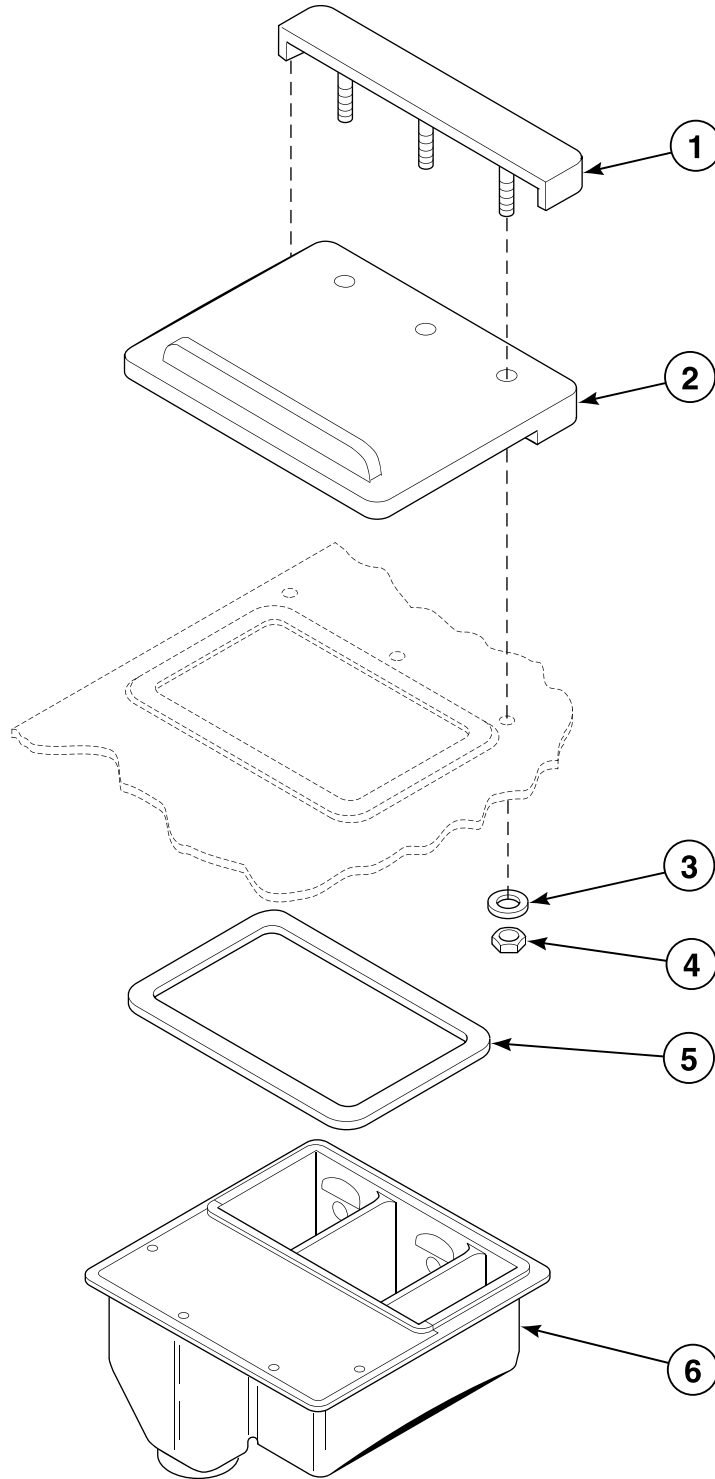


CHM2899P_F232174

Basket, Shell, Frame and Trunnion (Drawing 2 of 2)

REF	PART NO.	DESCRIPTION	COMMENTS
1	F430239	Nut	SC18 and UC18 models
	F430240	Nut	SC35, SC50, UC35 and UC50 models
2	F431128	Washer	SC18 and UC18 models
	F431131	Washer	SC35, SC50, UC35 and UC50 models
3	F747001	Trunnion Kit	Includes items 1, 2, 9, 13-15 and F792000 Shell Front Gasket Kit; SC18 and UC18 models
	F747003	Trunnion Kit	Includes items 1, 2, 9, 13-15 and F792000 Shell Front Gasket Kit; SC35 and UC35 models
	F747005	Trunnion Kit	Includes items 1, 2, 9, 13-15 and F792000 Shell Front Gasket Kit; SC50 and UC50 models
4	F605071	Frame Assembly	SC18 and UC18 models
	F605462	Frame Assembly	SC35 and UC35 models
	F605950	Frame Assembly	SC50 and UC50 models
5	F340901	Door Hinge Switch	SC35, SC50, UC35 and UC50 models
6	F340913	Switch Extension	SC35, SC50, UC35 and UC50 models
7	F430301	Washer	
8	F430218	Nut	
9	F430949	Screw	SC18 and UC18 models
	F430987	Screw	SC35, SC50, UC35 and UC50 models
10	F634600	Shell Weldment	SC18 and UC18 models
	F741008	Shell Kit	SC35 and UC35 models; Includes F200142 Air Trap Hose, F430218 Nut, F430303 Washer, F430301 Washer, 800461 Screw, F200205 Hose Clamp (No. 10), F200213 Hose Clamp (No. 40) and F200215 Hose Clamp (No. 28)
	F634644	Shell Weldment	SC50 and UC50 models
11	F430303	Washer	SC50 and UC50 models
12	F430942	Screw	
13	F100242	Shaft Seal	SC18 and UC18 models
	F100240	Shaft Seal	SC35 and UC35 models
	F100241	Shaft Seal	SC50 and UC50 models
14	F100136P	Bearing	6307 2RS C3; SC18 and UC18 models
	F100134	Bearing	6310 2RS C3; SC35, SC50, UC35 and UC50 models
15	F100137	Bearing	6308 2RS C3; SC18, SC35, UC18 and UC35 models
	F100135	Bearing	6313 2RS C3; SC50 and UC50 models

Dispenser

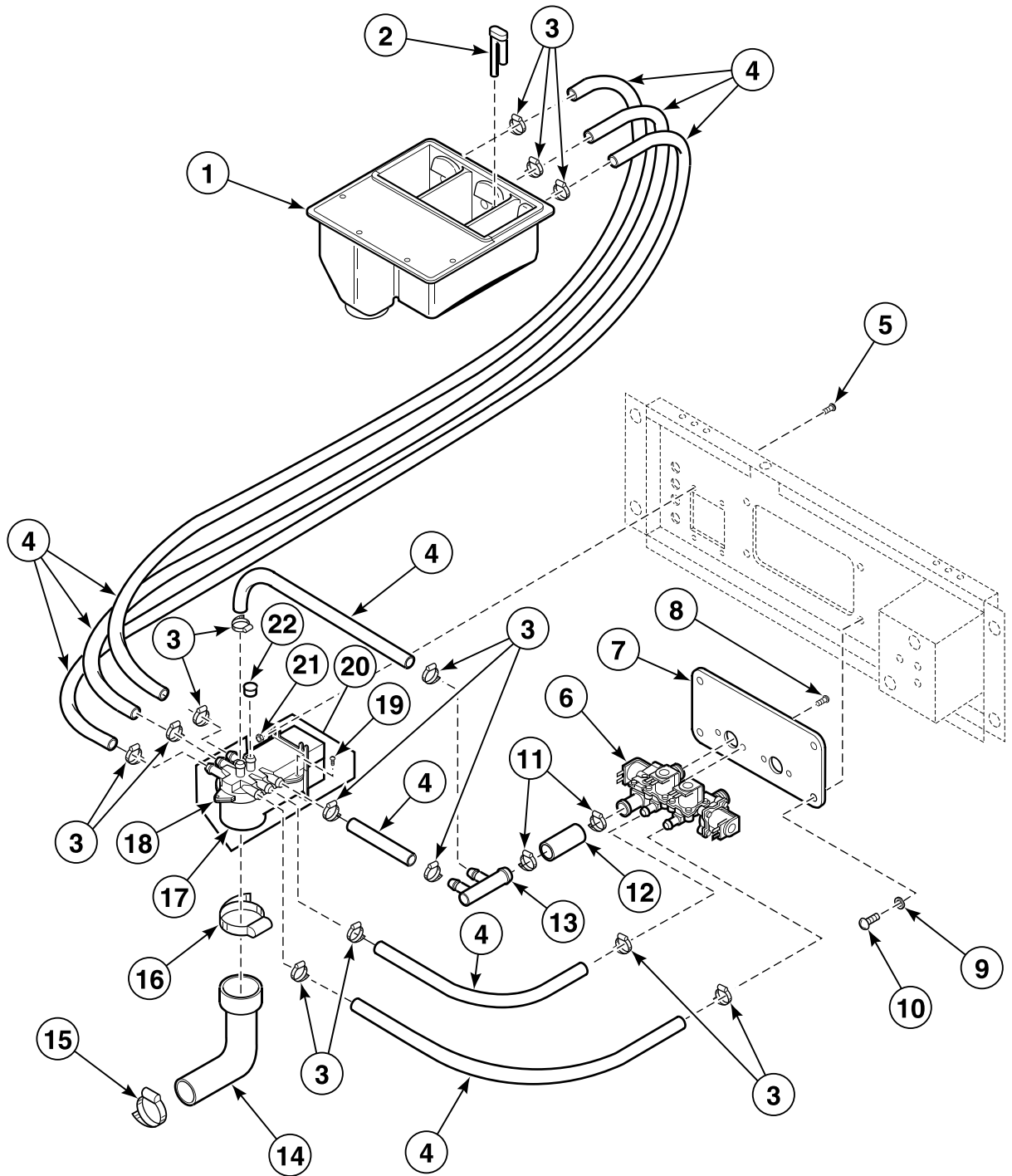


B015P_F232174

Dispenser

REF	PART NO.	DESCRIPTION	COMMENTS
1	F630430	Lid Clamp Assembly	
2	F200270500	Supply Dispenser Lid	
3	F431147	Washer	
4	F431024	Nut	
5	F170170	Supply Dispenser Gasket	
6	F0150505-00	Soap Dispenser Sub-Assembly	Coin models
	F602374-2	Soap Dispenser	OPL models with 4 liquid connectors
	F602374-3	Supply Dispenser	OPL models with 5 liquid connectors

Supply Dispenser Assembly



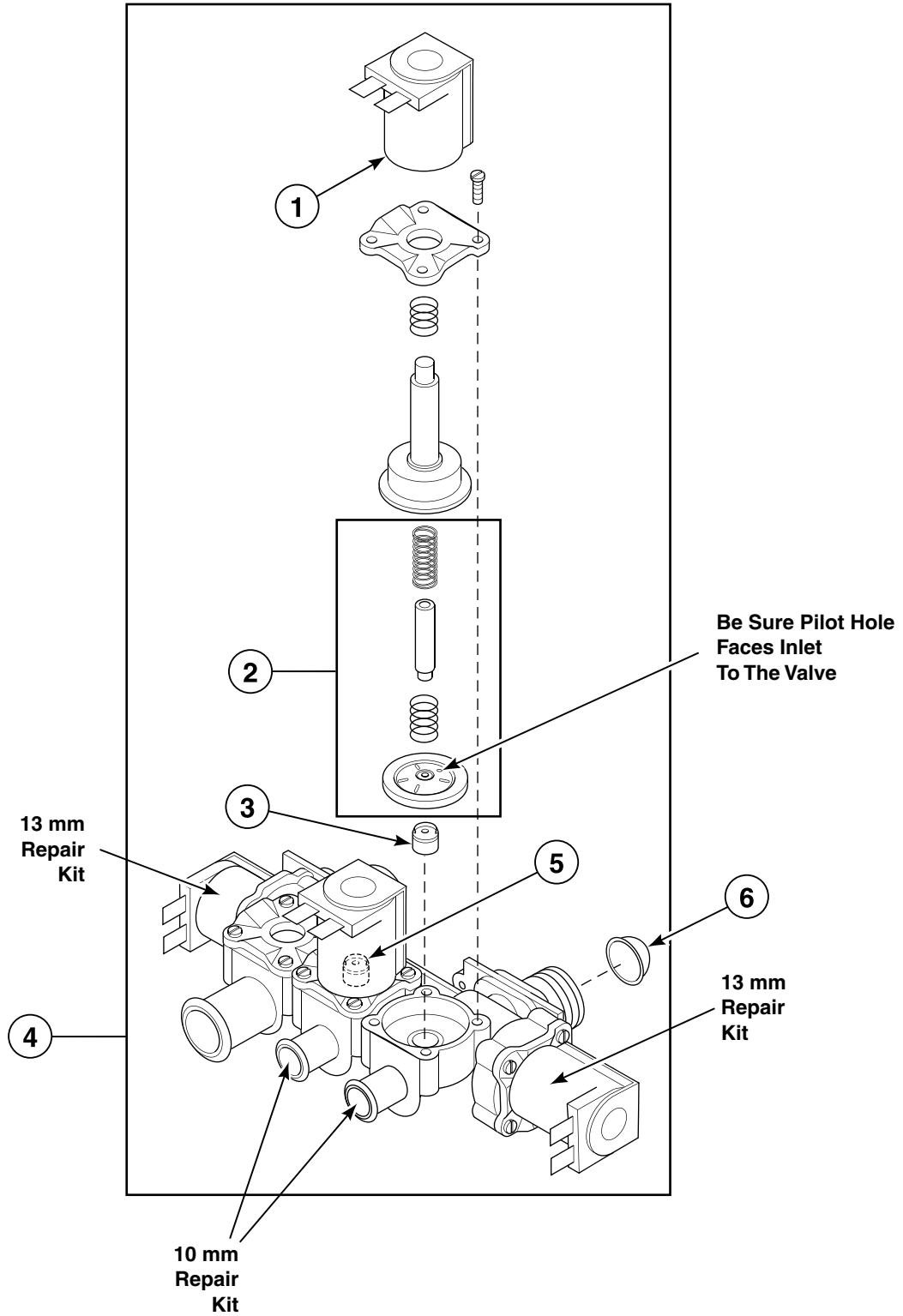
CHM1630P_F232174

Supply Dispenser Assembly

REF	PART NO.	DESCRIPTION	COMMENTS
1	F0150505-00	Soap Dispenser Sub-Assembly	Coin models
	F602374-2	Soap Dispenser	OPL models with 4 liquid connectors
	F602374-3	Supply Dispenser	OPL models with 5 liquid connectors
2	F150390	Siphon Tube	Optional
3	36801	Hose Clamp	No. 6
4	F200108P	Water Hose	
5	F430916	Screw	
6	F730455	3-Way Mixing Valve Kit	Includes F270200 Strainer; 120 Volt
	F730456	3-Way Mixing Valve Kit	Includes F270200 Strainer; 220 Volt
7	F606595	Mounting Plate	
8	F430948	Screw	
9	F430322	Washer	
10	F430929	Screw	
11	F200205	Hose Clamp	No. 10
12	F200128P	Water Hose	
13	F150371	Manifold	
14	F150321	Vacuum Breaker Hose	SC18, SC35, UC18 and UC35 models
	F150340	Vacuum Breaker Hose	SC50 and UC50 models
15	F200213	Hose Clamp	No. 40
16	N/A	Hose Clamp	No. 48
17	F150330	Vacuum Breaker Bottom	
18	F0150329-00	Vacuum Breaker Top	
19	F430177	Screw	
20	F603031	Vacuum Breaker Assembly	Includes items 17-19
21	F430231	Nut	
22	F190301	Cap Plug	

N/A = Part no longer available

3-Way Mixing Valve

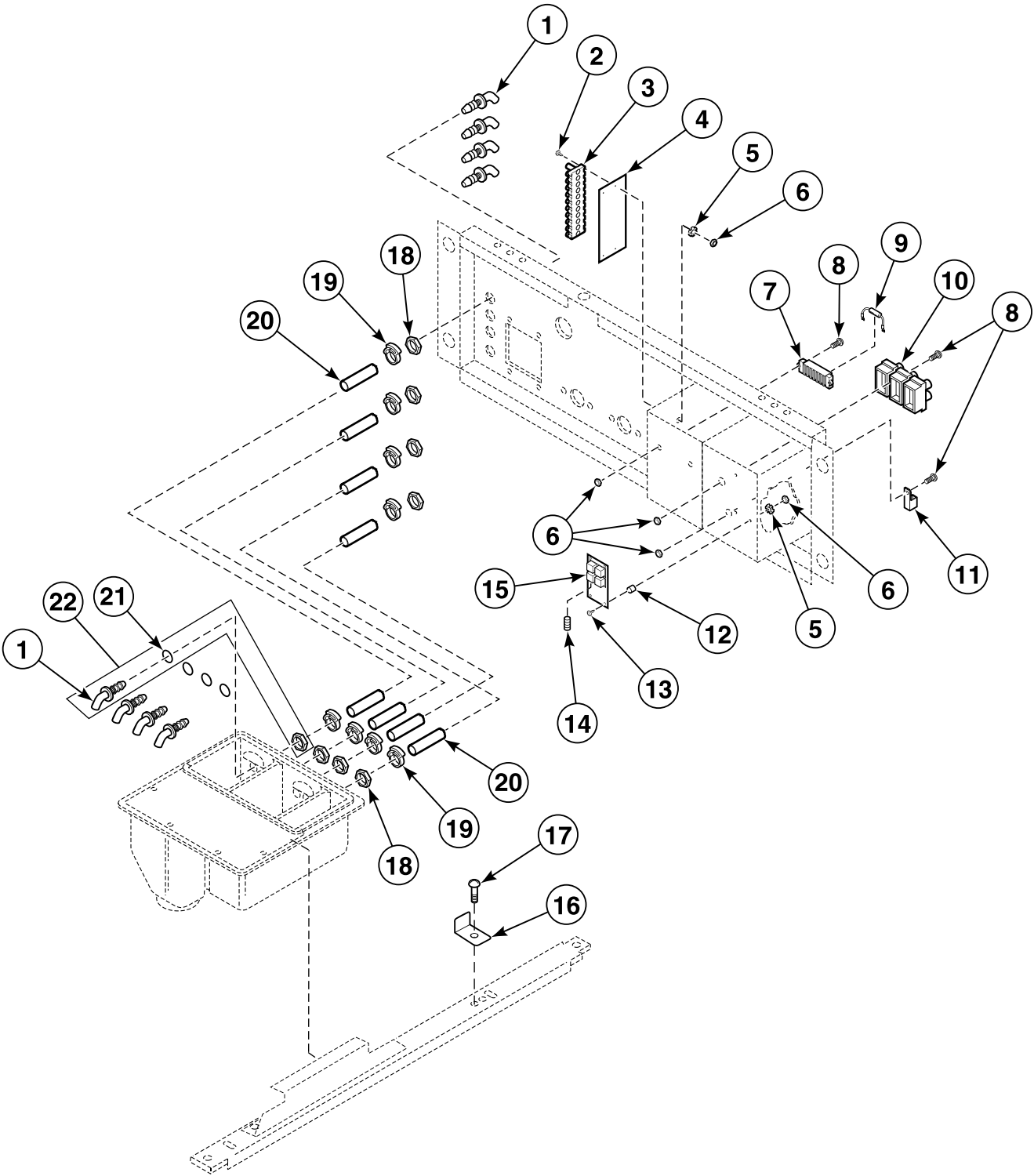


B008P_F232174

3-Way Mixing Valve

REF	PART NO.	DESCRIPTION	COMMENTS
1	F380900	Coil	110-127 Volt
	F380917	Coil	200-240 Volt
2	F380954	Valve Repair Kit	10 mm
	F380939	Valve Repair Kit	13 mm
3	F380958	Flow Restrictor	4 mm
4	F730455	3-Way Mixing Valve Kit	120 Volt
	F730456	3-Way Mixing Valve Kit	220 Volt
5	F380957	Flow Restrictor	2.8 mm
6	F270200	Strainer	

Automatic Supply Dispenser - PN and SN Models

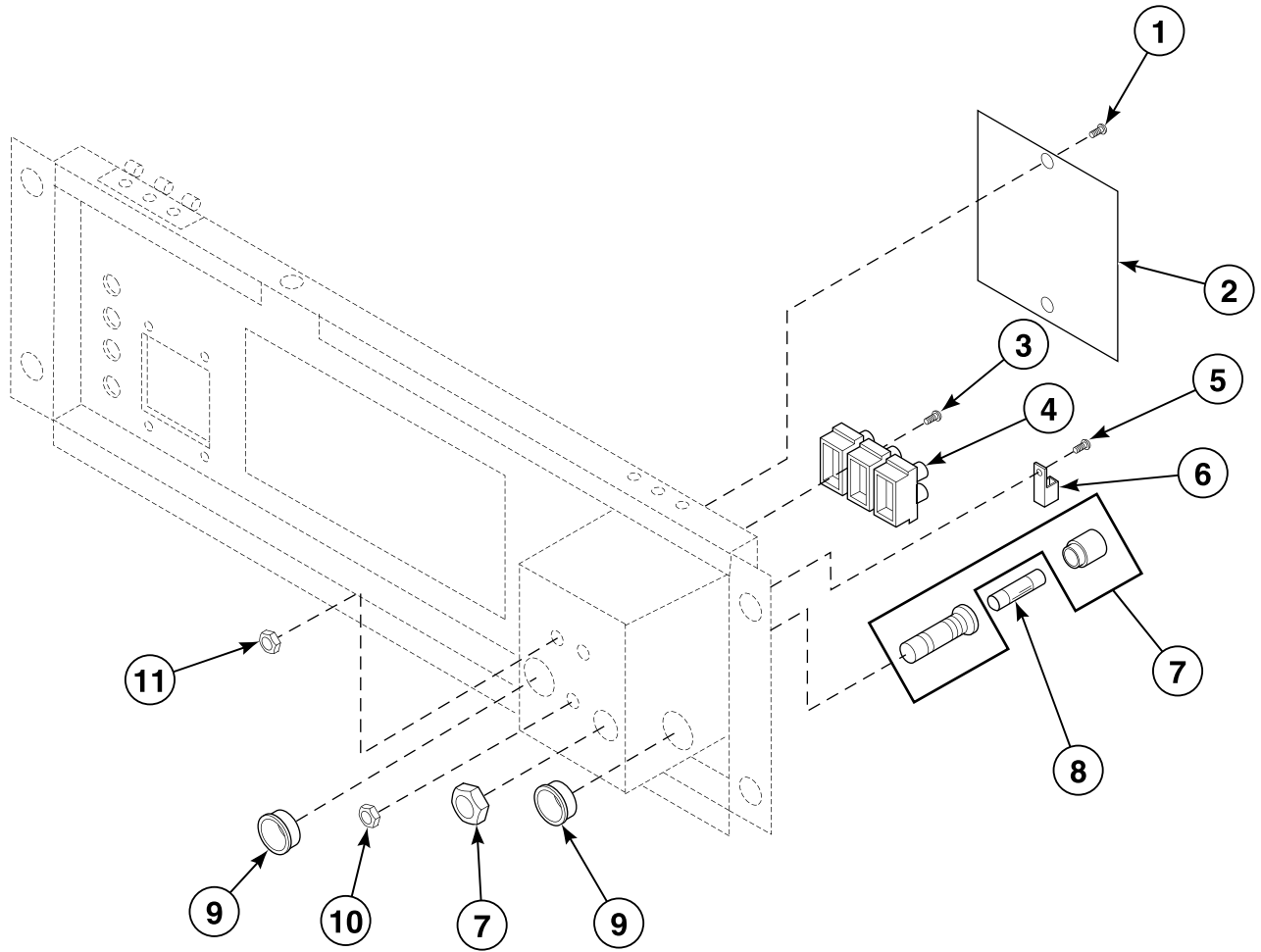


CHM2567P_F232174

Automatic Supply Dispenser - PN and SN Models

REF	PART NO.	DESCRIPTION	COMMENTS
1	F380300	Injection Nozzle	
2	F430916	Screw	
3	F140738	Terminal Strip	
4	F230764	External Supply Decal	
5	F431113	Washer	
6	F431022	Nut	
7	F140766	Terminal	8 pole
	F140738	Terminal Strip	8 pole x 2
8	F431701	Screw	
9	F370117	Resistor	120 Volt
	F370116	Resistor	220 Volt
10	F140748	Input Power Block	2 terminal
	F140747	Input Power Block	3 terminal
	F140746	Input Power Block	4 terminal
11	F140734	Ground Terminal Lug	
12	F431911	Spacer	
13	F430917	Screw	
14	F350115	Fuse	
15	F0350312-10	Fuse Holder	
16	F606516	Supply Hose Bracket	
17	F430174	Screw	
18	802292	Nut	
19	F200206	Hose Clamp	No. 4
20	F200168P	Tubing	
21	F170208	O-Ring	
22	F730168	Injection Nozzle Kit	Includes items 1, 18 and 21

Power Panel Assembly

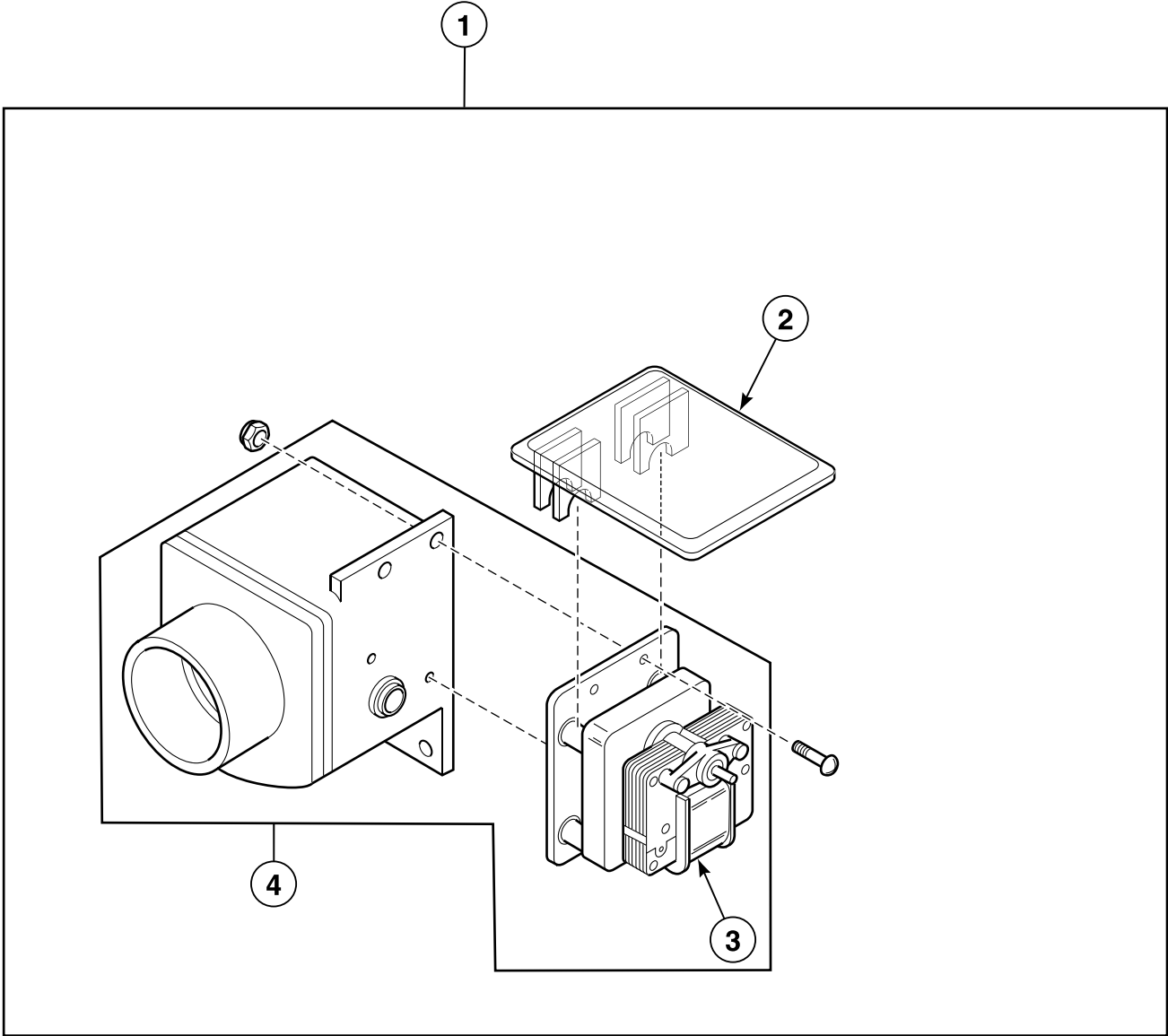


B060PE3B_F232174

Power Panel Assembly

REF	PART NO.	DESCRIPTION	COMMENTS
1	F430174	Screw	
2	F602533	Input Power Connection Box Cover	
3	F430938	Screw	
4	F140747	Input Power Block	3 terminal
	F140746	Input Power Block	4 terminal
5	F430903	Screw	
6	F140734	Ground Terminal Lug	
7	F350304P	Fuse Holder	
8	F350104	Fuse	
9	F140909	Insulator Bushing	
10	F430232	Nut	
11	F430231	Nut	

Drain Valve Assembly - SC18, SC35, UC18 and UC35 Models

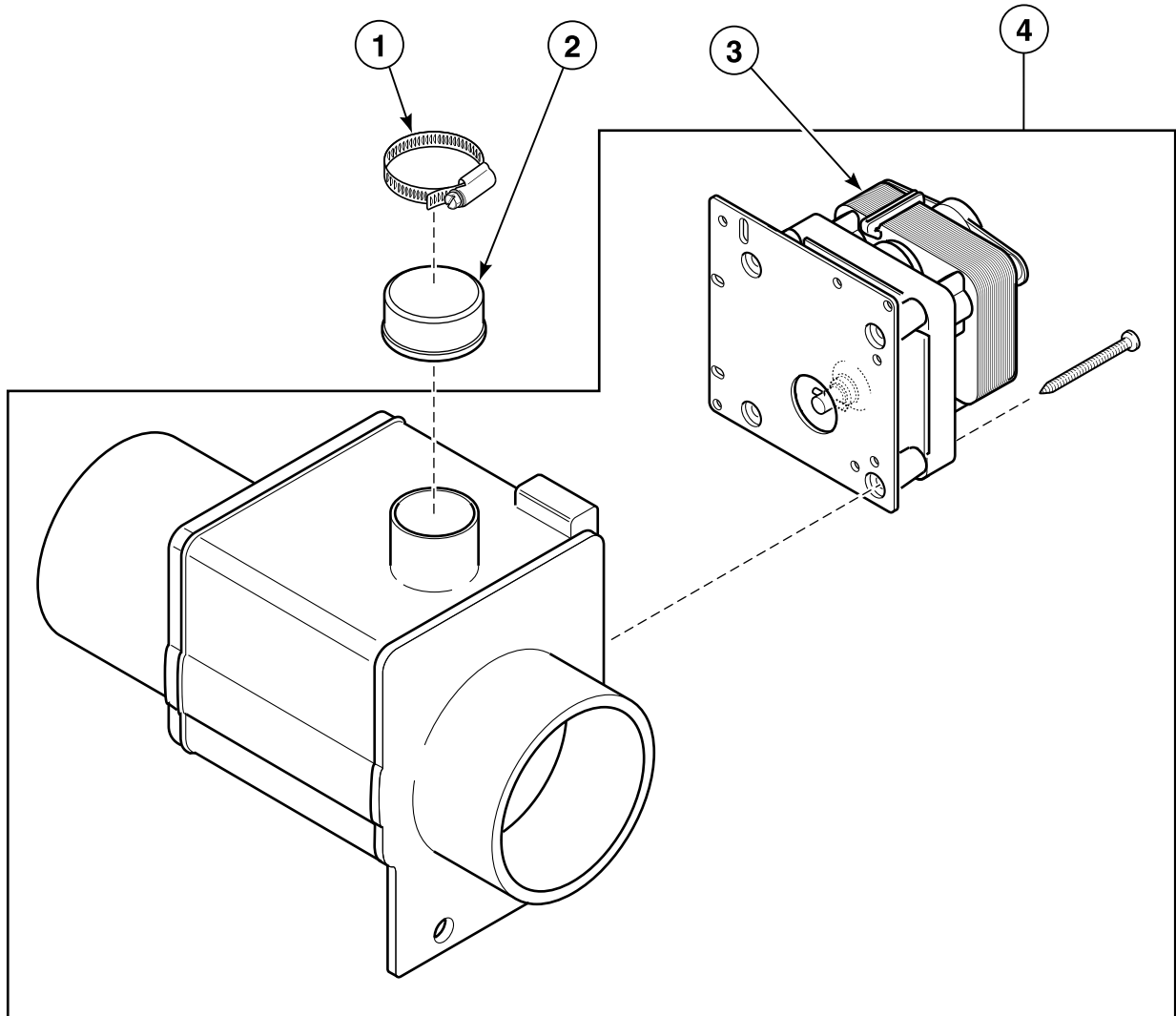


CHM2450P_F232174

Drain Valve Assembly - SC18, SC35, UC18 and UC35 Models

REF	PART NO.	DESCRIPTION	COMMENTS
1	F602920	Drain Valve Assembly	120 Volt; Includes all items on the page
	F603175	Drain Valve Assembly	220 Volt; Includes all items on the page
2	F200133600	Drain Valve Cover	
3	F380932P	Drain Valve Motor	Round shaft; 120 Volt
	F380933P	Drain Valve Motor	Round shaft; 220 Volt
	F380943P	Drain Motor	Keyed shaft; 120 Volt
	G159764P	Drain Valve Motor and Gear Box Assembly	Keyed shaft; 220 Volt
	F380972P	Drain Valve Motor	Keyed shaft; 240 Volt
4	F380618	Drain Valve	120 Volt; Includes item 3
	F380619	Drain Valve	220 Volt; Includes item 3

Drain Valve Assembly - SC50 and UC50 Models

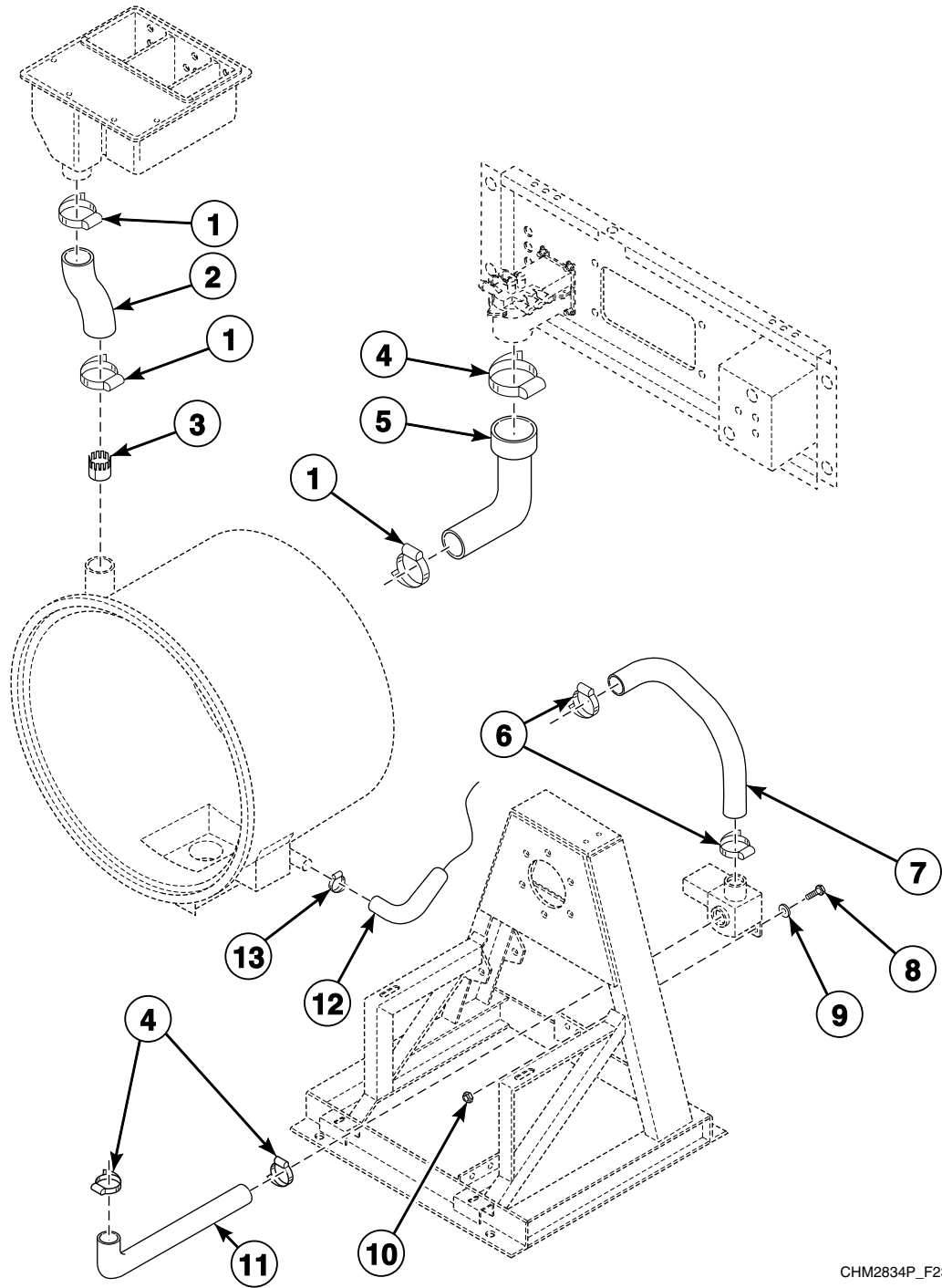


CHM2134P_F232174

Drain Valve Assembly - SC50 and UC50 Models

REF	PART NO.	DESCRIPTION	COMMENTS
1	F200215	Hose Clamp	No. 28
2	F150352	Overflow Plug	
3	F380932P	Drain Valve Motor	Round shaft; 120 Volt
	F380933P	Drain Valve Motor	Round shaft; 220 Volt
	F380943P	Drain Motor	Keyed shaft; 120 Volt
	G159764P	Drain Valve Motor and Gear Box Assembly	Keyed shaft; 220 Volt
	F380972P	Drain Valve Motor	Keyed shaft; 240 Volt
4	F038062800	Drain Valve	120 Volt; Includes item 3 and the attaching screw
	F038062900	Drain Valve	220 Volt; Includes item 3 and the attaching screw

Drain Assembly, Hoses and Air Trap - SC50 and UC50 Models With Heat Shell



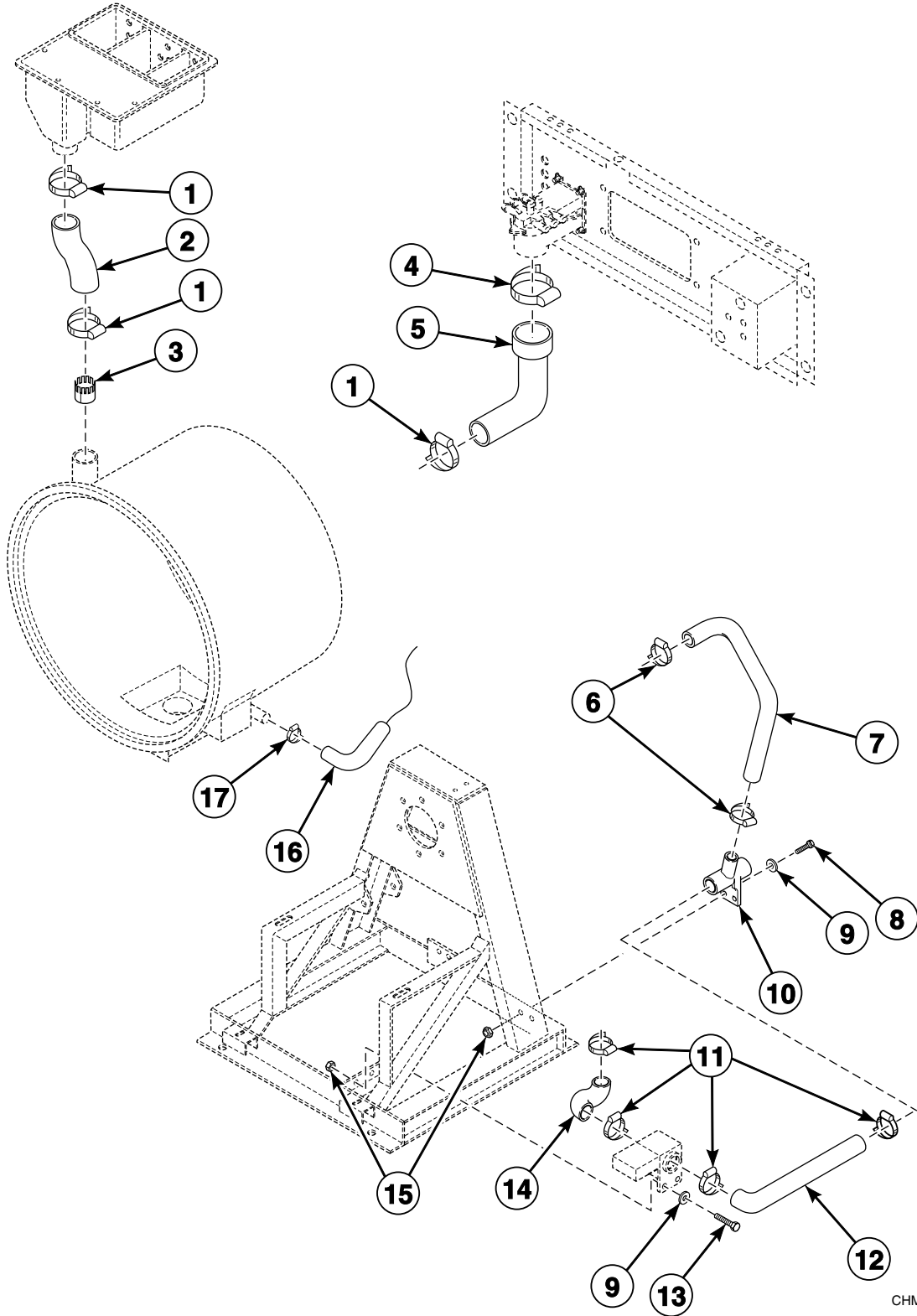
CHM2834P_F232174

Drain Assembly, Hoses and Air Trap - SC50 and UC50 Models With Heat Shell

REF	PART NO.	DESCRIPTION	COMMENTS
1	F200213	Hose Clamp	No. 40
2	F150309	Soap Dispenser Hose	
3	F150419	Supply Dispenser Baffle	Optional; Used to prevent water entering the supply dispenser during an extraction step
4	N/A	Hose Clamp	No. 48
5	F150340	Vacuum Breaker Hose	
6	F200215	Hose Clamp	No. 28
7	F150332	Overflow Hose	
8	F430103	Screw	
9	F430317	Washer	
10	F430215	Nut	
11	F150356	Drain Hose	
12	F200142	Air Trap Hose	
13	F200205	Hose Clamp	No. 10

N/A = Part no longer available

Drain Assembly, Hoses and Air Trap - All Models Except SC50 and UC50 Models With Heat Shell



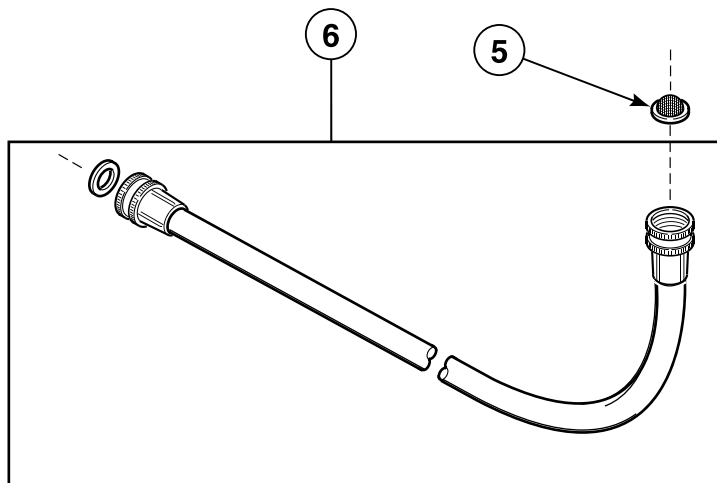
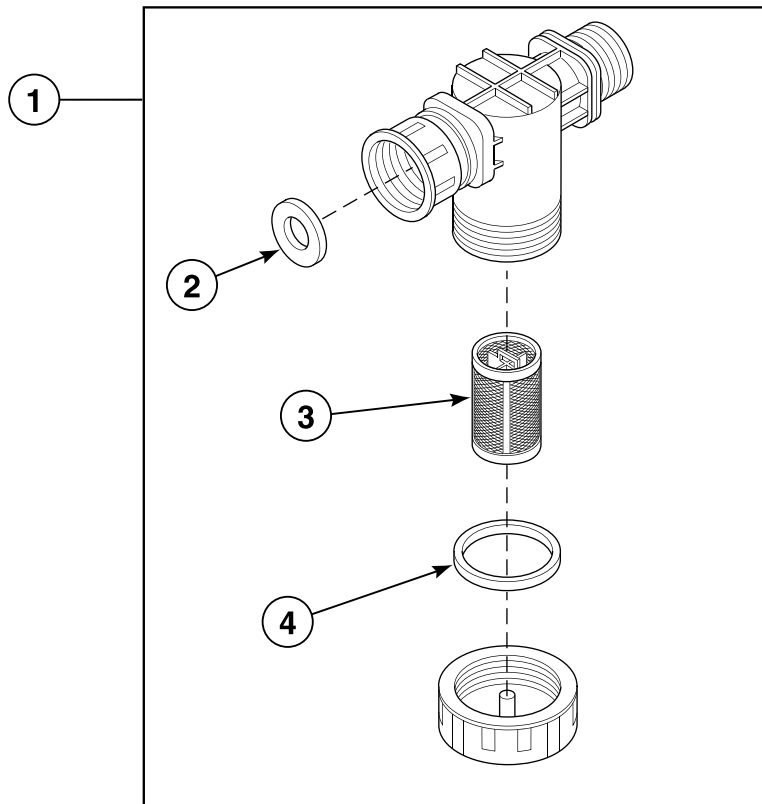
CHM2835P_F232174

Drain Assembly, Hoses and Air Trap - All Models Except SC50 and UC50 Models With Heat Shell

REF	PART NO.	DESCRIPTION	COMMENTS
1	F200213	Hose Clamp	No. 40
2	F150309	Soap Dispenser Hose	
3	F150419	Supply Dispenser Baffle	Optional; Used to prevent water entering the supply dispenser during an extraction step
4	N/A	Hose Clamp	No. 48
5	F150321	Vacuum Breaker Hose	SC18, SC35, UC18 and UC35 models
	F150340	Vacuum Breaker Hose	SC50 and UC50 models
6	F200215	Hose Clamp	No. 28
7	F200125800	Overflow Hose	SC18 and UC18 models
	F150332	Overflow Hose	SC35, SC50, UC35 and UC50 models
8	F430103	Screw	
9	F430317	Washer	
10	F8017101	Drain Connector Tee	SC18, SC35, UC18 and UC35 models
	F150398	Drain Tee	SC50 and UC50 models
11	F200213	Hose Clamp	SC18, SC35, UC18 and UC35 models
	N/A	Hose Clamp	SC50 and UC50 models
12	F150311	Rear Drain Hose	SC18 and UC18 models
	F0150331-00	Drain Hose	SC35 and UC35 models; Rear
	F200123500	Drain Hose	SC50 and UC50 models; Rear
13	F430103	Screw	
14	F150312	Front Drain Hose	SC18, SC35, UC18 and UC35 models
	F8035801	Front Drain Hose	SC50 and UC50 models
15	F430215	Nut	
16	F200142	Air Trap Hose	
17	F200205	Hose Clamp	No. 10

N/A = Part no longer available

Filter (Optional) and Water Supply Hose

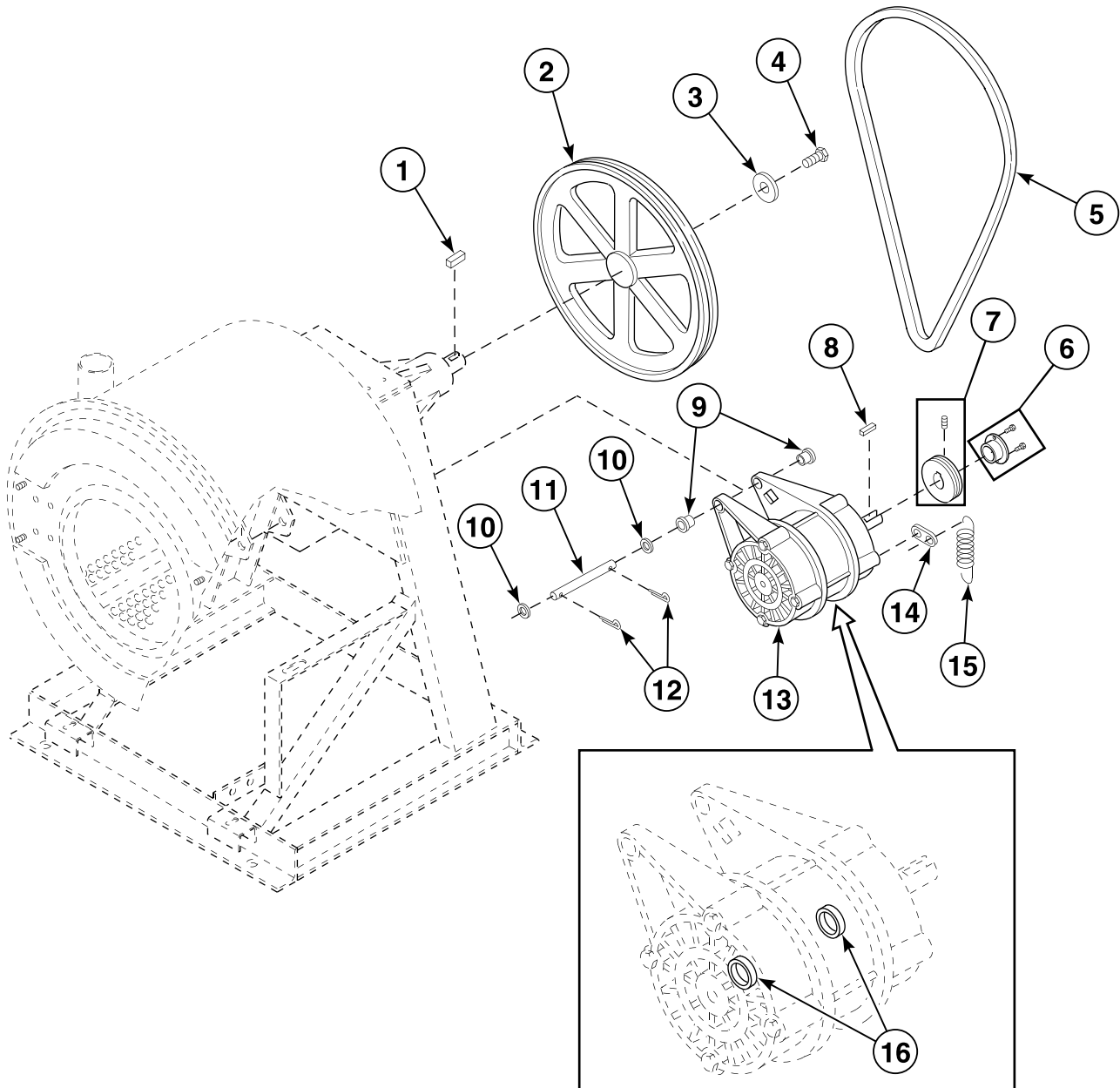


B091P_F232174

Filter (Optional) and Water Supply Hose

REF	PART NO.	DESCRIPTION	COMMENTS
1	F270306P	Filter	Standard thread
	F270305	Filter	Metric thread
2	20290	Washer	
3	F270406	Replacement Filter	.11 mm
	F270405	Replacement Filter	.25 mm
4	F270407	Filter Housing Cap Gasket	
5	F270300	Filter Screen	
6	F200116	Water Hose	3/8 inch; Hose thread
	F200164	Water Hose	3/4 inch; Hose thread
	F200165	Water Hose	3/8 inch; Metric thread
	F200166	Water Hose	3/4 inch; Metric thread

Motor, Pulley and Belt - SC18 and UC18 Models



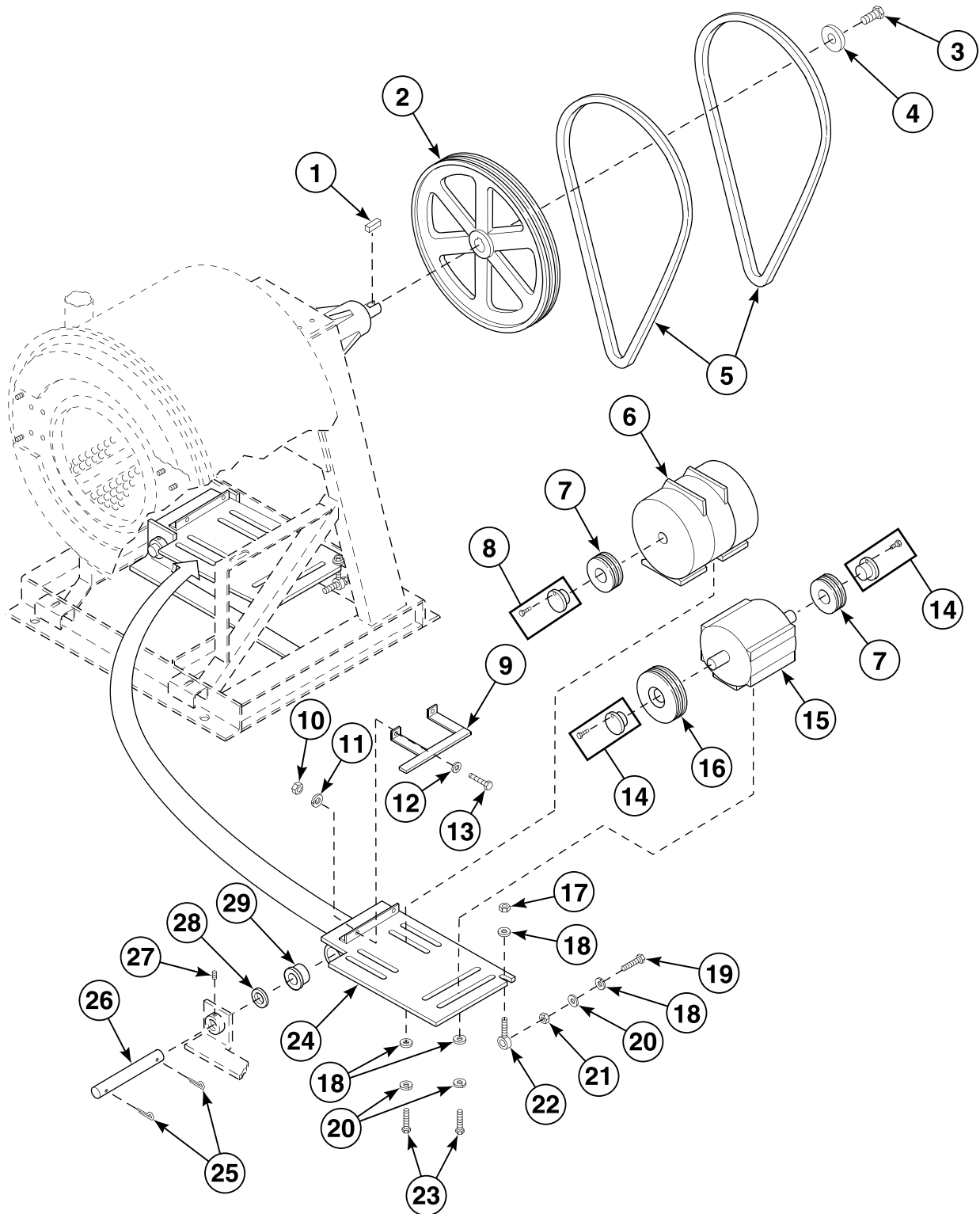
CHM2234P_F232174

Motor, Pulley and Belt - SC18 and UC18 Models

REF	PART NO.	DESCRIPTION	COMMENTS
1	F430801	Key	
2	F280168	Pulley	
3	F0431159-00	Washer	
4	F430100	Screw	
5	F280337	Belt	3V-710
6	F280214	Motor Bushing	
7	F280185	Motor Pulley	A and O-voltage models
	N/A	Pulley	C and D-voltage models
8	F430802	Key	
9	F200186100	Motor Support Bushing	
10	F430325	Washer	
11	F602844	Motor Support Rod	
12	F430401	Cotter Pin	
13	F220414	Motor	A and O-voltage models
	N/A	Motor	C-voltage models
	N/A	Motor	D-voltage models
14	F601515	Clip	
15	F310124	Extension Spring	
16	F100124	Motor Bearing	

N/A = Part no longer available

Motor, Pulley and Belt - SC35 and UC35 Models



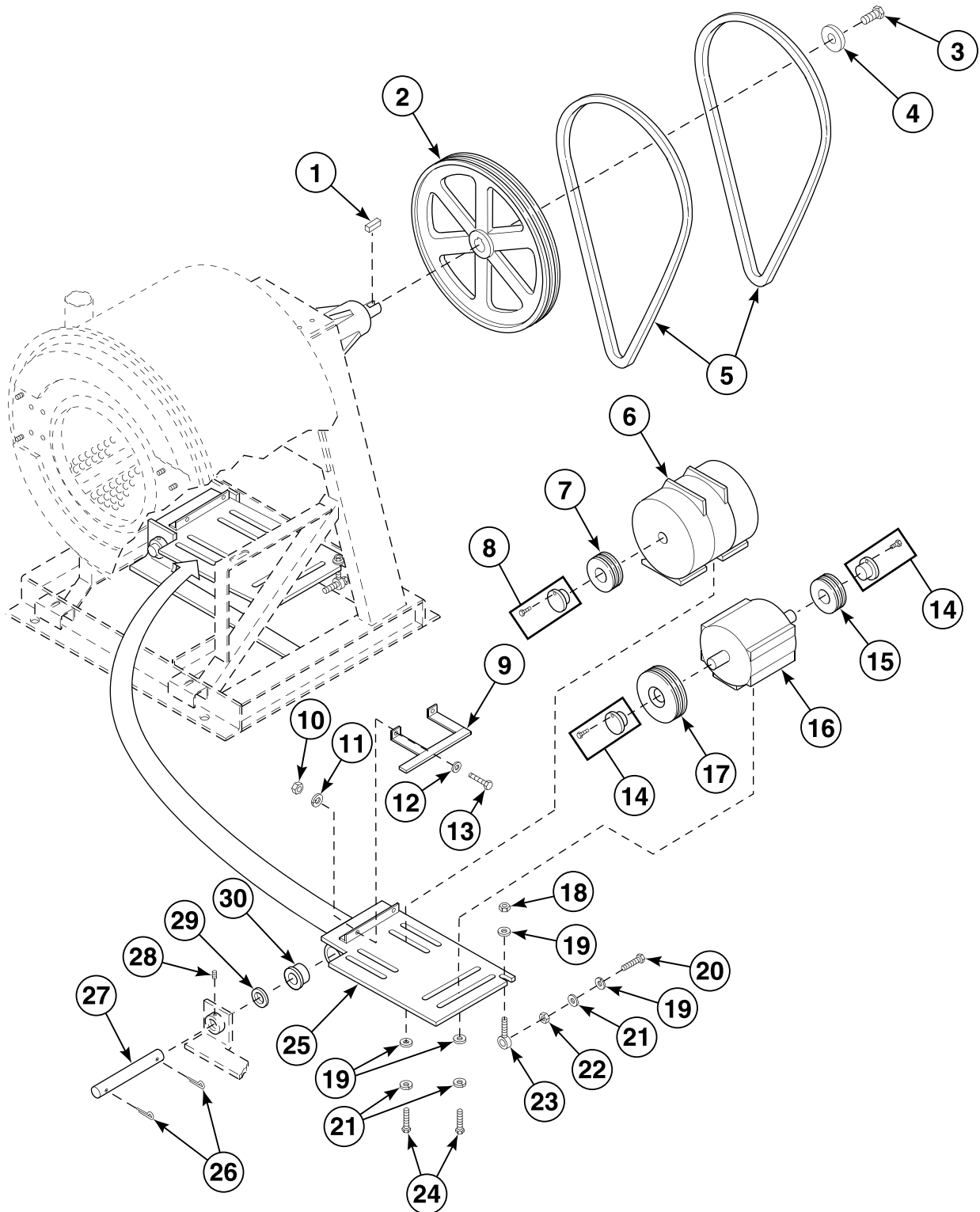
CHM2235P_F232174

Motor, Pulley and Belt - SC35 and UC35 Models

REF	PART NO.	DESCRIPTION	COMMENTS
1	F430801	Key	
2	F280197	Pulley	
3	F430100	Screw	
4	F431115	Washer	
5	F280351	Belt	A and O-voltage models; 3V-355
	F280342	Belt	A and O-voltage models; 3V-830
	F280342	Belt	C-voltage models
	F280351	Belt	D-voltage models
6	F220410P	Motor	Wash; A and O-voltage models
	F220420	Motor	Wash; C-voltage models
	N/A	Motor	Wash; D-voltage models
7	F280224	Pulley	2-3V450
	F280227	Pulley	2-3V600
	F280226	Pulley	2-3V280
8	F280225P	Bushing	
9	F606257	Motor Adjuster Sub-Assembly	
10	F431005	Nut	
11	F431100	Washer	
12	F430317	Washer	
13	F430114	Screw	
14	N/A	Bushing	A and O-voltage models
	F280211P	Motor Pulley Bushing	C and D-voltage models
15	F220411	Motor	Extract; A and O-voltage models
	F220421	Motor	Extract; C-voltage models
	N/A	Motor	Extract; D-voltage models
16	F280178	Pulley	A and O-voltage models
	F280224	Pulley	C and D-voltage models
17	F430218	Nut	
18	F430301	Washer	
19	F430144	Screw	
20	M400014	Washer	
21	F430205	Nut	
22	F430524	Screw	
23	F430116	Screw	
24	N/A	Motor Plate Weldment	
25	F430401	Cotter Pin	
26	F601114	Motor Support Rod	
27	F430502	Screw	
28	F430325	Washer	
29	N/A	Bushing	

N/A = Part no longer available

Motor, Pulley and Belt - SC50 and UC50 Models



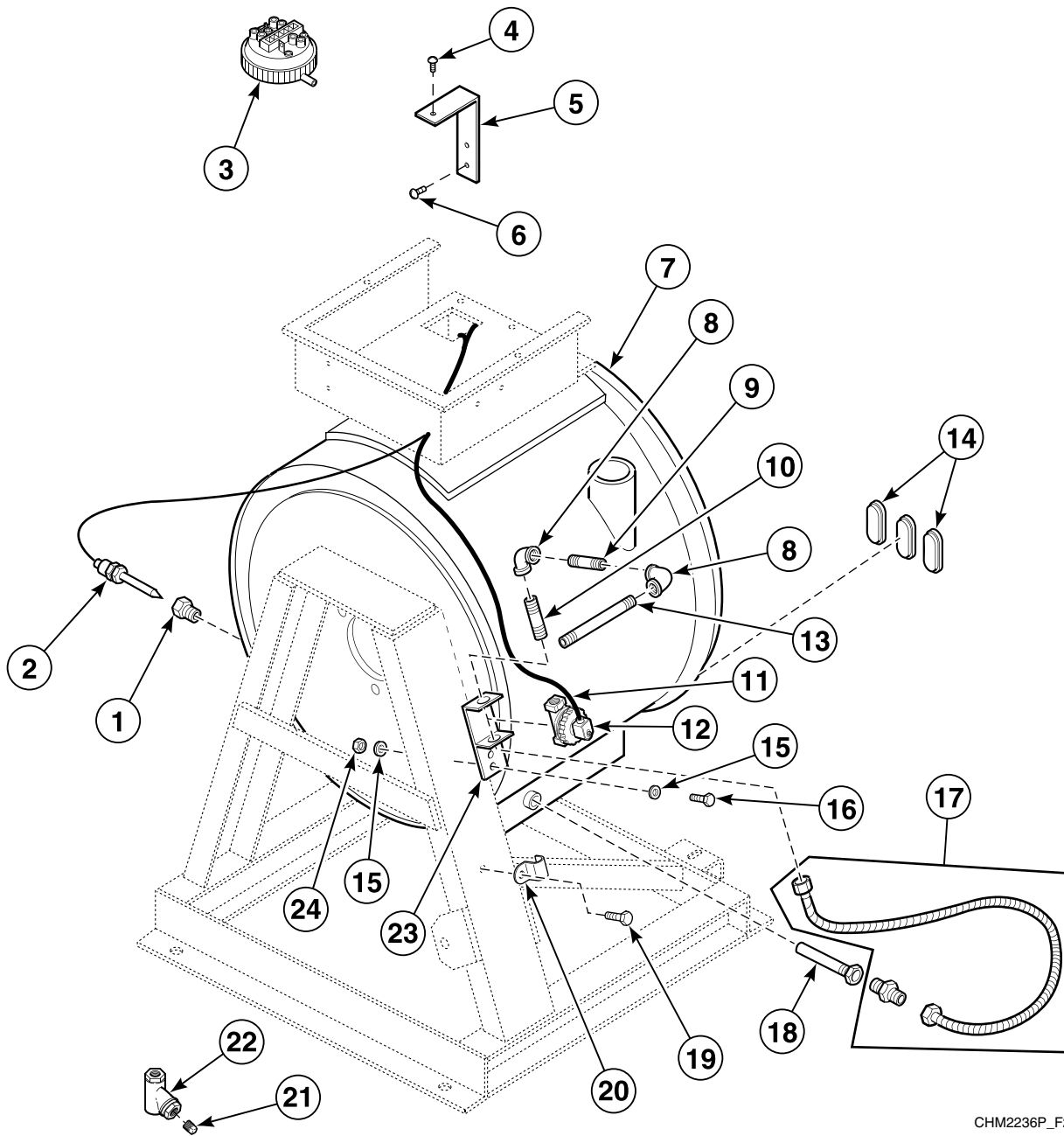
CHM2235PA_F232174

Motor, Pulley and Belt - SC50 and UC50 Models

REF	PART NO.	DESCRIPTION	COMMENTS
1	F430801	Key	
2	F280173	Pulley	
3	F430100	Screw	
4	F431115	Washer	
5	F280319	Belt	3VX-335
	F280341	Belt	3V-850
6	F220412P	Motor	Wash; A and O-voltage models
	F220425P	Motor	Wash; C-voltage models
7	F280226	Pulley	
8	F280209	Motor Pulley Bushing	7/8
9	F606257	Motor Adjuster Sub-Assembly	
10	F431005	Nut	
11	F431100	Washer	
12	F430317	Washer	
13	F430114	Screw	
14	N/A	Bushing	1-1/8
15	N/A	Pulley	A and O-voltage models
	F280224	Pulley	C-voltage models
16	F220413P	Motor	Extract; A and O-voltage models
	F220427P	Motor	Extract; C-voltage models
17	F280227	Pulley	
18	F430218	Nut	
19	F430301	Washer	
20	F430144	Screw	
21	M400014	Washer	
22	F430205	Nut	
23	N/A	Screw	
24	F430116	Screw	
25	N/A	Motor Plate Weldment	
26	F430401	Cotter Pin	
27	F601114	Motor Support Rod	
28	F430502	Screw	
29	F430325	Washer	
30	N/A	Bushing	

N/A = Part no longer available

Steam Heat Option



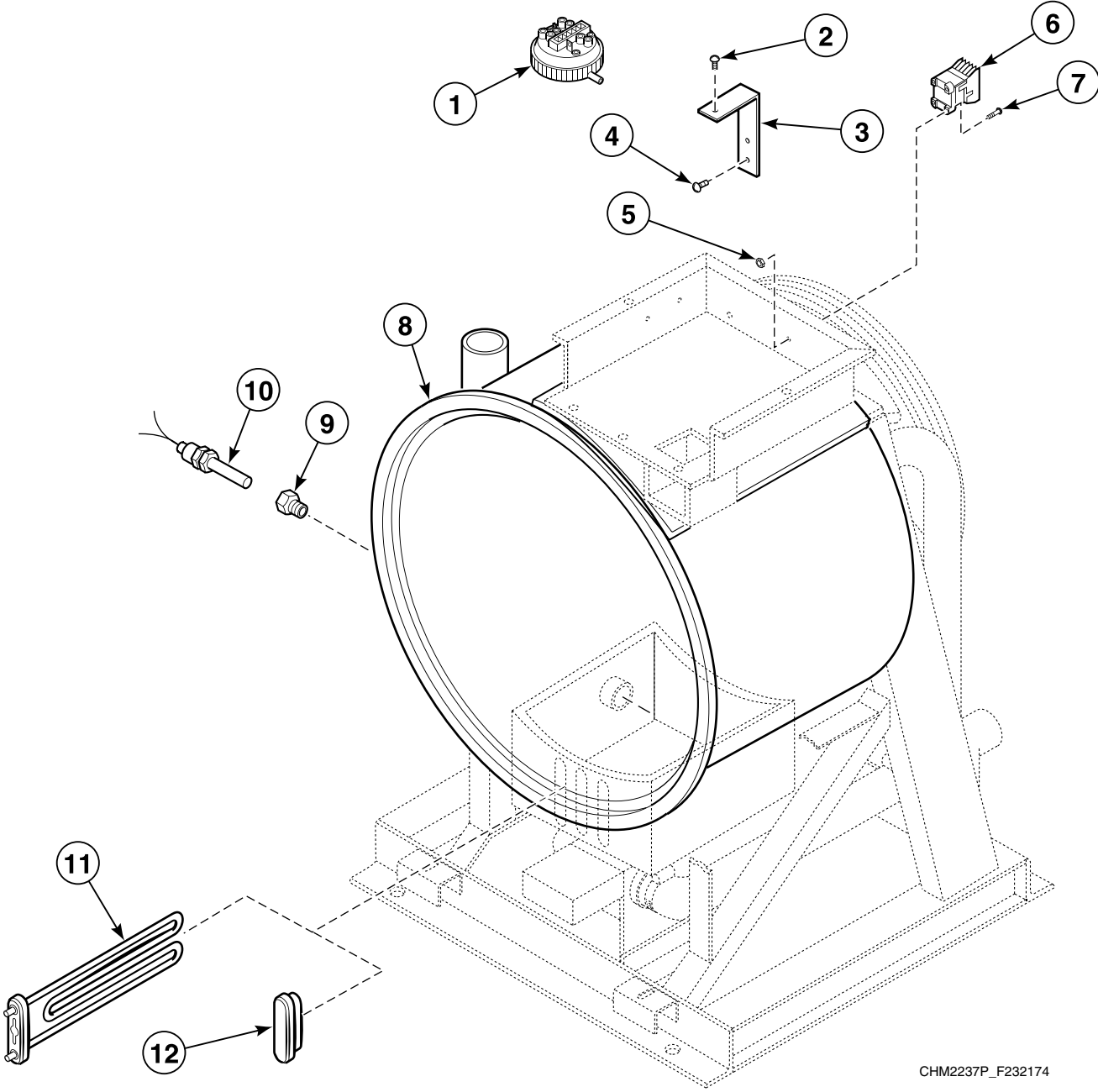
CHM2236P_F232174

Steam Heat Option

REF	PART NO.	DESCRIPTION	COMMENTS
1	F421936	Reducer Bushing	
	F421962	Nut	
2	F370606P	Temperature Probe	
	F290111P	Thermostat	
3	F0340343-10P	Water Level Switch	SC18 and UC18 models
	F0340345-10P	Water Level Switch	SC35, SC50, UC35 and UC50 models
4	F430172	Screw	
5	F606005	Bracket	
6	F430174	Screw	
7	N/A	Shell Assembly	Heat option; SC18 and UC18 models
	N/A	Shell Assembly	Heat option; SC35 and UC35 models
	N/A	Shell Assembly	Heat option; SC50 and UC50 models
8	70079601	Elbow	
9	F420708	Nipple	
10	F420707	Nipple	
11	F140887P	Harness Assembly	
12	F380786P	Steam Valve	120 Volt
	F380787P	Steam Valve	220 Volt
13	70214101	Pipe Nipple	
14	F360202	Heating Element Plug	
15	F430317	Washer	
16	F430108	Screw	
17	F200154	Steam Hose	Includes fitting
	F410300	Pipe Insulation	
18	F603131	Steam Injector Tube Assembly	
19	F430115	Screw	
20	N/A	Cable Strap	
21	F420409	Plug	
22	F270307	Steam Filter	
23	F601186	Steam Bracket Assembly	
24	F430215	Nut	

N/A = Part no longer available

Electric Heat Option



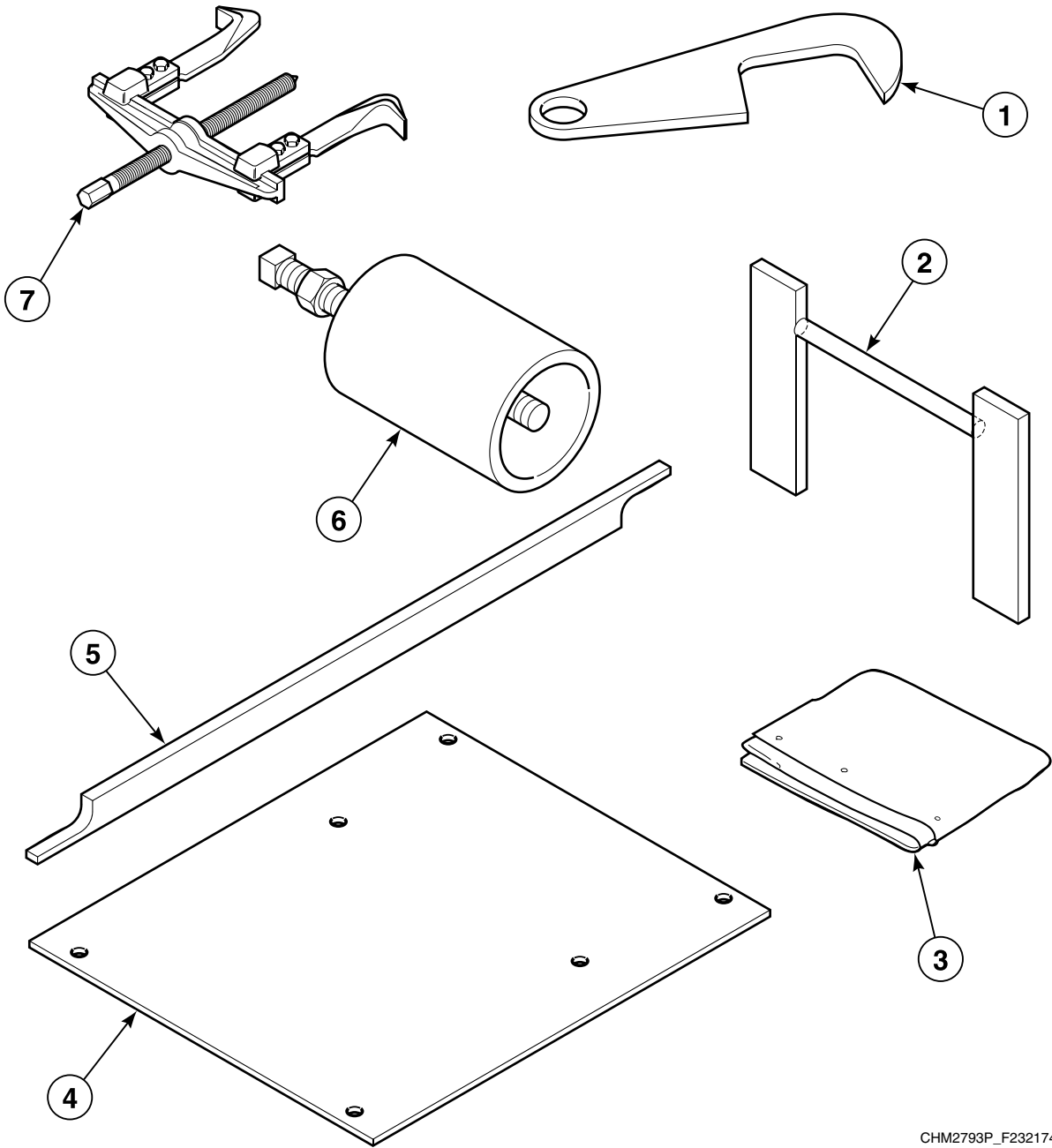
CHM2237P_F232174

Electric Heat Option

REF	PART NO.	DESCRIPTION	COMMENTS
1	F0340343-10P	Water Level Switch	SC18 and UC18 models
	F0340345-10P	Water Level Switch	SC35, SC50, UC35 and UC50 models
2	F430172	Screw	
3	F606005	Bracket	
4	F430174	Screw	
5	F430231	Nut	
6	F330175P	Contactors	SC18 and UC18 A and O-voltage models
	F330177P	Contactors	SC18 and UC18 C, D and J-voltage models
	F330180P	Contactors	SC35 and UC35 A and O-voltage models; SC50 and UC50 F-voltage models
	F330179P	Contactors	SC35 and UC35 C-voltage models
	F330182	Contactors	SC35 and UC35 D-voltage models
	F330187P	Contactors	SC18 and UC18 C and Y-voltage models; SC50 and UC50 A, H and O-voltage models
	F330188P	Contactors	SC18 and UC18 E-voltage models; SC50 and UC50 C, D and J-voltage models
7	F430916	Screw	
8	N/A	Shell Assembly	Heat option; SC18 and UC18 models
	N/A	Shell Assembly	Heat option; SC35 and UC35 models
	N/A	Shell Assembly	Heat option; SC50 and UC50 models
9	F421936	Reducer Bushing	
	F421962	Nut	
10	F370606P	Temperature Probe	
	F290111P	Thermostat	
11	F360206P	Heating Element	2.0 kW; SC18 and UC18 models
	F360205P	Element	2.6 kW; SC35, SC50, UC35 and UC50 models
12	F360202	Heating Element Plug	

N/A = Part no longer available

Special Tools



CHM2793P_F232174

Special Tools

REF	PART NO.	DESCRIPTION	COMMENTS
1	N/A	Pulley Alignment Gauge	SC50 and UC50 models
2	F460131	Basket Pulley Puller Tool	
3	F450127	Template	
4	F608707	Bolt Layout Mounting Template	SC18 and UC18 models
	F608709	Bolt Layout Mounting Template	SC35 and UC35 Models
	F608710	Bolt Layout Mounting Template	SC50 and UC50 models
5	N/A	Basket Pulley Alignment Bar	SC50 and UC50 models
6	F798001	Basket Pulley Kit	SC18 and UC18 models
	F798002	Basket Puller Kit	SC35 and UC35 Models
	F798003	Basket Puller Kit	SC50 and UC50 models
7	F460129	Bearing Puller Tool	

N/A = Part no longer available

Parts Index

A

Adhesive	
F8142701	51
Air Trap Hose	
F200142	77, 79

B

Basket Assembly	
F605726	59
F605951	59
F8123501	59
Basket Puller Kit	
F798002	93
F798003	93
Basket Pulley Kit	
F798001	93
Basket Pulley Puller Tool	
F460131	93
Battery	
F191101	15
Battery Adapter Board	
F370529P	15
Battery Backup Wire Harness	
F140249	15
Bearing	
F100134	61
F100135	61
F100136P	61
F100137	61
Bearing Puller Tool	
F460129	93
Belt	
F280319	87
F280337	83
F280341	87
F280342	85
F280351	85
Bleach Light Kit	
F798703	13
F798704	13
Blind Rivet	
J1111905	51
Board	
F370555-11P	17
Bolt	
F430969	41
Bolt Layout Mounting Template	
F608707	93
F608709	93
F608710	93
Bracket	
F606005	39, 89, 91
Bridge Rectifier	
F370310	11, 15
Bushing	
F280225P	85

C

Cap Plug	
F190301	65
Capacitor	
F370225P	9, 15
Capacitor Mounting Clamp	
F140612P	9, 15
CCA Mounting Bracket	
F608169	23, 27
Circuit Board Support	
F432001	23, 27
Clamp	
F200215	75
Clip	
F601515	13, 17, 83
Coil	
F380900	67
F380917	67
Coin Blocking Wire Harness	
F634561-1	27
F634561-2	27
Coin Box	
F160631	37
F160632	37
F160633	37
F160634	37
F160636	37
F160672	37
F160673	37
Coin Catch Funnel Kit	
F606651	39
Coin Chute	
F160652P	39, 41
Coin Counter CCA	
F0370410-10P	23
F370425P	27
Coin Funnel Assembly	
F607535	41
Coin Guide Assembly	
F200002500	25, 31, 35
F200002501	27, 33
F200002502	35
F200002502P	25, 31
F200002503	27, 33
Coin Meter Adapter Kit	
F775100-02	39, 41
F775101-02	41
Coin Meter Assembly	
F200003000P	19
F200003001	19
F200003002	19
F200003003P	19
F200003004	19
F200003005P	19
F200003006	19
F200003007	21
F200003008	21
F200003009P	21
F200003010	21
F200003011	21

N/A items do not appear in index.

F200003012	21
F200004900	29
F200004901	29
F200004902	29
F200004903	29
F200004904	29
F200004905	29
F200004906P	29
F200004907	29
F200004908	29
F200004909	29
F200004910	29
F200004911	29
F200004912	29
F200005800	35
F200005801	35
F200005802	35
F200005803	35
F200005804	35
F200005805	35
F200005806	35
F200005807	35
F200005808	35
F200005809	35
F200005810	35
F200005811	35
F200115000P	31
F200115001	31
F200115002	31
F200115003	31
F200115004	31
F200115005P	31
F200115006	31
F200115007	31
F200115008	31
F200115009	31
F200115010	31
F200115011	31
F200115100	33
F200115101	33
F200115102	33
F200115103	33
F200115104	33
F200115105	33
F200115106P	33
F200115107	33
F200115108	33
F200115109	33
F200115110	33
F200115111	33
F200115112	33
Coin Meter Blocking Coil	
F160466P	23, 27, 31, 33, 35
F160467	23, 27, 31, 33, 35
Coin Meter Decal	
F0231595-00	27, 33
F0231595-01	27, 33
Coin Meter Harness	
F607322-5	27
Coin Meter Insert	
F608925	35
Coin Meter Insert Decal	
F231010	23, 31, 35
Coin Meter Slide Sub-Assembly	
F605974	39
Coin Meter Wire Harness	
F607322-2P	25
F607322-3	27

Coin Slide Extension	
F606006	39, 41
Computer	
F370518-00P	17
F370518-10P	17
F370555-01P	17
Conductor Decal	
F231146	7
Contactors	
F330175P	9, 15, 91
F330177P	9, 15, 91
F330179P	91
F330180P	91
F330182	91
F330187P	91
F330188P	91
Control Panel Decal	
F0231617-00	13
F0231618-00	17
F200017941	13
F200020941	13
F230843	13
F230845	13
F230846	13
F231232	17
F231467	17
F231469	17
F231472	13
F231475	13
F231476	13
F231478	13
F231487	13
F231496	17
Cotter Pin	
F430401	83, 85, 87
Counterclockwise Spin Rotation Decal	
F230693	7, 51
Cover	
F140423	15
Cycle Selector Switch	
F340413	11
Cycle Timer	
F160301P	11
F160304P	11
Cycle Timer Indicator Kit	
F730525	11

D

DC Power Cable	
F140202	23, 27
Decal	
F230662	51
F230764	69
Digital Display Decal	
F230803	23, 27
Digital Display LED CCA	
F370424-1	27
Disconnect Power Warning Label	
505281	7
Do Not Lift Decal	
F230216	7
Door Assembly	
F603239-1	51

N/A items do not appear in index.

F603239-2.....	51	Door Lock Plate Assembly	
F603239-3.....	51	F8066701	49
F603239-4.....	51	Door Lock Plate Cover	
F603901-4.....	51	F602567	45, 47
F603901-5.....	51	Door Lock Plate Shim	
F603901-6.....	51	F603185	45, 47
F604079-1.....	51	F8059701	49
F604079-2.....	51	Door Lock Plate Sub-Assembly	
F604079-3.....	51	F633734	43, 47
F604079-4.....	51	Door Lock Relay CCA	
F604079-5.....	51	F370426-1P.....	15
Door Gasket		F370426-2P.....	15
F200000201.....	51	Door Lock Retainer Latch	
F8111501	51	F0636103-00	49
F8111601	51	Door Lock Solenoid	
Door Glass		F0300131-00P.....	47, 49
F290208P	51	F300113P	43
Door Glass Kit		Door Lock Splash Shield	
F290205P	51	F320200	45, 47, 49
F290207P	51	Door Lock Spring	
Door Handle		F310125	51
F150225.....	51	Door Lock Switch Lever	
Door Handle Kit		F0636636-00	49
F730155.....	51	Door Lock Time Delay	
Door Hinge		F200025200P.....	9, 15
F190216P	51	Door Lock Torsion Spring	
Door Hinge Shim Kit		F310110	43, 47, 49
F200131000P	53	Door Locking Linkage Pin	
Door Hinge Switch		F431231	49
F340901	61	Door Mount	
Door Lock Assembly		F150271	51
F602509-1P.....	43	Door Release Solenoid	
F602509-2P.....	43	F300128P.....	43, 47, 49
F602509-3P.....	43	Door Spacer	
F602509-4P.....	43	F0150273-00.....	51
F603390-1P.....	43	Door Switch	
F603390-2.....	43	F340200	43
F603390-3P.....	43	F340201	43
F603390-4P.....	43	Door Warning Label	
F604449-1P.....	43	81968	7
F604449-2P.....	43	Drain Connector Tee	
F605386-13.....	47	F8017101	79
F605386-14P.....	47	Drain Hose	
F605386-7P.....	47	F0150331-00.....	79
F605386-8P.....	47	F150356	77
Door Lock Assembly Cover		F200123500	79
F603003.....	45, 47, 49	Drain Motor	
Door Lock Catch		F380943P.....	73, 75
F150223.....	45, 47	Drain Tee	
Door Lock Catch Casting		F150398	79
F150261	45, 47, 49	Drain Valve	
Door Lock CCA		F038062800	75
F370430-1P.....	9	F038062900	75
F370430-3P.....	9	F380618	73
Door Lock Kit		F380619	73
F0798839-00.....	49	Drain Valve Assembly	
F0798839-01.....	49	F602920	73
Door Lock Lever		F603175	73
F605381	43, 47	Drain Valve Cover	
Door Lock Microswitch		F200133600	73
F200203200.....	49	Drain Valve Motor	
F340919	43, 47	F380932P.....	73, 75
Door Lock Pin Linkage		F380933P.....	73, 75
F150455.....	49	F380972P.....	73, 75
Door Lock Pin Release Spring			
F310137.....	49		

N/A items do not appear in index.

Drain Valve Motor and Gear Box Assembly G159764P	73, 75
---	--------

E

Elbow 70079601	89
Electrical Box Assembly F602694	57
Electrical Panel Sub-Assembly F0606950-02	15
F607358	11
Element F360205P	91
E-Ring Retainer F310205	49
Extension Spring F310124	83
Extrusion Panel F150313	13
F150322	13
F150323	13
F150325	57
F150326	57

F

Female Pin Terminal 00430	23, 27, 31, 33
Filter F270305	81
F270306P	81
Filter Housing Cap Gasket F270407	81
Filter Screen F270300	81
Flange Relay F330227	11, 15
F330230	11, 15
Flow Restrictor F380957	67
F380958	67
Frame Assembly F605071	61
F605462	61
F605950	61
Front Drain Hose F150312	79
F8035801	79
Front Panel Kit F757405	53
F757406	53
F757419	53
F757440	53
F757450	53
F757455	53
Fuse F350104	71
F350108	15
F350109	15
F350110	15
F350115	69
F350127	23, 27

N/A items do not appear in index.

Fuse Holder F0350312-10	69
F350304P	71

G

Gasket F170401P	57
Grommet F170607	57
Ground Decal F230630	7
F230739	7
Ground Terminal Lug F140734	69, 71

H

Harness Assembly F140887P	89
Heating Element F360206P	91
Heating Element Plug F360202	89, 91
Hose Clamp F200205	65, 77, 79
F200206	69
F200213	65, 77, 79
F200215	77, 79
36801	65

I

Injection Nozzle F380300	69
Injection Nozzle Kit F730168	69
Inner Front Panel Kit F757200	57
F757201	57
F757202	57
F757203	57
F757206	57
F757207	57
Input Harness Kit F141871P	15
Input Power Block F140746	69, 71
F140747	69, 71
F140748	69
Input Power Connection Box Cover F602533	71
Insulator Bushing F140909	71
Insulator Decal F140914	15
Interlock F330152P	9
Interlock Contactor F330186P	15

K

Key	
F160420	37
F160421	37
F160422	37
F160423	37
F160424	37
F160562	55
F160582	37
F160591	37
F430801	83, 85, 87
F430802	83
Keypad	
F370576P	17

L

Left Side Panel	
F0636136-00P	55
F634499-1	55
F8157401	55
F8159901	55
F8166301	55
Lid Clamp Assembly	
F630430	63
Lid Lock	
F190802P	55
Light	
F350411	13
F350412	13
F350413	13
F350420	13
F350422	13
F350430	13
F350431	13
Liquid Supply Decal	
F230877	7

M

Magnet	
F340703	51
Magnetic Position Switch	
F340702	53
Male Connector	
F140571	23, 27, 31, 33
Manifold	
F150371	65
Manual Fast Advance Decal	
F230756	7
Mechanical Timer Harness Kit	
F798705	13
Membrane Switch	
F340605P	17
F340608P	17
Microcomputer	
F370313-40P	17
Microcomputer Board	
F370313P	17
Mixing Valve Kit, 3-Way	
F730455	67

F730456	65, 67
Mixing Valve, 3-Way	
F730455	65
Module Cover	
F602961	57
Momentary Switch	
F340412	13
Motor	
F160537	11
F220410P	85
F220411	85
F220412P	87
F220413P	87
F220414	83
F220420	85
F220421	85
F220425P	87
F220427P	87
Motor Adjuster Sub-Assembly	
F606257	85, 87
Motor Bearing	
F100124	83
Motor Bushing	
F280214	83
Motor Pulley	
F280185	83
Motor Pulley Bushing	
F280209	87
F280211P	85
Motor Support Bushing	
F200186100	83
Motor Support Rod	
F601114	85, 87
F602844	83
Mounting Bracket	
F602722	55
Mounting Plate	
F606595	65

N

Nipple	
F420707	89
F420708	89
Nut	
F421962	89, 91
F430205	85, 87
F430211	9, 15
F430215	39, 41, 45, 47, 51, 55, 59, 77, 79, 89
F430218	61, 85, 87
F430220	43, 47
F430225	43, 47, 49
F430231	9, 11, 43, 55, 65, 71, 91
F430232	17, 43, 47, 49, 51, 71
F430239	61
F430240	61
F430243	23, 27, 35
F430264	49, 53
F431005	39, 41, 85, 87
F431017	49
F431022	11, 15, 17, 51, 69
F431024	63
F431041	51
F432213	39, 41
802292	69

N/A items do not appear in index.

O

Optic Switch Kit	
F775801-01P	23, 27, 31, 33
F775801-02P	35
O-Ring	
F170208	69
Output Board CCA	
F370449P	15
F370450P	15
Overflow Hose	
F150332	77, 79
F200125800	79
Overflow Plug	
F150352	75

P

Personal Injury Warning Decal	
F231065	7
Pipe Insulation	
F410300	89
Pipe Nipple	
70214101	89
Plug	
F420409	89
Pop Rivet	
F431209	39
F431210	13, 57
F431215	25, 27, 31, 33, 35, 55
Power Supply CCA	
F370411-1P	23, 27
F370411-2P	23, 27
Power Supply Harness	
F0141904-00	25, 27
F0141904-01	25, 27
Power Supply Harness Assembly	
F141878	25
Pulley	
F280168	83
F280173	87
F280178	85
F280197	85
F280224	85, 87
F280226	85, 87
F280227	85, 87
Push Red Button Decal	
F230661	51
Pushbutton Boot	
F340409	9
Pushbutton Rod	
F320300	51
Pushbutton Stop	
F602540	43
F605382	47

R

RC Network Filter	
F330217P	15, 25, 27

Rear Drain Hose	
F150311	79
Rear Panel Kit	
F757000	55
F757002	55
F757003	55
Reducer Bushing	
F421936	89, 91
Relay	
F330203	15
F330206	15
Relay CCA	
F370435	9
F370436	9
F370437P	9, 15
F370438P	9, 15
Remove Door Lock Tag	
F230528	7
Replacement Filter	
F270405	81
F270406	81
Resistor	
F370116	69
F370117	69
Ribbon Cable	
F140216P	15
F140243P	27
Right Side Panel	
F0636135-00P	55
F634396-1P	55
F634500-1	55
F8157301	55
F8159601	55
F8160001	55
Rivet	
F432005	57
Rocker Switch	
F340411	13, 17
Rod	
F602813-2	51

S

Screw	
F430100	83, 85, 87
F430103	77, 79
F430108	55, 89
F430114	85, 87
F430115	89
F430116	85, 87
F430144	85, 87
F430172	89, 91
F430173	13, 17
F430174	27, 39, 45, 47, 55, 69, 71, 89, 91
F430177	65
F430500	59
F430502	85, 87
F430524	85
F430532	51
F430533	51
F430536	53
F430903	71
F430904	9, 15, 39, 41
F430906	51
F430916	9, 11, 15, 65, 69, 91

N/A items do not appear in index.

Top Brace	
F602620	57
F603014	57
F603227	57
Top Cover Kit	
F758000-01	55
F758001-01P	55
F758003P	55
Top Cover Latch	
F602753	57
Trim	
F015050100P	53
Trunnion Kit	
F747001	61
F747003	61
F747005	61
Tubing	
F200168P	69

F431925	23, 27, 35
M400014	85, 87
20290	81
Water Hose	
F200108P	65
F200116	81
F200128P	65
F200164	81
F200165	81
F200166	81
Water Level Switch	
F0340343-00P	9
F0340343-10P	15, 89, 91
F0340345-00P	9
F0340345-10P	15, 89, 91

V

Vacuum Breaker Assembly	
F603031	65
Vacuum Breaker Bottom	
F150330	65
Vacuum Breaker Hose	
F150321	65, 79
F150340	65, 77, 79
Vacuum Breaker Top	
F0150329-00	65
Valve Panel Kit	
F758206	55
F758208P	55
Valve Panel Sub-Assembly	
F633494-1	55
F633494-3	55
F633494-4	55
Valve Repair Kit	
F380939	67
F380954	67

W

Washer	
F0431159-00	83
F430301	61, 85, 87
F430303	61
F430311	23
F430317	55, 59, 77, 79, 85, 87, 89
F430322	65
F430325	83, 85, 87
F431100	9, 15, 45, 47, 49, 85, 87
F431102	39, 41
F431106	13, 17
F431108	9, 15
F431113	11, 15, 17, 39, 41, 51, 69
F431115	85, 87
F431123	11, 43, 47, 49
F431128	61
F431131	61
F431147	49, 63
F431902	43, 47, 49
F431903	43, 47
F431907	51

N/A items do not appear in index.