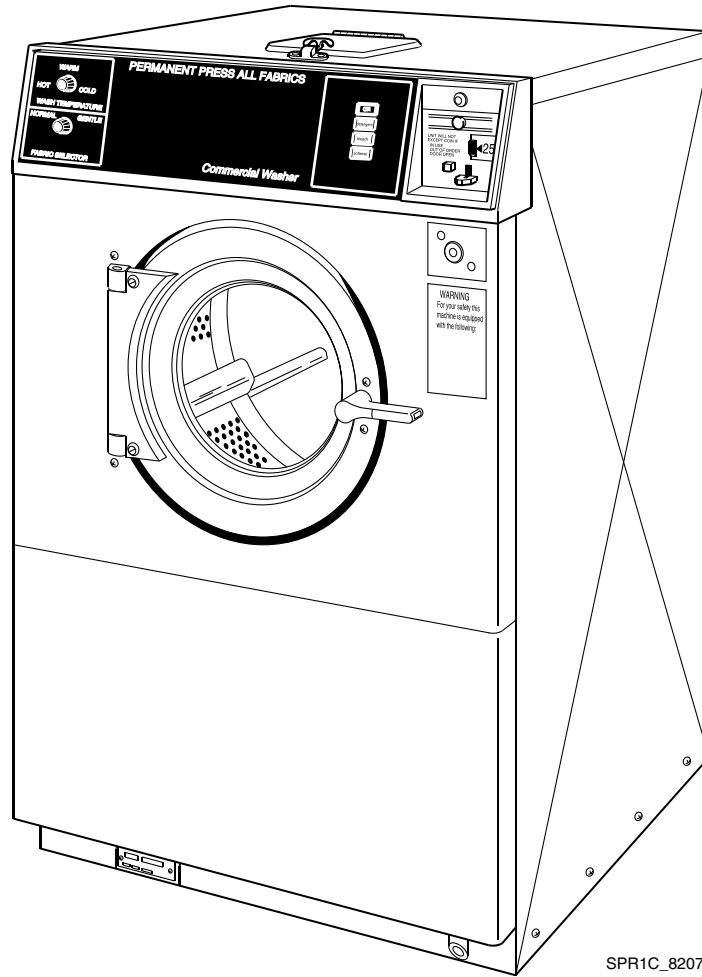


Washer-Extractor

Commercial Superload II

Refer to Page 3 for Model Numbers



SPR1C_82077

Table of Contents

Title	Page
Parts Ordering Information.....	2
Nameplate Location	2
Model Identification	3
Digital Coin Drop.....	4
Accumulator Coin Drop.....	6
Control Panel, Controls and Operating Instruction Sign	8
Cabinet Top and Dispenser Door	10
Front Panel, Door Assembly and Door Seal	12
Door Lock Assembly	14
Panels	16
Coin Vault and Drawer.....	18
Timers and Terminal Block	20
Cross Channel, Capacitor, Relay and Pressure Switch.....	22
Mixing Valve.....	24
Water Inlet and Hoses	26
Drive Motor and Shield	28
Drive Motor	30
Dispenser Boot, Outer Tub, Cylinder and Button Trap	32
Bulkhead, Clamp Ring, Cylinder Pulley and Belt	34
Base and Front Legs.....	36
Bearing Housing Assembly.....	38
Drain - Non-Pump Models	40
Drain - Pump Models	42
Drain Valve Assembly - Non-Pump Models	44
Installation Kit.....	46
Terminals	48
Parts Index.....	51

© Copyright 2007, Alliance Laundry Systems LLC

All rights reserved. No part of the contents of this book may be reproduced or transmitted in any form or by any means without the expressed written consent of the publisher.

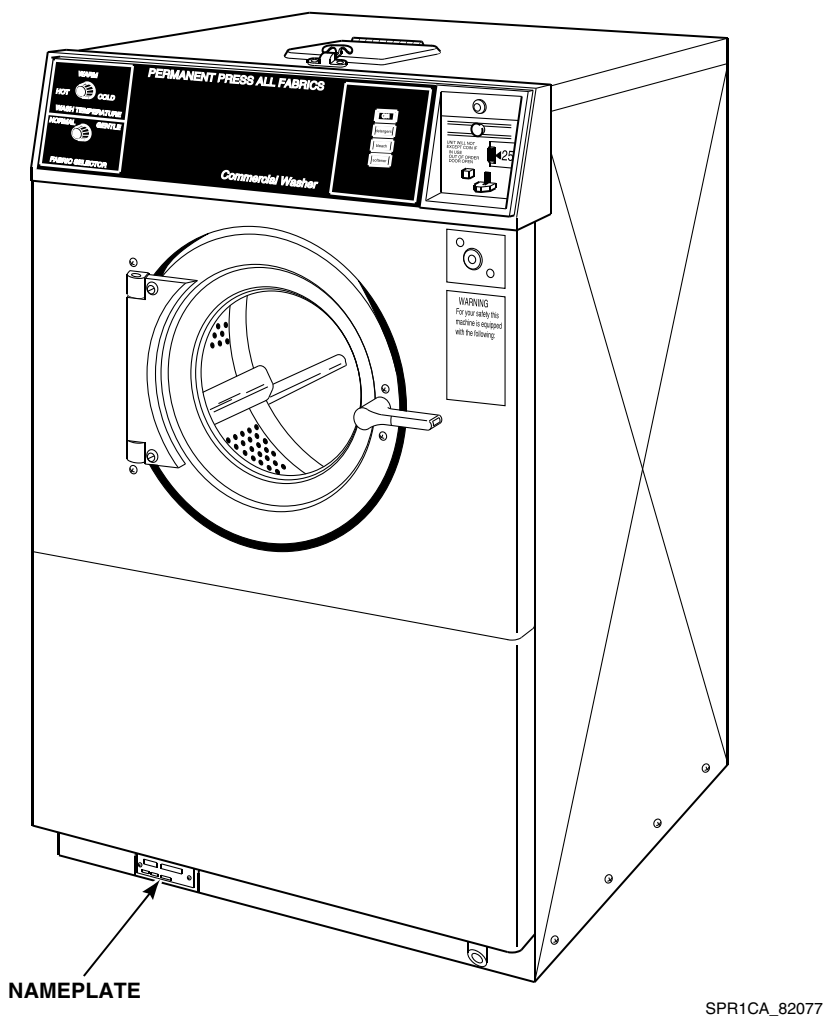
Parts Ordering Information

If literature or replacement parts are required, contact the source from whom the machine was purchased or contact Alliance Laundry Systems at (920) 748-3950 for the name and address of the nearest authorized parts distributor.

For technical assistance, call (920) 748-3121.

Nameplate Location

When calling or writing about your product, be sure to mention model and serial numbers. Model and serial numbers are located on nameplate(s) as shown.



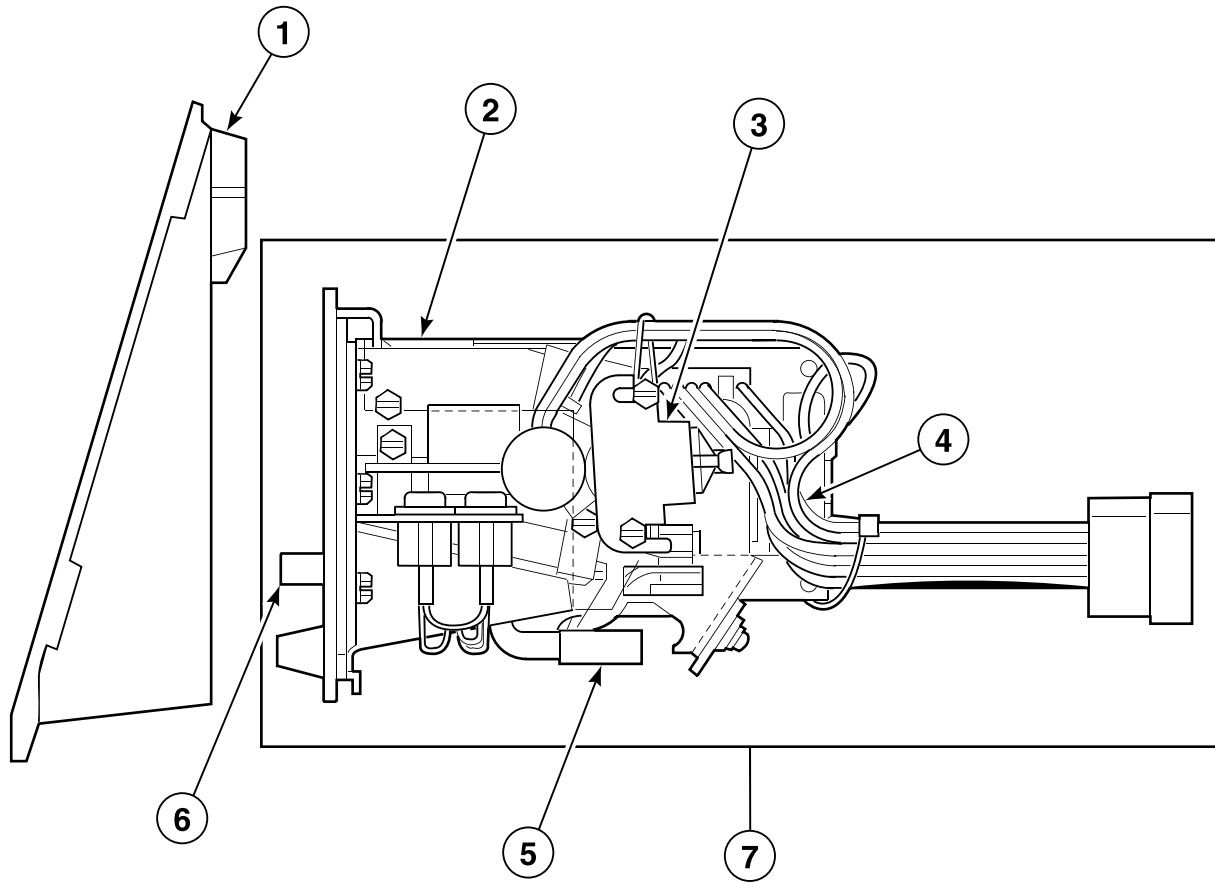
Model Identification

Information in this manual is applicable to these washer-extractor models:

HL9151	SL9151
HL9153	SL9153
HL9161	SL9161
HL9163	SL9163
HL9171	SL9171
HL9173	SL9173

Digital Coin Drop

Models HL9151, HL9153, SL9151 and SL9153



S28P_82077

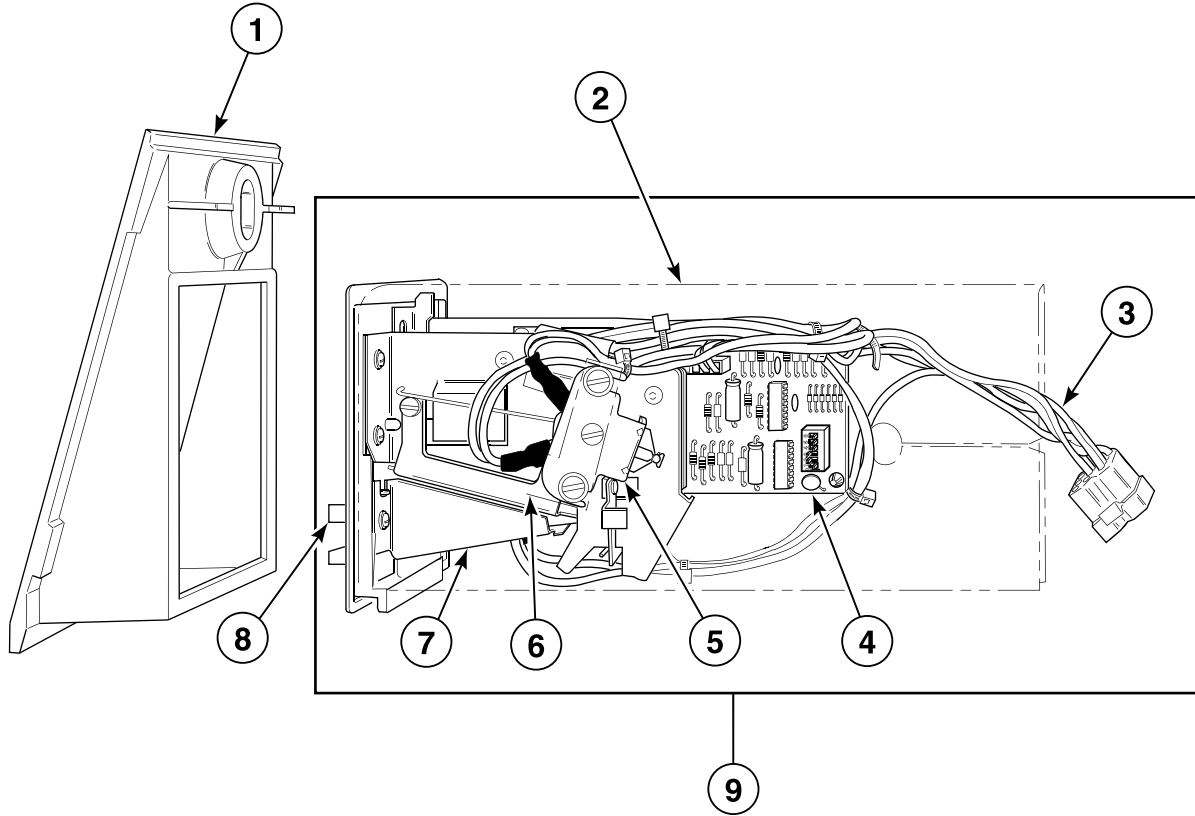
Digital Coin Drop

REF	PART NO.	DESCRIPTION	COMMENTS
1	81186	Coin Drop Door	
2	N/A	Circuit Board and Bracket Assembly	Replaced by 81822 Coin Drop Assembly
3	81964B	Blocking Solenoid	
4	81964A	Fuse	
5	N/A	Optical Switch	
6	81822AP	Return Button Kit	
7	N/A	Coin Drop Assembly	All except Canadian; Includes items 2-6; Replaced by 81822 Coin Drop Assembly
	N/A	Coin Drop Assembly	Canadian; Includes items 2-6

N/A = Part no longer available

Accumulator Coin Drop

Models HL9161, HL9163, SL9161 and SL9163



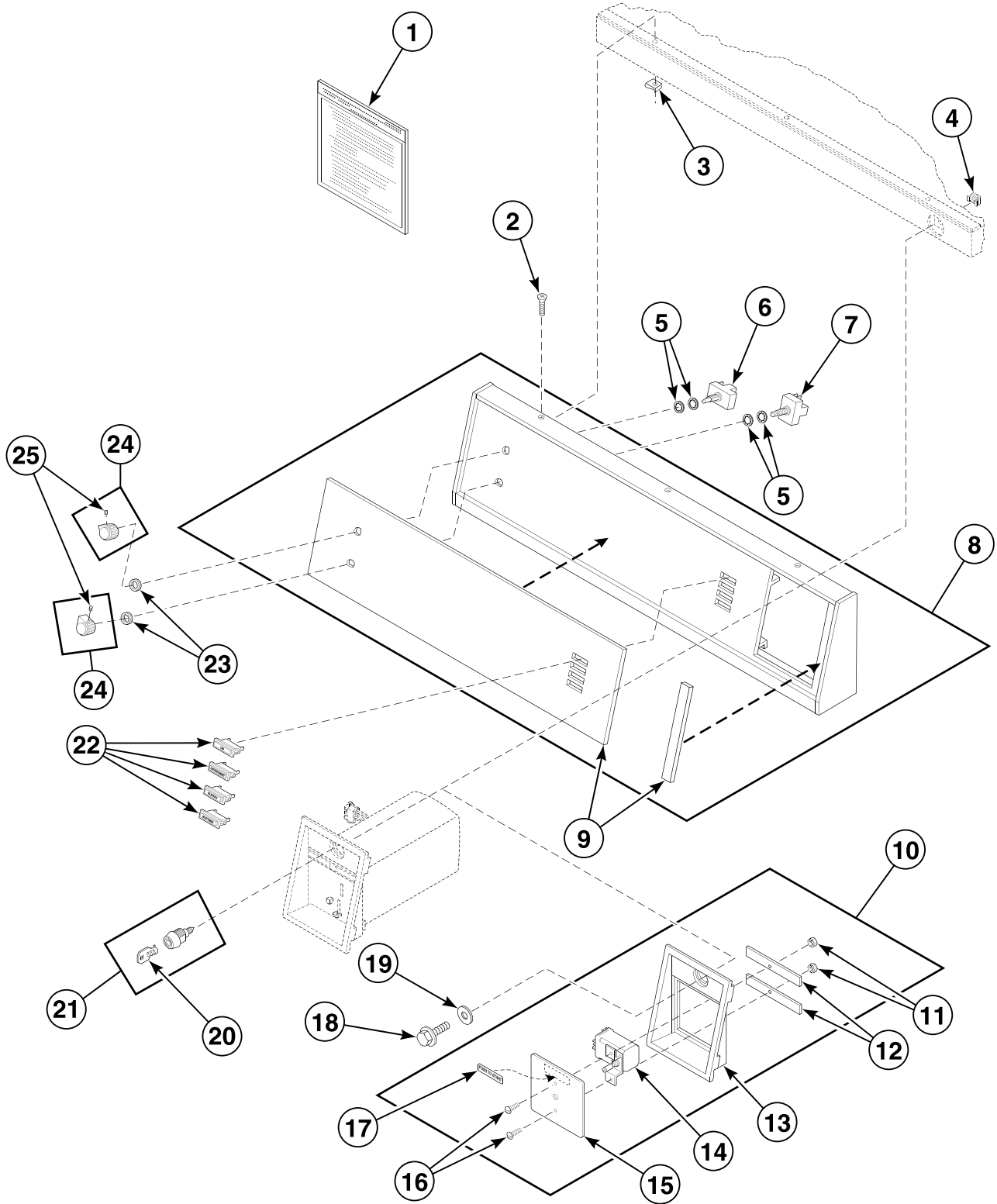
SO53P_82077

Accumulator Coin Drop

REF	PART NO.	DESCRIPTION	COMMENTS
1	81186	Coin Drop Door	
2	N/A	Shield	
3	N/A	Wiring Harness Assembly	
4	81837P	Plate and PC Board Assembly	
5	F160557	Coin Blocking Assembly	
6	N/A	Rejector Assembly	50 Hertz
	81823P	Coin Acceptor Assembly	60 Hertz
7	81890P	Coin Switch	
8	81822AP	Return Button Kit	
9	499P3	Coin Meter Kit	50 Hertz; Includes items 2-8
	81822P	Coin Drop Kit	60 Hertz; All except Canadian; Includes items 2-8
	N/A	Coin Drop Assembly	60 Hertz; Canadian; Includes items 2-8

N/A = Part no longer available

Control Panel, Controls and Operating Instruction Sign



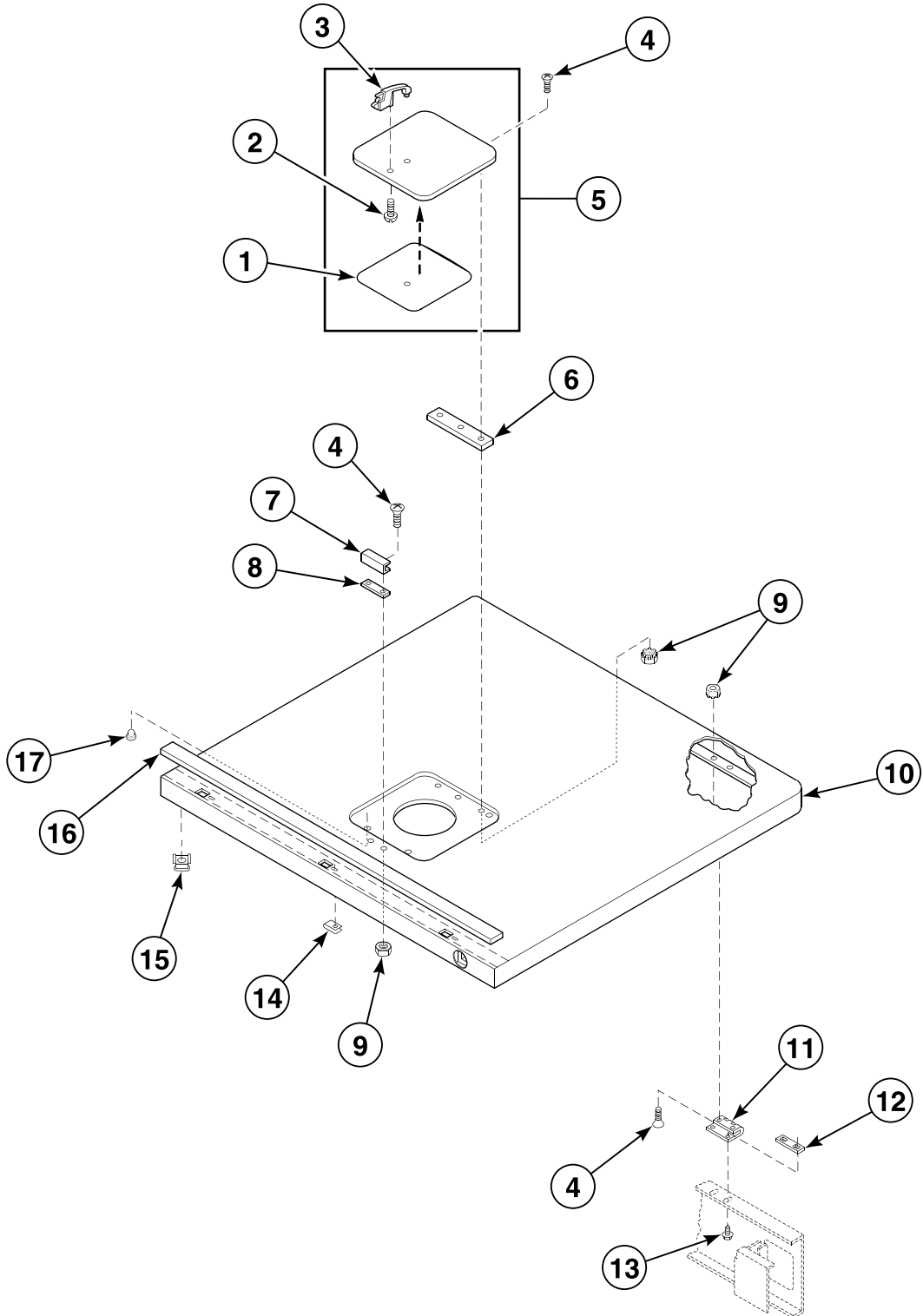
S30P_82077

Control Panel, Controls and Operating Instruction Sign

REF	PART NO.	DESCRIPTION	COMMENTS
	81711P	Wire Harness Assembly	Main
	81767P	Wire Harness Assembly	Control panel
1	N/A	Operating Instructions Sign	SL models
	82008	Instructions Sign	HL models
2	500226	Screw	
3	81207	Nut	
4	81178	Nut	
5	91176	Washer	
6	81799	Water Temperature Switch	
7	81679	Switch	
8	N/A	Control Panel Assembly	SL models
	N/A	Control Panel Assembly	HL models
9	81910	Control Panel Overlay	SL models
	N/A	Control Panel Overlay	HL models
10	N/A	Manual Start Kit	50 Hertz; Includes wire harness assembly and items 11-17
	N/A	Manual Start Kit	60 Hertz; Includes wire harness assembly and items 11-17
11	70054	Nut	
12	81636	Clamp	
13	81186	Coin Drop Door	
14	91257	Switch	50 Hertz
	90709P	Relay	60 Hertz
15	81637	Switch Plate	
16	81638	Screw	
17	53738	Push-to-Start Sticker	
18	81692	Screw	
19	N/A	Washer	
20	81263B	Key	
21	N/A	Lock and Key Assembly	Includes item 20
22	81076	On Indicator Light	50 Hertz
	N/A	On Indicator Light	60 Hertz
	81077	Detergent Indicator Light	50 Hertz
	N/A	Detergent Indicator Light	60 Hertz
	81078	Bleach Indicator Light	50 Hertz
	81074	Bleach Indicator Light	60 Hertz
	81079	Softener Indicator Light	50 Hertz
	N/A	Softener Indicator Light	60 Hertz
23	24205	Nut	
24	39897	Switch Knob	Includes item 25
25	N/A	Screw	

N/A = Part no longer available

Cabinet Top and Dispenser Door



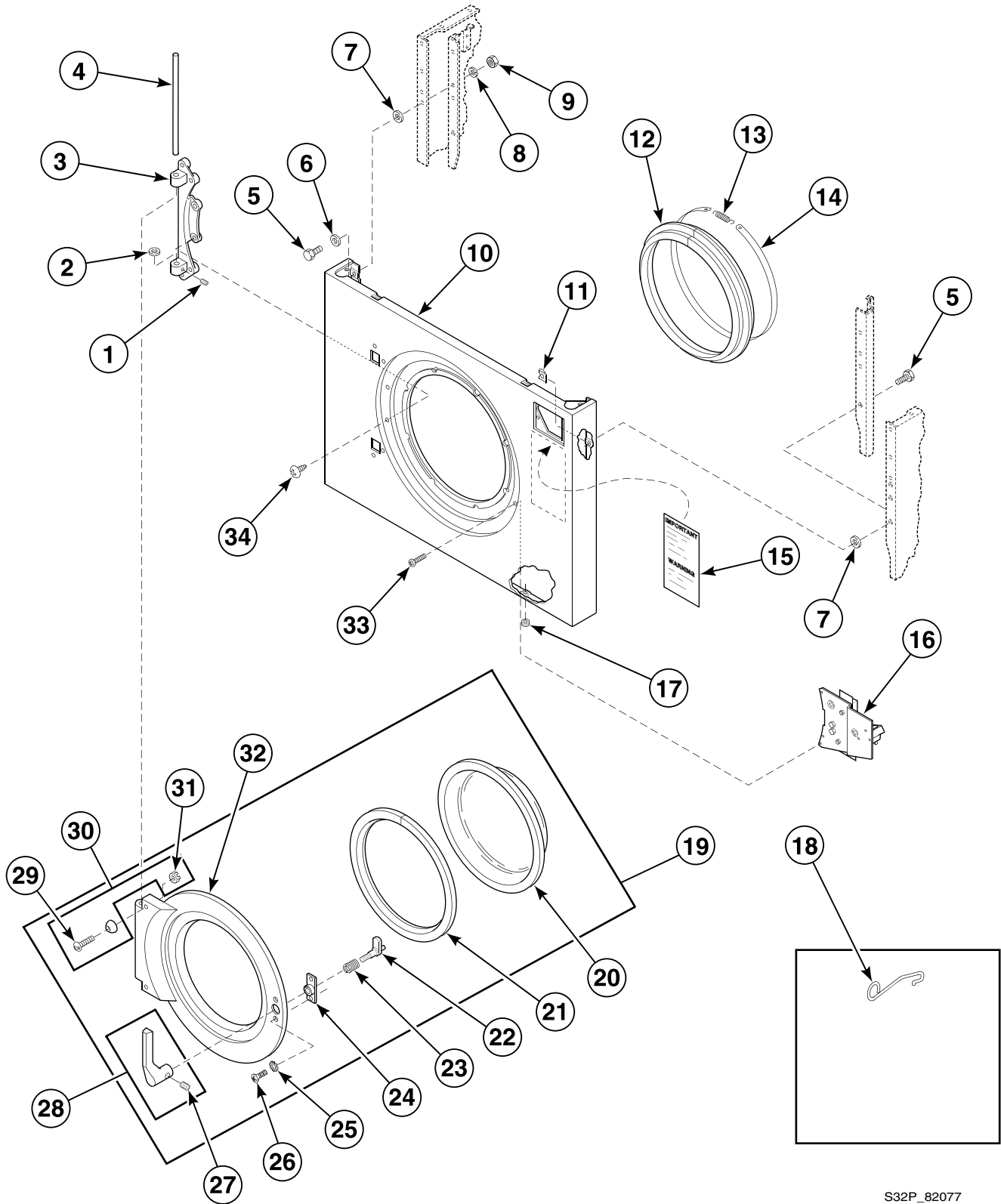
S31P_82077

Cabinet Top and Dispenser Door

REF	PART NO.	DESCRIPTION	COMMENTS
1	81286	Bleach Door Sticker	
2	80399	Screw	
3	N/A	Door Catch	
4	22649	Screw	
5	N/A	Bleach Door Assembly	Includes items 1-3
6	80457	Gasket	
7	81365P	Strike	Includes items 4 and 9
8	81366	Spacer	
9	51236	Nut	
10	N/A	Top and Carton Assembly	Harvest gold
	81511LP	Top and Carton Assembly	Almond
	N/A	Top and Carton Assembly	White
11	81058	Top Hinge	
12	N/A	Nut	
13	33561	Screw	
14	81207	Nut	
15	N/A	Nut	
16	81924	Seal	
17	80498	Bumper	

N/A = Part no longer available

Front Panel, Door Assembly and Door Seal



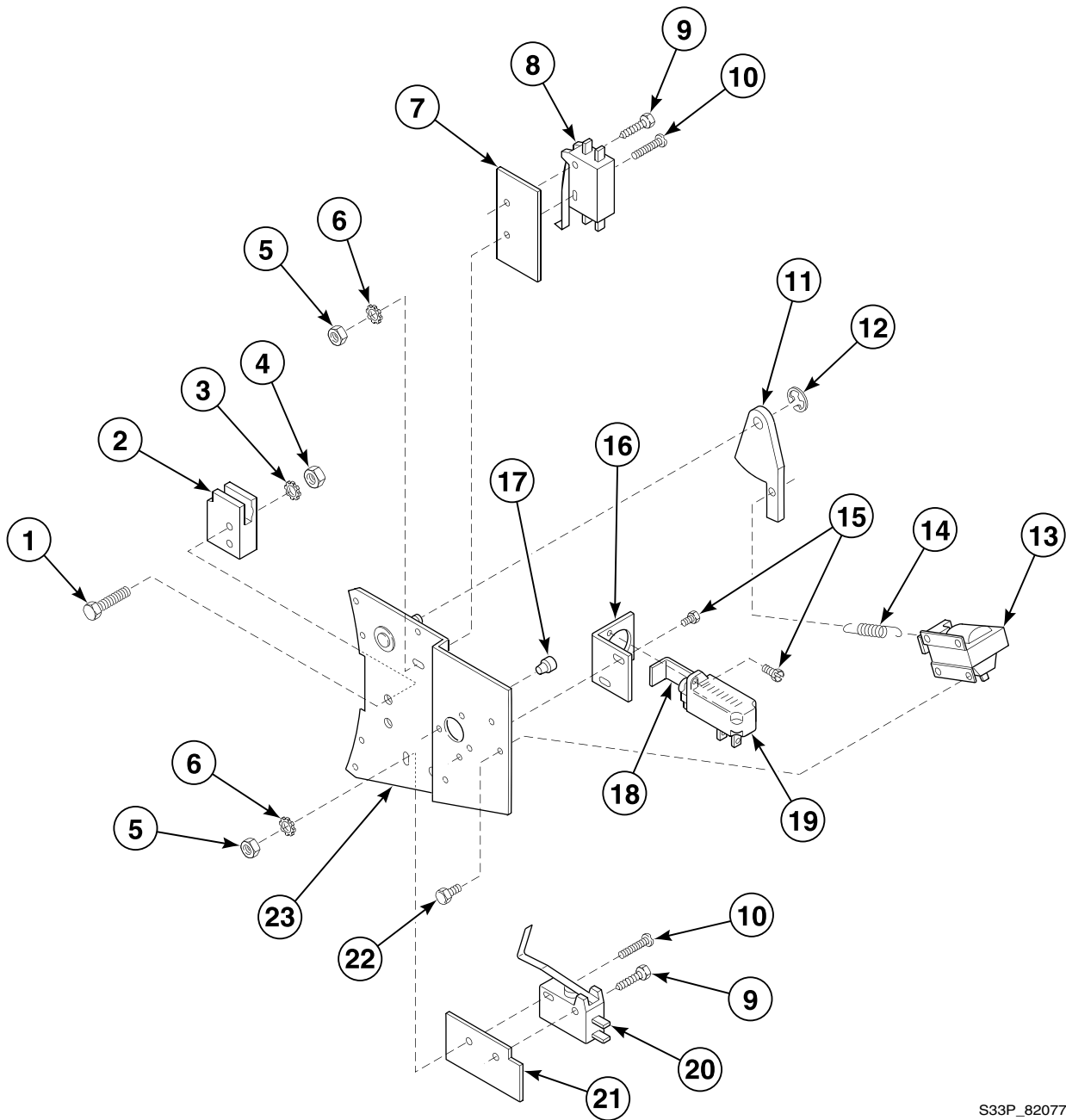
S32P_82077

Front Panel, Door Assembly and Door Seal

REF	PART NO.	DESCRIPTION	COMMENTS
1	23960	Screw	
2	81392	Washer	
3	81959	Hinge	
4	81391	Hinge Pin	
5	20253	Screw	
6	80090	Washer	
7	23225	Washer	
8	03189	Washer	
9	20275	Nut	
10	81404	Front Panel Assembly	Metered models
	N/A	Front Panel Assembly	Non-metered models
11	81061	Nut	
12	81958	Door Seal	
13	N/A	Spring	
14	81298P	Seal Strap	
15	81968	Door Warning Label	SL models
	N/A	Door Warning Label	HL models
16	81995	Door Lock Assembly	50 Hertz
	81981P	Door Lock Assembly	60 Hertz
17	20430	Grommet	
18	81498	Door Release Wire	
19	518P3	Door Kit	Includes items 20-32
20	F290205P	Door Glass Kit	
21	81957	Door Glass Gasket	
22	81985	Pivot Arm	
23	81119	Pivot Arm Spring	
24	532P3	Bushing and Pivot Kit	Includes item 22
25	81408	Washer	
26	81398	Screw	
27	81310	Screw	
28	81035P	Handle	Includes item 27
29	N/A	Screw	
30	N/A	Bumper	Includes items 29 and 31
31	22001	Nut	
32	81956	Door	
33	21081	Screw	
34	81399	Screw	

N/A = Part no longer available

Door Lock Assembly



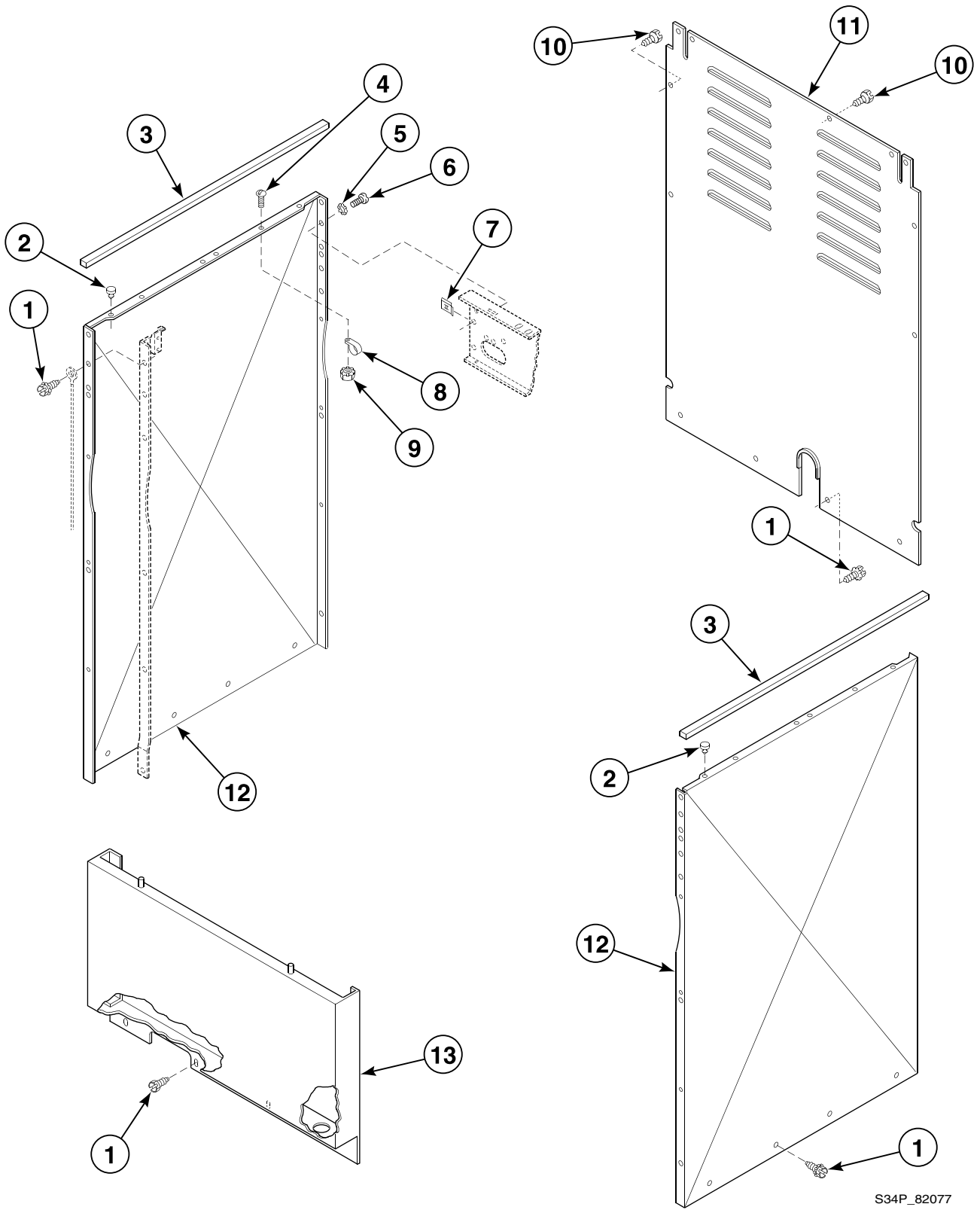
S33P_82077

Door Lock Assembly

REF	PART NO.	DESCRIPTION	COMMENTS
	81971P	Door Lock Harness	
1	20253	Screw	
2	81487	Door Latch Block	
3	02431	Washer	
4	20275	Nut	
5	02788	Nut	
6	51345	Washer	
7	81751	Door Switch Guard	
8	81492	Door Lock Switch	
9	51783	Screw	
10	Q6516	Screw	
11	81488	Latch	
12	N/A	Retaining Ring	
13	81540	Solenoid	50 Hertz
	81493P	Solenoid	60 Hertz
14	N/A	Spring	
15	51782	Screw	
16	81967	Thermoactuator Bracket	
17	52552	Bumper	
18	81966	Thermoactuator Linkage	
19	81994	Thermoactuator	50 Hertz
	81963	Thermoactuator	60 Hertz
20	81359	Door Switch	
21	N/A	Door Switch Guard	
22	51780	Screw	
23	81490	Door Lock Bracket Assembly	

N/A = Part no longer available

Panels



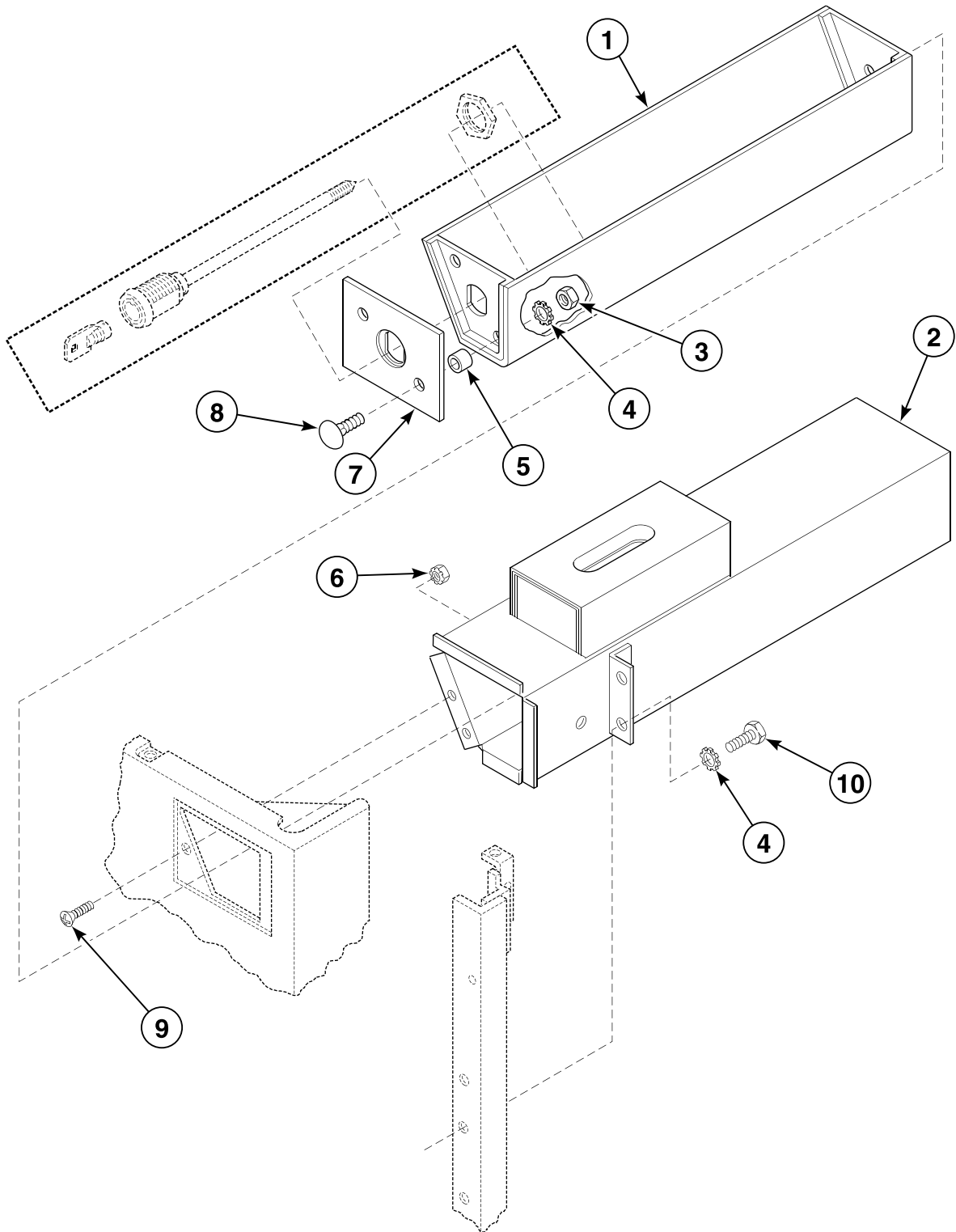
S34P_82077

Panels

REF	PART NO.	DESCRIPTION	COMMENTS
1	33562	Screw	
2	N/A	Bumper	
3	81924	Seal	
4	21355	Screw	
5	03815	Washer	
6	03814	Screw	
7	36020	Nut	
8	N/A	Cable Screw Clamp	
9	51236	Nut	
10	52909	Screw	
11	81016	Back Panel	
12	N/A	Side Panel	Harvest gold
	81512LP	Side Panel	Almond
	81512WP	Side Panel	White
13	N/A	Lower Front Panel Assembly	

N/A = Part no longer available

Coin Vault and Drawer



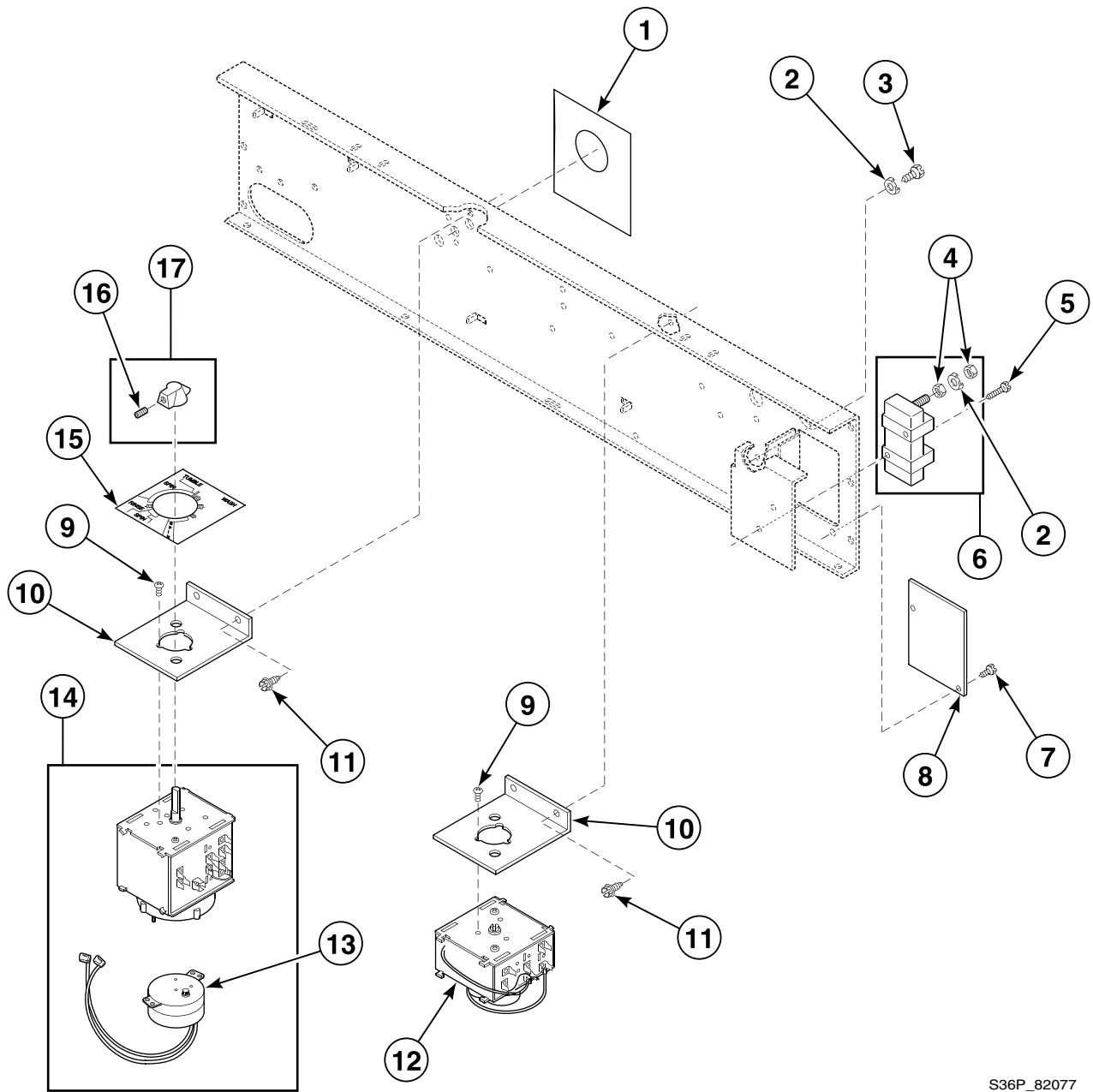
S35P_82077

Coin Vault and Drawer

REF	PART NO.	DESCRIPTION	COMMENTS
	400P3	Face Plate Kit	Includes items 3-5, 7 and 8
1	N/A	Coin Drawer Assembly	
2	N/A	Coin Vault Assembly	
3	20275	Nut	
4	02431	Washer	
5	JA-15762	Bushing	
6	51236	Nut	
7	400P3	Face Plate Kit	
8	02505	Bolt	
9	22649	Screw	
10	24233	Screw	

N/A = Part no longer available

Timers and Terminal Block



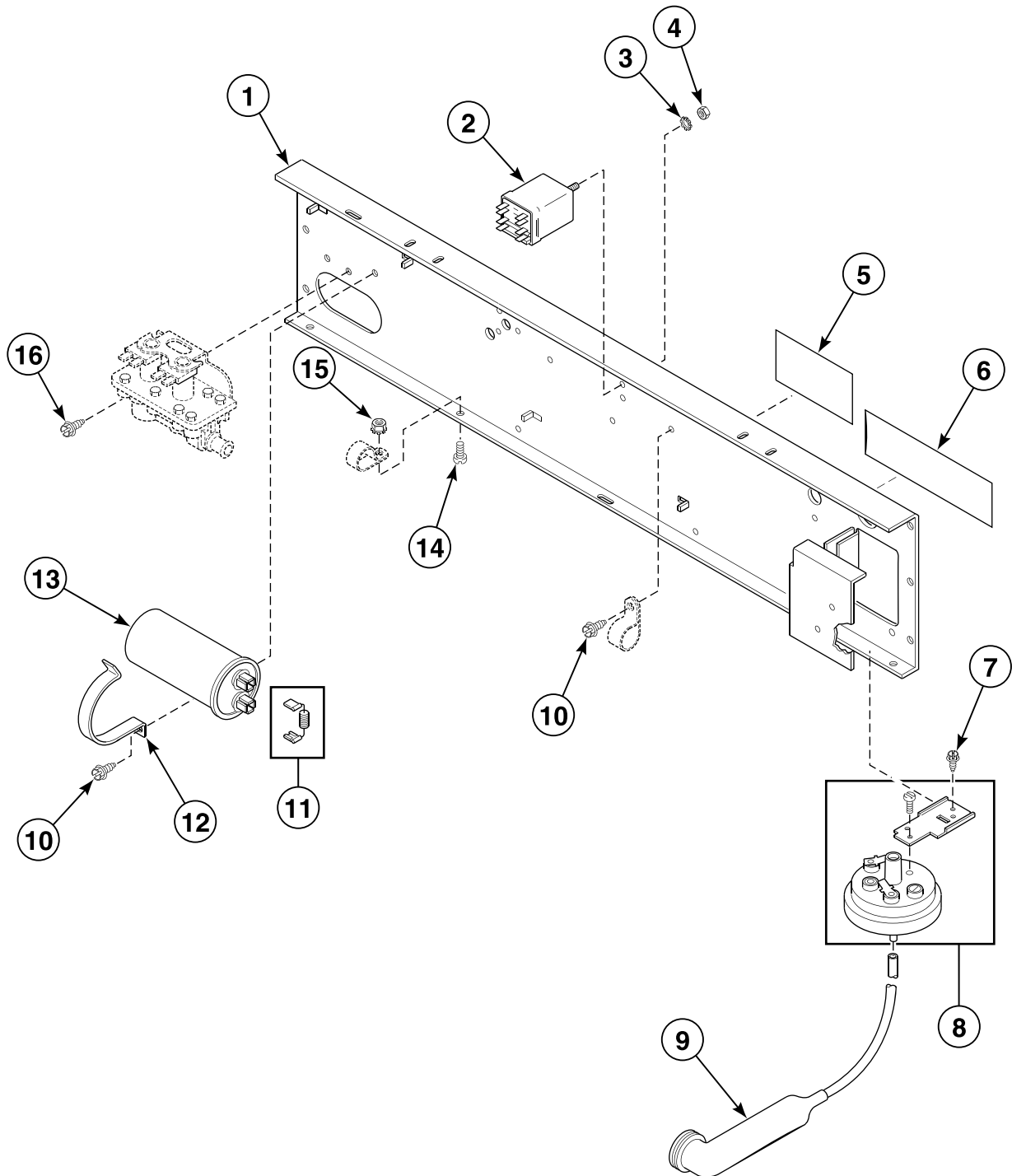
S36P_82077

Timers and Terminal Block

REF	PART NO.	DESCRIPTION	COMMENTS
1	81618	Manual Control Timer Sticker	
2	51474	Washer	
3	52909	Screw	
4	Q6163	Nut	
5	Q6535	Screw	
6	50854A	Terminal Block Assembly	
7	23222	Screw	
8	N/A	Cross Chanel Cover	
9	22649	Screw	
10	81097	Timer Bracket	
11	51780	Screw	
12	81616	Reversing Timer	50 Hertz
	N/A	Reversing Timer	60 Hertz
13	26290	Timer Motor	50 Hertz
	N/A	Timer Motor	60 Hertz
14	81694	Timer	50 Hertz; Includes item 13
	81693P	Timer Kit	60 Hertz; Includes item 13
15	81619	Timer Sticker	
16	N/A	Setscrew	
17	N/A	Knob	Includes item 16

N/A = Part no longer available

Cross Channel, Capacitor, Relay and Pressure Switch



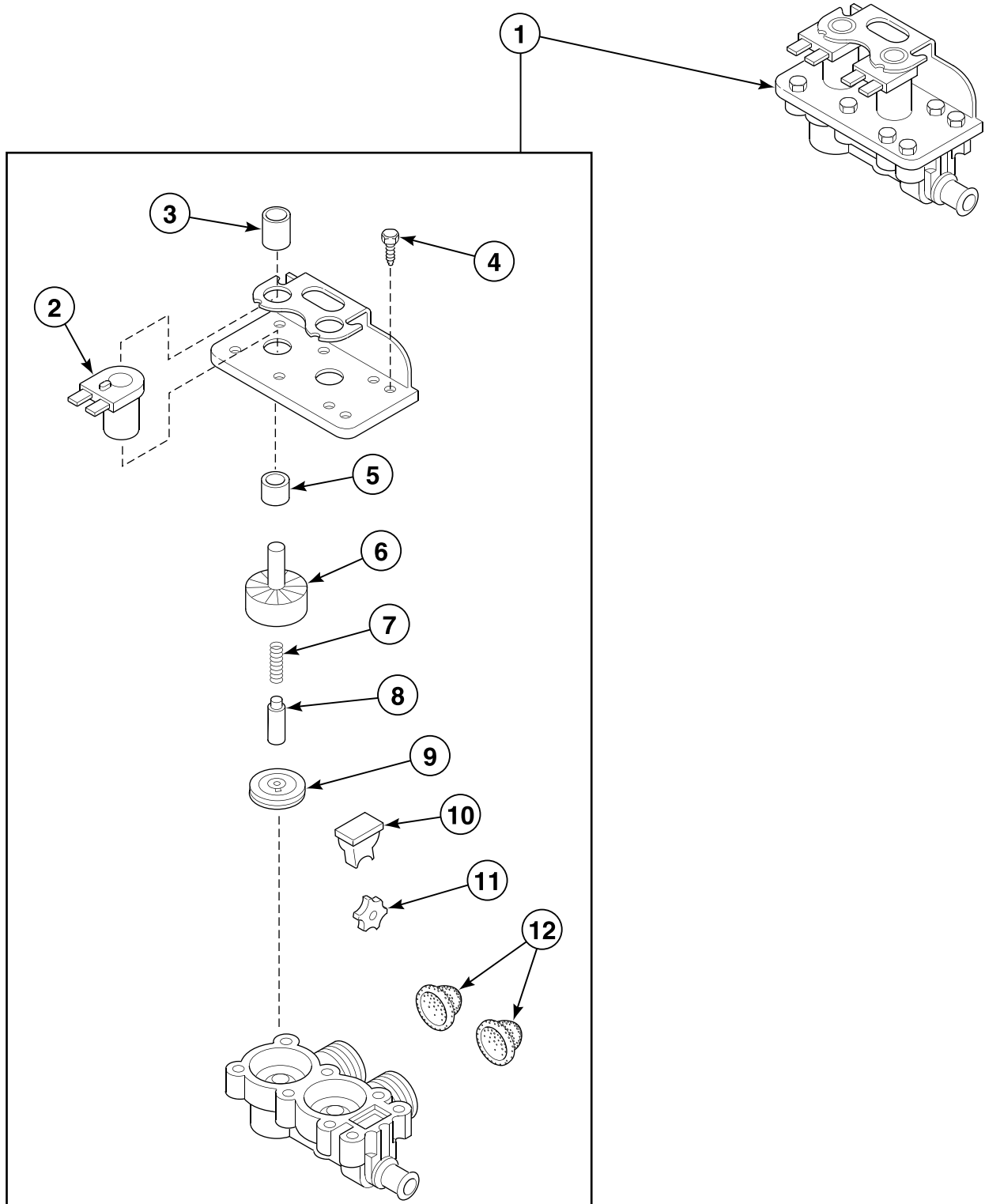
S37P_82077

Cross Channel, Capacitor, Relay and Pressure Switch

REF	PART NO.	DESCRIPTION	COMMENTS
1	N/A	Cross Channel Assembly	
2	81624P	Relay	
3	51345	Washer	
4	02788	Nut	
5	82087	Warning Label	
6	N/A	Fuse Instructions	
7	51780	Screw	
8	81068P	Pressure Switch	
9	22822	Pressure Hose	
10	23962	Screw	
11	81642	Resistor Assembly	
12	81644	Capacitor Bracket	
13	81627	Capacitor	
14	03814	Screw	
15	23951	Nut	
16	23962	Screw	

N/A = Part no longer available

Mixing Valve



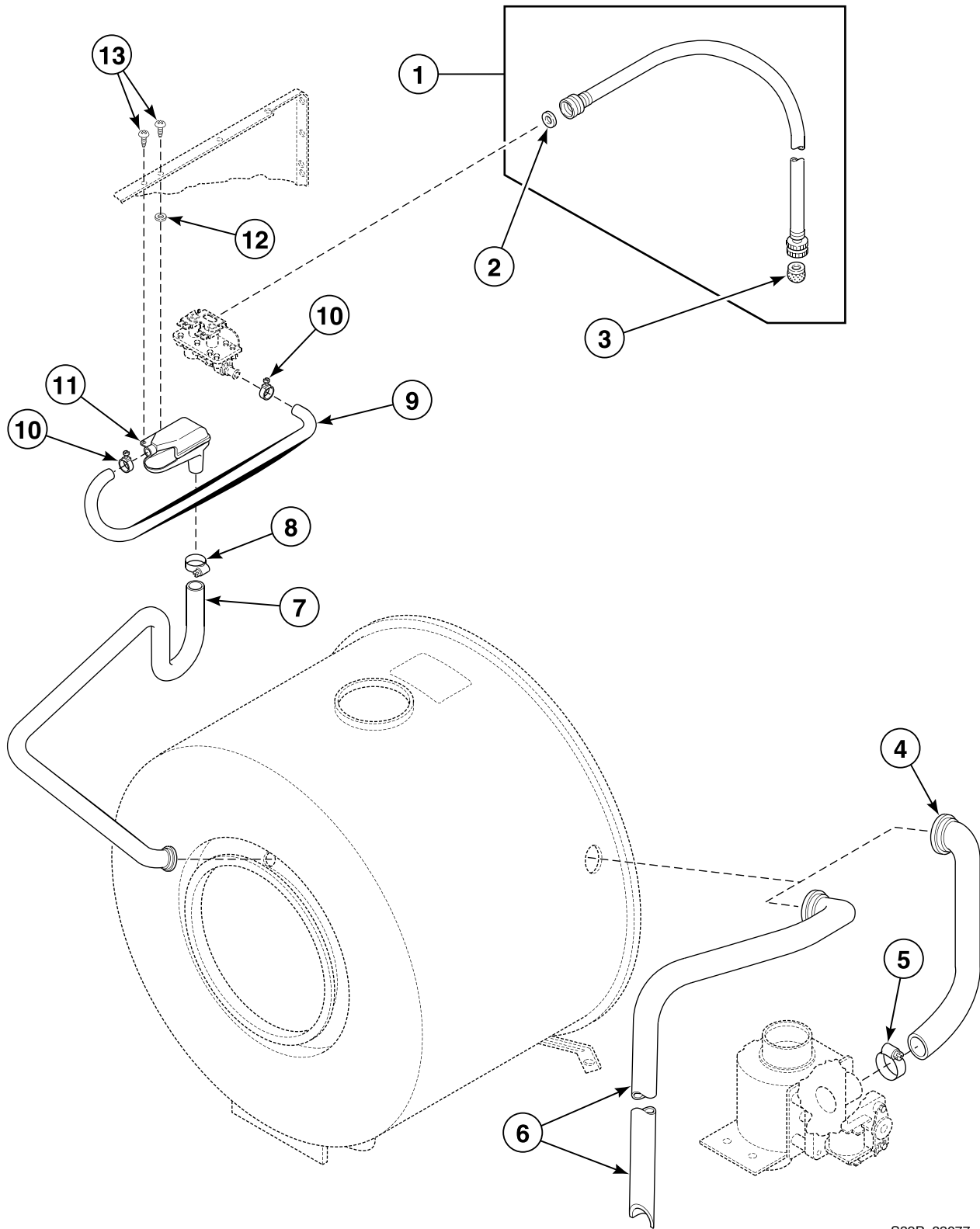
S38P_82077

Mixing Valve

REF	PART NO.	DESCRIPTION	COMMENTS
1	N/A	Mixing Valve	50 Hertz; Includes items 2-12
	25832P	Mixing Valve	60 Hertz; Includes items 2-12
2	N/A	Solenoid	50 Hertz
	N/A	Solenoid	60 Hertz
3	N/A	Sleeve	Long
4	N/A	Screw	
5	N/A	Sleeve	Short
6	N/A	Armature Guide	
7	N/A	Spring	
8	N/A	Armature	
9	N/A	Diaphragm	
10	N/A	Flow Regulator Plug	
11	N/A	Flow Regulator	
12	N/A	Screen	

N/A = Part no longer available

Water Inlet and Hoses



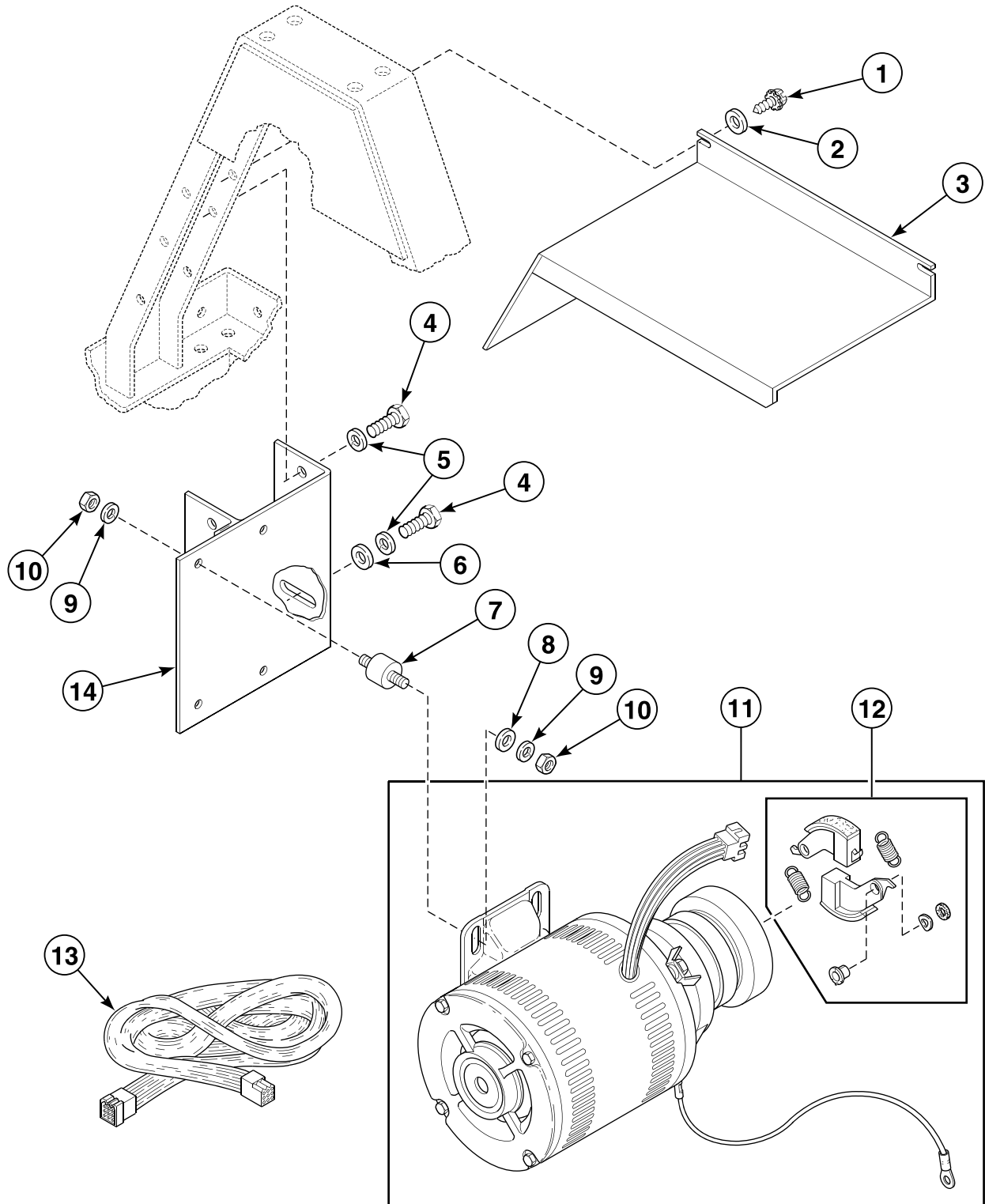
S39P_82077

Water Inlet and Hoses

REF	PART NO.	DESCRIPTION	COMMENTS
1	28330P	Fill Hose Kit	Includes items 2 and 3
2	20290	Washer	
3	N/A	Filter Washer	
4	N/A	Overflow Hose	Non-pump models
5	90554	Hose Clamp	No. 24
6	81082	Overflow Hose	Pump models
7	81080	Water Inlet Hose	
8	20391	Hose Clamp	No. 15
9	81705	Water Inlet To Valve Hose	
10	36801	Hose Clamp	No. 6
11	80600	Water Inlet	
12	N/A	Washer	
13	51778	Screw	

N/A = Part no longer available

Drive Motor and Shield



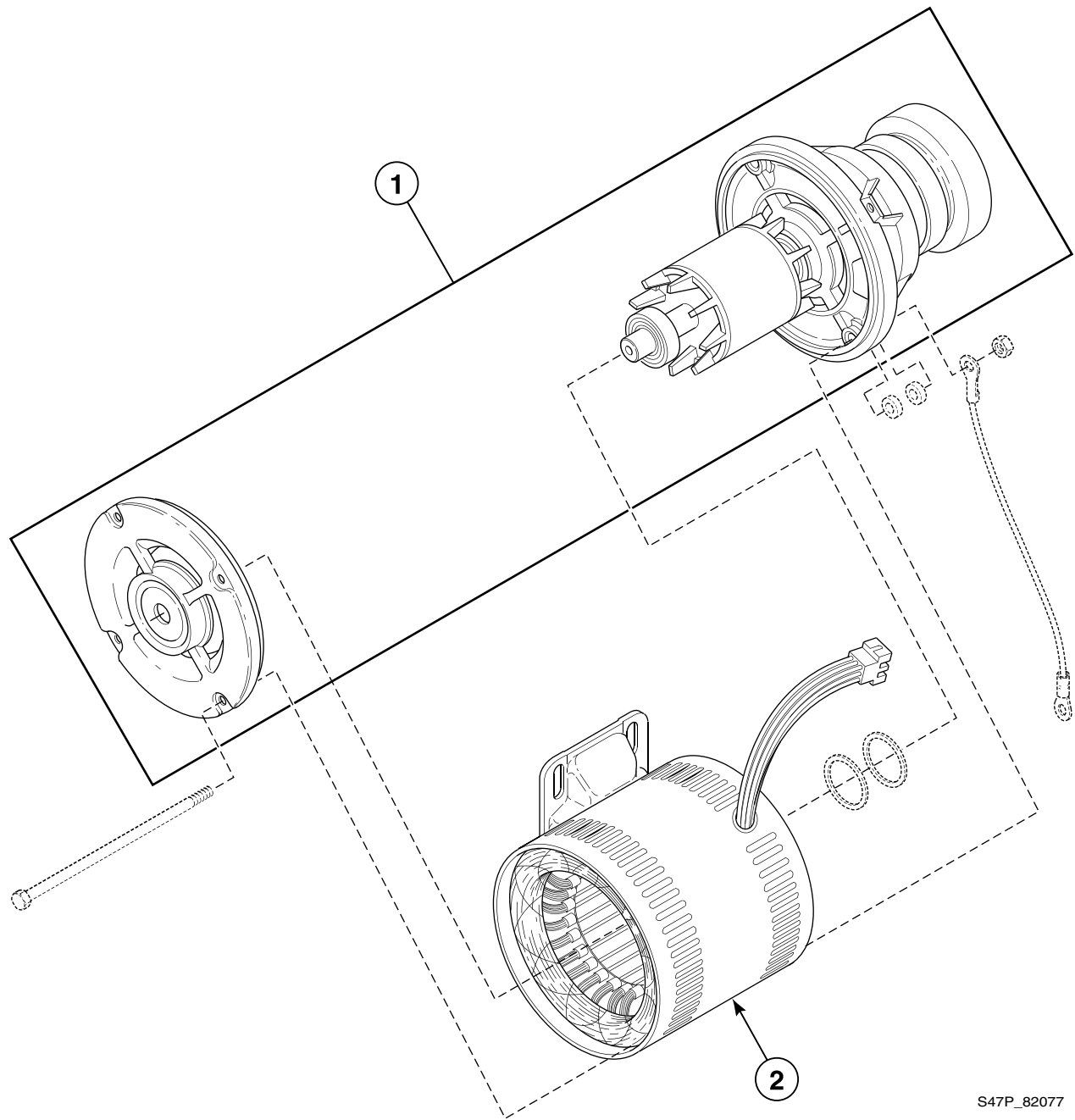
S46P_82077

Drive Motor and Shield

REF	PART NO.	DESCRIPTION	COMMENTS
1	33562	Screw	
2	20103	Washer	
3	81802	Motor Shield Assembly	
4	M400043	Screw	
5	N/A	Lockwasher	
6	20279	Washer	
7	81055	Shock Mounting	
8	Q6066	Washer	
9	M400013	Washer	
10	70142	Nut	
11	589P3	Drive and Motor Cross Channel Kit	Includes item 12; 50 Hertz; SL models
	587P3	Drive and Motor Cross Channel Kit	Includes item 12; 60 Hertz; SL models
	82084	Motor and Drive Assembly	Includes item 12; HL models
12	355P3	Clutch Repair Kit	
13	81691P	Test Harness Assembly	
14	81654P	Mounting Bracket Kit	

N/A = Part no longer available

Drive Motor



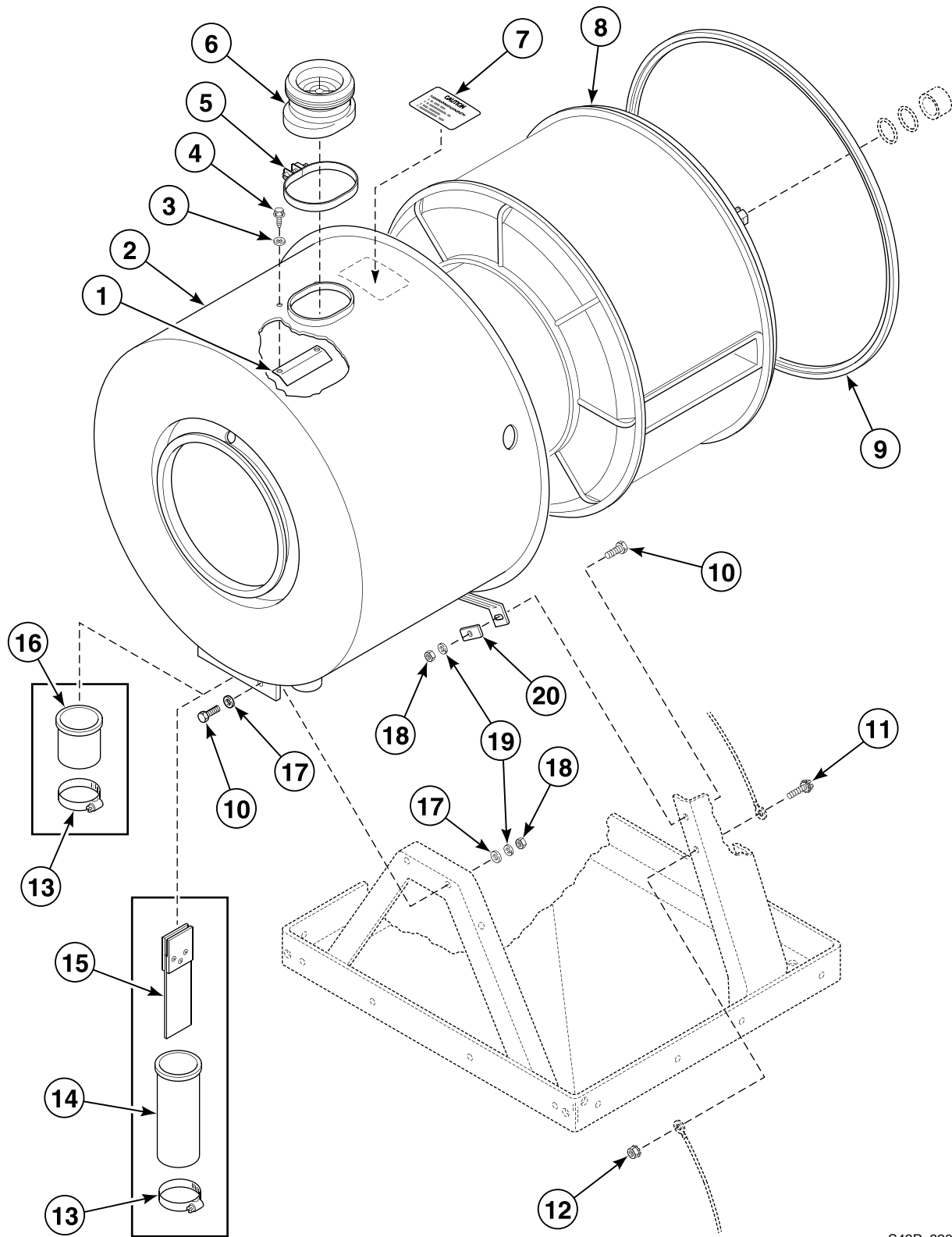
S47P_82077

Drive Motor

REF	PART NO.	DESCRIPTION	COMMENTS
1	N/A	Rotor and Drive Assembly	
2	N/A	Stator	SL models
	N/A	Stator	HL models

N/A = Part no longer available

Dispenser Boot, Outer Tub, Cylinder and Button Trap



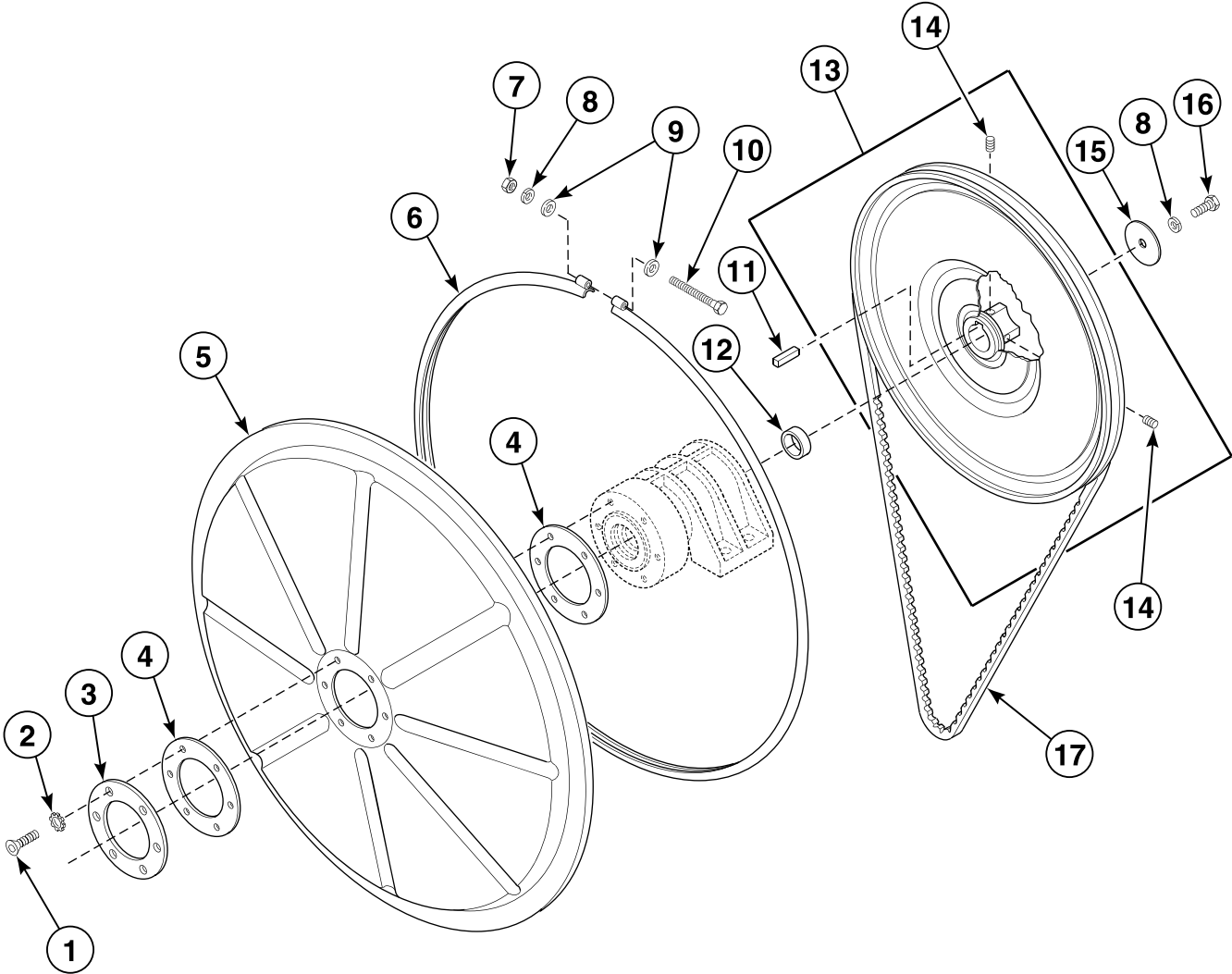
S43P_82077

Dispenser Boot, Outer Tub, Cylinder and Button Trap

REF	PART NO.	DESCRIPTION	COMMENTS
1	81376	Deflector	
2	N/A	Tub Assembly	
3	81380	Washer	
4	M405936	Screw	
5	81294	Hose Clamp	
6	81194	Dispenser Boot	
7	81375	Caution Sticker	SL models
	N/A	Caution Sticker	HL models
8	81170P	Cylinder Assembly	
9	81052	Tub Head Gasket	
10	91202	Screw	
11	23008	Screw	
12	23951	Nut	
13	F200201	Hose Clamp	No. 48
14	N/A	Button Trap	Replaced by item 16
15	N/A	Filter Assembly	Replaced by item 16
16	N/A	Trap	
17	Q6066	Washer	
18	80116	Nut	
19	M400013	Washer	
20	81345	Washer	

N/A = Part no longer available

Bulkhead, Clamp Ring, Cylinder Pulley and Belt



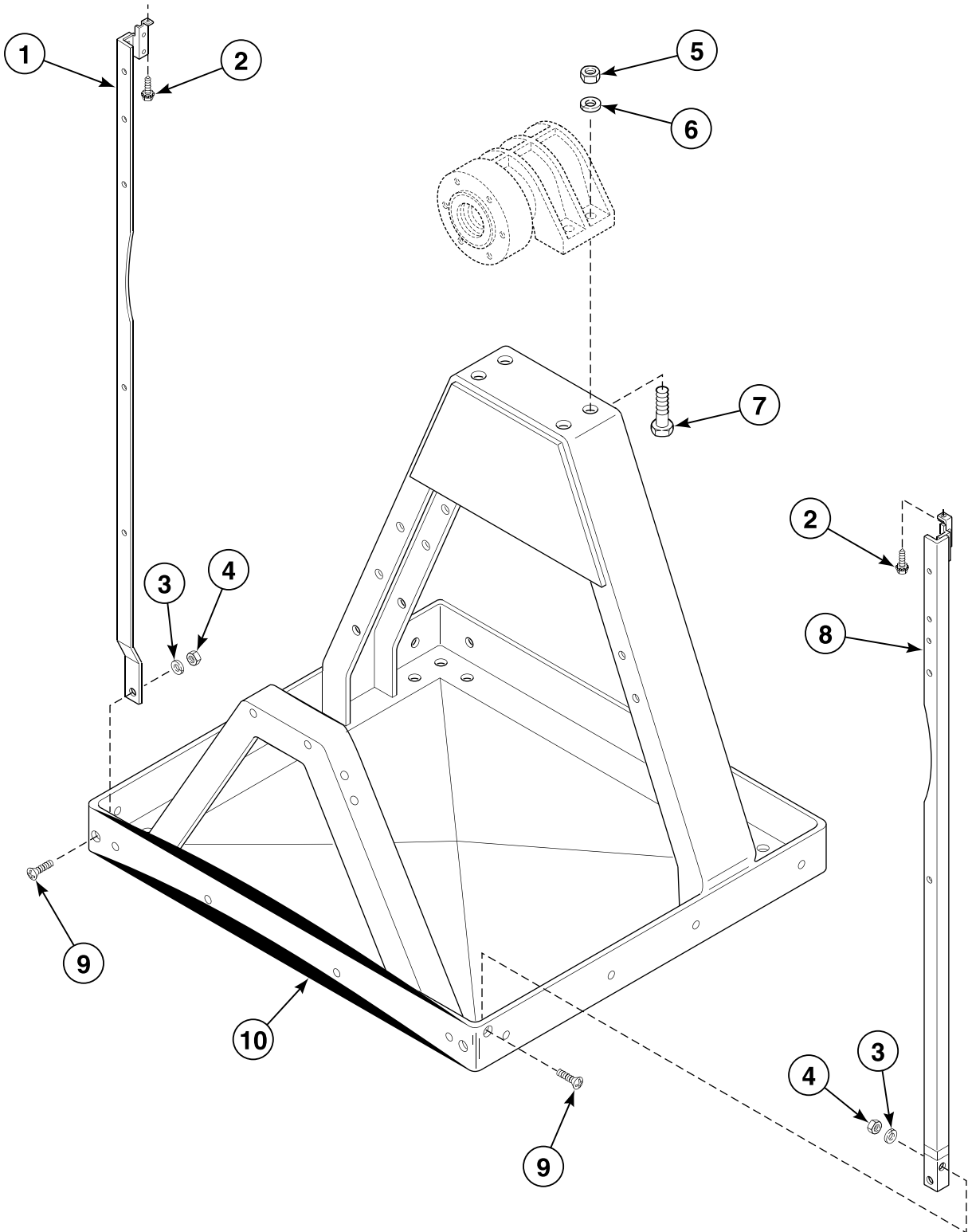
S44P_82077

Bulkhead, Clamp Ring, Cylinder Pulley and Belt

REF	PART NO.	DESCRIPTION	COMMENTS
1	81057	Screw	
2	24475	Washer	
3	81050	Reinforcing Ring	
4	81049	Gasket	
5	81015P	Bulkhead	
6	N/A	Clamp Ring Assembly	
7	80116	Nut	
8	M400013	Washer	
9	Q6066	Washer	
10	M413565	Screw	
11	81085	Key	
12	81461	Spacer	
13	N/A	Pulley and Hub Assembly	50 Hertz; Includes item 14
	81728	Pulley and Hub Assembly	60 Hertz; Includes item 14
14	81087	Screw	
15	81352	Washer	
16	91202	Screw	
17	81064	Belt	50 Hertz
	81459	Belt	60 Hertz

N/A = Part no longer available

Base and Front Legs



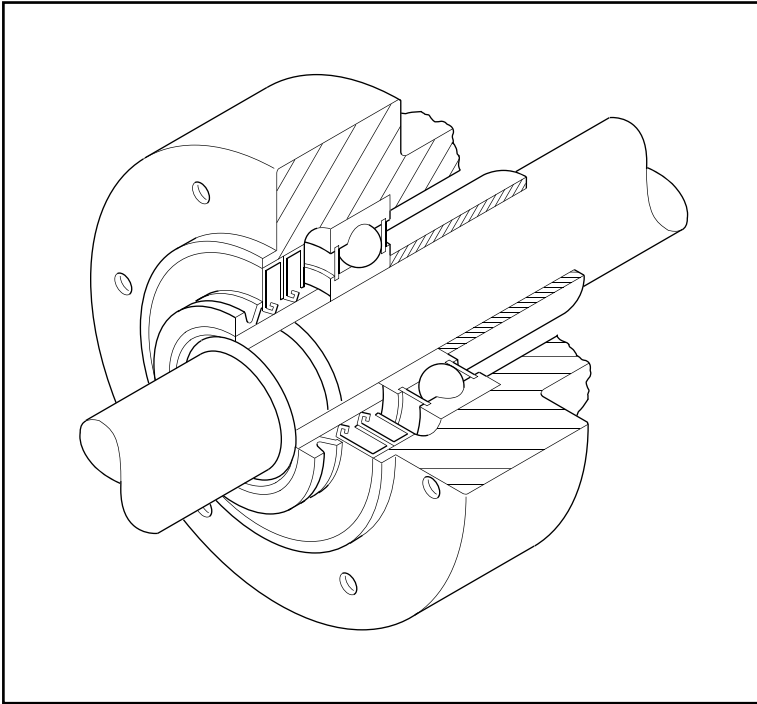
S48P_82077

Base and Front Legs

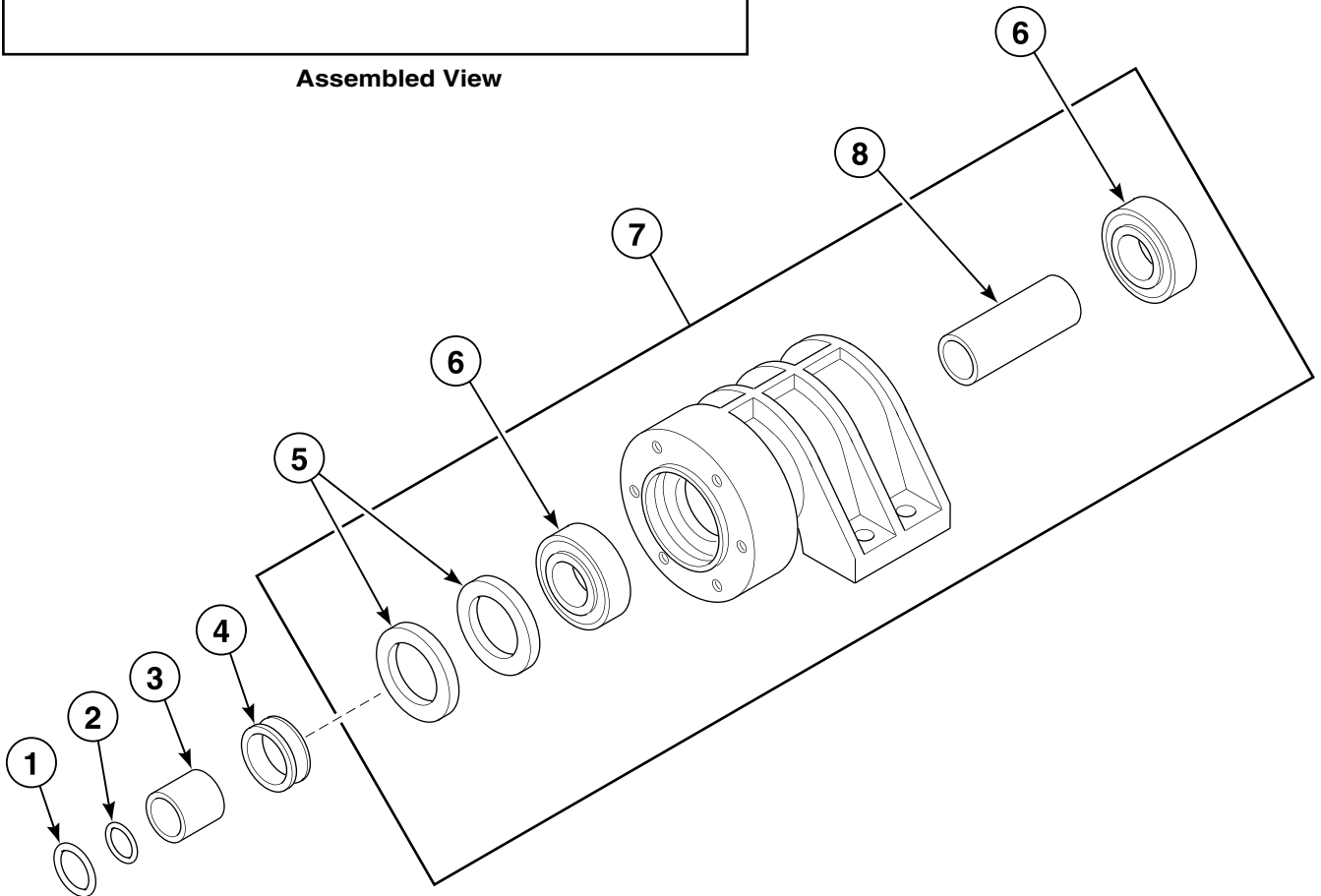
REF	PART NO.	DESCRIPTION	COMMENTS
1	81042	Left Leg Assembly	
2	23008	Screw	
3	03189	Washer	
4	20275	Nut	
5	N/A	Nut	
6	91200	Washer	
7	81086	Screw	
8	N/A	Right Leg Assembly	
9	81057	Screw	
10	N/A	Frame and Base Assembly	

N/A = Part no longer available

Bearing Housing Assembly



Assembled View



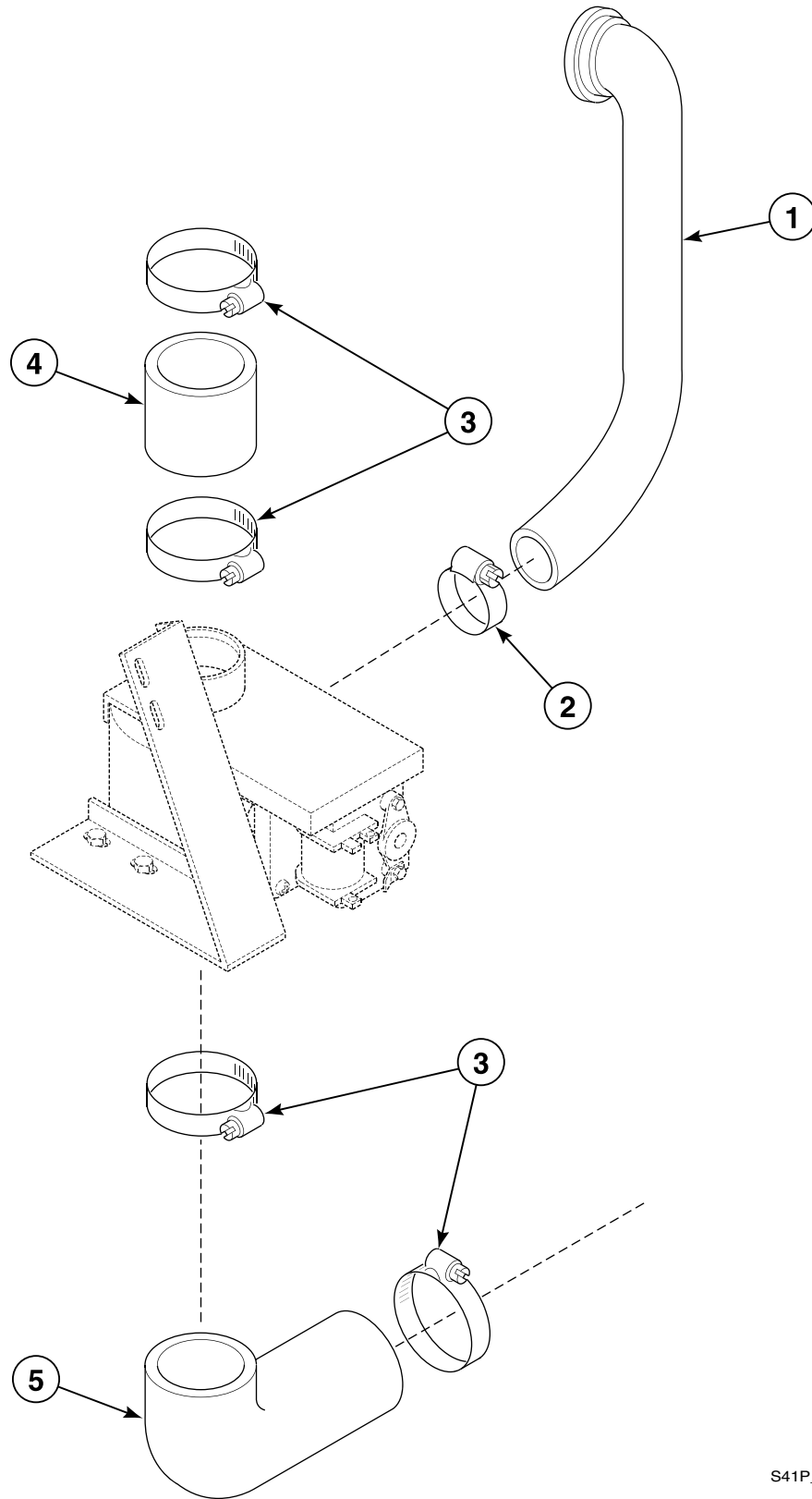
S45P_82077

Bearing Housing Assembly

REF	PART NO.	DESCRIPTION	COMMENTS
1	N/A	Gasket	
2	81191	O-Ring	
3	81471	O-Ring Gland	
4	81470	V-Ring Seal	
5	81482	Seal	
6	80430P	Bearing	
7	81476P	Bearing Housing Assembly	Includes items 5, 6 and 8
8	81472	Bearing Housing Spacer	

N/A = Part no longer available

Drain - Non-Pump Models



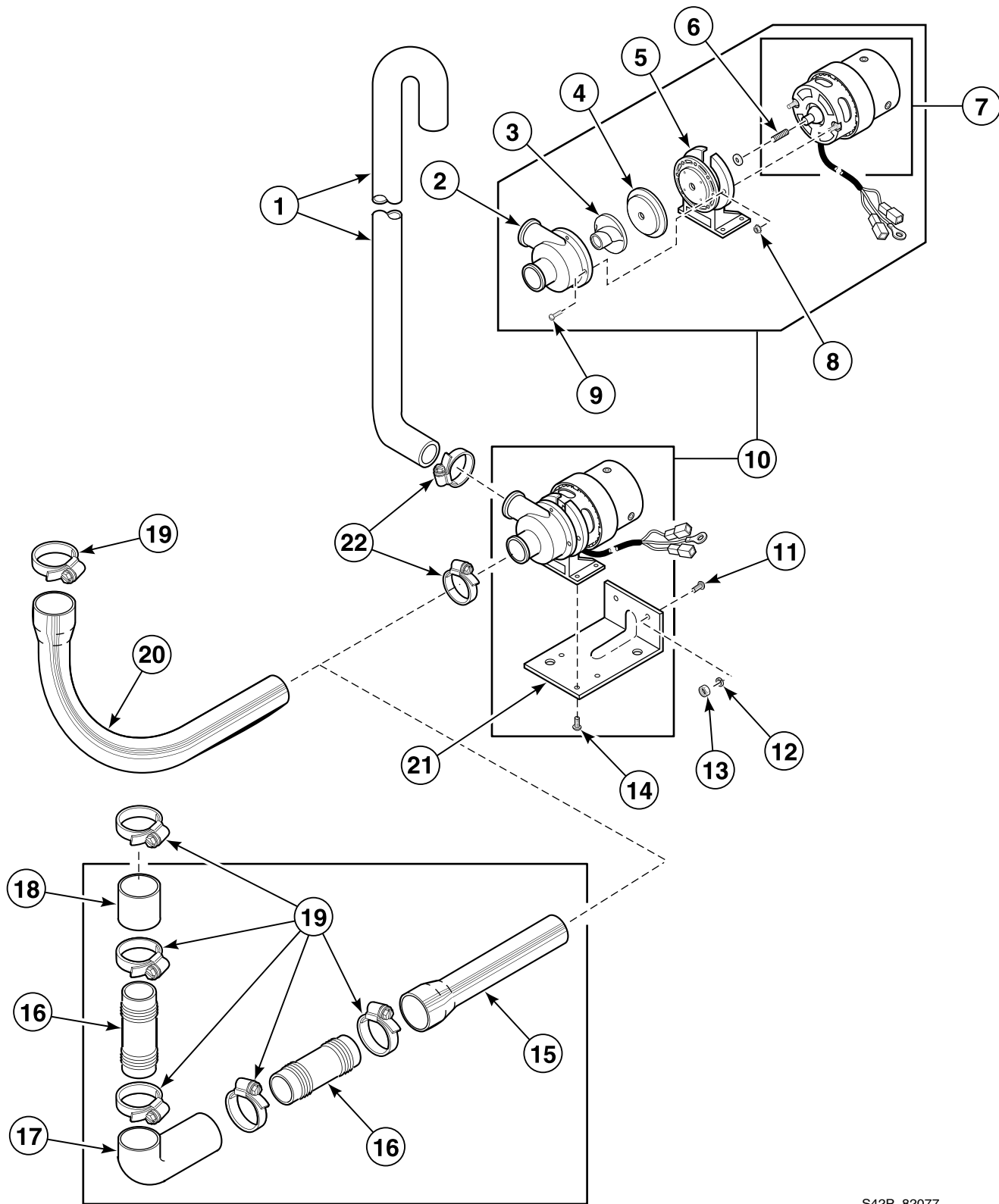
S41P_82077

Drain - Non-Pump Models

REF	PART NO.	DESCRIPTION	COMMENTS
1	N/A	Overflow Hose	
2	90554	Hose Clamp	No. 24
3	80707	Clamp	
4	81056	Drain Hose	
5	N/A	Hose	

N/A = Part no longer available

Drain - Pump Models



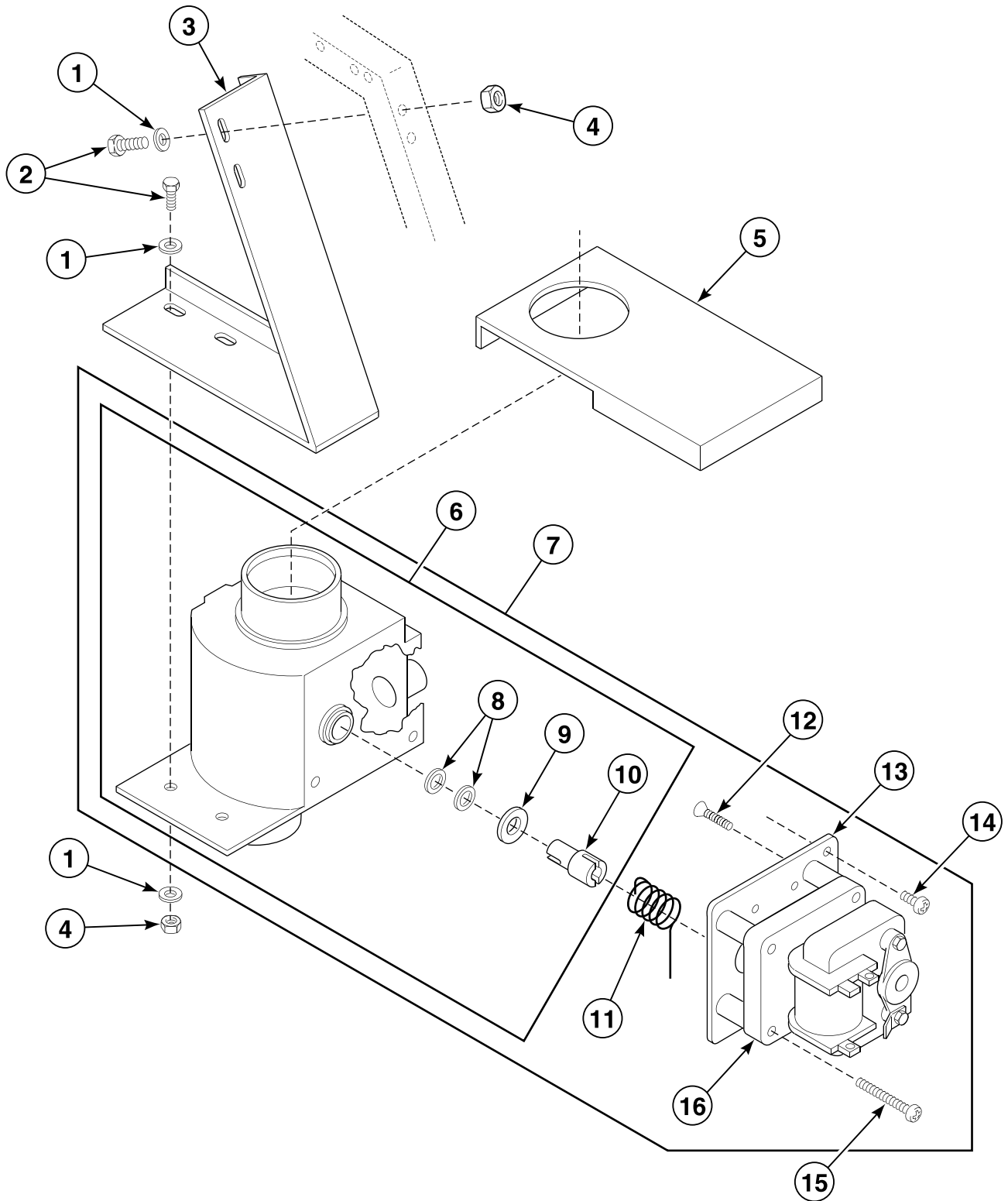
S42P_82077

Drain - Pump Models

REF	PART NO.	DESCRIPTION	COMMENTS
1	81069	Drain Hose	
2	81115D	Pump Body Kit	
3	81115E	Impeller	
4	81115C	Shaft Seal and Liner Assembly	
5	N/A	Mounting Bracket	
6	81115G	Screw	
7	81115AP	Pump Motor Assembly	Includes item 6
8	51236	Nut	
9	N/A	Screw	
10	81444	Motorized Pump	50 Hertz; Includes items 2-9, 14 and 21
	81185P	Pump and Bracket Assembly	60 Hertz; Includes items 2-9, 14 and 21
11	24233	Screw	
12	M400013	Washer	
13	70142	Nut	
14	33561	Screw	
15	N/A	Drain Hose	Replaced by item 20
16	81210	Hose Coupling	
17	N/A	Hose	Replaced by item 20
18	81056	Drain Hose	
19	80707	Clamp	
20	82082	Drain Hose	
21	81181	Pump Mount Bracket	
22	90554	Hose Clamp	No. 24

N/A = Part no longer available

Drain Valve Assembly - Non-Pump Models

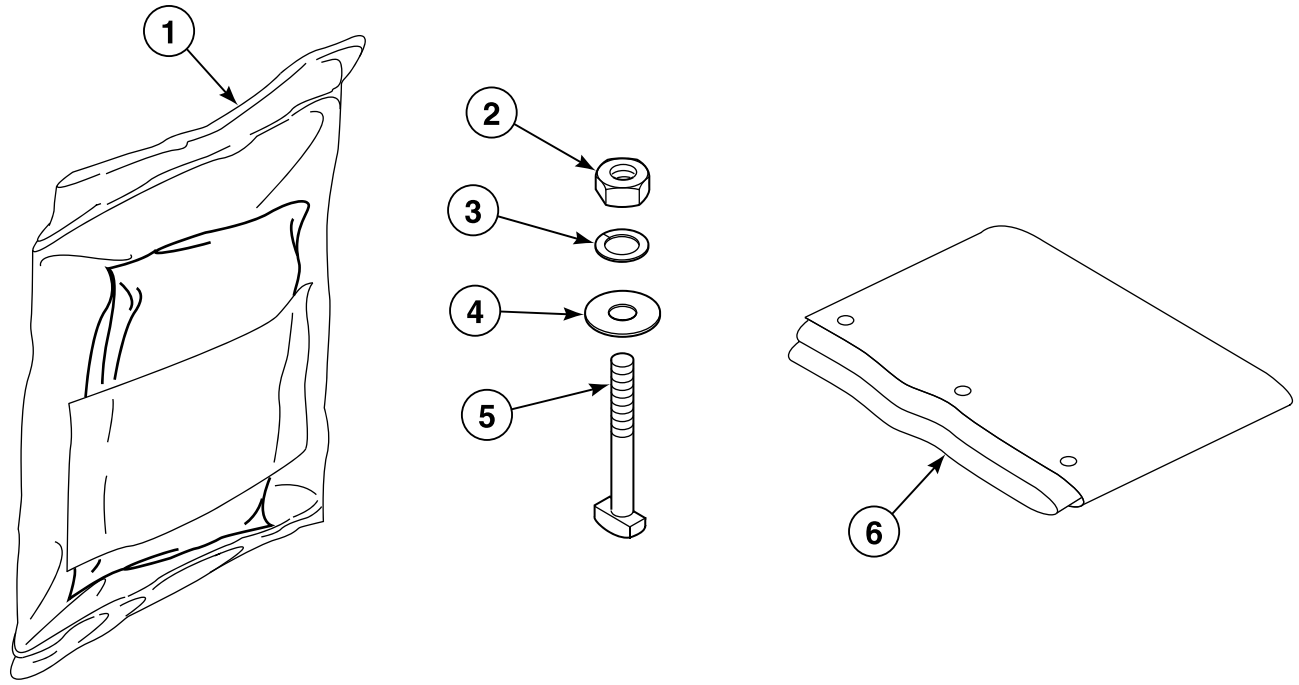


S40P_82077

Drain Valve Assembly - Non-Pump Models

REF	PART NO.	DESCRIPTION	COMMENTS
	81945	Wire Harness Assembly	Drain valve
1	80090	Washer	
2	24233	Screw	
3	81940	Drain Valve Bracket	
4	52566	Nut	
5	81941	Drain Valve Shield	
6	G132530	Drain Valve Body	Includes items 8-10
7	81937	Drain Valve	120 Volt; Includes items 6 and 11-16
	81938	Drain Valve	220 Volt; Includes items 6 and 11-16
8	G163394	Drain Valve V-Seal	
9	G166629	Washer	
10	81937BP	Drive Pin and Spring Assembly	
11	G159731	Drive Spring	
12	G166611	Screw	
13	G166553	Drain Valve Motor Plate	
14	G166595	Screw	
15	G166603	Screw	
16	81937CP	Drain Valve Motor	120 Volt
	81938A	Drain Valve Motor	220 Volt

Installation Kit



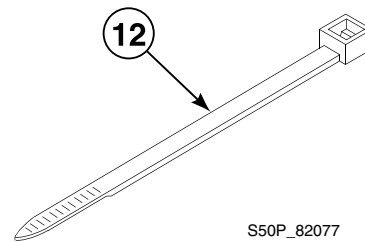
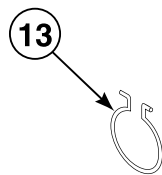
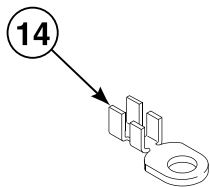
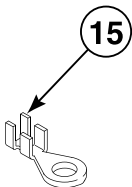
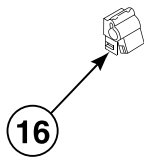
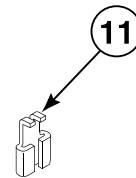
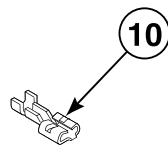
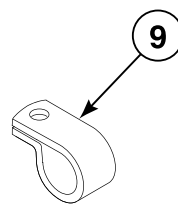
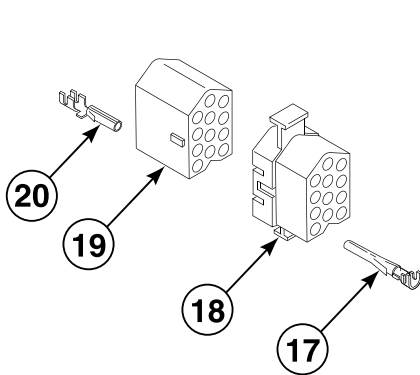
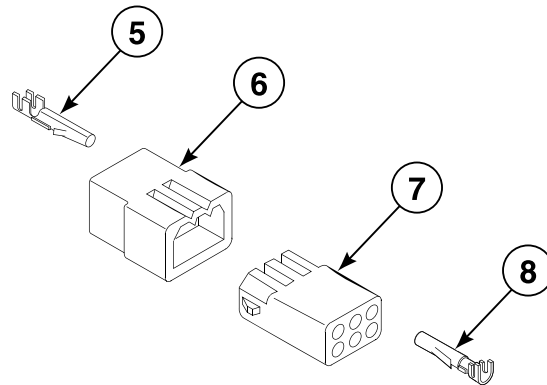
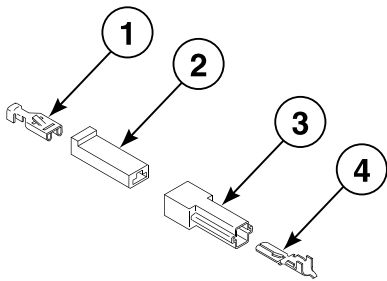
S49P_82077

Installation Kit

REF	PART NO.	DESCRIPTION	COMMENTS
	N/A	Installation Kit	Includes items 1-6
1	N/A	Cement	
2	N/A	Nut	
3	91200	Washer	
4	N/A	Spacer	
5	N/A	Screw	
6	N/A	Mounting Bolt Template	

N/A = Part no longer available

Terminals



S50P_82077

Terminals

REF	PART NO.	DESCRIPTION	COMMENTS
1	00115	Female Spade Terminal	
2	90789	Receptacle Housing	
3	90788	Tab Housing	
4	00133	Male Tab Terminal	
5	00116	Male Pin Terminal	
6	23041	6 Circuit Plug	
	23033	9 Circuit Plug	
	23037	15 Circuit Plug	
7	26708	6 Circuit Receptacle	
	26163	9 Circuit Receptacle	
	431396	15 Circuit Receptacle	
8	00117	Female Pin Terminal	
9	N/A	Cable Screw Clamp	
10	00223	Female Spade Terminal	
11	00120	Female Flag Terminal	
12	55881	Harness Strap	
13	51291	Wire Clip	
14	00111	Ring Terminal	
15	00110	Ring Terminal	
16	81469	Terminal Insulator	
17	00129	Male Pin Terminal	
18	N/A	Receptacle	Used with coin drop wire harness
19	56855	12 Circuit Receptacle	Used with control panel wire harness
20	00130	Female Pin Terminal	

N/A = Part no longer available

Parts Index

B

Back Panel	
81016	17
Bearing	
80430P	39
Bearing Housing Assembly	
81476P	39
Bearing Housing Spacer	
81472	39
Belt	
81064	35
81459	35
Bleach Door Sticker	
81286	11
Bleach Indicator Light	
81074	9
81078	9
Blocking Solenoid	
81964B	5
Bolt	
02505	19
Bulkhead	
81015P	35
Bumper	
52552	15
80498	11
Bushing	
JA-15762	19
Bushing and Pivot Kit	
532P3	13

C

Cable Screw Clamp	
90213	49
Capacitor	
81627	23
Capacitor Bracket	
81644	23
Caution Sticker	
81375	33
Clamp	
80707	41, 43
81636	9
Clutch Repair Kit	
355P3	29
Coin Acceptor Assembly	
81823P	7
Coin Blocking Assembly	
F160557	7
Coin Drawer Assembly	
81739	19
Coin Drop Door	
81186	5, 7, 9
Coin Drop Kit	
81822P	7

Coin Meter Kit	
499P3	7
Coin Switch	
81890P	7
Control Panel Overlay	
81910	9
Cylinder Assembly	
81170P	33

D

Deflector	
81376	33
Detergent Indicator Light	
81077	9
Dispenser Boot	
81194	33
Door	
81956	13
Door Glass Gasket	
81957	13
Door Glass Kit	
F290205P	13
Door Kit	
518P3	13
Door Latch Block	
81487	15
Door Lock Assembly	
81981P	13
81995	13
Door Lock Bracket Assembly	
81490	15
Door Lock Harness	
81971P	15
Door Lock Switch	
81492	15
Door Release Wire	
81498	13
Door Seal	
81958	13
Door Switch	
81359	15
Door Switch Guard	
81751	15
Door Warning Label	
81968	13
Drain Hose	
81056	41, 43
81069	43
82082	43
Drain Valve	
81937	45
81938	45
Drain Valve Body	
G132530	45
Drain Valve Bracket	
81940	45
Drain Valve Motor	
81937CP	45
81938A	45

N/A items do not appear in index.

Drain Valve Motor Plate G166553	45
Drain Valve Shield 81941	45
Drain Valve V-Seal G163394	45
Drive and Motor Cross Channel Kit 587P3	29
589P3	29
Drive Pin and Spring Assembly 81937BP	45
Drive Spring G159731	45

F

Face Plate Kit 400P3	19
Female Flag Terminal 00120	49
Female Pin Terminal 00117	49
00130	49
Female Spade Terminal 00115	49
00223	49
Fill Hose Kit 28330P	27
Front Panel Assembly 81404	13
Fuse 81964A	5

G

Gasket 80457	11
81049	35
Grommet 20430	13

H

Handle 81035P	13
Harness Strap 55881	49
Hinge 81959	13
Hinge Pin 81391	13
Hose Clamp F200201	33
20391	27
36801	27
81294	33
90554	27, 41, 43
Hose Coupling 81210	43

I

Impeller 81115E	43
Instructions Sign 82008	9

K

Key 81085	35
81263B	9

L

Latch 81488	15
Left Leg Assembly 81042	37

M

Male Pin Terminal 00116	49
00129	49
Male Tab Terminal 00133	49
Manual Control Timer Sticker 81618	21
Mixing Valve 25832P	25
25964	25
Motor and Drive Assembly 82084	29
Motor Shield Assembly 81802	29
Motorized Pump 81444	43
Mounting Bracket Kit 81654P	29

N

Nut Q6163	21
02788	15, 23
20275	13, 15, 19, 37
22001	13
23951	23, 33
24205	9
36020	17
51236	11, 17, 19, 43
52566	45
70054	9
70142	29, 43
80116	33, 35
81061	13
81178	9
81207	9, 11

N/A items do not appear in index.

O

On Indicator Light 81076	9
O-Ring 81191	39
O-Ring Gland 81471	39
Overflow Hose 81082	27

P

Pivot Arm 81985	13
Pivot Arm Spring 81119	13
Plate and PC Board Assembly 81837P	7
Plug, 15 Circuit 23037	49
Plug, 6 Circuit 23041	49
Plug, 9 Circuit 23033	49
Pressure Hose 22822	23
Pressure Switch 81068P	23
Pulley and Hub Assembly 81728	35
Pump and Bracket Assembly 81185P	43
Pump Body Kit 81115D	43
Pump Motor Assembly 81115AP	43
Pump Mount Bracket 81181	43
Push-to-Start Sticker 53738	9

R

Receptacle Housing 90789	49
Receptacle, 12 Circuit 56855	49
Receptacle, 15 Circuit 431396	49
Receptacle, 6 Circuit 26708	49
Receptacle, 9 Circuit 26163	49
Reinforcing Ring 81050	35
Relay 81624	23
810709P	9

Resistor Assembly 81642	23
Return Button Kit 81822AP	5, 7
Reversing Timer 81615P	21
81616	21
Ring Terminal 00110	49
00111	49

S

Screw G166595	45
G166603	45
G166611	45
M400043	29
M405936	33
M413565	35
Q6516	15
Q6535	21
03814	17, 23
20253	13, 15
21081	13
21355	17
22649	11, 19, 21
23008	33, 37
23222	21
23960	13
23962	23
24233	19, 43, 45
33561	11, 43
33562	17, 29
500226	9
51778	27
51780	15, 21, 23
51782	15
51783	15
52909	17, 21
80399	11
81057	35, 37
81086	37
81087	35
81115G	43
81310	13
81398	13
81399	13
81638	9
81692	9
91202	33, 35
Seal 81482	39
81924	11, 17
Seal Strap 81298P	13
Shaft Seal and Liner Assembly 81115C	43
Shock Mounting 81055	29
Side Panel 81512LP	17
81512WP	17
Softener Indicator Light 81079	9

N/A items do not appear in index.

Solenoid	
81493P.....	15
81540.....	15
Spacer	
81366.....	11
81461.....	35
Strike	
81365P.....	11
Switch	
81679.....	9
91257.....	9
Switch Knob	
39897.....	9
Switch Plate	
81637.....	9

T

Tab Housing	
90788.....	49
Terminal Block Assembly	
50854A.....	21
Terminal Insulator	
81469.....	49
Test Harness Assembly	
81691P.....	29
Thermoactuator	
81963.....	15
81994.....	15
Thermoactuator Bracket	
81967.....	15
Thermoactuator Linkage	
81966.....	15
Timer	
81694.....	21
Timer Bracket	
81097.....	21
Timer Kit	
81693P.....	21
Timer Motor	
26290.....	21
Timer Sticker	
81619.....	21
Top and Carton Assembly	
81511LP.....	11
Top Hinge	
81058.....	11
Tub Head Gasket	
81052.....	33

V

V-Ring Seal	
81470.....	39

W

Warning Label	
82087.....	23

Washer	
G166629.....	45
M400013.....	29, 33, 35, 43
Q6066.....	29, 33, 35
02431.....	15, 19
03189.....	13, 37
03815.....	17
20103.....	29
20279.....	29
20290.....	27
23225.....	13
24475.....	35
51345.....	15, 23
51474.....	21
80090.....	13, 45
81345.....	33
81352.....	35
81380.....	33
81392.....	13
81408.....	13
91176.....	9
91200.....	37, 47
Water Inlet	
80600.....	27
Water Inlet Hose	
81080.....	27
Water Inlet To Valve Hose	
81705.....	27
Water Temperature Switch	
81799.....	9
Wire Clip	
51291.....	49
Wire Harness Assembly	
81711P.....	9
81767P.....	9
81945.....	45
