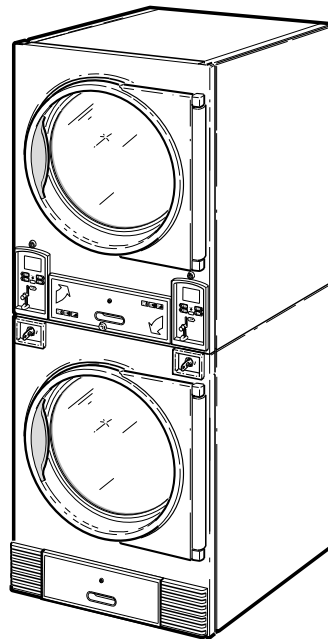


Drying Tumblers

Stacked 30 and 45 Pound Capacities

Models Starting Serial No. 0602004144

Refer to Page 5 for Model Numbers



T477C_70304801



&



www.partsking.com

Part No. 70304801R11
February 2012

Parts

Table of Contents

Title	Page
Parts Ordering Information.....	3
Serial Plate Location	3
Model Identification	5
Product Overview - Heat Source and Voltage	6
Product Overview - Control Suffixes (Drawing 1 of 3).....	8
Product Overview - Control Suffixes (Drawing 2 of 3).....	10
Product Overview - Control Suffixes (Drawing 3 of 3).....	12
Single Drop Control Components	14
Dual Digital Timer Components	16
DX4 Control Components	18
Coin Drop Components for MDC Models.....	20
Card Reader Components for MDC Models	22
Coin Drops	24
Electronic Coin Drop Components.....	26
Card Reader Components for Micro Models.....	28
Coin Drop Components for NetMaster Models	30
Card Reader Components for NetMaster Models.....	32
Network Board for NetMaster Models.....	34
Coin Drop Components for Quantum Models.....	36
Card Reader Components for Quantum Models	38
Network Board for Quantum Models.....	40
Communication Board	42
LED OPL Control	44
Door Components.....	46
Door Hinge Components	48
Front Panel Assemblies and False Fronts	50
Upper Cabinet Front Components	52
Lower Cabinet Front Components	54
Emergency Stop Button for CE Models	56
Lint Drawer Components	58
Lint Drawer Overlays	60
Cylinder Components	62
Cabinet Components	64
Drive Motor Components	66
Drive Motors and Motor Capacitors	68
Exhaust Components.....	70
Blower Components.....	72
Moisture Sensing Components.....	74
Gas Burner Housing and Secondary Stove Limit	76
Airflow Switch.....	78
Gas Valve and Piping - Non-CE and Non-Australian Gas Models.....	80

© Copyright 2012, Alliance Laundry Systems LLC

All rights reserved. No part of the contents of this book may be reproduced or transmitted in any form or by any means without the expressed written consent of the publisher.

Gas Valve and Piping - T30 CE and Australian Gas Models	82
Gas Valve and Piping - T45 CE and Australian Gas Models	84
Electric Heater Components	86
Steam Heater Components	88
Control Tray Harness - Gas Models	90
Control Tray Components - Non-CE Gas Models (Drawing 1 of 2)	92
Control Tray Components - Non-CE Gas Models (Drawing 2 of 2)	94
Control Tray Components - CE Gas Models (Drawing 1 of 2)	96
Control Tray Components - CE Gas Models (Drawing 2 of 2)	98
Control Tray Harnesses - Steam Models	100
Control Tray Components - Non-CE Steam Models	102
Control Tray Components - CE Steam Models	104
Accessory Box Harnesses - Electric Models	106
Accessory Box Components - Non-CE Electric Models	108
Accessory Box Components - CE Electric Models	110
Parts Index	113

Parts Ordering Information

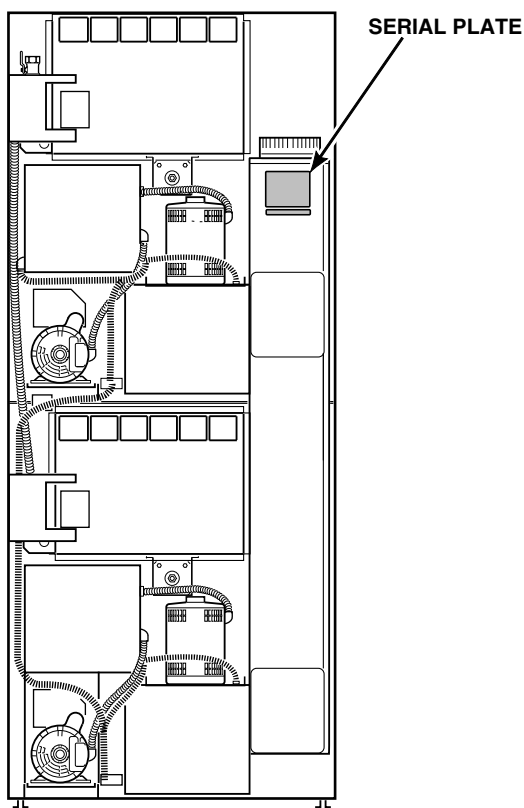
If literature or replacement parts are required, contact the source from whom the machine was purchased or contact Alliance Laundry Systems at (920) 748-3950 for the name and address of the nearest authorized parts distributor.

For technical assistance, call either of the numbers listed below:

(920) 748-3121 Ripon, Wisconsin
+32 56 41 20 54 Wevelgem, Belgium

Serial Plate Location

When calling or writing about your product, be sure to mention model and serial numbers. Model and serial numbers are located on serial plate(s) as shown.



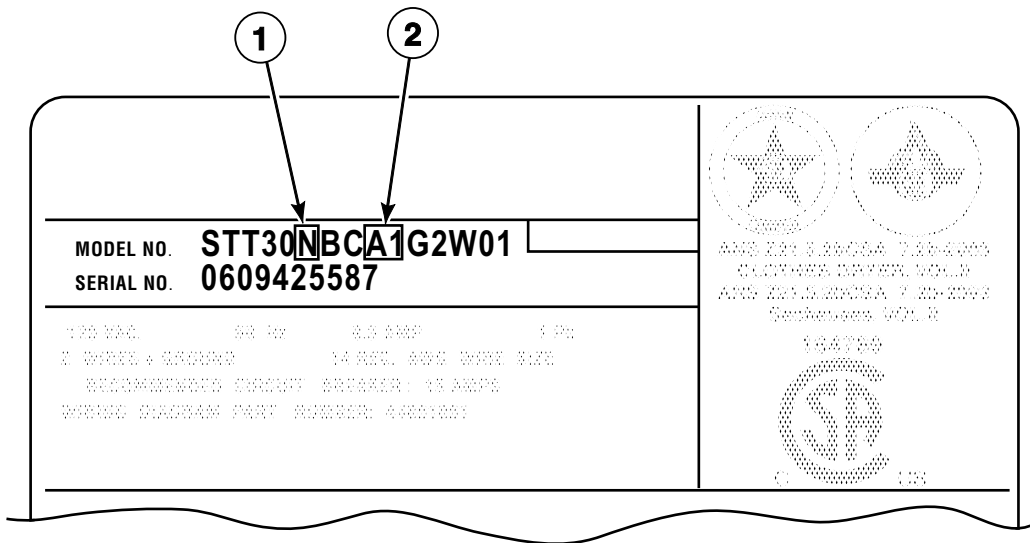
TMB1974N_70304801

Model Identification

Information in this manual is applicable to these tumbler models:

CHD30STE2-CTT30E	GAT30L	KAT30L	PUT30E
CHD30STE2-CUT30E	GAT30N	KAT30N	PUT30L
CHD30STG2-CAT30L	GAT45L	KAT45L	PUT30N
CHD30STG2-CAT30N	GAT45N	KAT45N	PUT30S
CHD30STG2-CTT30L	GTT30E	KTT30E	SAT30L
CHD30STG2-CTT30N	GTT30L	KTT30L	SAT30N
CHD30STG2-CUT30L	GTT30N	KTT30N	SAT45L
CHD30STG2-CUT30N	GTT30S	KTT30S	SAT45N
CHD30STS2-CTT30S	GTT45L	KTT45L	STT30D
CHD30STS2-CUT30S	GTT45N	KTT45N	STT30E
CTT45L	GUT30E	KUT30E	STT30L
CTT45N	GUT30L	KUT30L	STT30N
DR335	GUT30N	KUT30N	STT30S
DR445G2-BAT45L	GUT30S	KUT30S	STT45D
DR445G2-BAT45N	GUT45L	KUT45L	STT45L
DR445G2-BTT45D	GUT45N	KUT45N	STT45N
DR445G2-BTT45L	HAT30L	LAT30L	SUT30E
DR445G2-BTT45N	HAT30N	LAT30N	SUT30L
DR445G2-BUT45L	HAT45L	LTT30E	SUT30N
DR445G2-BUT45N	HAT45N	LTT30L	SUT30S
DRST30E2-BTT30E	HTT30D	LTT30N	SUT45L
DRST30E2-BUT30E	HTT30E	LTT30S	SUT45N
DRST30G2-BAT30L	HTT30L	LUT30E	UAT30L
DRST30G2-BAT30N	HTT30N	LUT30L	UAT30N
DRST30G2-BTT30D	HTT30S	LUT30N	UAT45L
DRST30G2-BTT30L	HTT45D	LUT30S	UAT45N
DRST30G2-BTT30N	HTT45L	MTT30N	UTT30E
DRST30G2-BUT30L	HTT45N	MTT45N	UTT30L
DRST30G2-BUT30N	HUT30E	NTT30N	UTT30N
DRST30S2-BTT30S	HUT30L	NTT45N	UTT30S
DRST30S2-BUT30S	HUT30N	PAT30L	UTT45L
DRST45G2-BAT45L	HUT30S	PAT30N	UTT45N
DRST45G2-BAT45N	HUT45L	PTT30E	UUT30E
DRST45G2-BTT45D	HUT45N	PTT30L	UUT30L
DRST45G2-BTT45L	IPD30STE2-ITT30E	PTT30N	UUT30N
DRST45G2-BTT45N	IPD30STG2-ITT30L	PTT30S	UUT30S
DRST45G2-BUT45L	IPD30STG2-ITT30N		UUT45L
DRST45G2-BUT45N	IPD30STS2-ITT30S		UUT45N
	IPD45STG2-ITT45L		
	IPD45STG2-ITT45N		

Product Overview - Heat Source and Voltage

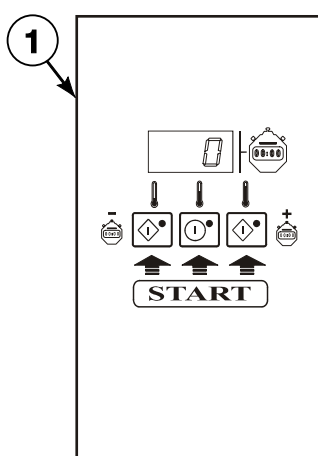
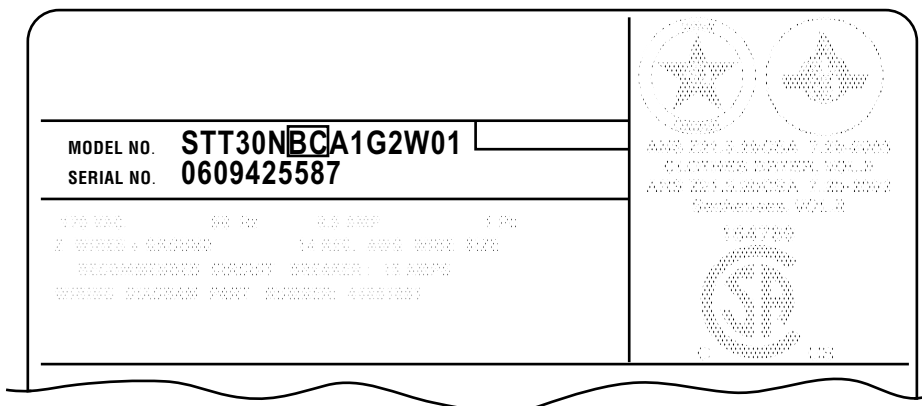


TMB2736P_70304801

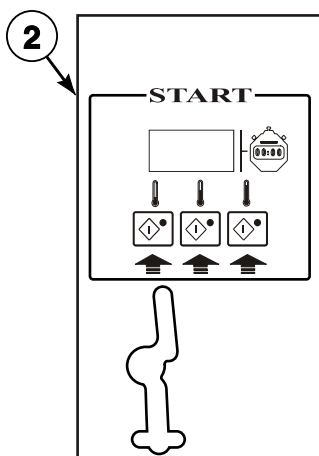
Product Overview - Heat Source and Voltage

REF	PART NO.	DESCRIPTION	COMMENTS
1	-	Heat Source	D: Liquid Petroleum Gas (L.P) E: Electric L: Liquid Petroleum Gas (L.P.) N: Natural Gas (N.G.) S: Steam
2	-	Voltage	A1: 100, 200 Volt/50 Hertz/1 Phase A2: 100, 200-220 Volt/60Hertz/1 Phase B2: 120, 208-240 Volt/60 Hertz/1 Phase F1: 200 Volt/50 Hertz/1 Phase F2: 200 Volt/60 Hertz/1 Phase F4: 200 Volt/50 Hertz/3 Phase F5: 200-208 Volt/60 Hertz/3 Phase F6: 200-208, 240 Volt/60 Hertz/3 Phase G1: 208 Volt/60 Hertz/1 Phase G2: 208-240 Volt/60 Hertz/1 Phase J1: 230 Volt/50 Hertz/1 Phase J2: 230-240 Volt/50 Hertz/1 Phase J4: 240 Volt/60 Hertz/1 Phase J5: 230 Volt/50 Hertz/3 Phase J6: 230-240 Volt/50 Hertz/3 Phase J8: 240 Volt/60 Hertz/3 Phase M1: 380 Volt/50 Hertz/3 Phase M2: 380, 400-415 Volt/50 Hertz/3 Phase M3: 380 Volt/60 Hertz/3 Phase N1: 400-415 Volt/50 Hertz/3 Phase Q1: 460-480 Volt/60 Hertz/3 Phase

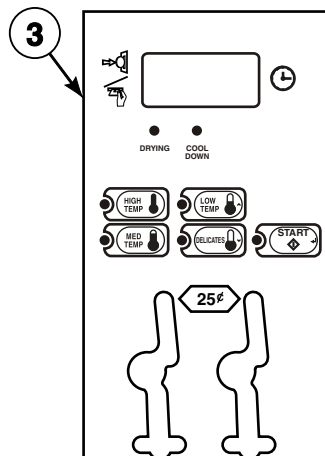
Product Overview - Control Suffixes (Drawing 1 of 3)



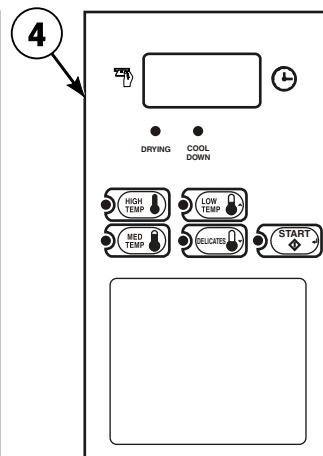
30
Control Suffixes



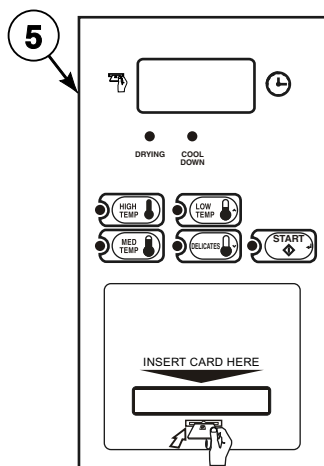
3V and 3X
Control Suffixes



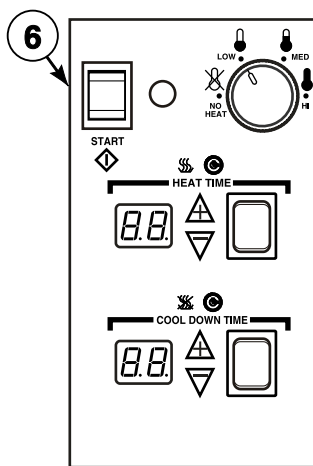
BC and BX
Control Suffixes



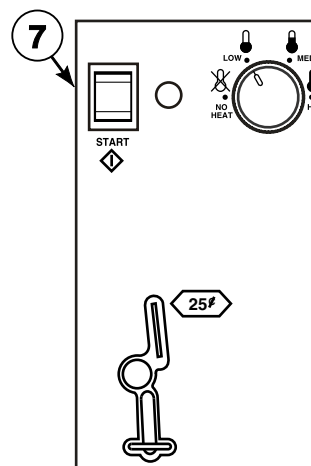
BG and BL
Control Suffixes



BY
Control Suffix



QT
Control Suffix



SD and SX
Control Suffixes

TMB2777P_70304801

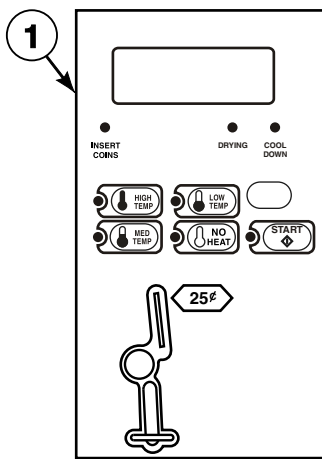
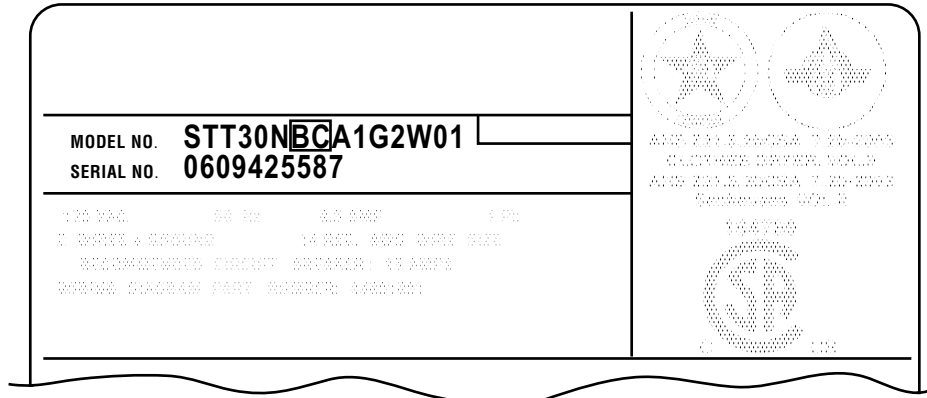
Product Overview - Control Suffixes (Drawing 1 of 3)

REF	PART NO.	DESCRIPTION	COMMENTS
1	-	Control - Nonreversing	30: DX4 OPL
2	-	Control - Nonreversing	3V: DX4 vended 3X: DX4 prep for coin
3	-	Control - Nonreversing	BC: basic electronic, coin BX: basic electronic, prep for coin
4	-	Control - Nonreversing	BG: basic electronic, OPL mode BL: basic electronic, central pay
5	-	Control - Nonreversing	BY: basic electronic, prep for card
6	-	Control - Nonreversing	QT: dual digital timer
7	-	Control - Nonreversing	SD: single drop SX: single drop, prep for coin

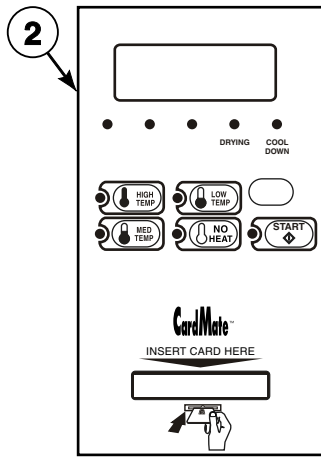
NOTE: Coin models have the following control suffixes: 3V, 3X, BC, BX, SD and SX

NOTE: OPL models have the following control suffixes: 30, BG, BL, BY and QT

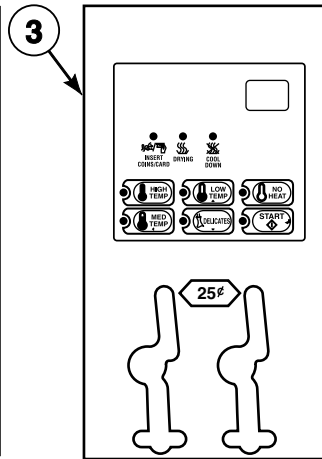
Product Overview - Control Suffixes (Drawing 2 of 3)



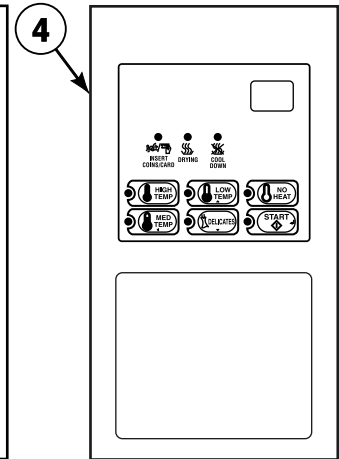
NC, NX, ZC and ZX
Control Suffixes



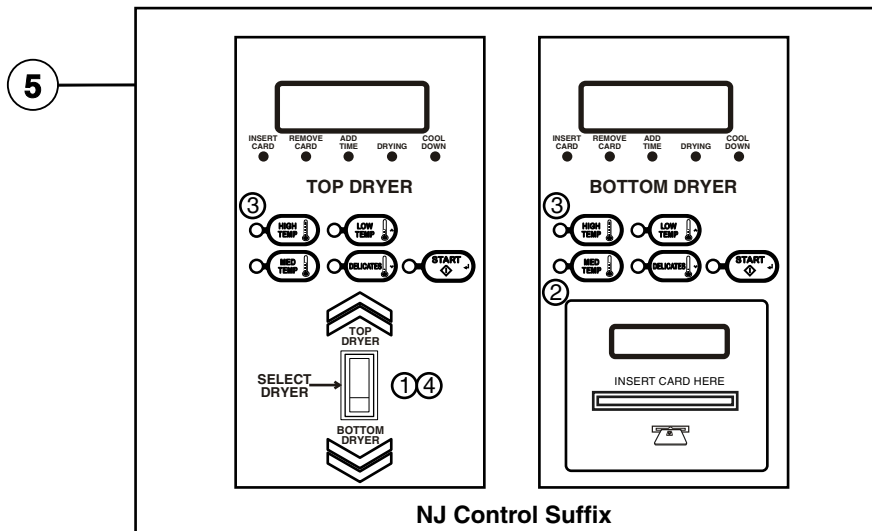
NR, NY, ZR and ZY
Control Suffixes



LC, LX, WC and WX
Control Suffixes



LY and WY
Control Suffixes



NJ Control Suffix

TMB2932P_70304801

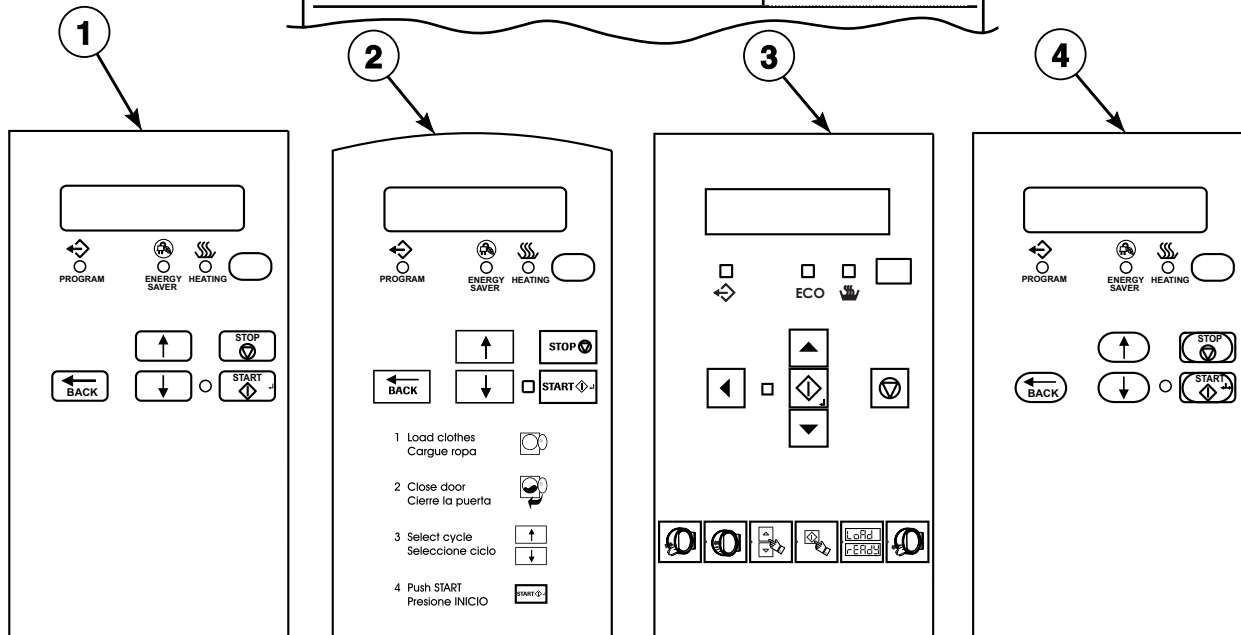
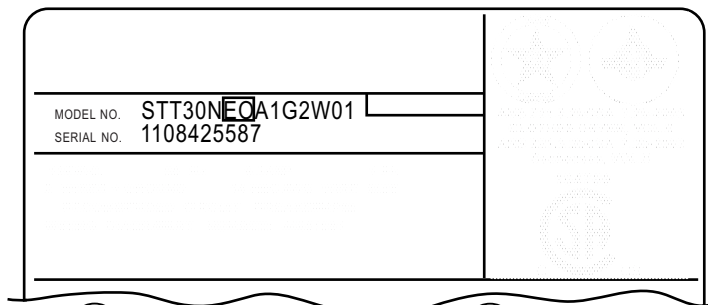
Product Overview - Control Suffixes (Drawing 2 of 3)

REF	PART NO.	DESCRIPTION	COMMENTS
1	-	Control - Nonreversing	NC: NetMaster coin NX: NetMaster, prep for coin ZC: NetMaster network coin ZX: NetMaster network, prep for coin
2	-	Control - Nonreversing	NR: NetMaster card NY: NetMaster, prep for card ZR: NetMaster network card ZY: NetMaster network, prep for card
3	-	Control - Nonreversing	LC: network adaptable coin LX: network adaptable, prep for coin WC: network ready coin WX: network ready, prep for coin
4	-	Control - Nonreversing	LY: network adaptable, prep for card WY: network ready, prep for card
5	-	Control - Nonreversing	NJ: micro, prep single card reader

NOTE: Coin models have the following control suffixes: LC, LX, LY, NC, NX, WC, WX, WY, ZC and ZX

NOTE: OPL models have the following control suffixes: NJ, NR, NY, ZR and ZY

Product Overview - Control Suffixes (Drawing 3 of 3)

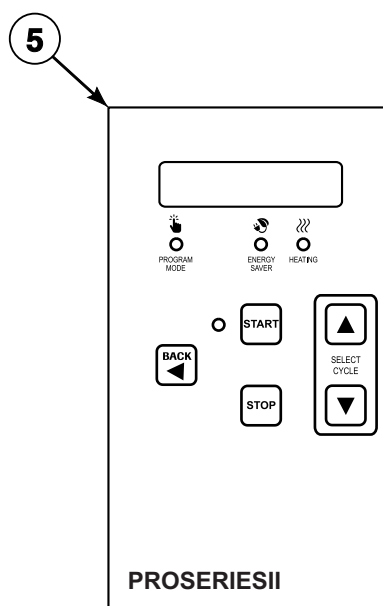


EO Control Suffix

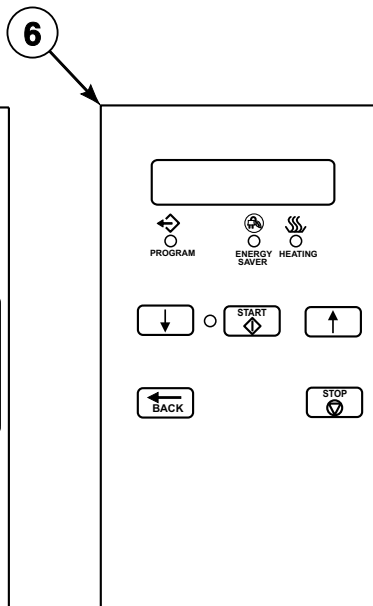
EO Control Suffix

EO Control Suffix

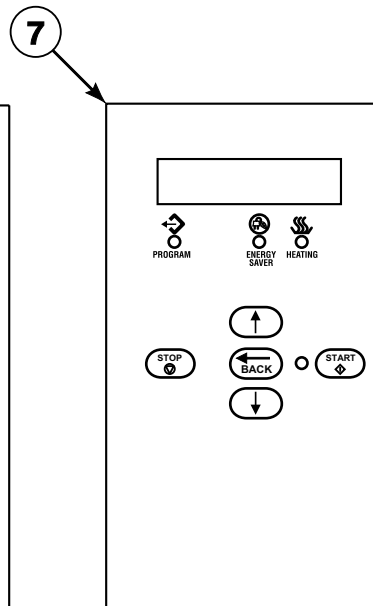
EO Control Suffix



EO Control Suffix



EO Control Suffix



EO Control Suffix

TMB3150P_70304801

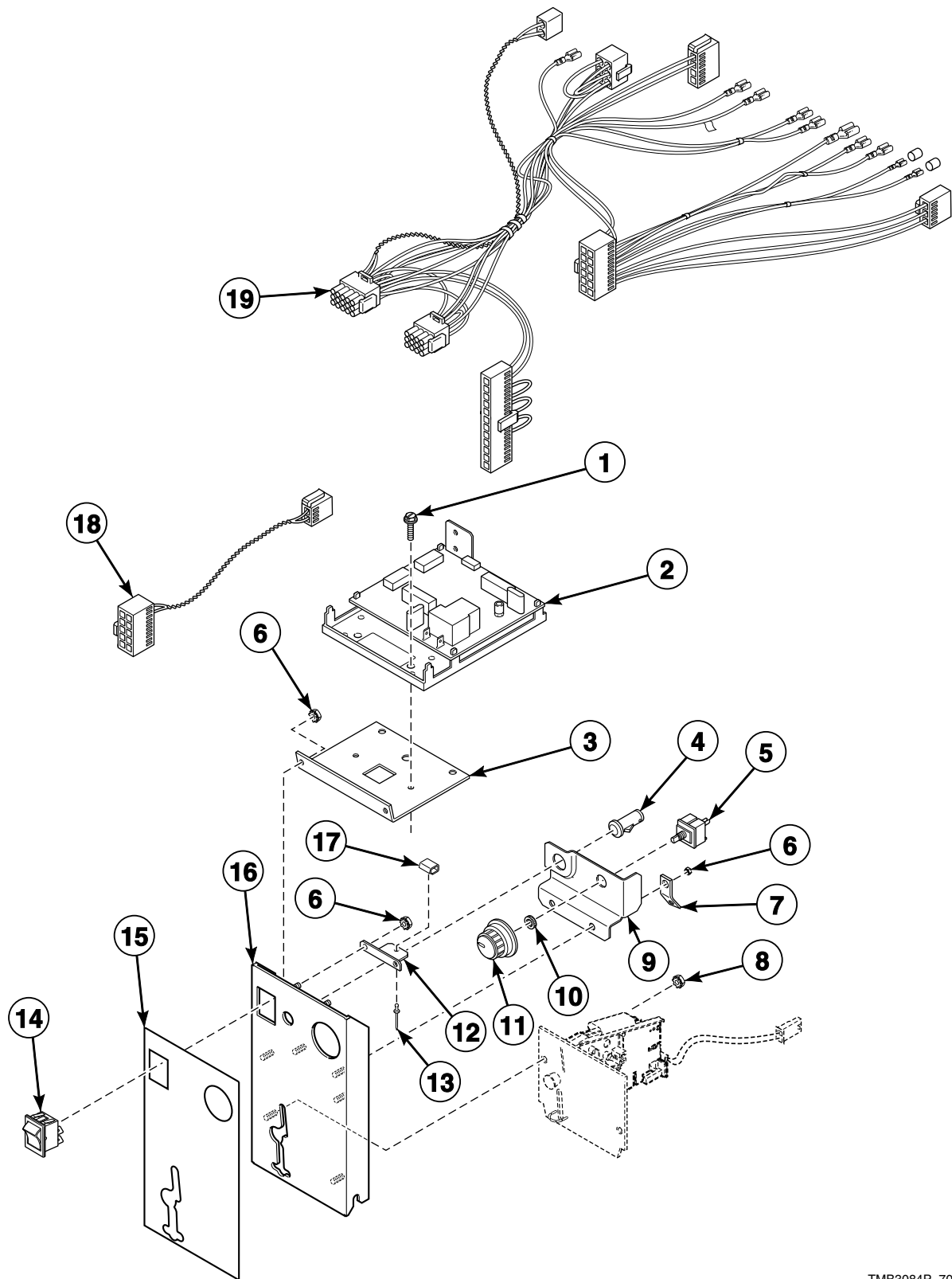
Product Overview - Control Suffixes (Drawing 3 of 3)

REF	PART NO.	DESCRIPTION	COMMENTS
1	-	Control - Nonreversing	S models; EO: LED OPL
2	-	Control - Nonreversing	H models; EO: LED OPL
3	-	Control - Nonreversing	C, D and I models; EO: LED OPL
4	-	Control - Nonreversing	U models; EO: LED OPL
5	-	Control - Nonreversing	G and K models; EO: LED OPL
6	-	Control - Nonreversing	P models; EO: LED OPL
7	-	Control - Nonreversing	L models; EO: LED OPL

NOTE: OPL models have the following control suffixes: EO

Single Drop Control Components

T30 C, H, I and S Models with SD and SX Control Suffixes



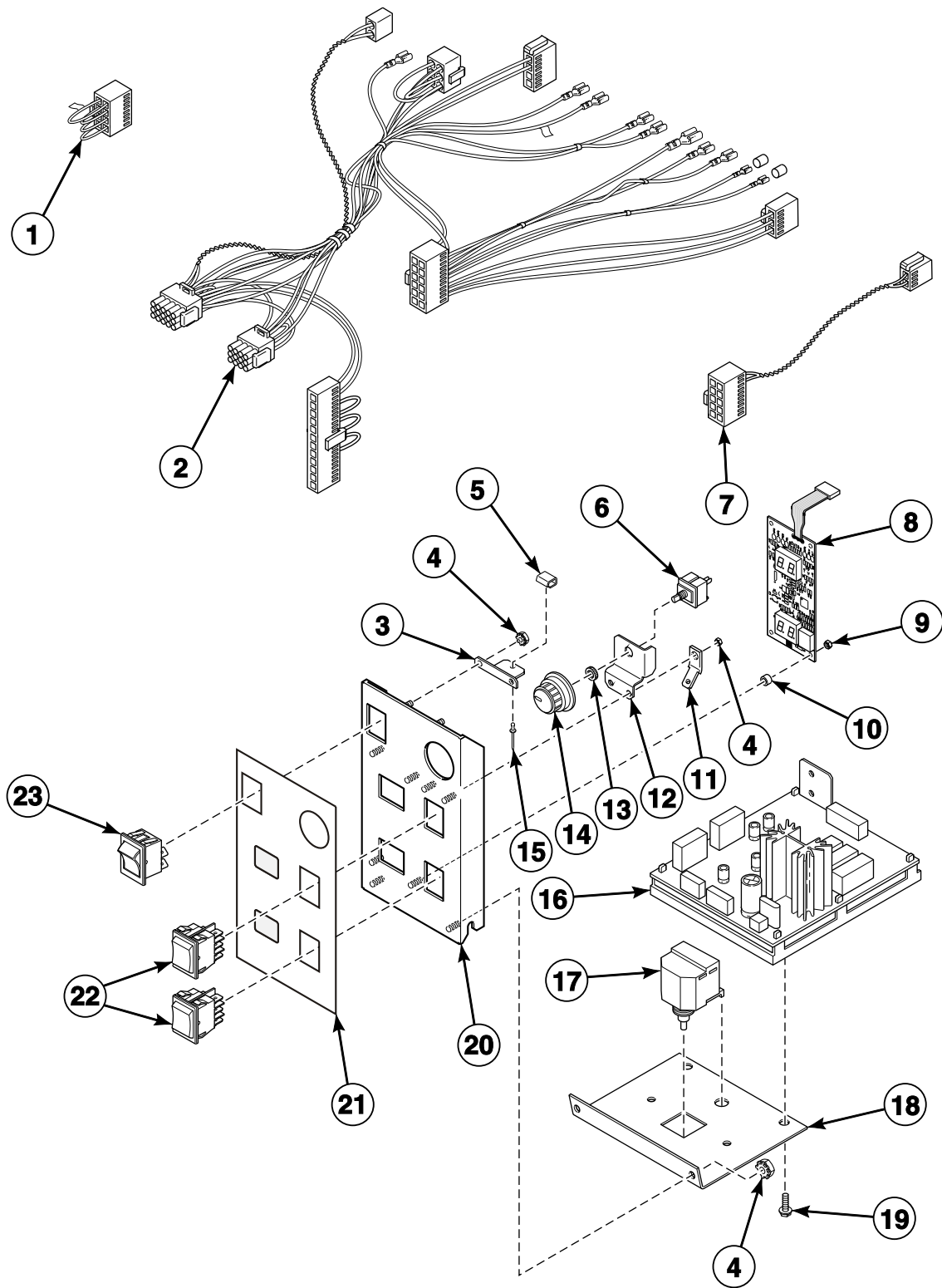
TMB3084P_70304801

Single Drop Control Components

REF	PART NO.	DESCRIPTION	COMMENTS
	70346001P	Main Harness	Electric models need 55881 Harness Strap; Models through 7/31/11
	70441401	Main Harness	Electric models need 55881 Harness Strap; Models starting 8/1/11
1	501524	Screw	
2	513139P	Control Assembly	
3	70357902	Control Chassis Mounting Bracket	
4	801431	Light	
5	511711	Temperature Selector Switch	
6	70054	Nut	
7	00177	Male Tab Terminal	
8	29786	Nut	
9	70350201	Temperature Selector Bracket	
10	24205	Nut	
11	44104601	Temperature Knob	
12	70119801	Latch Mounting Bracket	
13	M400003	Pop Rivet	
14	70455101	Rocker Switch	Start
15	70362001	Overlay	H models
	70361901	Overlay	All other models
16	70365801	Control Door Assembly	H models; Includes studs
	70365101	Control Door Assembly	All other models
17	431318	Control Door Latch	
18	70324603	Jumper Calibration Wire	SD control suffix
19	70369001	Control Panel Harness	C, H, I and S non-CE and non-Australian models with SD control suffix
	70367101	Control Panel Harness	C, H and S Australian and CE models with SD control suffix

Dual Digital Timer Components

C, H, I, S and U Models with QT Control Suffix



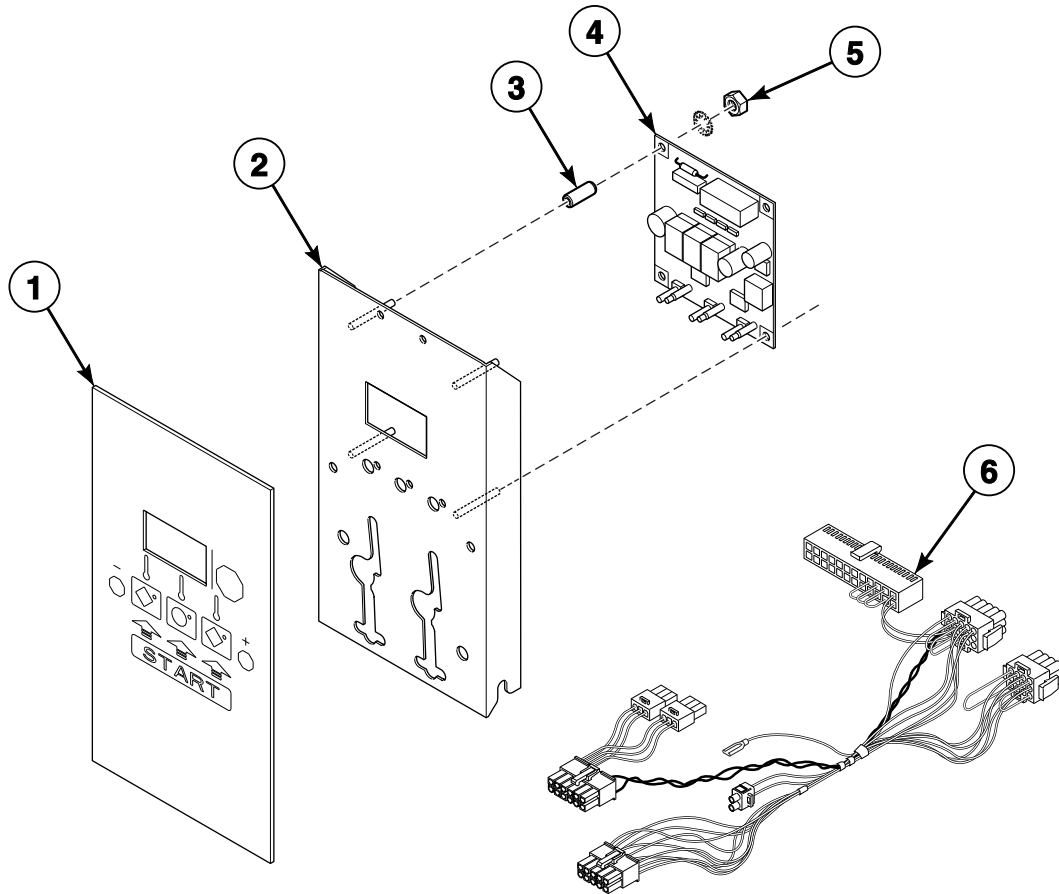
TMB2397P_70304801

Dual Digital Timer Components

REF	PART NO.	DESCRIPTION	COMMENTS
	70346001P	Main Harness	Electric models need 55881 Harness Strap; Models through 7/31/11
	70441401	Main Harness	Electric models need 55881 Harness Strap; Models starting 8/1/11
1	70364103	Bypass Harness	
2	70367001P	Control Panel Harness	
3	70119801	Latch Mounting Bracket	
4	70054	Nut	
5	431318	Control Door Latch	
6	511711	Temperature Selector Switch	
7	70324603	Jumper Calibration Wire	
8	512218P	Display Assembly	
9	29787	Nut	4 required
10	56079	Panel Locator	4 required
11	00177	Male Tab Terminal	
12	70391701	Temperature Selector Switch Bracket	
13	24205	Nut	
14	44104601	Temperature Knob	
15	M400003	Pop Rivet	
16	512202P	Control Assembly	
17	M4860P3	Buzzer Kit	Includes harness
18	70357901	Control Chassis Mounting Bracket	
19	501524	Screw	
20	70365601	Control Plate Assembly	H models; Includes studs
	70361201	Control Door Assembly	All other models; Includes studs
21	70361401	Overlay	H models
	70361301	Overlay	All other models
22	70461301	Rocker Switch	Black button
23	70455101	Rocker Switch	Green button; Start

DX4 Control Components

C, D and I Models with 3O, 3V and 3X Control Suffixes



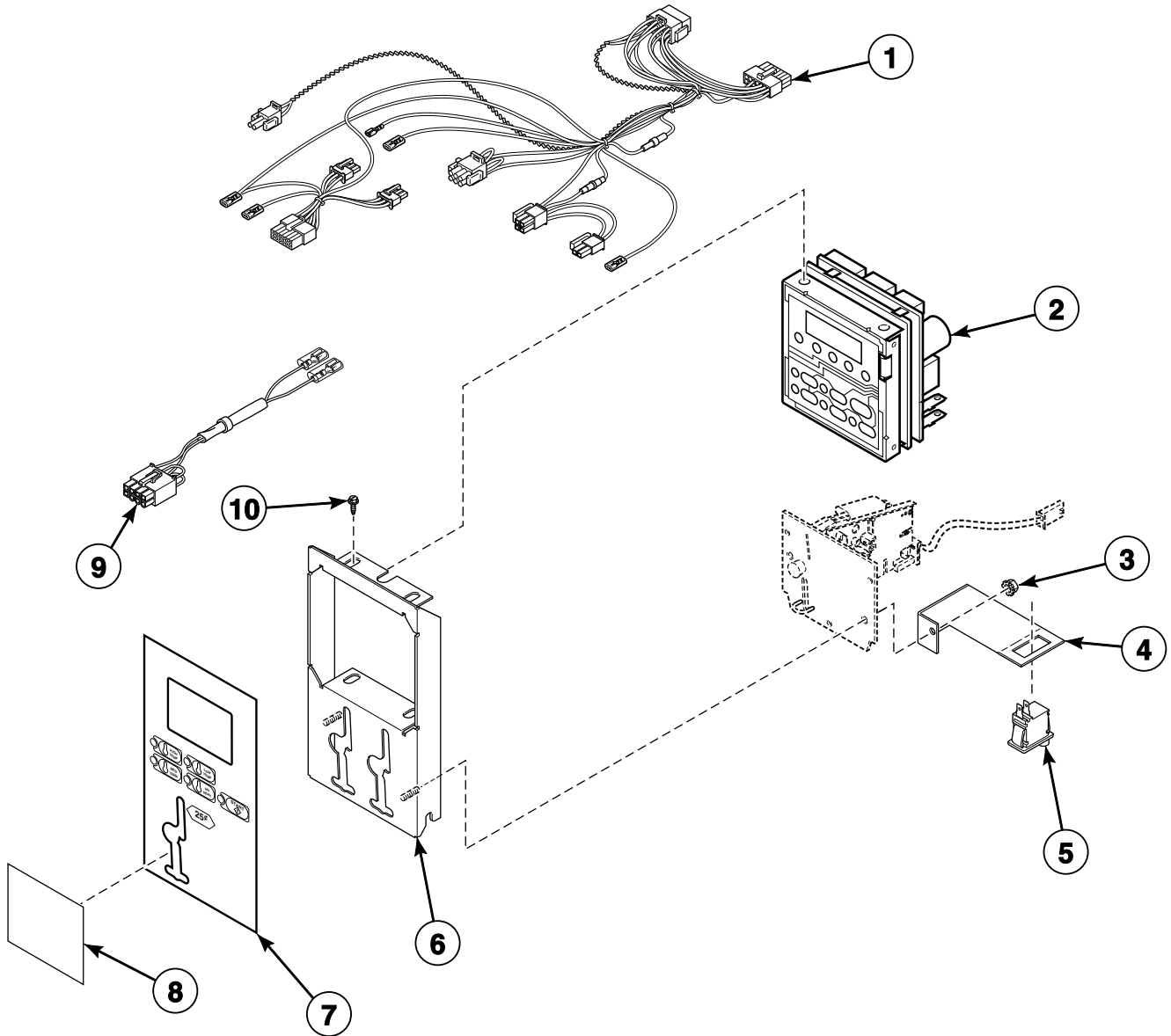
TMB3157P_70304801

DX4 Control Components

REF	PART NO.	DESCRIPTION	COMMENTS
	70441401	Main Harness	Models starting 8/1/11
1	70279101	Graphic Overlay	OPL; Models through 7/31/11
	70468201	Graphic Overlay	OPL; Models starting 8/1/11
	70279201	Graphic Overlay	Coin; Single drop; Models through 7/31/11
	70462601	Graphic Overlay	Coin; Single drop; Models starting 8/1/11
	70279202	Graphic Overlay	Coin; Dual drop; Models through 7/31/11
	70462602	Graphic Overlay	Coin; Dual drop; Models starting 8/1/11
2	70279301P	Control Plate Kit	
3	44050601	Sleeve	4 required
4	70462303P	Control Assembly	Non-CE and non-Australian models; 3O control suffix
	70462304P	Control Assembly	CE and Australian models; 3O control suffix
	70462363P	Control Assembly	Non-CE and non-Australian models; 3V and 3X control suffixes
	70462364P	Control Assembly	CE and Australian models; 3V and 3X control suffixes
5	29787	Nut	
6	70315601P	Control Panel Harness	Non-CE and non-Australian models
	70315701	Control Panel Harness Assembly	C and D CE and Australian models

Coin Drop Components for MDC Models

G T30, H, K, L, P and S Models with BC and BX Control Suffixes



TMB2780P_70304801

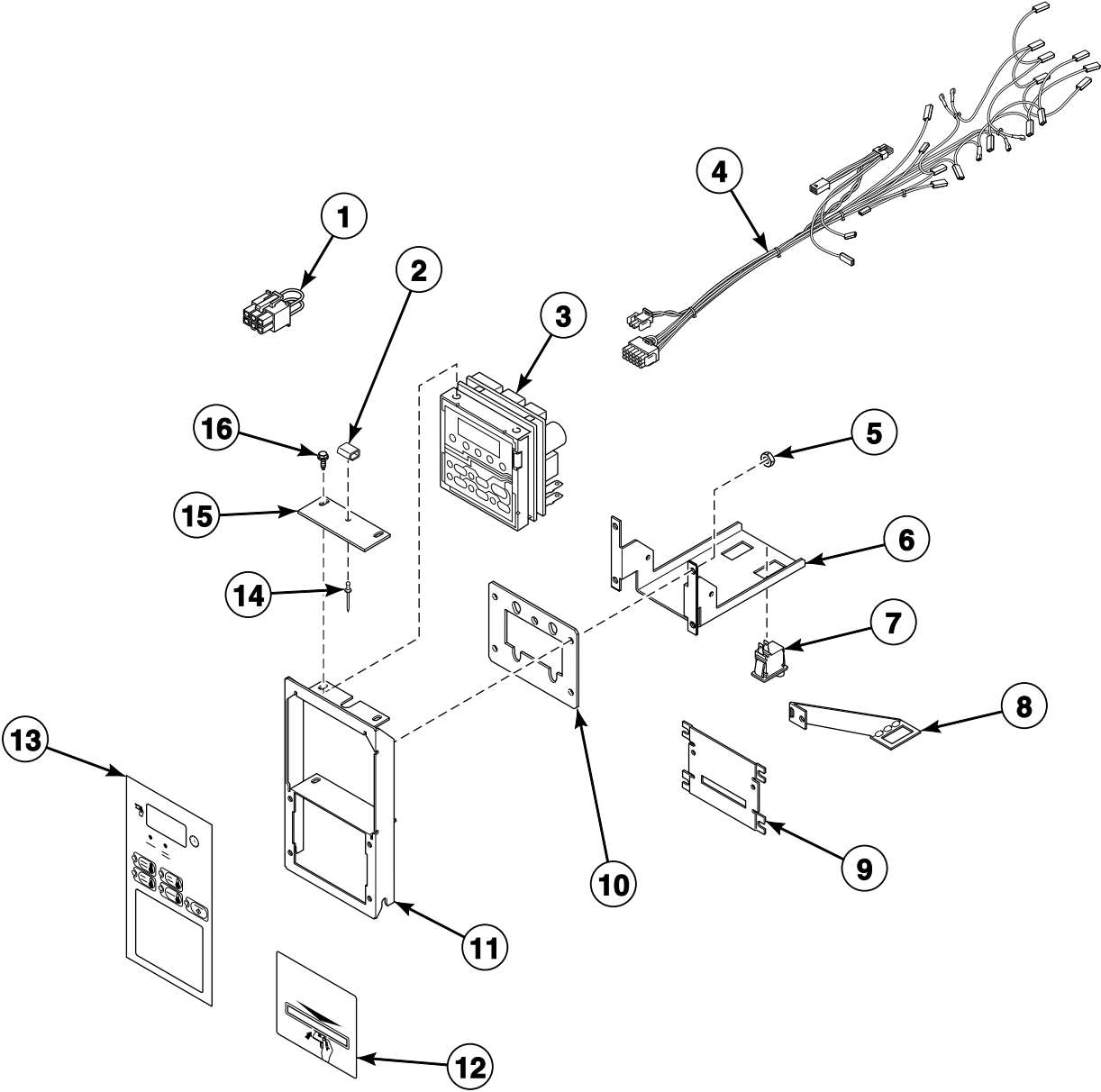
Coin Drop Components for MDC Models

REF	PART NO.	DESCRIPTION	COMMENTS
	70346001P	Main Harness	Electric models need 55881 Harness Strap; Models through 7/31/11
	70441401	Main Harness	Electric models need 55881 Harness Strap; Models starting 8/1/11
1	70315501P	Control Panel Harness	Control panel to main harness
2	511867P	Control Assembly	
3	29786	Nut	3 required
4	70183901	Audit Switch Bracket	
5	70107001	Pushbutton Switch	
6	70291101P	Control Plate Kit	S models
	70291201P	Control Plate Kit	H models
7	70257801	Overlay	L and S models; Single drop; Text
	70257802	Overlay	S models; Dual drop; Text
	70261101	Overlay	L and S models; Single drop; Icon
	70261102	Overlay	S models; Dual drop; Icon
	70258101	Overlay	H models; Single drop; Text
	N/A	Overlay	H models; Dual drop; Text
	70261301	Overlay	H models; Single drop; Icon
	N/A	Overlay	H models; Dual drop; Icon
	70452601	Overlay	G and K models; Upper; Single drop; Text
	70452602	Overlay	G and K models; Upper; Dual drop; Text
	70452701	Overlay	G and K models; Lower; Single drop; Text
	70452702	Overlay	G and K models; Lower; Dual drop; Text
8	70321001	Overlay	P models
	70129501	Overlay	P models; Upper; Single drop
	70129601	Overlay	P models; Upper; Dual drop
	70129701	Overlay	P models; Lower; Single drop
	70129801	Overlay	P models; Lower; Dual drop
9	70364104P	Coin Vault Switch Harness	
10	501524	Screw	4 required for mounting control

N/A = Part no longer available

Card Reader Components for MDC Models

G, H, K, L, M, N, P and S Models with BG, BL and BY Control Suffixes

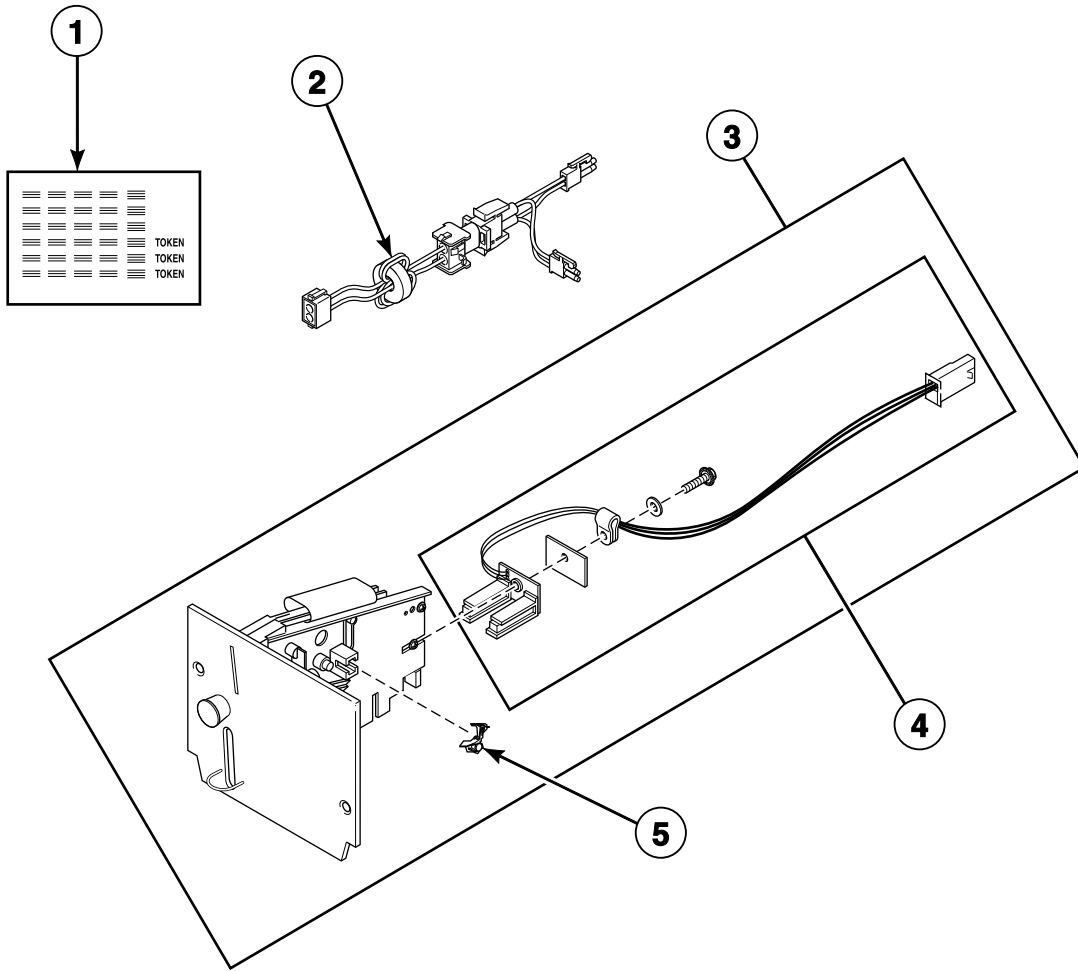


TMB2781P_70304801

Card Reader Components for MDC Models

REF	PART NO.	DESCRIPTION	COMMENTS
	70346001P	Main Harness	Electric models need 55881 Harness Strap; Models through 7/31/11
	70441401	Main Harness	Electric models need 55881 Harness Strap; Models starting 8/1/11
1	70364103	Bypass Harness	
2	431318	Control Door Latch	
3	511867P	Control Assembly	
4	70368001P	Control Panel Harness	GT, HT, KT, LT, MT, NT, PT and ST models
	70315501P	Control Panel Harness	GA, GU, HA, HU, KA, KU, LA, LU, PA, PU, SA and SU models
5	70054	Nut	
6	70119001	Chassis Mounting Bracket	Use with item 1
7	70107001	Pushbutton Switch	
8	70183901	Audit Switch Bracket	Use with item 7
9	44089501	Slot Card Plate Assembly	
10	70208801	Mounting Plate	
11	70348901	Control Plate Assembly	G, K, L, M, P and S models
	70349001	Control Plate Assembly	H and N models
12	70334201	Card Reader Overlay	S models; Black; Included in literature packet
	70334301	Card Reader Overlay	H models; Gray; Included in literature packet
	70286701	Overlay	P models with BL control suffix; Upper
	70275401	Overlay	H models with BL control suffix
	70286801	Overlay	P models with BL control suffix; Lower
13	70335801	Overlay	L, P and S models; Text and icon
	70336001	Overlay	H models; Text and icon
	70351501	Overlay	M models
	70304201	Overlay	N models; Text and icon
	70452801	Overlay	G and K models; Upper; BG and BL control suffixes
	70452901	Overlay	G and K models; Lower; BG and BL control suffixes
14	M400003	Pop Rivet	
15	70184501	Latch Mounting Bracket	
16	501524	Screw	4 required

Coin Drops



TMB2921P_70304801

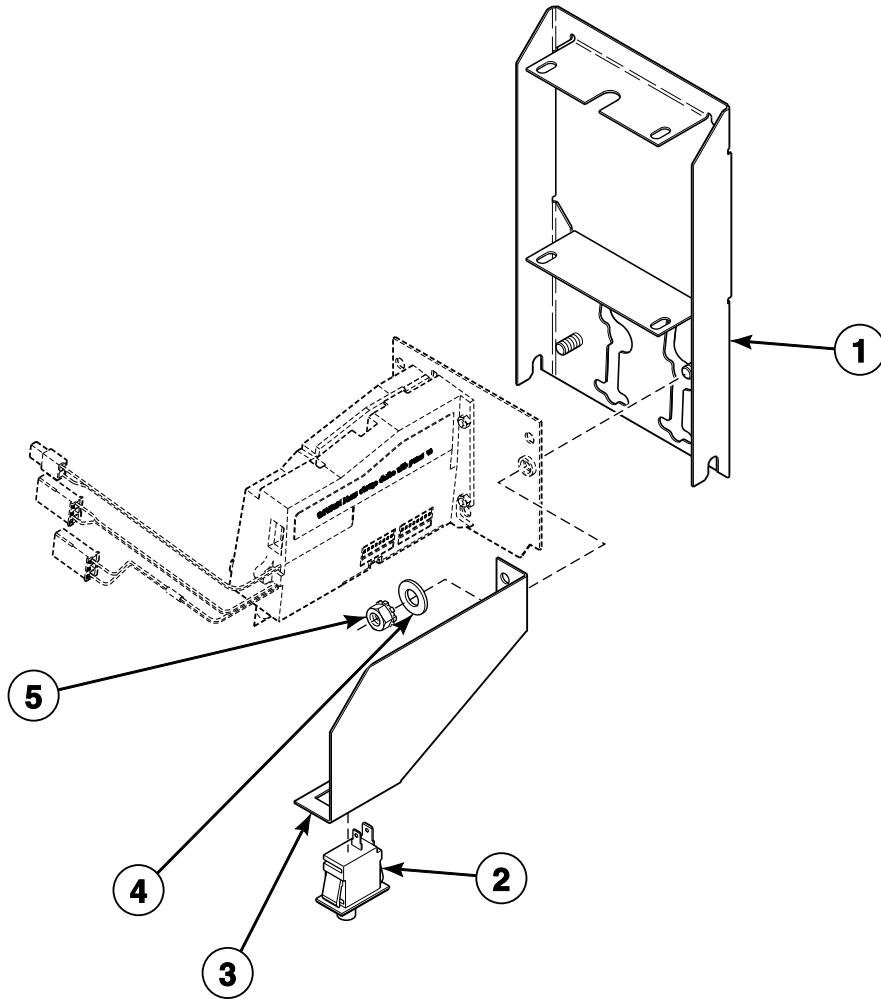
Coin Drops

REF	PART NO.	DESCRIPTION	COMMENTS
1	38725	Coin Identification Paper	
2	44065801	Electronic Coin Drop Harness	
3	CK115	Electronic Coin Drop Kit	United States and Canada
	CK113	Electronic Coin Drop Kit	Japan and Taiwan
	70294103P	Electronic Coin Drop Assembly	United Kingdom (default) and Europe
	70294104	Electronic Coin Drop Assembly	Europe (default), Denmark and Norway
	70294105P	Electronic Coin Drop Assembly	Australia (default), New Zealand, Hong Kong, South Korea and Malaysia
	70294106	Electronic Coin Drop Assembly	Mexico (default), Ecuador and United States
	70294107	Electronic Coin Drop Assembly	Lithuania (default), Latvia and Europe
	70294109	Electronic Coin Drop Assembly	Malaysia (default), China, Russia and Singapore
	70294111	Electronic Coin Drop Assembly	Euro; .10 - 2.00
	70441601P	Coin Drop	USA; \$.25
	70256402P	Coin Drop	USA; Dual; \$.25 and \$1.00
	70429001	Coin Drop	D models; USA
	38475	Coin Drop Assembly	Japan; 100 yen
	38519	Coin Drop Assembly	Japan; 100 and 500 yen
	38467	Coin Drop Assembly	Australia; .20 and 1.00
	70447301	Coin Drop Assembly	Australia; 1.00 and 2.00
	39748	Coin Drop	HU, PU and SU models; Token; Jeton
	210195	Coin Drop Assembly	Euro; .20 and 1.00
	210196	Coin Drop Assembly	Euro; .50 and 1.00
	38462P	Coin Drop Assembly	Token; STD-118-1
	38463	Coin Drop Assembly	Token; STD-118-5
	70471601	Coin Drop Assembly	Token; 7K
	38464P	Coin Drop Assembly	Canada; .25
	70441602	Coin Drop Assembly	Canada; .25 and 1.00
	38472	Coin Drop Assembly	England; 20 pence and 1 pound
	N/A	Coin Drop Assembly	Denmark; 1 and 5 DKK; May replace with 70294104 Electronic Coin Drop Assembly
	38521	Coin Drop Assembly	Korea; 100 and 500 won
N/A	Coin Drop Assembly	New Zealand; .20 and 1.00	
38963P	Coin Drop	Token; STD-118-16	
N/A	Coin Drop Assembly	Taiwan; Dual; 5 and 10 NT; May replace with 70294101 Electronic Coin Drop Assembly	
39157	Coin Drop Assembly	Israel; Shekel	
CK077	Coin Drop Kit	Taiwan; 10 NT	
4	200674P	Opto Coupler	
5	201595P	Wire Guard	

N/A = Part no longer available

Electronic Coin Drop Components

C, D, G, H, I, K, L, P and S Models with 3V, BC, LC, NC, WC and ZC Control Suffixes



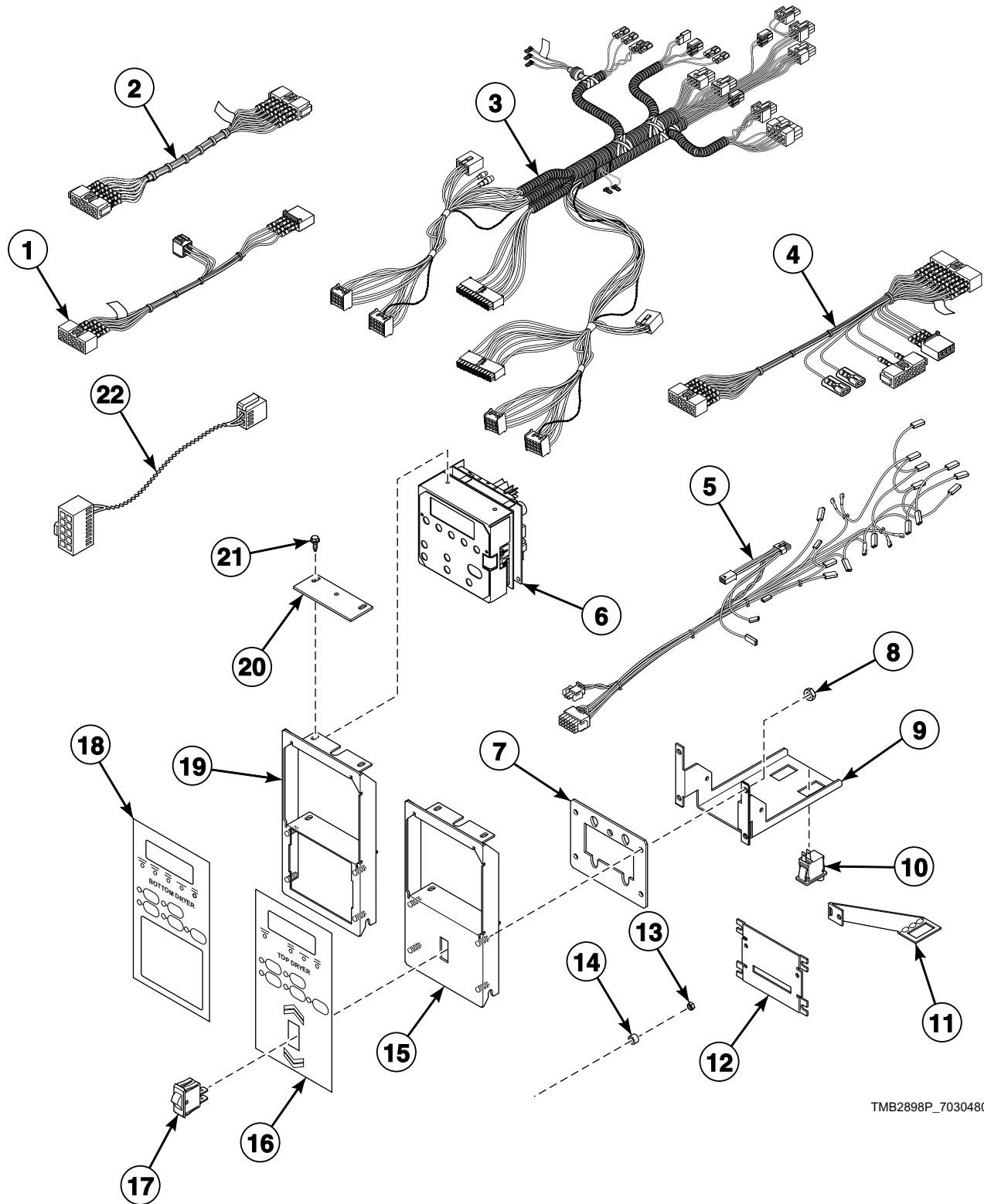
TMB1984K_70304801

Electronic Coin Drop Components

REF	PART NO.	DESCRIPTION	COMMENTS
1	70291101P	Control Plate Kit	C, D, G, I, K, L, P and S models
	70291201P	Control Plate Kit	H models
2	70107001	Pushbutton Switch	Audit switch
3	70292601	Audit Switch Bracket	
4	70292801	Washer	2 required
5	29786	Nut	2 required

Card Reader Components for Micro Models

K Models Through Serial No. 1101018349 with NJ Control Suffix



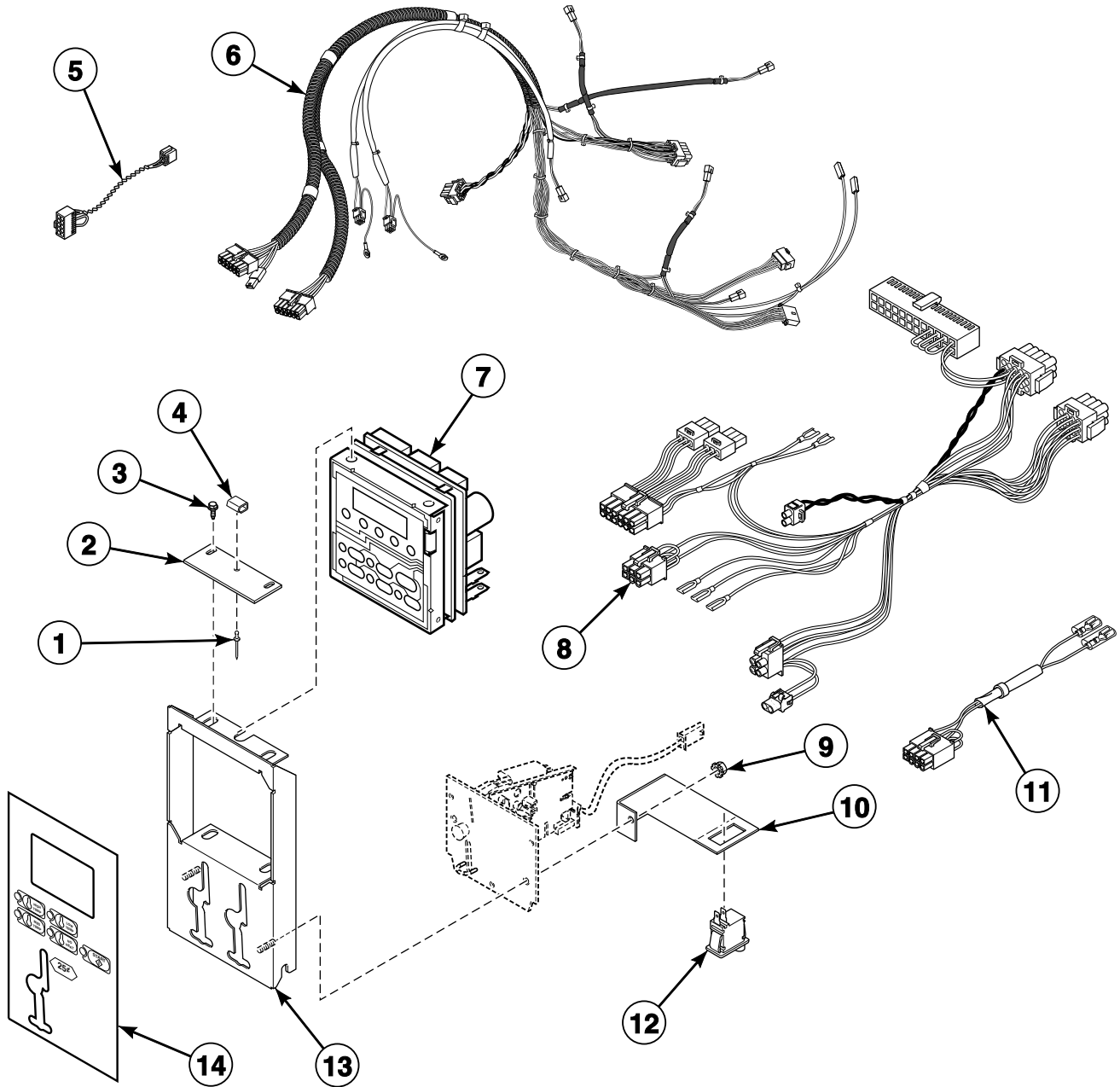
TMB2898P_70304801

Card Reader Components for Micro Models

REF	PART NO.	DESCRIPTION	COMMENTS
	430497	Screw	
	36274	Wire Clip	
	70307003	Control Housing Cover	
1	70420101P	Lower Card Reader Harness	
2	70419901P	Main Harness	Single card reader; Electric models need 55881 Harness Strap
3	70346001P	Main Harness	Electric models need 55881 Harness Strap
4	70420001P	Upper Card Reader Harness	
5	70368001P	Control Panel Harness	KT models
	70315501P	Control Panel Harness	KA and KU models
6	505905P	Control Kit	
7	70208801	Mounting Plate	
8	70054	Nut	
9	70119001	Chassis Mounting Bracket	
10	70107001	Pushbutton Switch	
11	70183901	Audit Switch Bracket	Use with item 10
12	44089501	Slot Card Plate Assembly	
13	29787	Nut	
14	56079	Panel Locator	
15	70420201	Control Mounting Bracket Assembly	
16	70418001	Overlay	Upper
17	44099601	Rocker Switch	
18	70417901	Overlay	Bottom
19	70348901	Control Plate Assembly	
20	70184501	Latch Mounting Bracket	
21	501524	Screw	4 required
22	70324603	Jumper Calibration Wire	

Coin Drop Components for NetMaster Models

KT Models Through Serial No. 1101018349 and ST Models Through Serial No. 0904004427
NC, NX, ZC and ZX Control Suffixes



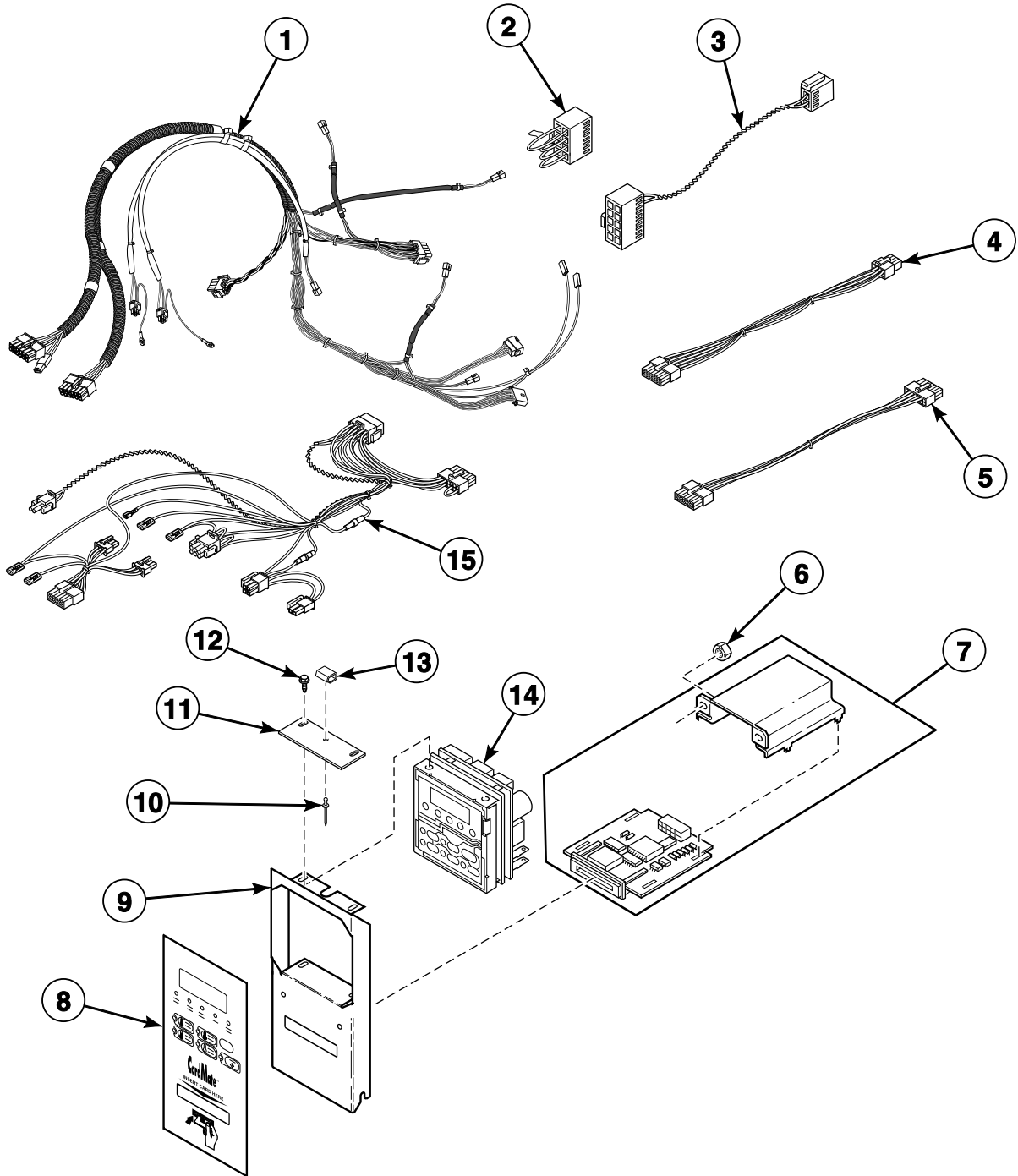
TMB2782P_70304801

Coin Drop Components for NetMaster Models

REF	PART NO.	DESCRIPTION	COMMENTS
	44147801	Overlay	K models
1	M400003	Pop Rivet	
2	70184501	Latch Mounting Bracket	
3	501524	Screw	4 required
4	431318	Control Door Latch	
5	70211703P	Jumper Calibration Assembly	
6	70346002P	Main Harness	Electric models need 55881 Harness Strap
7	505905P	Control Kit	Includes tape
8	70368001P	Control Panel Harness	
9	29786	Nut	
10	70292601	Audit Switch Bracket	
11	70364104P	Coin Vault Switch Harness	NC and ZC control suffixes
12	70107001	Pushbutton Switch	
13	70291101P	Control Plate Kit	
	70419501	Control Plate Assembly	K models
14	70184101	Overlay	Single drop
	70184102	Overlay	Dual drop
	70413601	Overlay	K models; NC and NX control suffixes; Single drop; Bottom
	70413602	Overlay	K models; NC and NX control suffixes; Dual drop; Bottom
	70413901	Overlay	K models; NC and NX control suffixes; Single drop; Upper
	70413902	Overlay	K models; NC and NX control suffixes; Dual drop; Upper

Card Reader Components for NetMaster Models

KT Models Through Serial No. 1101018349 and SA and ST Models Through Serial No. 0904004427
NR, NY, ZR and ZY Control Suffixes



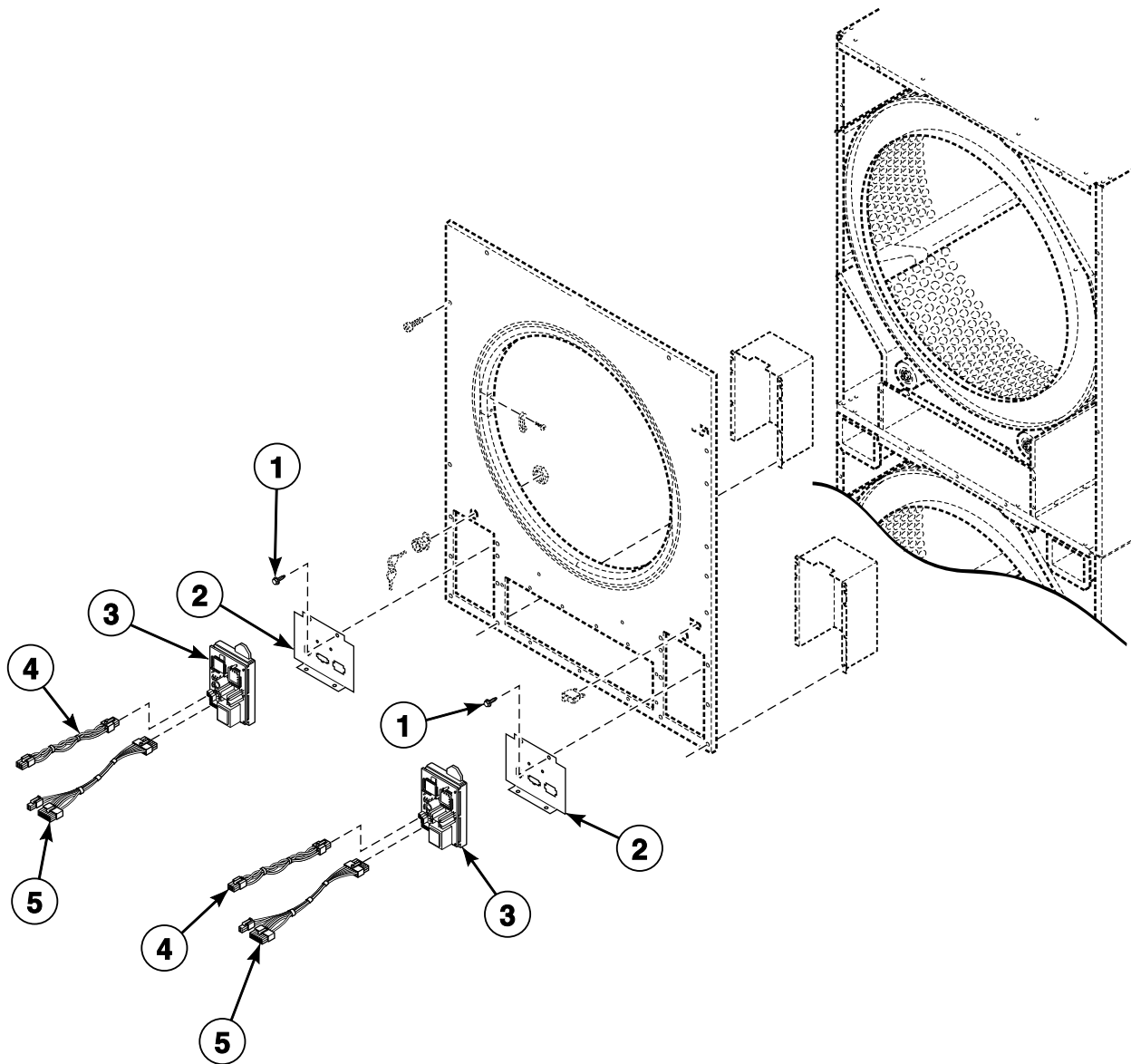
TMB2783P_70304801

Card Reader Components for NetMaster Models

REF	PART NO.	DESCRIPTION	COMMENTS
1	70346002P	Main Harness	ZR and ZY control suffixes; Electric models need 55881 Harness Strap
2	70364103	Bypass Harness	
3	70211703P	Jumper Calibration Assembly	
4	70206601	Card Reader Network Harness Assembly	Card reader or network
5	70211801	Card Reader Harness Assembly	
6	70054	Nut	2 required
7	510068P	Card Reader and Bracket Assembly	
8	70184201	Overlay	Card reader installed
	70235101	Overlay	Card reader ready
	70416301	Overlay	K models; NY control suffix; Upper
	70416401	Overlay	K models; NY control suffix; Bottom
9	70175911	Control Door Assembly	NR control suffix
10	M400003	Pop Rivet	
11	70184501	Latch Mounting Bracket	
12	501524	Screw	4 required
13	431318	Control Door Latch	
14	505905P	Control Kit	Includes tape
15	70368001P	Control Panel Harness	KT and ST models
	70315501P	Control Panel Harness	SA models

Network Board for NetMaster Models

SA and ST Models Through Serial No. 0904004427 with ZC, ZR, ZX and ZY Control Suffixes



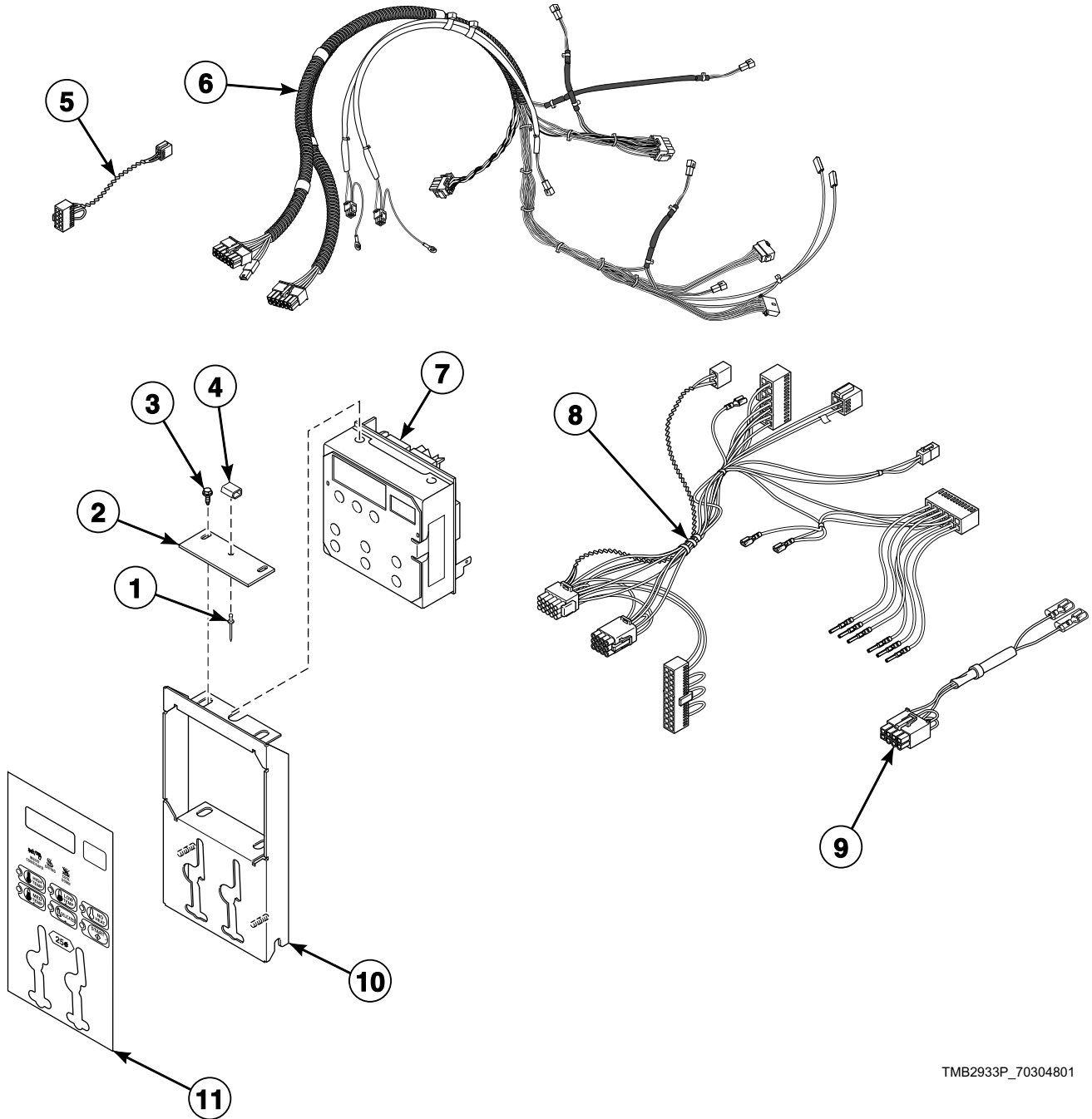
TMB2308P_70304801

Network Board for NetMaster Models

REF	PART NO.	DESCRIPTION	COMMENTS
1	52909	Screw	
2	70307002	Control Housing Cover	
3	210016P	Network Board Assembly	
4	70211101	Communication Harness Assembly	Network board to main harness at control bulkhead
5	800217	Network Wire Harness Assembly	

Coin Drop Components for Quantum Models

S Models with LC, LX, WC and WX Control Suffixes



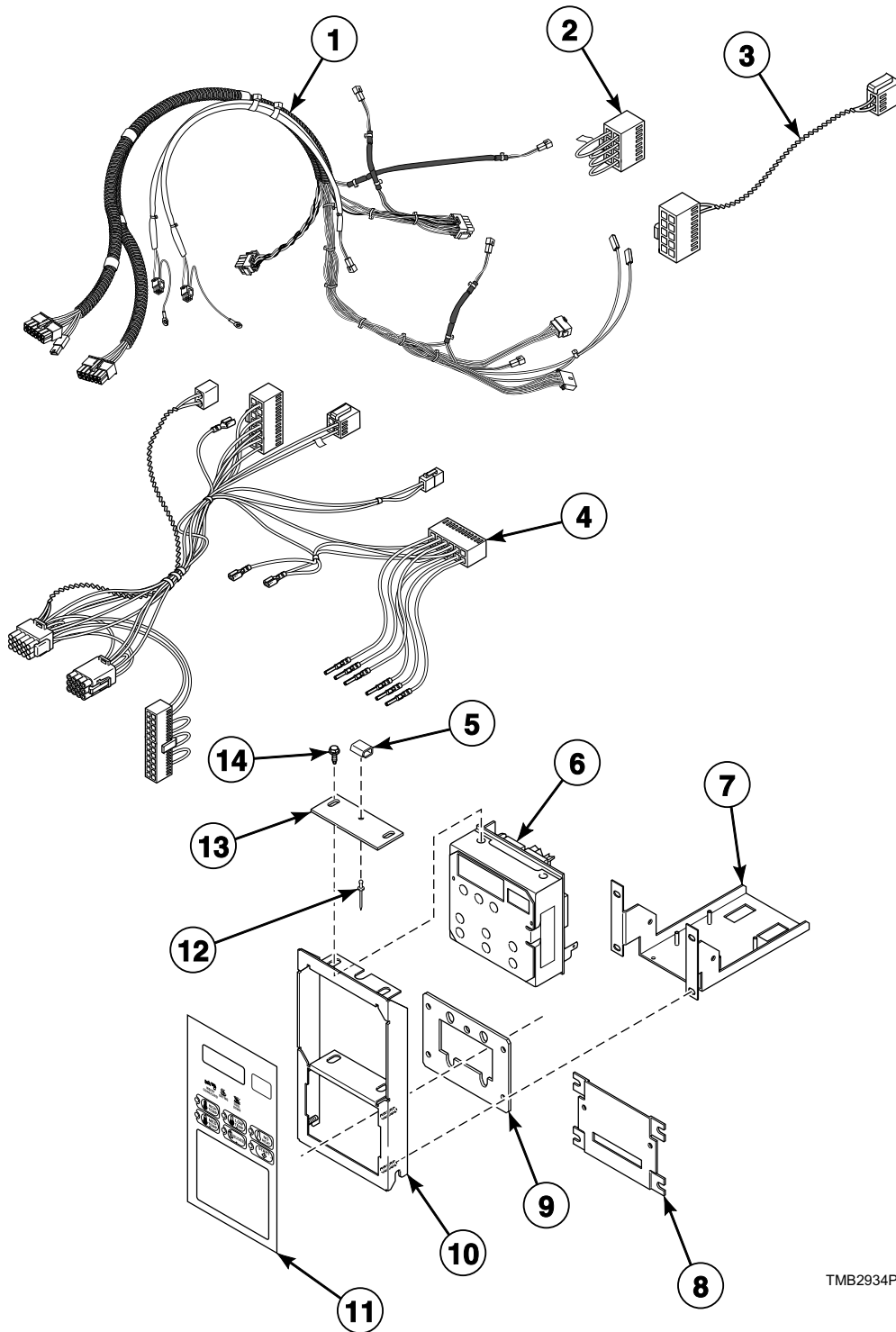
TMB2933P_70304801

Coin Drop Components for Quantum Models

REF	PART NO.	DESCRIPTION	COMMENTS
	NK207	Network Retrofit Kit	LC and LX control suffixes
	NK220	Network Controller Kit	LC and LX control suffixes
1	M400003	Pop Rivet	
2	70184501	Latch Mounting Bracket	
3	501524	Screw	4 required
4	431318	Control Door Latch	
5	70324603	Jumper Calibration Wire	
6	70346001P	Main Harness	LC and LX control suffixes; Electric models need 55881 Harness Strap; Models through 7/31/11
	70346002P	Main Harness	WC and WX control suffixes; Electric models need 55881 Harness Strap; Models through 7/31/11
	70441401	Main Harness	Electric models need 55881 Harness Strap; Models starting 8/1/11
7	512858P	Control Kit	Includes tape
8	70410401P	Control Panel Harness	
9	70364104P	Coin Vault Switch Harness	NC and ZC control suffixes
10	70291101P	Control Plate Kit	
11	70449401	Control Overlay	Models STT30D and STT45D
	70443401	Control Overlay	Models STT30D and STT45D; Upper
	70443501	Control Overlay	Models STT30D and STT45D; Lower
	70410101	Control Overlay	All other models; Single drop
	70410102	Control Overlay	All other models; Dual drop

Card Reader Components for Quantum Models

S Models with LY and WY Control Suffixes



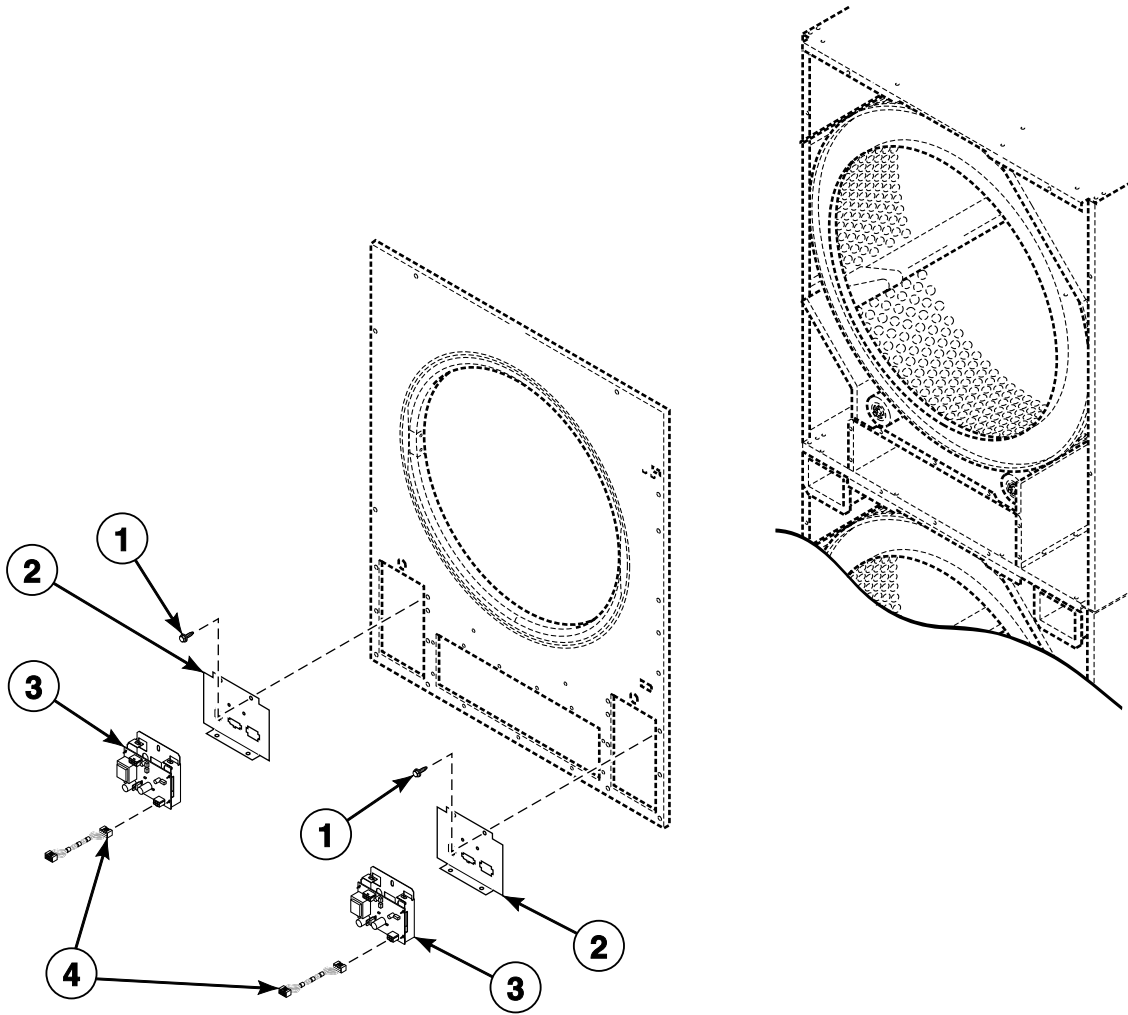
TMB2934P_70304801

Card Reader Components for Quantum Models

REF	PART NO.	DESCRIPTION	COMMENTS
	NK207	Network Retrofit Kit	LY control suffix
	NK220	Network Controller Kit	LY control suffix
1	70346001P	Main Harness	LY control suffix; Electric models need 55881 Harness Strap; Models through 7/31/11
	70346002P	Main Harness	WY control suffix; Electric models need 55881 Harness Strap; Models through 7/31/11
	70441401	Main Harness	Electric models need 55881 Harness Strap; Models starting 8/1/11
2	70364103	Bypass Harness	
3	70324603	Jumper Calibration Wire	
4	70410401P	Control Panel Harness	
5	431318	Control Door Latch	
6	512858P	Control Kit	Includes tape
7	70419201	Chassis Mounting Bracket Assembly	
8	44089501	Slot Card Plate Assembly	
9	70208801	Mounting Plate	
10	70348901	Control Plate Assembly	
11	70417601	Control Overlay	
12	M400003	Pop Rivet	
13	70184501	Latch Mounting Bracket	
14	501524	Screw	4 required

Network Board for Quantum Models

S Models with WC, WX and WY Control Suffixes



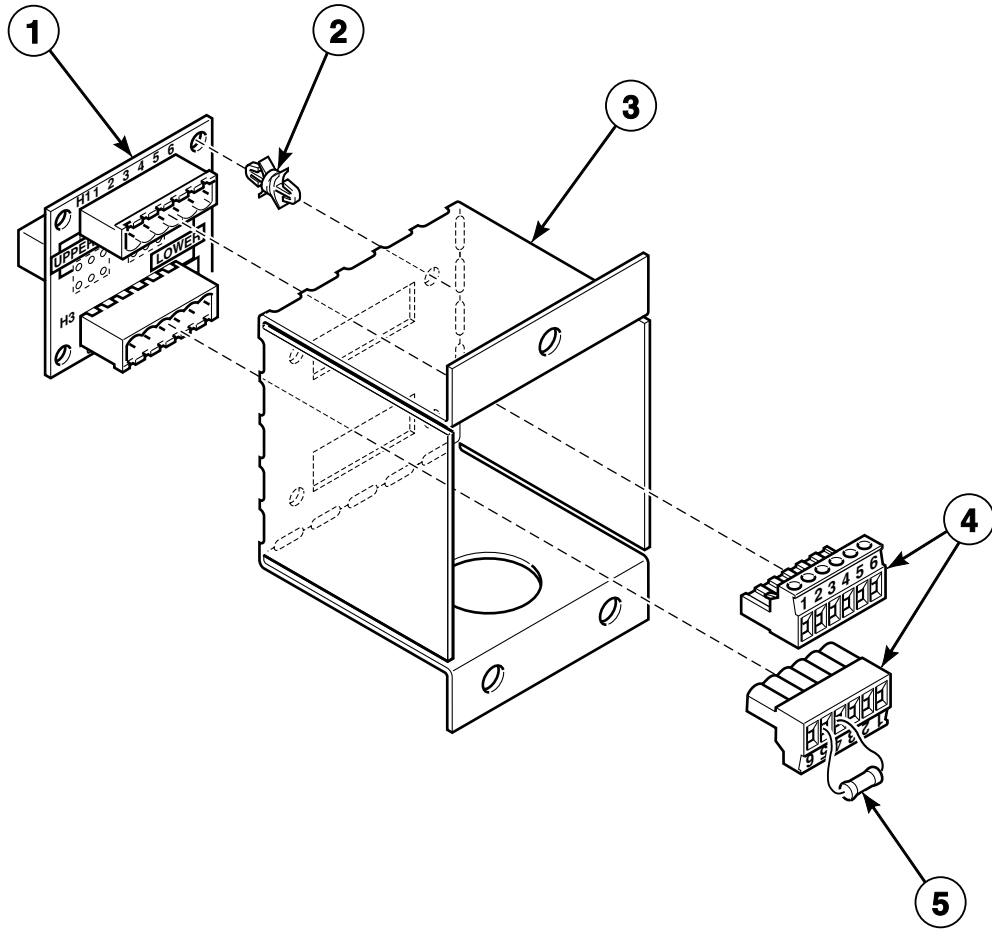
TMB2935P_70304801

Network Board for Quantum Models

REF	PART NO.	DESCRIPTION	COMMENTS
1	52909	Screw	
2	70307002	Control Housing Cover	
3	201341	Network Board Assembly	
4	44088501P	Network Wire Harness Assembly	

Communication Board

S Models with WC, ZC and ZR Control Suffixes



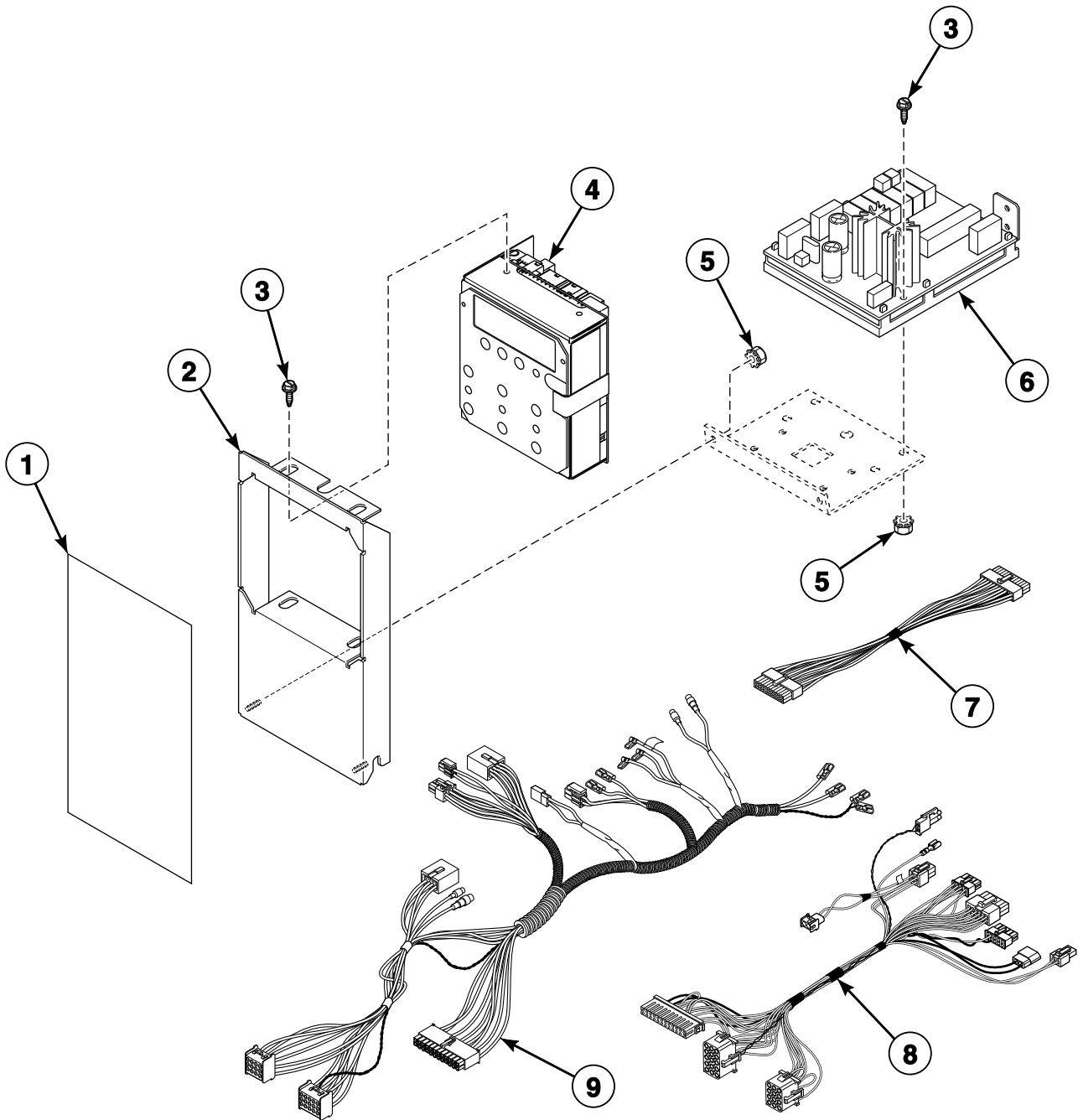
TMB2351P_70304801

Communication Board

REF	PART NO.	DESCRIPTION	COMMENTS
1	210097	Communication Board	
2	210098	PC Board Standoff	4 required
3	70323101	Communication Board Bracket	
4	210099	Communication Connector	
5	210162	Terminating Resistor	120 Ohms

LED OPL Control

C, D, H, I, S and U Models
G, K, L and P Models Starting 1/16/12
Models with EO Control Suffix

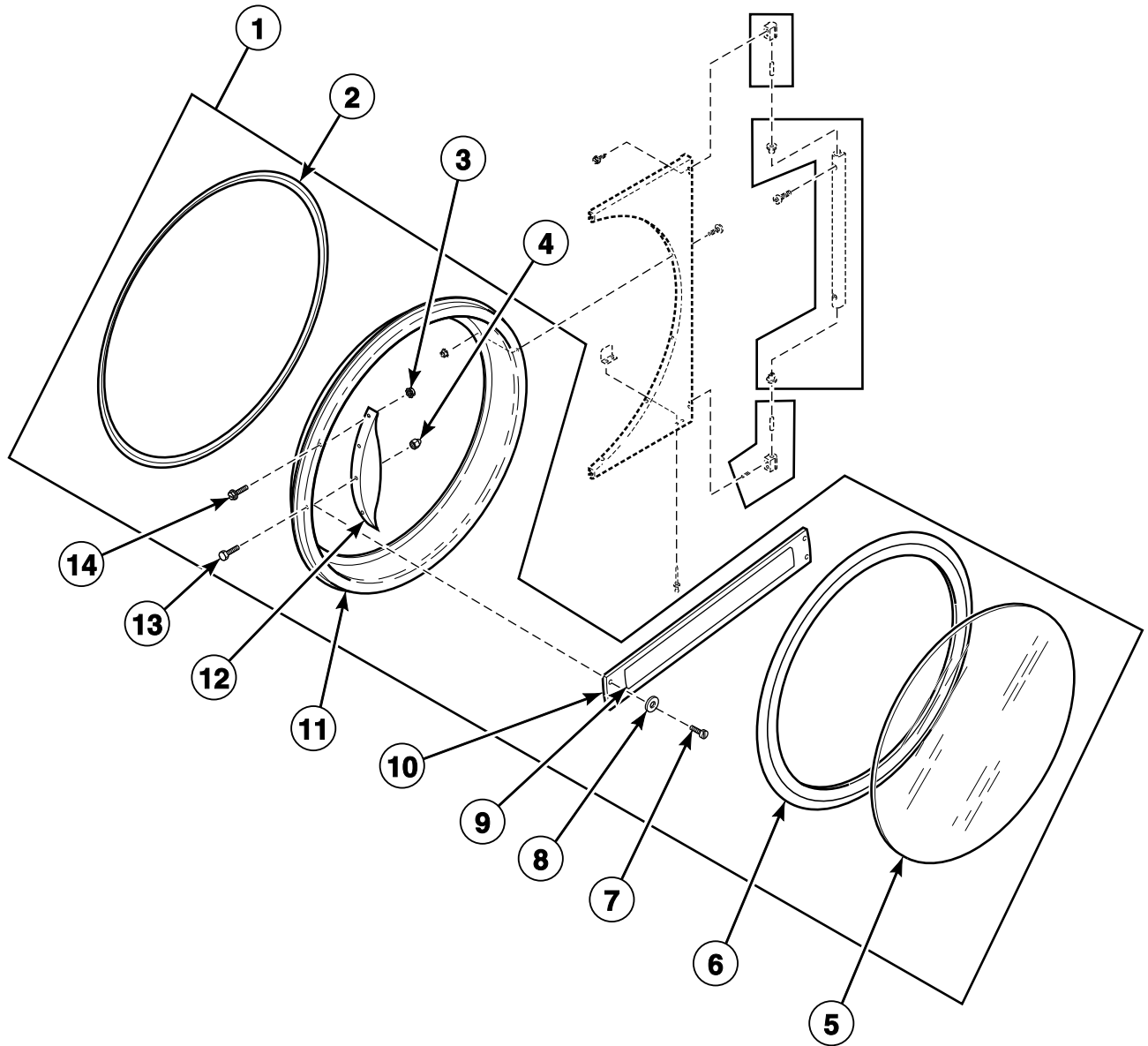


TMB3136P_70304801

LED OPL Control

REF	PART NO.	DESCRIPTION	COMMENTS
1	70467101	Overlay	S models
	70445102	Overlay	H models
	70466701	Overlay	C, D and I models
	70462801	Overlay	U models
	70463002	Overlay	G and K models
	70472502	Overlay	P models
	70472302	Overlay	L models
2	70441001	Control Door and Studs Assembly	C, D, I, S and U models
	70441101	Control Door and Studs Assembly	H models
3	501524	Screw	
4	70454101P	Control Assembly	H, S and U models
	70437102P	Control Assembly	C, D and I models
	70437103P	Control Assembly	P models
	70437104P	Control Assembly	G and K models
	70437105P	Control Assembly	L models
5	70054	Nut	
6	70434101	Control Assembly	
7	44186101	Output Harness	Use between item 4 and item 6
8	44240301	Control Panel Harness	Goes from item 4 to main harness
9	70441401	Main Harness	

Door Components



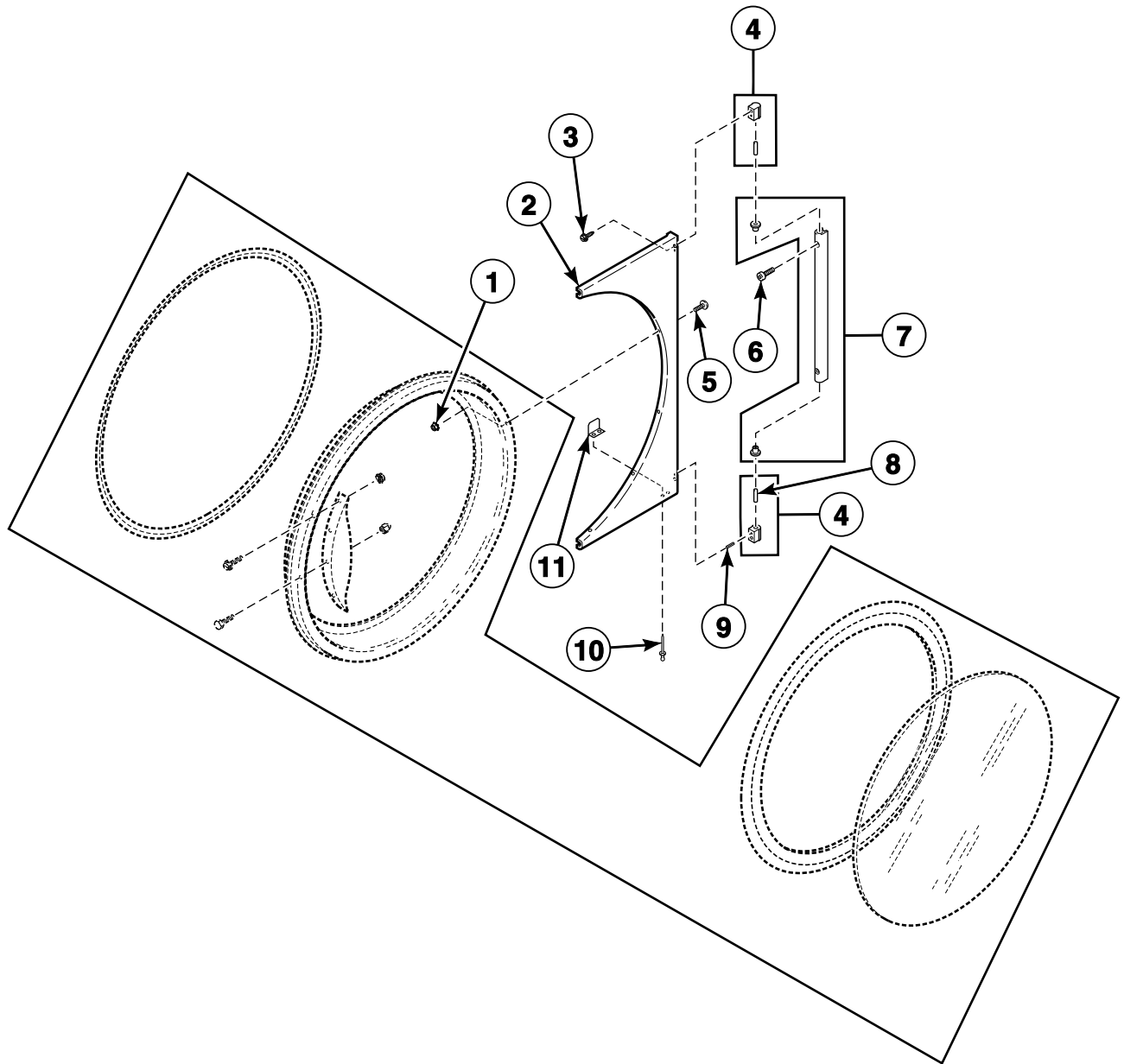
TMB3086P_70304801

Door Components

REF	PART NO.	DESCRIPTION	COMMENTS
1	70212300	Door Assembly	T30 M, S, and U models; Excludes hinge
	44046701	Door Assembly	T30 C, D, and I models through 7/31/11; Excludes hinge
	70212301	Door Assembly	T30 C, D, and I models starting 8/1/11; Excludes hinge
	44058001P	Door Assembly	T30 H models; Excludes hinge
	44058002	Door Assembly	T30 N models; Excludes hinge
	70408901	Door Assembly	T30 G and K models
	70212200	Door Assembly	P models; Excludes hinge
	70064100	Door Assembly	L models; Excludes hinge
	44058102P	Door Assembly	T45 H models
	44028902P	Door Assembly	T45 M, S and U models
	44112101	Door Assembly	T45 C, D and I models through 7/31/11
	44028903	Door Assembly	T45 C, D and I models starting 8/1/11
	70407401	Door Assembly	T45 K models; Includes door ring and straight handle bar
	2	70296801	Door Ring Gasket
44008201P		Door Ring Gasket	T45 models
3	44071201	Nut	
4	M414215	Nut	Door strike
5	70133601P	Door Glass	T30 H models
	M400784P	Door Glass	All other T30 models
	44008402P	Door Glass	T45 H models
	44008401P	Door Glass	All other T45 models
6	70211901P	Door Glass Seal Kit	T30 models
	70211902P	Door Seal Kit	T45 models
7	70412601	Pop Rivet	G and K models; Attaches door handle to door ring
8	70409301	Washer	G and K models
9	70411401	Nameplate Overlay	G models; Coin
	44144401	Nameplate Overlay	K models; Coin
10	70399502B	Handle Bar	T30 G and K models
	70399501B	Handle Bar	T45 G and K models
11	44043501	Door Ring and Handle Assembly	T30 C, D and I models through 7/31/11; Includes 44078201 Handle
	70455001B	Door Ring Assembly	T30 C, D and I models starting 8/1/11
	44112001	Door Ring and Handle Assembly	T45 C and I models through 7/31/11
	44007704B	Door Ring	T45 C, D and I models starting 8/1/11
	70399701B	Door Ring	T30 G and K models
12	44007902P	Door Handle	T30 M, N, S and U models; T30 C, D and I models starting 8/1/11
	44057701	Door Handle	T30 H models
	430117	Door Handle	L models
	M400133	Door Handle	P models
	44007901	Door Handle	T45 M, S and U models
	44057702	Door Handle	T45 H models
	44111901	Door Handle	T45 C, D, and I models
13	M400661	Screw	Door strike
14	430757	Screw	T30 M, S and U models
	N/A	Screw	P models; 1 required for right side of door handle for L models
	430756	Screw	2 required for left side of door handle for L models
	61199	Screw	H and N models; T45 M, S and U models
	70126301	Pop Rivet	G and K models; 4 required

N/A = Part no longer available

Door Hinge Components



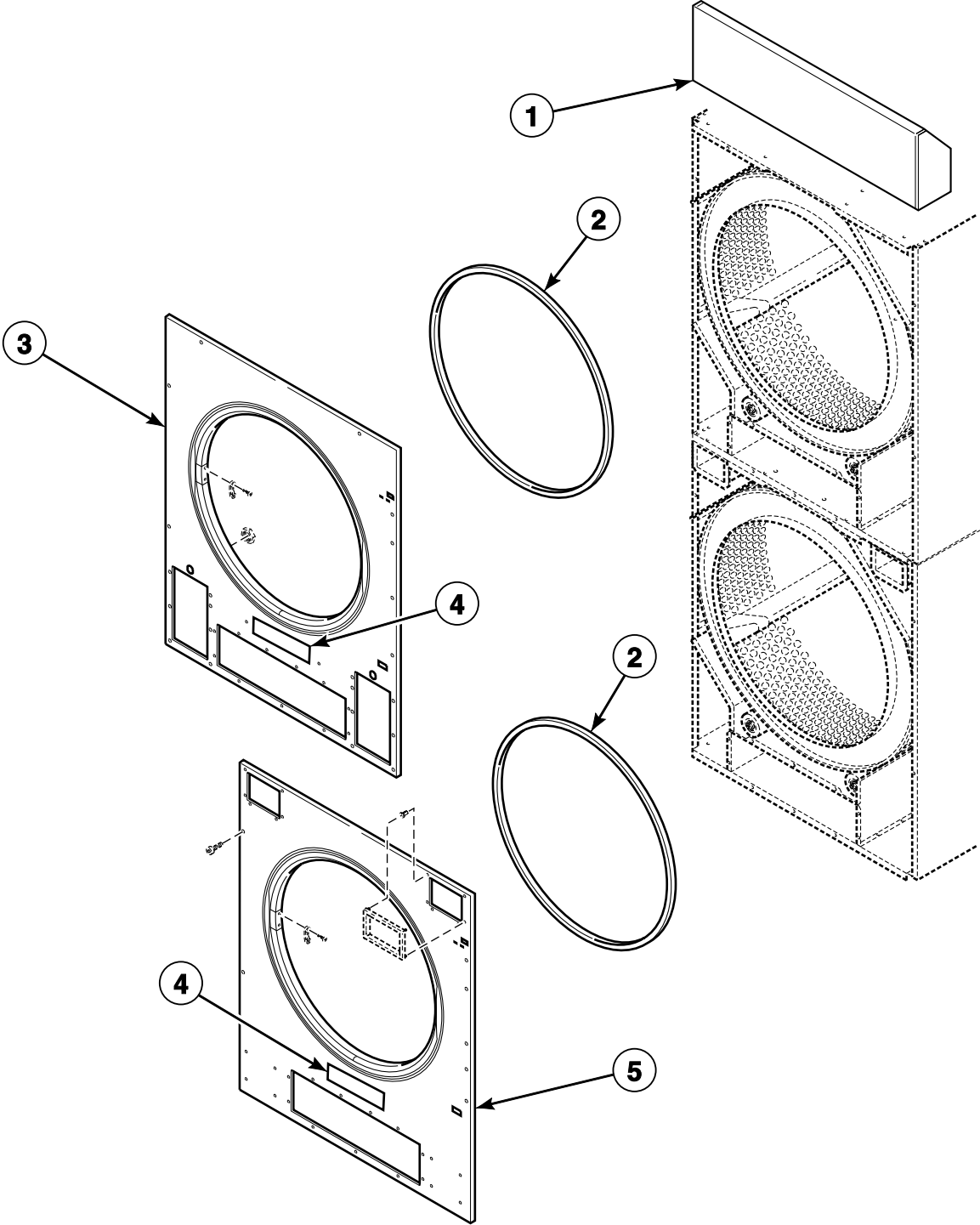
TMB2310PA_70304801

Door Hinge Components

REF	PART NO.	DESCRIPTION	COMMENTS
	M4788P3	Door Hinge Kit	T30 D and I models; To change from old look to new look
1	23951	Nut	
2	70115903B	Door Hinge	T30 G and K models; T30 D and I models starting 8/1/11
	70115901*	Door Hinge	T30 H, L, P, S and U models; T30 C models starting 8/1/11
	70115902	Door Hinge	T30 C, H, L, P, S and U models; T30 I models through 7/31/11; Stainless steel
	44075209B	Door Hinge Assembly	T45 G and K models; T45 D and I models starting 8/1/11
	44075205*	Door Hinge Assembly	T45 H, S and U models; T45 C models starting 8/1/11
	44075206	Door Hinge Assembly	T45 C, H, S and U models; T45 I models through 7/31/11; Stainless steel
3	61199	Screw	
4	M4773P3	Cam and Hinge Kit	G and K models; D and I models starting 8/1/11
	M4772P3	Cam and Hinge Kit	C, H, L, P, S and U models; I models through 7/31/11
5	M400044	Screw	
6	70407301	Screw	G and K models; D and I models starting 8/1/11
	70033502	Screw	C, H, L, P, S and U models; I models through 7/31/11
7	44035002	Door Hinge Lug Assembly	G and K models; D and I models starting 8/1/11; Black
	44035001	Door Hinge Lug Assembly	C, H, L, P, S and U models; I models through 7/31/11
8	70071401	Pin	
9	70071401	Pin	
10	70058501	Pop Rivet	
11	70215001P	Door Switch Actuator Kit	

* Add Letter To Designate Color. L - Almond Q - Bisque W - White

Front Panel Assemblies and False Fronts



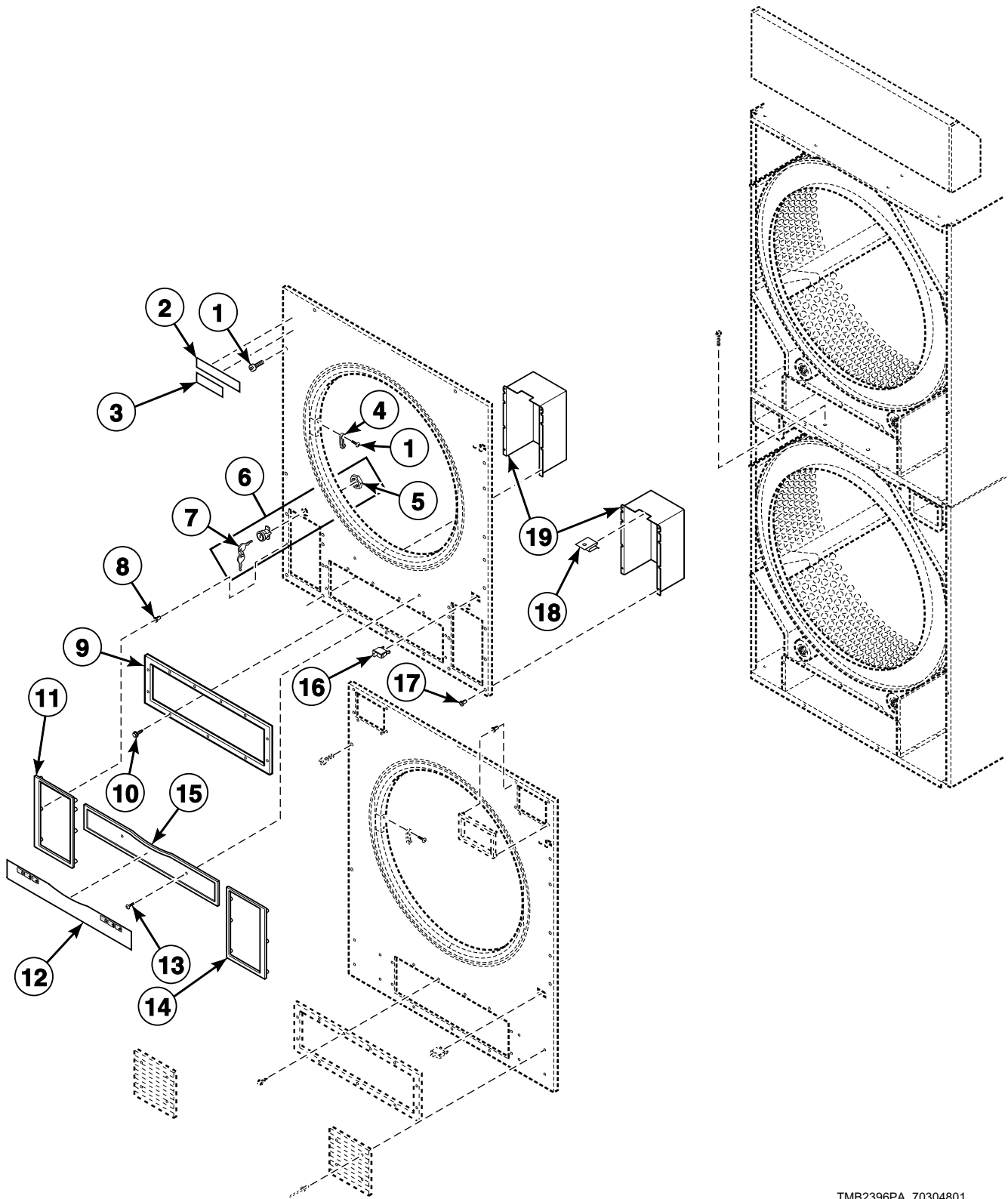
TMB3161P_70304801

Front Panel Assemblies and False Fronts

REF	PART NO.	DESCRIPTION	COMMENTS
	70399406	Access Panel Trim	T45 G and K models
	70399401	Access Panel Trim	T30 G and K models
	298P4P	Spray Paint	White
	297P4	Spray Paint	Almond
	286P4	Spray Paint	Blue
	122P4P	Porcelain Touch-Up Paint	White
	215P4P	Porcelain Touch-Up Paint	Almond
	370P4P	Porcelain Touch-Up Paint	Bisque
1	70371701*P	False Front Kit	T30 models; To match T45 height; Includes 2 screws
	70371702P	False Front Kit	T30 models; Stainless steel; To match T45 height; Includes 2 screws
2	70173401	Front Cylinder Seal	T30 models
	70173402	Front Cylinder Seal	T45 models
3	70391301*P	Upper Front Panel Assembly	T30 models
	70391302P	Upper Front Panel Assembly	T30 C, D, G, H, I, K, M and N models; Stainless steel
	70391303P	Upper Front Panel Assembly	T30 L, P, S and U models; Stainless steel
	70454501	Upper Front Panel Assembly	T30 models; Stainless steel; Includes parts on this page and Upper Cabinet Front Components page
	70391501*P	Upper Front Panel Assembly	T45 H, N, S and U models
	70391502P	Upper Front Panel Assembly	T45 C, D, G, H, I, K, M, N and U models; Stainless steel
	70391503P	Upper Front Panel Assembly	T45 S models; Stainless steel
4	70418101	Instruction Label	Card models
5	70391205*	Lower Front Panel Assembly	T30 CE OPL models
	70391206P	Lower Front Panel Assembly	T30 CE OPL models; Stainless steel
	70391201*P	Lower Front Panel Assembly	T30 coin models
	70391202P	Lower Front Panel Assembly	T30 coin models; Stainless steel
	70391203*P	Lower Front Panel Assembly	T30 OPL models
	70391204	Lower Front Panel Assembly	T30 OPL models; Stainless steel
	70454502	Lower Front Panel Assembly	T30 models; Stainless steel; Includes parts on this page and Upper Cabinet Front Components page
	70391401*P	Lower Front Panel Assembly	T45 coin models
	70391402P	Lower Front Panel Assembly	T45 coin models; Stainless steel
	70391403*P	Lower Front Panel Assembly	T45 OPL models
	70391404P	Lower Front Panel Assembly	T45 OPL models; Stainless steel

* Add Letter To Designate Color. L - Almond Q - Bisque W - White

Upper Cabinet Front Components

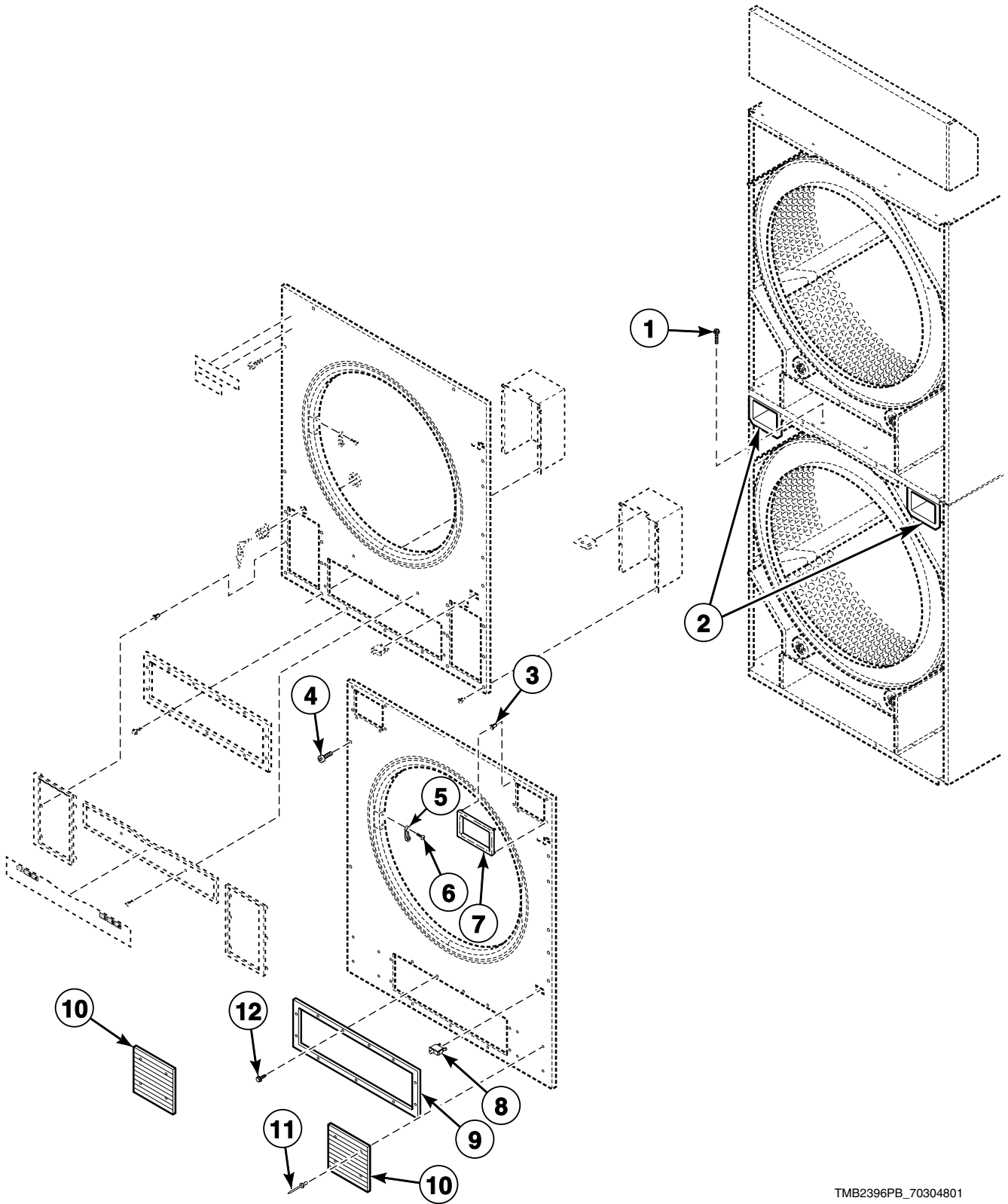


TMB2396PA_70304801

Upper Cabinet Front Components

REF	PART NO.	DESCRIPTION	COMMENTS
	70017301	Front Panel Baffle Seal	2 required
	M410892	Warning Label	
1	70033502	Screw	For painted front panels
	70182601	Screw	For stainless steel front panels
2	44062901	Nameplate	C models
	44046801	Nameplate	D and I models
3	70289201	Nameplate	T30 C models through Serial No. 0205xxxxx
	44129906	Nameplate	T30 C models starting Serial No. 0205xxxxx
	44129908	Nameplate	T45 C models
	70286601	Label	T30 D models
	70286602	Label	T45 D models
	70289801	Nameplate	T30 I models
	70289802	Label	T45 I models
	70414001	Label	G and K models; Coin
4	M401223	Door Latch	
5	44088801	Nut	Panel lock
6	44089301P	Lock, Key and Nut Kit	RL001
7	70155601	Key	RL001
8	M400972	Shadow Box Clip	6 required per coin vault trim
9	70117901P	Lint Drawer Gasket	T30 models
	70300201P	Lint Drawer Gasket	T45 models
10	70275801	Screw	8 required
11	70117001	Control Trim	H and N models; Gray
	70116902	Control Trim	All other models; Black; Left
12	70114601	Overlay	T30 S and U models; Coin
	70115401	Overlay	T30 S models; Card
	70362601	Overlay	T30 S and U models; Blank
	70412901	Overlay	P models
	70243801	Overlay	L models
	70411601	Overlay	G models
	70413701	Overlay	K models
	70299701	Center Trim Overlay	T45 S models; Coin
	70362701	Overlay	T45 S models; Card
	70362301	Overlay	T45 S and U models; Blank
13	M405188	Screw	2 required for S and U models
14	70117001	Control Trim	H and N models; Gray
	70116901	Control Trim	All other models; Black; Right
15	70120501	Control Trim	T30 models; Center
	70299601	Center Trim	T45 models; Center
16	70107001	Pushbutton Switch	
17	M400003	Pop Rivet	2 required per latch; 4 required per control housing
18	M406494	Panel Clip	2 required per control housing
19	70119901	Control Housing	

Lower Cabinet Front Components

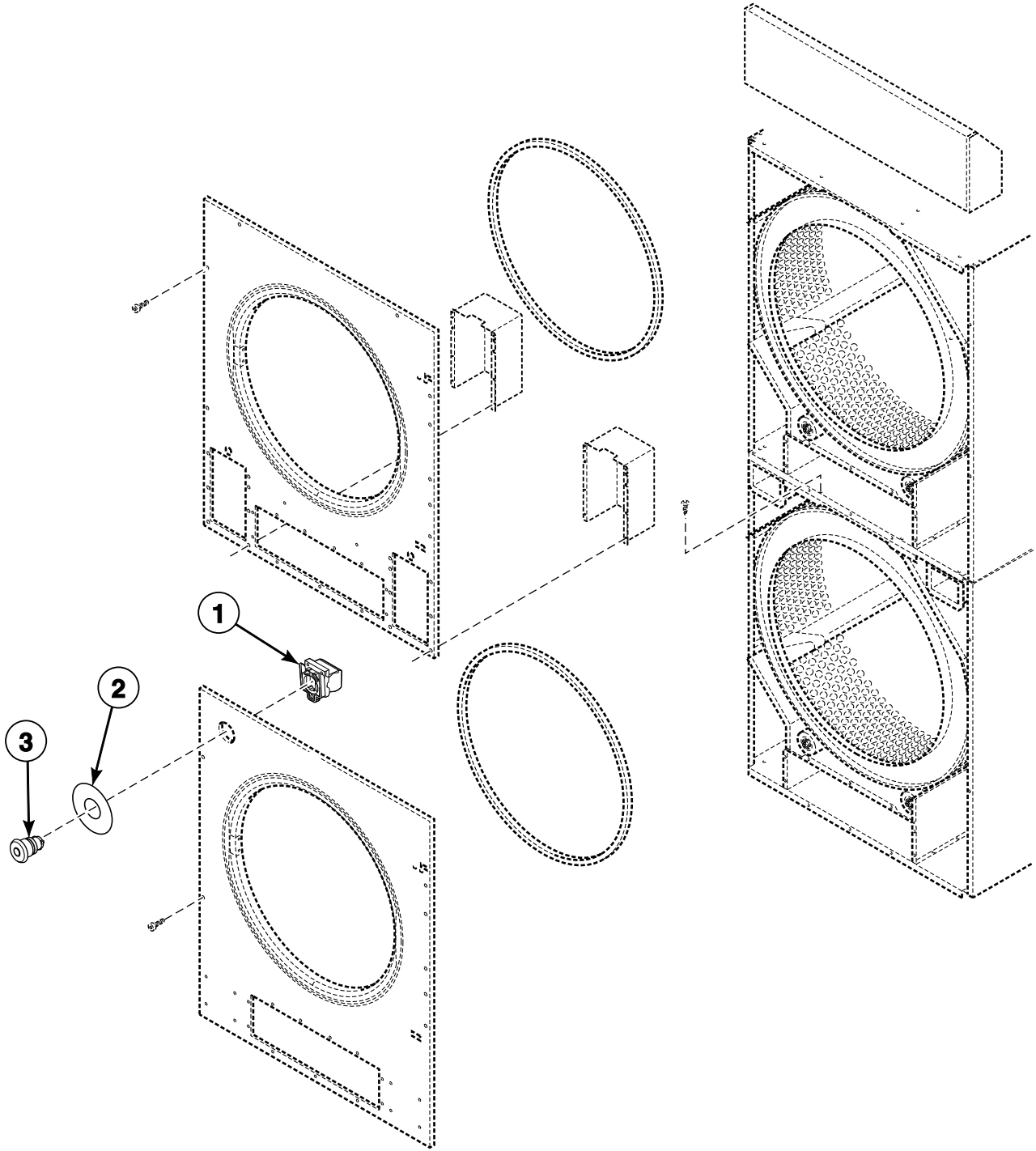


TMB2396PB_70304801

Lower Cabinet Front Components

REF	PART NO.	DESCRIPTION	COMMENTS
	M4379P4	Tumbler Dolly Kit	
	M410892	Warning Label	
	70345801	Base Harness	Models through 7/31/11
	70449001	Base Harness	Models starting 8/1/11
	70017301	Front Panel Baffle Seal	2 required
1	70069901	Screw	
2	70180101	Coin Vault Assembly	
3	M400972	Shadow Box Clip	6 required per coin vault trim
4	70033502	Screw	For painted front panels
	70182601	Screw	For stainless steel front panels
5	M401223	Door Latch	
6	44166601	Pop Rivet	2 required per latch; 4 required per control housing
7	70117501	Coin Vault Trim	H and N models; Gray
	70117502	Coin Vault Trim	All other models; Black
8	70107001	Pushbutton Switch	
9	70117901P	Lint Drawer Gasket	T30 models
	70300201P	Lint Drawer Gasket	T45 models
10	70117606	Kickplate	H and N models
	70117605	Kickplate	All other models
11	70126401	Pop Rivet	4 required per kickplate; H and N models; Gray
	70126301	Pop Rivet	4 required per kickplate; All other models; Black
12	70275801	Screw	8 required

Emergency Stop Button for CE Models

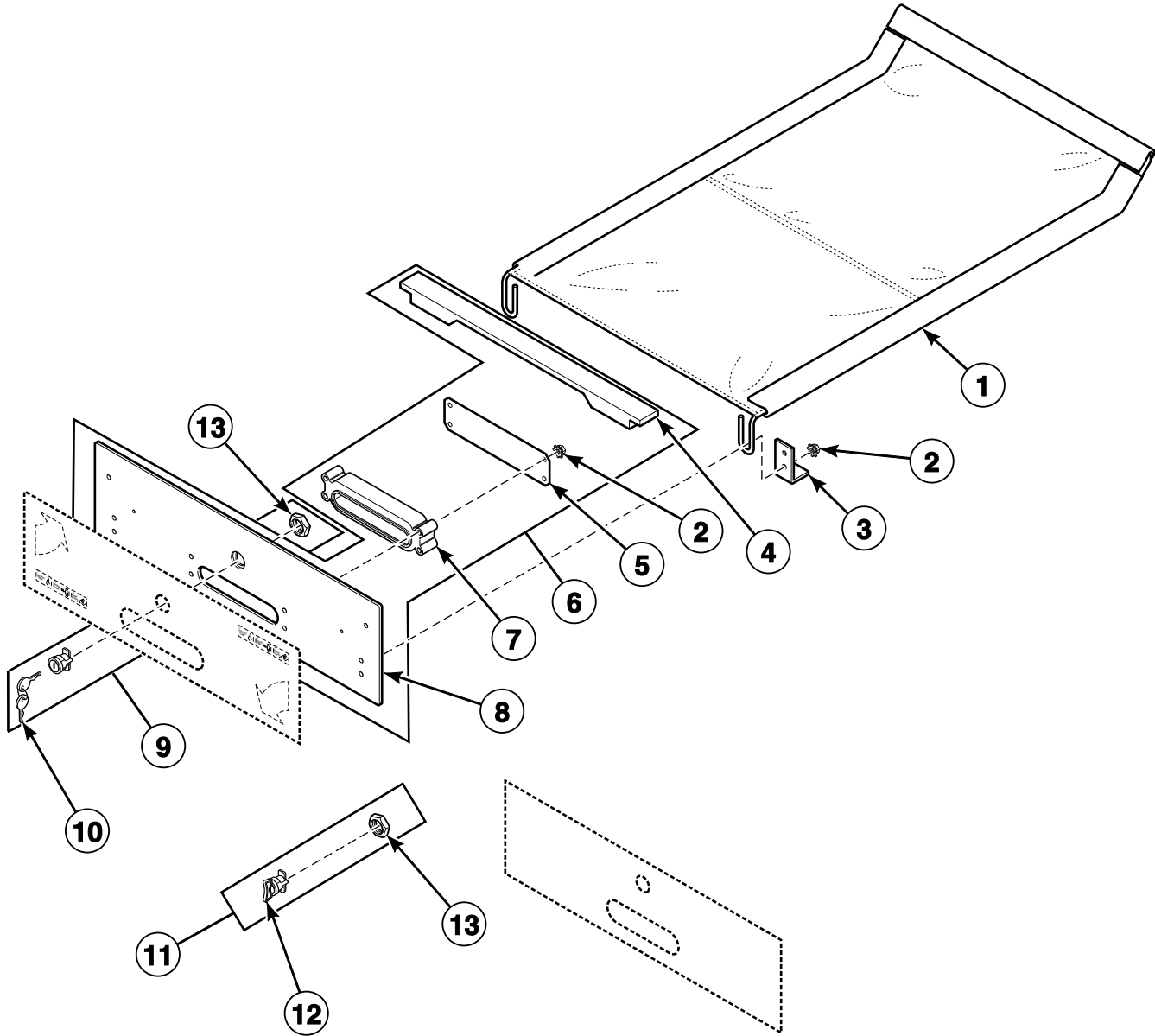


TMB2347P_70304801

Emergency Stop Button for CE Models

REF	PART NO.	DESCRIPTION	COMMENTS
	70364102	Emergency Stop Harness	2 contacts
	70364101P	Emergency Stop Harness	4 contacts
	F200233700P	Emergency Stop Button Kit	Models starting 10/1/07
1	44018701	Contact Block	Models through 9/30/07; With base
	44018901	Contact Block	Models through 9/30/07; Without base
	F200233401	Contact Block Switch	Models starting 10/1/07
	F8069501	Contact Switch	Models starting 10/1/07
2	44012901	Emergency Stop Label	
3	44018801	Pushbutton	Models through 9/30/07
	F200233500	Emergency Stop Pushbutton	Models starting 10/1/07

Lint Drawer Components

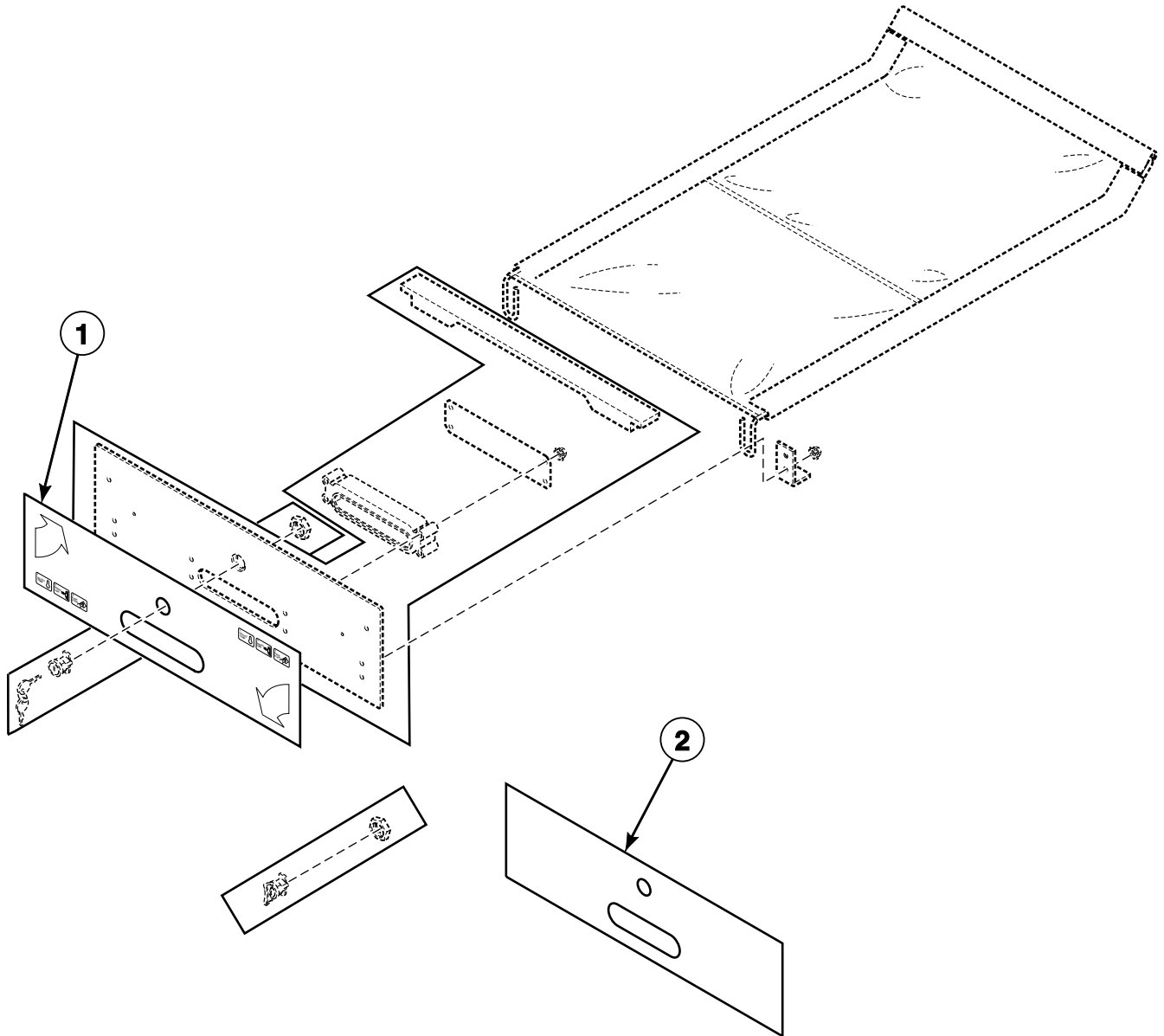


TMB2735P_70304801

Lint Drawer Components

REF	PART NO.	DESCRIPTION	COMMENTS
	70342401	Lock Shim	T30 models; Black
	70342402	Lock Shim	T30 models; Gray
1	70290601	Lint Screen Assembly	T30 models
	70301201	Lint Screen Assembly	T45 models
2	44087101	Nut	6 required
3	70026901	Lint Screen Bracket	2 required
4	70333101	Lint Frame Gasket	T30 models
	70333103	Lint Frame Gasket	T45 models
5	70323201	Lint Drawer Handle Plate	
6	70322901P	Lint Drawer Front Kit	T30 models; Black; Includes 70342401 Lock Shim
	70322902P	Lint Drawer Front Kit	T30 models; Gray; Includes 70342402 Lock Shim
	70323001	Lint Drawer Front Assembly	T45 models; Black
	70323002	Lint Drawer Front Assembly	T45 models; Gray
7	70320801	Lint Drawer Handle	Black
	70320802	Lint Drawer Handle	Gray
8	70322901P	Lint Drawer Front Kit	Includes studs
9	44089302P	Lock, Key and Nut Kit	RL002
10	70155602	Key	RL002
11	70399201P	Panel Latch Kit	C, D, G, H, I, K, S and U models
12	70399201	Panel Latch	C, D, G, H, I, K, S and U models; 3O, BG and QT control suffixes
13	44088801	Nut	

Lint Drawer Overlays

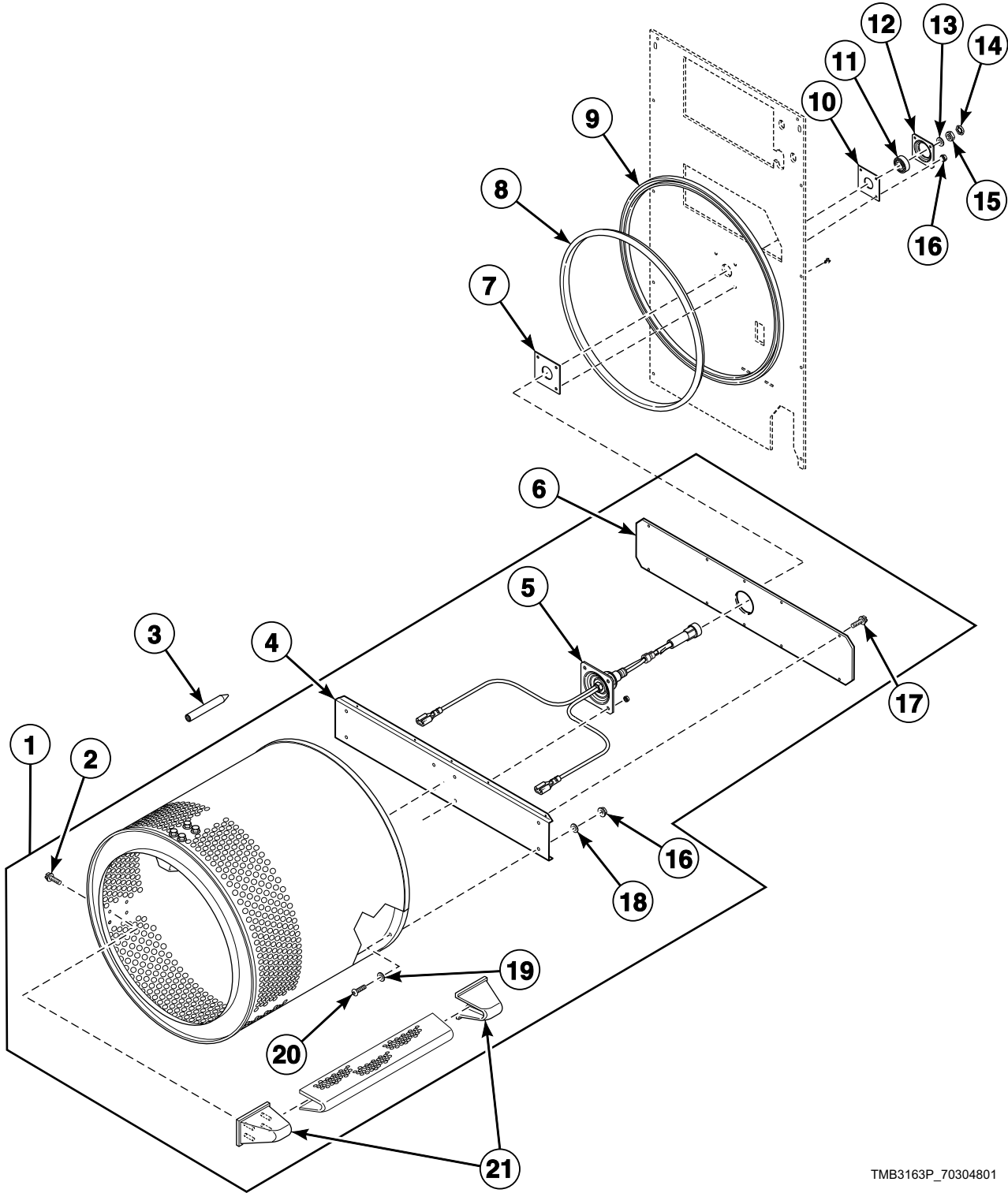


TMB2735PA_70304801

Lint Drawer Overlays

REF	PART NO.	DESCRIPTION	COMMENTS
1	70114701	Overlay	T30 SA and ST models; Upper lint drawer; OPL and coin
	70136301	Overlay	T30 SU models; Upper lint drawer; OPL and coin
	70375301	Overlay	T30 HA and HT models; Upper lint drawer; OPL
	70136501	Overlay	T30 HU models; Upper lint drawer
	70395901	Overlay	T30 H models; Upper lint drawer; Coin
	70460901	Overlay	T30 U models; Upper lint drawer
	70304301	Overlay	T30 N models; Upper lint drawer
	70351601	Overlay	T30 M models; Upper lint drawer
	70411601	Overlay	T30 G models; Upper lint drawer
	70137101	Overlay	T30 P models; Upper lint drawer
	70413701	Overlay	T30 K models; Upper lint drawer
	70258201	Overlay	T30 C, D and I non-Australian and non-CE models; Upper lint drawer
	70285001	Overlay	T30 C and D CE models; Upper lint drawer
	70299901	Overlay	T45 S models; Upper lint drawer
	70428701	Overlay	T45 S models; Upper lint drawer; Icon
	70461001	Overlay	T45 U models; Upper lint drawer
	70363101	Overlay	T45 H models; Upper lint drawer; OPL
	70428901	Overlay	T45 H models; Upper lint drawer; OPL; Icon
	70396001	Overlay	T45 H models; Upper lint drawer; Coin
	70428801	Overlay	T45 H models; Upper lint drawer; Coin; Icon
	70381101	Overlay	T45 M models; Upper lint drawer
	70408001	Overlay	T45 C, D and I models; Upper lint drawer
	70413801	Overlay	T45 K models; Upper lint drawer
2	70115301	Overlay	T30 C, D, G, I, K, L, P, S and U non-CE models; Lower lint drawer
	70136401	Overlay	T30 C, D, G, K, L, P, S and U CE models; Lower lint drawer
	70115201	Overlay	T30 HA and HT models; Lower lint drawer
	70136601	Overlay	T30 HU models; Lower lint drawer
	70137101	Overlay	T30 P models; Lower lint drawer
	70351701	Overlay	T30 M models; Lower lint drawer
	70300001	Overlay	T45 C, D, G, I, K, S and U models; Lower lint drawer
	70428702	Overlay	T45 S models; Lower lint drawer; Icon
	70325301	Overlay	T45 H models; Lower lint drawer
	70428802	Overlay	T45 H models; Lower lint drawer; Icon
	70381201	Overlay	T45 M models; Lower lint drawer

Cylinder Components

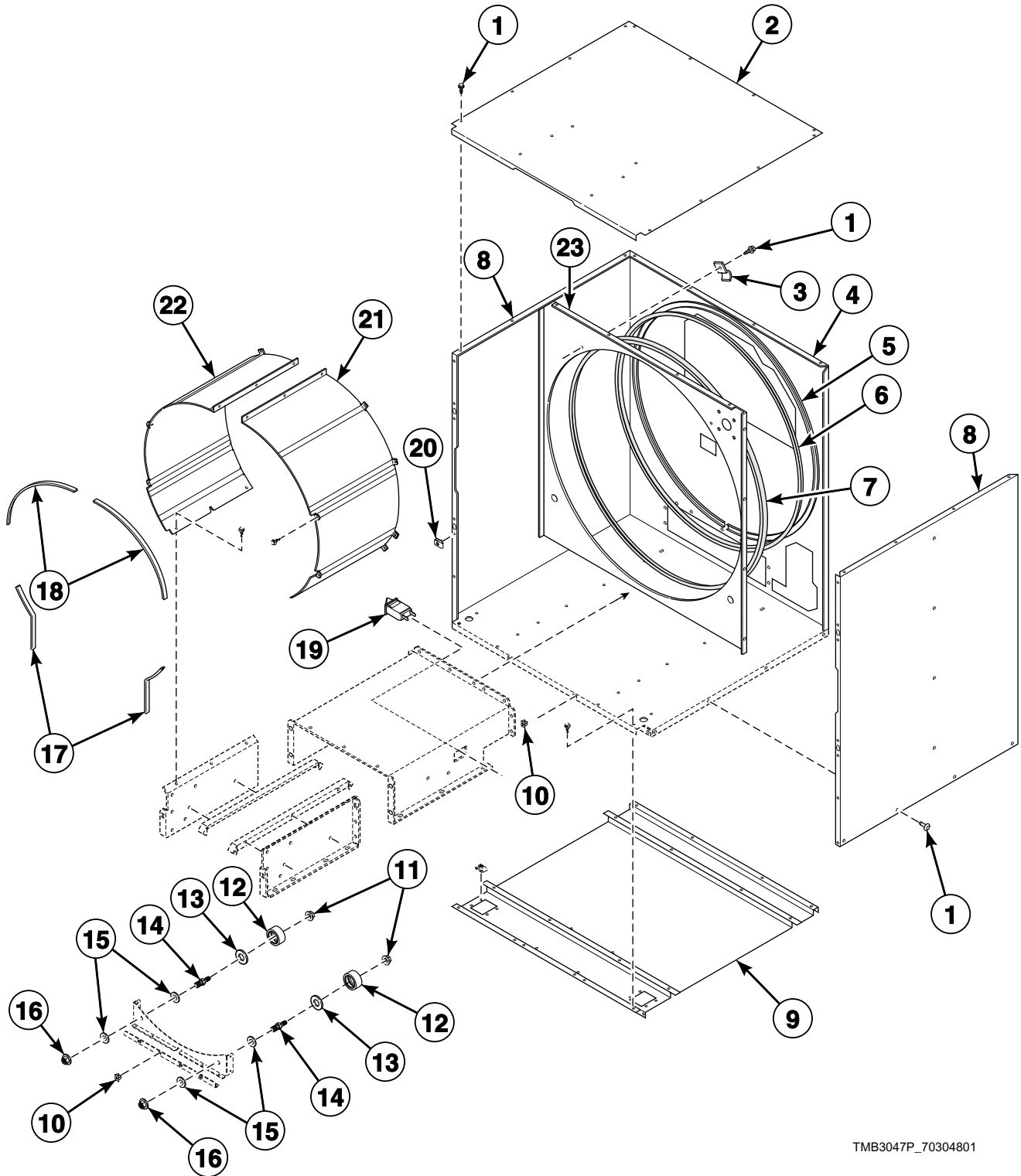


TMB3163P_70304801

Cylinder Components

REF	PART NO.	DESCRIPTION	COMMENTS
	70343101P	Drywall Screw Magnet Kit	Includes 6 magnets and 6 screws
1	70372503P	Cylinder Assembly	T30 K models; Non-moisture sensing
	70372501P	Cylinder Assembly	All other T30 models; Galvanized; Non-moisture sensing
	70372502P	Cylinder Assembly	All other T30 models; Stainless steel; Non-moisture sensing
	70372903	Cylinder Assembly	T45 K models; Non-moisture sensing
	70372901P	Cylinder Assembly	All other T45 models; Galvanized; Non-moisture sensing
	70372902P	Cylinder Assembly	All other T45 models; Stainless steel; Non-moisture sensing
	70443903	Cylinder and Trunnion Assembly	T30 G and K models; Moisture sensing
	70443901	Cylinder and Trunnion Assembly	All other T30 models; Galvanized; Moisture sensing
	70443902	Cylinder and Trunnion Assembly	All other T30 models; Stainless steel; Moisture sensing
	70444003	Cylinder and Trunnion Assembly	T45 G and K models; Moisture sensing
	70444001	Cylinder and Trunnion Assembly	All other T45 models; Galvanized; Moisture sensing
70444002	Cylinder and Trunnion Assembly	All other T45 models; Stainless steel; Moisture sensing	
2	62588	Screw	
3	263P4	Cylinder Guide Tool	
4	70257101	Rear Cylinder Channel	T30 models; Non-moisture sensing
	70257102	Rear Cylinder Channel	T30 models; Moisture sensing
	70305201	Rear Cylinder Channel	T45 models; Non-moisture sensing
	70305202	Rear Cylinder Channel	T45 models; Moisture sensing
5	M4960P3	Trunnion and Seal Kit	T30 models; Also order 511637P Adhesive; Non-moisture sensing
	M4962P3	Trunnion and Seal Kit	T45 models; Also order 511637P Adhesive; Non-moisture sensing
	70454601	Trunnion and Wire Assembly	Moisture sensing; Includes 70244702 Trunnion Assembly
6	70257201	Rear Cylinder Channel Plate	T30 models
	70305301	Rear Cylinder Channel Plate	T45 models
7	430352	Cylinder Bearing Stud Plate Assembly	
8	70013701P	Rear Cylinder Seal	T30 models; Requires 511637P Adhesive
	70013703	Rear Cylinder Seal	T45 models; Requires 511637P Adhesive
9	70017201	Rear Cylinder Seal Support	T30 models
	70305401	Rear Cylinder Seal Support	T45 models
10	70355001	Rear Bearing Shim	
11	70448701	Support Bearing	
12	70013901	Rear Cylinder Bearing Housing	
13	M400991	Washer	
14	M400034	Nut	
15	M400022	Nut	
16	M412986	Nut	
	70411301	Washer	Models starting Serial No. 0708006766
17	430497	Screw	10 required
18	M400080	Washer	Models through Serial No. 0708006765
19	70411301	Washer	Models starting Serial No. 0708006766
20	70392801	Bolt	8 required
21	70070101	End Cap	Non-moisture sensing
	70070102	End Cap	Moisture sensing

Cabinet Components



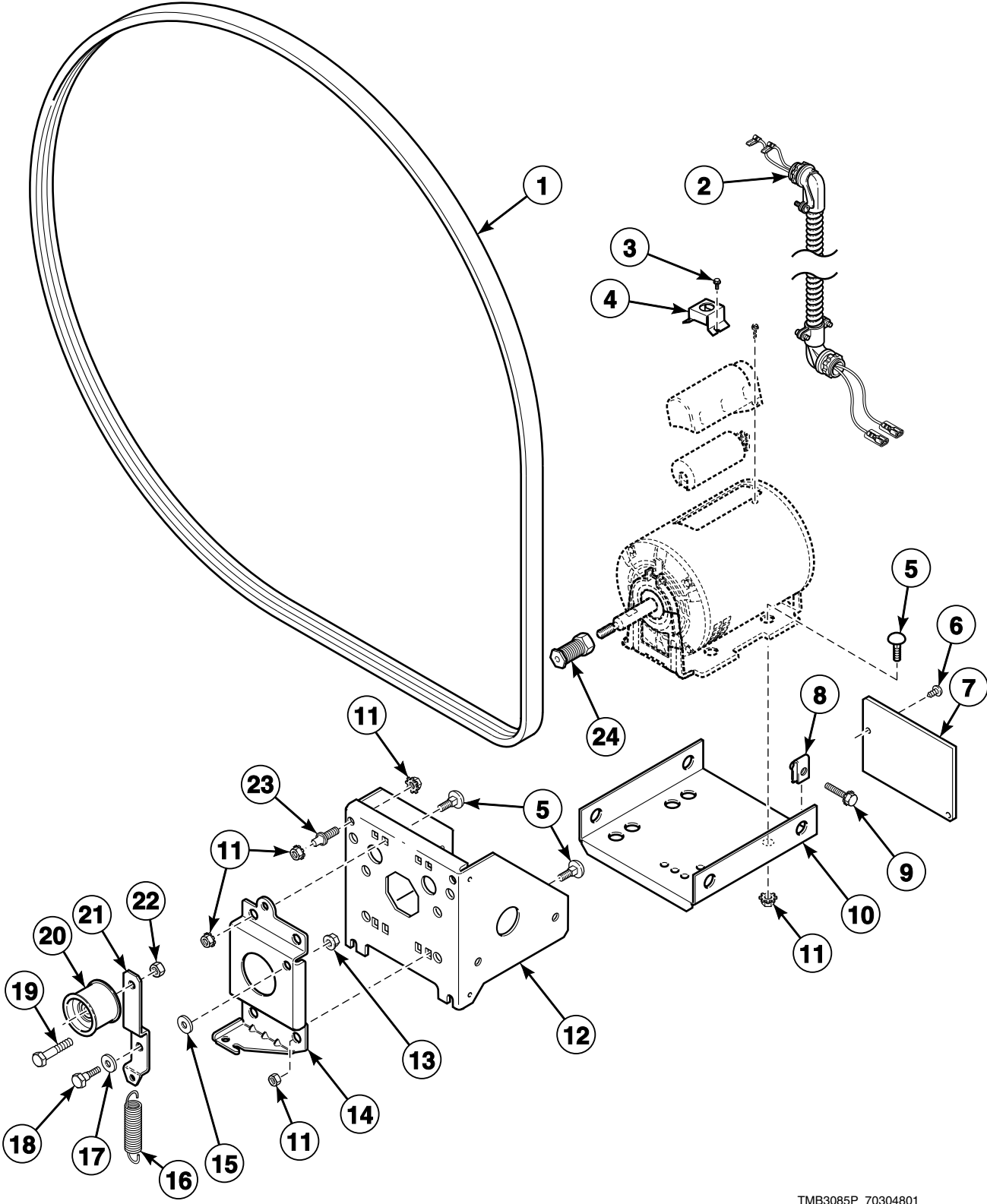
TMB3047P_70304801

Cabinet Components

REF	PART NO.	DESCRIPTION	COMMENTS
	430352	Cylinder Bearing Stud Plate Assembly	
	70058501	Pop Rivet	
	70288201	Channel Base Assembly	T30 models
	21899	Nut	For leveling legs
	70247701	Screw	For leveling legs
	298P4P	Spray Paint	White
	297P4	Spray Paint	Almond
	286P4	Spray Paint	Blue
	122P4P	Porcelain Touch-Up Paint	White
	215P4P	Porcelain Touch-Up Paint	Almond
	370P4P	Porcelain Touch-Up Paint	Bisque
1	430497	Screw	
2	70357701	Top Panel Assembly	T30 models; Upper; Includes threaded insert
	70357801	Top Panel Assembly	T45 models; Upper; Includes threaded insert
3	70226701	Clip	
4	70339401	Rear Panel	T30 gas models
	70339402	Rear Panel	T30 electric and steam models
	70301701	Rear Panel	T45 models
5	70017201	Rear Cylinder Seal Support	T30 models
	70305401	Rear Cylinder Seal Support	T45 models
6	70013701P	Rear Cylinder Seal	T30 models
	70013703	Rear Cylinder Seal	T45 models
7	70066003	Center Cylinder Seal Assembly	T30 models; Includes center cylinder seal support and center cylinder seal
	70066005	Center Cylinder Seal	T45 models; Includes center cylinder seal support and center cylinder seal
8	70231801*P	Side Panel	T30 models
	70301801*P	Side Panel	T45 models
9	70302001	Top Panel	T45 models; Lower
10	70030501	Expansion Clip	
11	430576	Nut	
12	70298701P	Roller Bearing Assembly	
13	70443601	Roller Seal	Models starting 3/1/10
14	70249501	Roller Shaft	
15	70261401	Washer	
16	70288801	Nut	
17	70015711	Sheet Metal Edge Gasket	T30 models; Lower
	70015707	Sheet Metal Edge Gasket	T45 models; Lower
18	70015712	Sheet Metal Edge Gasket	T30 models; Upper
	70015708	Sheet Metal Edge Gasket	T45 models; Upper
19	431159	Lint Drawer Switch	
20	70030401	Nut	
21	70339301	Cylinder Shroud	T30 models; Right
	70301901	Cylinder Shroud	T45 models; Right
22	70339302	Cylinder Shroud	T30 models; Left
	70301902	Cylinder Shroud	T45 models; Left
23	70339201	Center Partition	T30 models
	70301601	Center Partition	T45 models

* Add Letter To Designate Color. L - Almond Q - Bisque W - White

Drive Motor Components

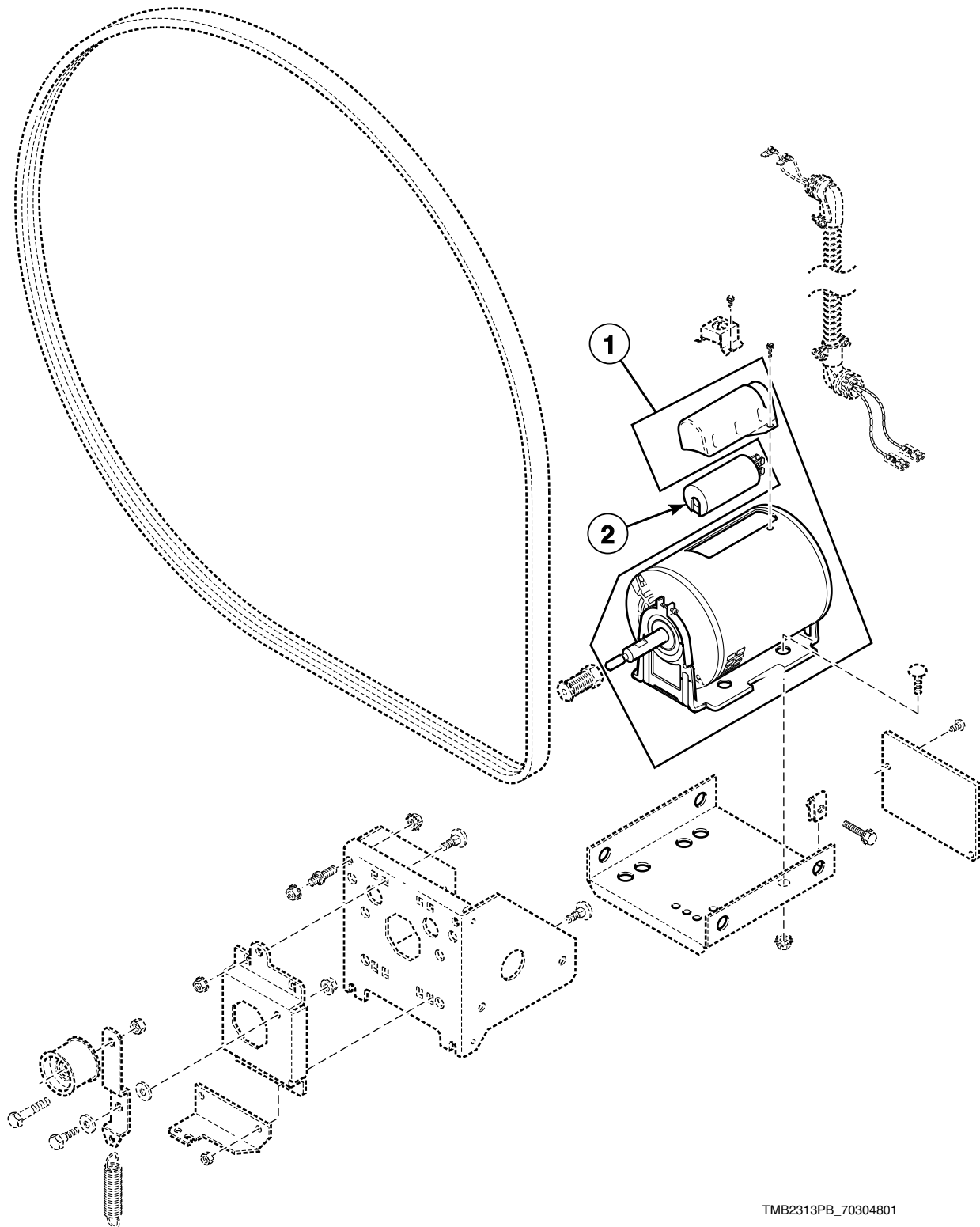


TMB3085P_70304801

Drive Motor Components

REF	PART NO.	DESCRIPTION	COMMENTS
	M4853P3	Belt Tension Tool Kit	
1	70276201P	Belt	T30 models
	70276204P	Belt	T45 models
2	70316701P	Cylinder Motor Harness	Models through 2/28/10; 1 Phase models; 3 Phase electric models with 240 Volt and below
	70316801P	Cylinder Motor Harness	Models through 2/28/10; 3 Phase models except electric models with 240 Volt and below
	70439901	Cylinder Motor Harness	Models starting 3/1/10; 1 Phase models; 3 Phase electric models with 240 Volt and below
	70440301	Cylinder Motor Harness	Models starting 3/1/10; 3 Phase models except electric models with 240 Volt and below
3	23222	Screw	
4	70321701	Motor Conduit Mounting Bracket	
5	70062401	Bolt	
6	430497	Screw	
7	70202501	Drive Access Cover	
8	27222	Nut	4 required
9	M412985	Screw	
10	70127301	Motor Mount Bracket	T30 models
	70312001	Motor Mount Bracket	T45 models
11	M412986	Nut	
12	70261701	Motor Channel	
13	29796	Nut	
14	70443301	Idler Bracket	
15	70270301	Washer	
16	70045301	Drum Idler Spring	With silencer
17	70265901	Washer	
18	M400056	Screw	
19	430648	Screw	
20	70050401P	Idler Wheel Assembly	
21	70259901	Cylinder Idler Arm	
22	56156	Nut	
23	70334701	Double Ended Stud	
24	70284203	Motor Pulley	T30 models; 50 Hertz
	70284201	Motor Pulley	T30 models; 60 Hertz
	70284204	Motor Pulley	T45 models; 50 Hertz
	70284208	Motor Pulley	T45 models; 60 Hertz

Drive Motors and Motor Capacitors

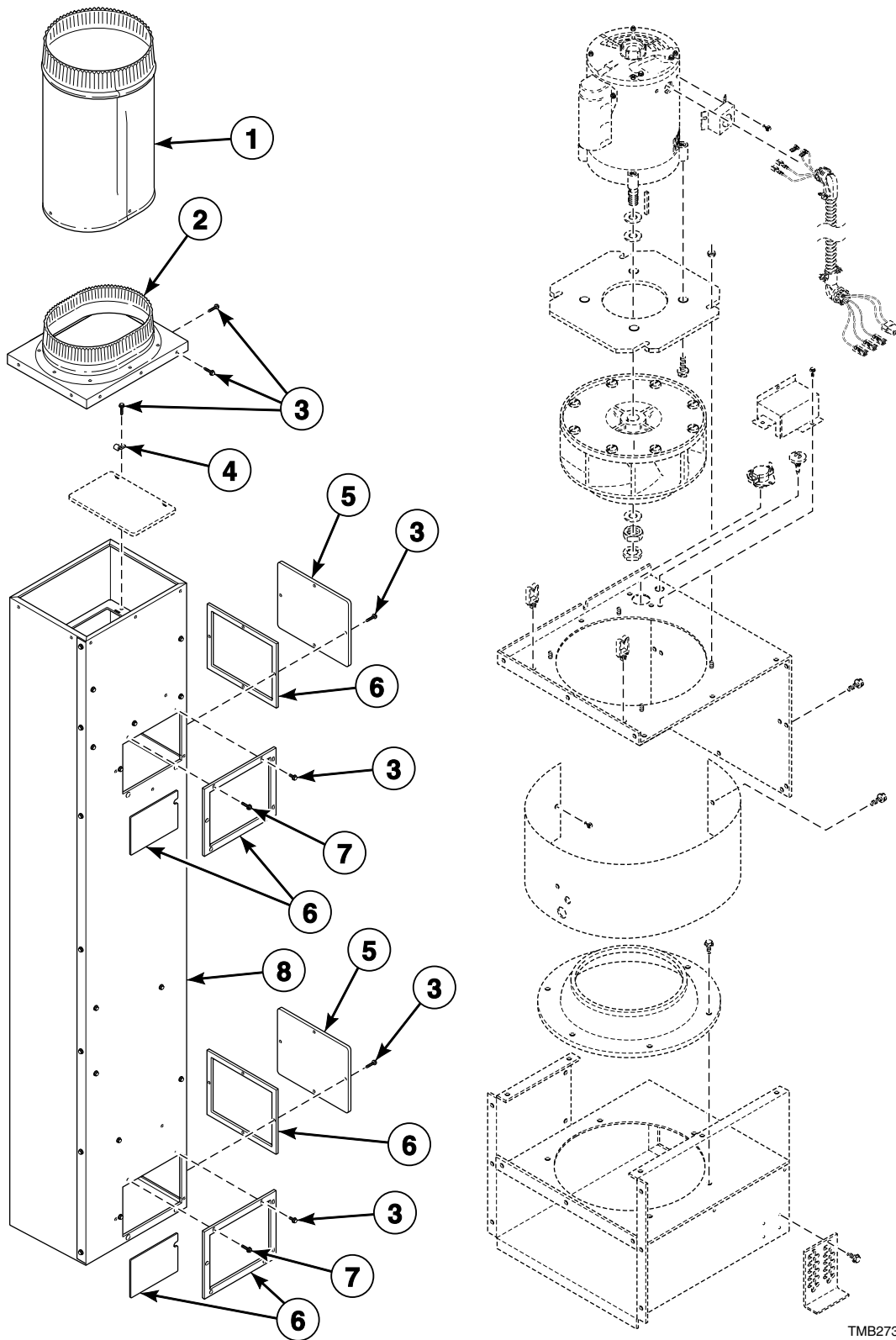


TMB2313PB_70304801

Drive Motors and Motor Capacitors

REF	PART NO.	DESCRIPTION	COMMENTS
1	70337901P	Drive Motor Kit	T30 models; 120-240 Volt/60 Hertz/1 Phase; Low Amp
	70338001P	Drive Motor Kit	T30 models; 230-240 Volt/50 Hertz/1 Phase; No run capacitor
	70338101P	Drive Motor	T30 models; 200-480 Volt/60 Hertz/3 Phase and 200-415 Volt/50 Hertz/3 Phase; No capacitors
	70392901P	Drive Motor	T45 models; 100-120 or 208-240 Volt/60 Hertz/1 Phase
	70298401P	Drive Motor	T45 models; 200-240 Volt/60 Hertz/3 Phase; No capacitors
	70401501	Drive Motor	T45 models; 100 or 200 Volt/50 Hertz/1 Phase; No run capacitor
	70401601	Drive Motor	T45 models; 230-240 Volt/50 Hertz/1 Phase; No run capacitor
	70401701	Drive Motor	T45 models; 380 Volt/50 Hertz/3 Phase; No capacitors
	70401801	Drive Motor	T45 models; 400-415 Volt/50 Hertz/3 Phase; No capacitors
	2	70211502	Motor Capacitor
70211401		Motor Capacitor	T30 models; Run; For 70337901 Drive Motor on 20 Amp models
M410296		Motor Capacitor	T30 models; Start; For 70338001P Drive Motor Kit
70413101		Motor Capacitor	T45 models; Start; For 70392901P Drive Motor
70413201		Motor Capacitor	T45 models; Run; For 70392901P Drive Motor
70435702		Motor Capacitor	T45 models; Start; For 70401501 Drive Motor
70435701		Motor Capacitor	T45 models; Start; For 70401601 Drive Motor

Exhaust Components

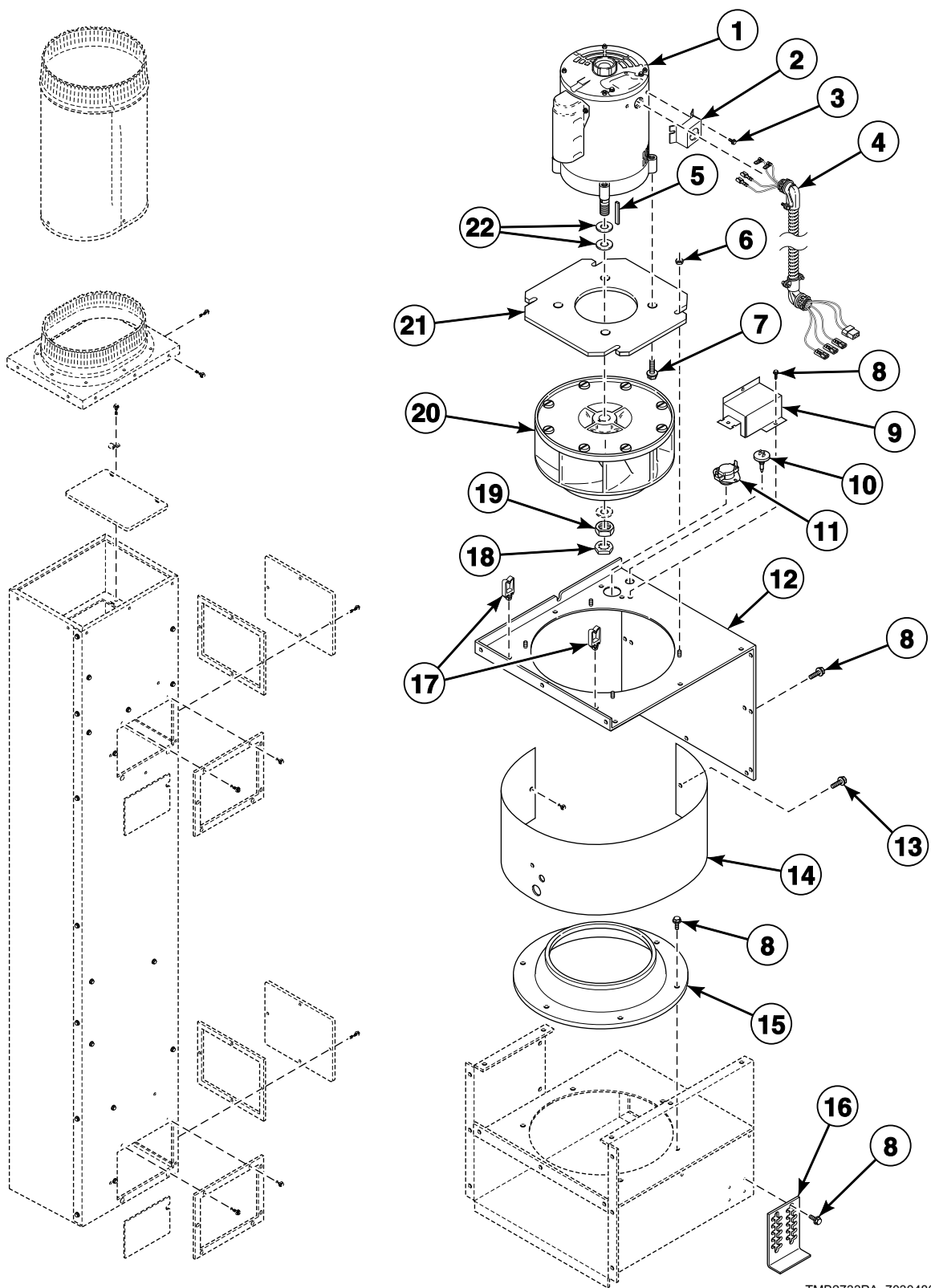


TMB2733P_70304801

Exhaust Components

REF	PART NO.	DESCRIPTION	COMMENTS
	70289101P	Lint Panel Gasket	Sold per foot
1	70425801	Exhaust Pipe Assembly	T45 CE models
	44154301	Exhaust Pipe	T30 CE models
2	70207501	Duct Cover	T30 models
	70307601	Duct Cover	T45 models
3	430497	Screw	12 required
4	70226701	Clip	
5	70340301	Duct Access Cover	T30 models; 2 required
	70308701	Duct Access Cover	T45 models
6	70340401	Exhaust Duct Gaskets Assembly	T30 models; 2 required
	70302801P	Exhaust Duct Gaskets Assembly	T45 models; 2 required
7	M411072	Screw	2 required
8	70340502	Exhaust Duct Assembly	T30 CE models; Includes cap, dampers and gaskets; Order blower housing scroll separately
	70340501	Exhaust Duct Assembly	All other T30 models; Includes cap, dampers and gaskets; Order blower housing scroll separately
	70311902	Exhaust Duct Assembly	T45 CE models; Includes cap, dampers and gaskets; Order blower housing scroll separately
	70311901	Exhaust Duct Assembly	All other T45 models; Includes cap, dampers and gaskets; Order blower housing scroll separately

Blower Components

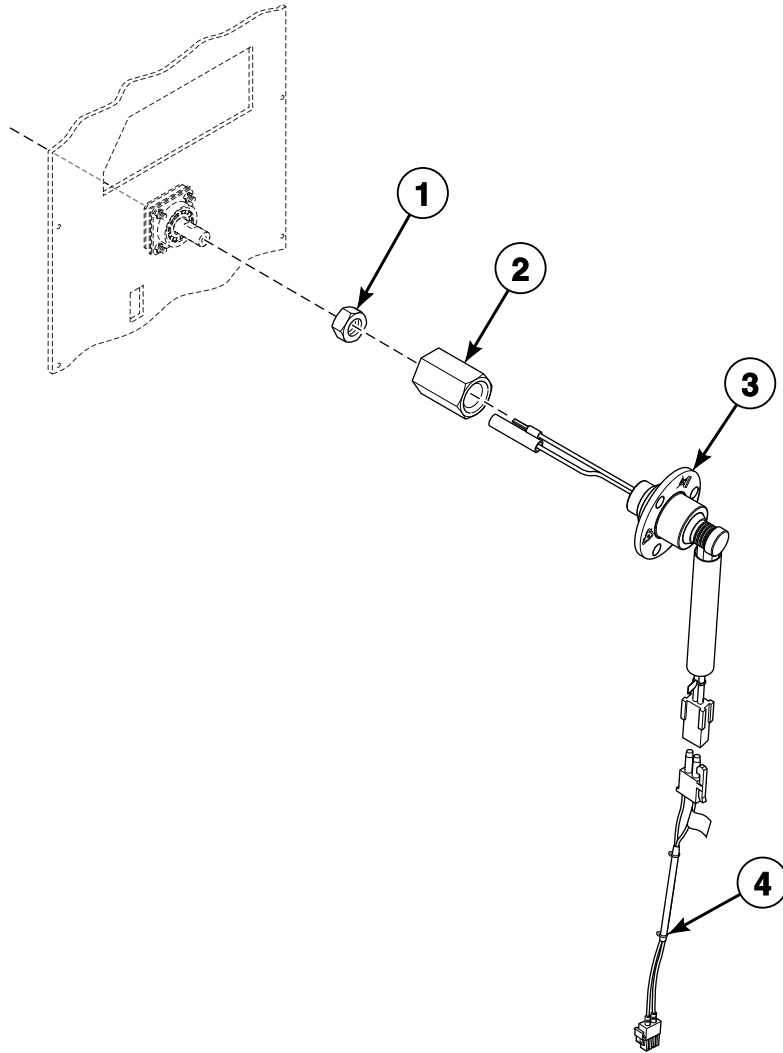


TMB2733PA_70304801

Blower Components

REF	PART NO.	DESCRIPTION	COMMENTS
	70392701P	Gasket	For blower housing opening
1	70337601P	Blower Motor Kit	T30 models; 120-240 Volt/60 Hertz/1 Phase; Low Amp
	70337701P	Blower Motor Kit	T30 models; 230-240 Volt/50 Hertz/1 Phase
	70342601P	Blower Motor	200-480 Volt/60 Hertz/3 Phase and 200-415 Volt/50 Hertz/3 Phase
	70297901P	Blower Motor	T45 models; 100-120 or 208-240 Volt/60 Hertz/1 Phase
	70401401	Blower Motor	T45 models; 100 or 200 Volt/50 Hertz/1 Phase
2	70321701	Motor Conduit Mounting Bracket	
3	23222	Screw	
4	70440001P	Fan Motor Harness	1 Phase models; 3 Phase electric models with 240 Volt and below
	70317001	Fan Motor Harness	Models through 2/28/10; 3 Phase models except electric models with 240 Volt and below
	70440401	Fan Motor Harness	Models starting 3/1/10; 3 Phase models except electric models with 240 Volt and below
5	70144101	Key	
6	29786	Nut	4 required
7	70126101	Screw	4 required
8	430497	Screw	12 required
9	70346301	Thermistor Cover	
10	M414704	Thermistor	
11	M411307	Limit Thermostat	Auto reset
12	70341401	Blower Housing Cover Assembly	T30 models
	70322801	Blower Housing Cover Assembly	T45 models
13	51780	Screw	
14	70340801	Blower Housing Scroll	T30 models
	70303201	Blower Housing Scroll	T45 models
15	70014101	Blower Inlet Cone	T30 models
	70303101	Blower Inlet Cone	T45 models
16	70200301	Rear Stabilizer Bracket	
17	70366201	Wire Clip	2 required
18	M400034	Nut	
19	M400022	Nut	
20	70359801P	Blower Assembly	T30 models
	70302201P	Blower Assembly	T45 models
21	70341001	Blower Motor Mounting Plate	T30 models
	70303401	Blower Motor Mounting Plate	T45 models
22	M400991	Washer	3 required

Moisture Sensing Components

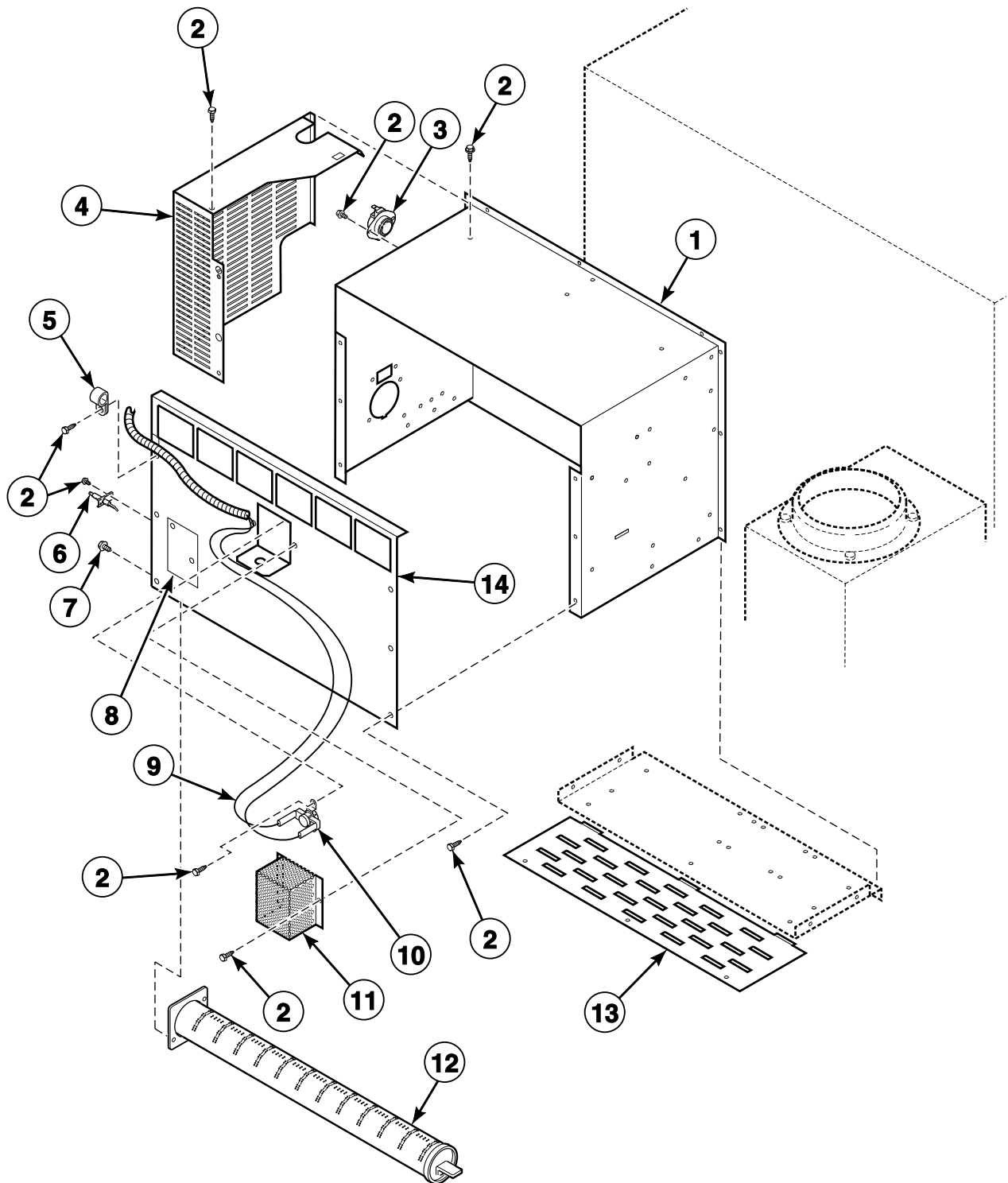


TMB3147P_70304801

Moisture Sensing Components

REF	PART NO.	DESCRIPTION	COMMENTS
1	M400035	Nut	
2	44224401	Slip Ring Holder	
3	44240201	Slip Ring Assembly	
4	70448901	Moisture Sensor Harness Assembly	

Gas Burner Housing and Secondary Stove Limit

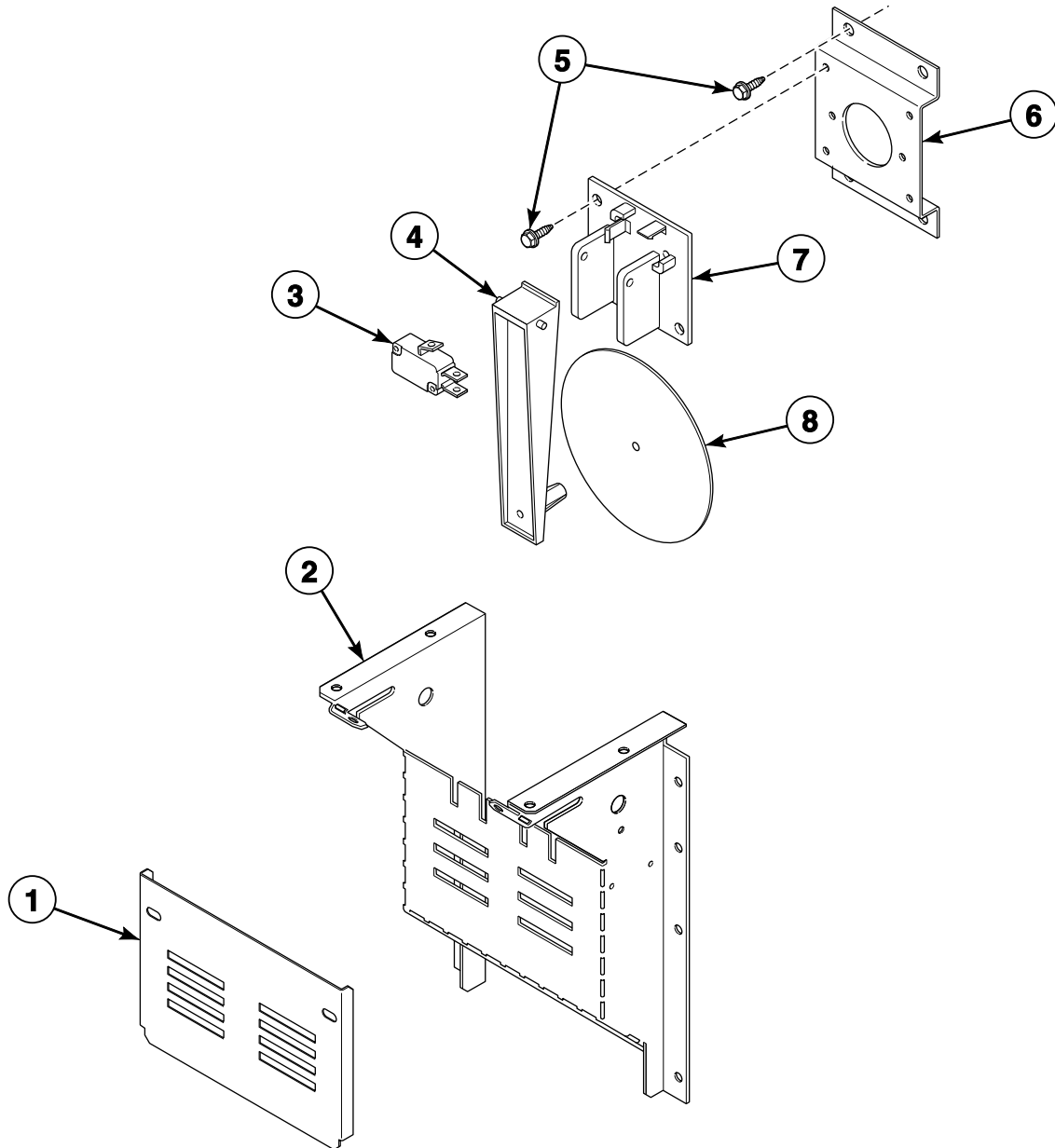


TMB2315P_70304801

Gas Burner Housing and Secondary Stove Limit

REF	PART NO.	DESCRIPTION	COMMENTS
	70316501	Stove Limit Harness	
	M4903P3	Stove Limits Kit	T30 Australian models; Models through Serial No. 0311000078; In addition, order 70299101 Secondary Stove Limit Kit
1	70333401	Stove Top and Sides	T30 models
	70306001	Stove Top and Sides	T45 models
2	430497	Screw	
3	M409219	Limit Thermostat	Non-CE models
	70397101	Manual Reset Thermostat	Australian models
4	70233401	Gas Valve Cover	T30 Australian and CE models
	70425001	Gas Valve Cover	T45 Australian and CE models
5	70203701	Pipe Clip	
6	70032801P	Spark Electrode	
7	05161	Screw	
8	70159601	Igniter Cover	
9	70316501	Stove Limit Harness	
10	70299001	Limit Thermostat	
11	M414477	Thermostat Cover	
12	70229801P	Gas Burner	
13	70188801	Burner Grill	T30 models
	70306501	Burner Grill	T45 models
14	70371501	Stove Back	T30 models
	70375201	Stove Back	T45 models

Airflow Switch

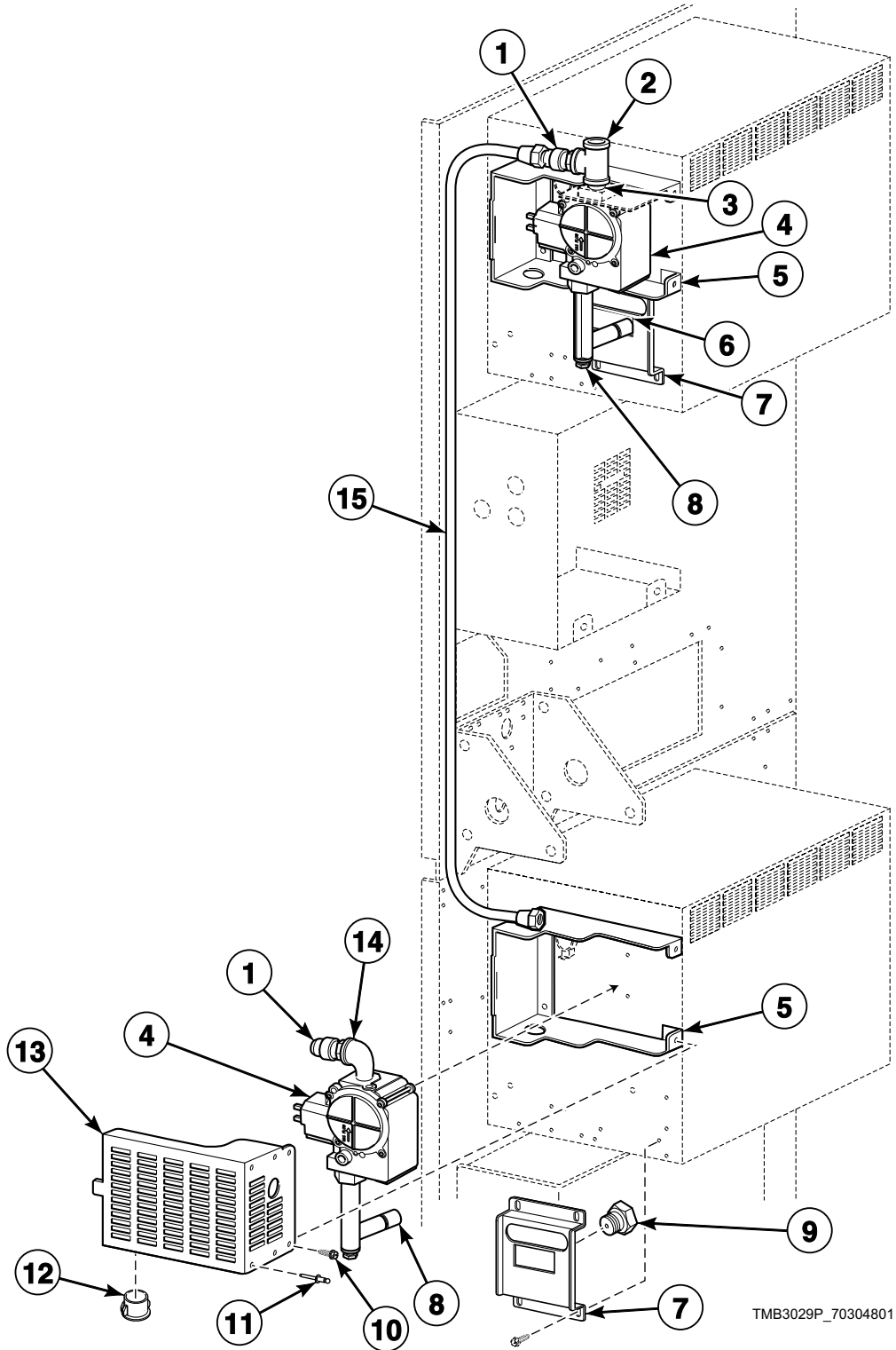


TMB3126P_70304801

Airflow Switch

REF	PART NO.	DESCRIPTION	COMMENTS
1	70356601	Airflow Switch Cover	Non-moisture sensing
	70465701	Airflow Switch Cover	Moisture sensing
2	70356101	Airflow Switch Wrapper	
3	70411901	Switch	
4	70319401	Airflow Switch Arm	
5	430497	Screw	
6	70356301	Switch Bracket	
7	70319601	Airflow Switch and Arm Bracket	
8	70319201	Airflow Switch Vane	

Gas Valve and Piping - Non-CE and Non-Australian Gas Models

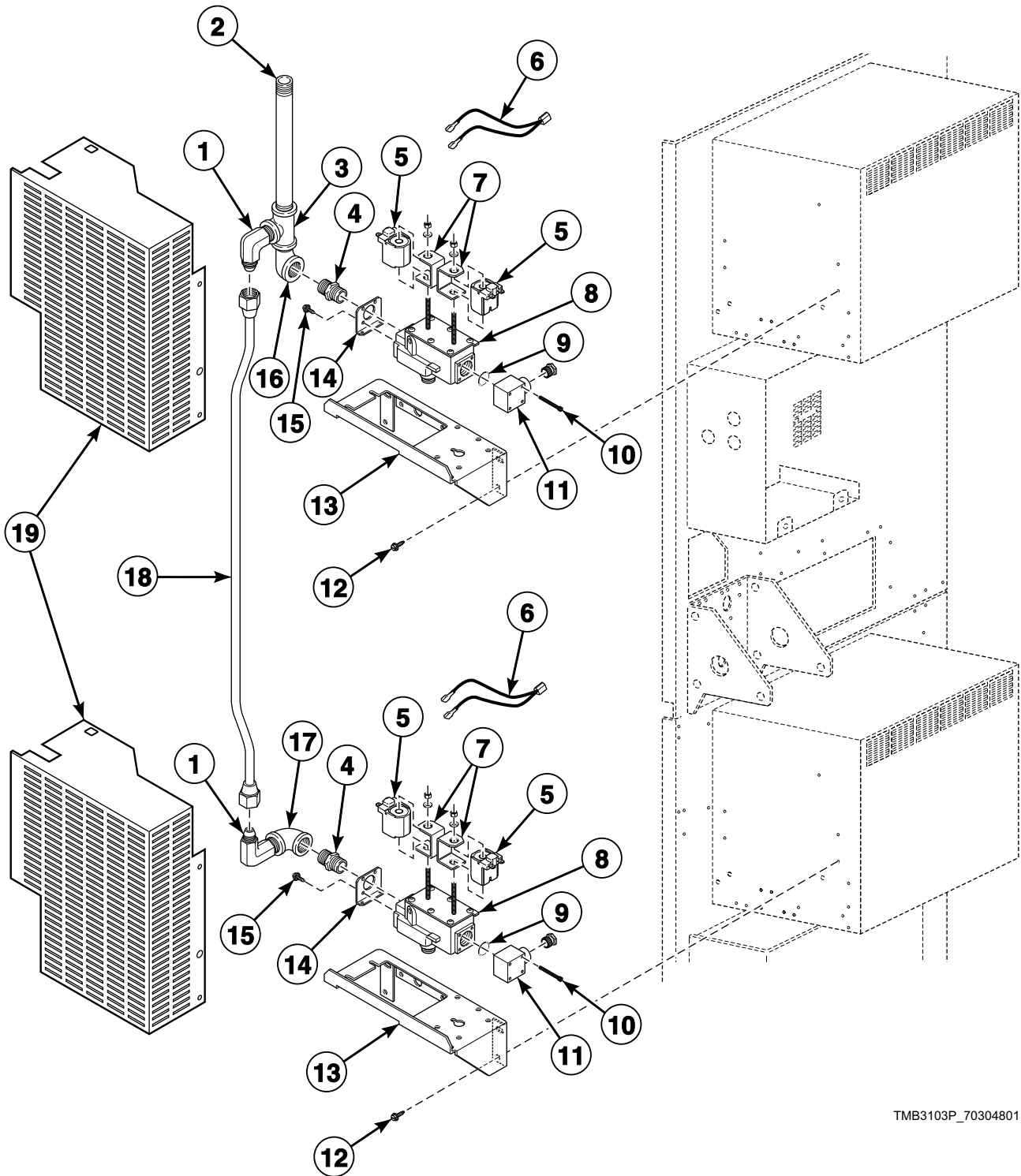


Gas Valve and Piping - Non-CE and Non-Australian Gas Models

REF	PART NO.	DESCRIPTION	COMMENTS
	M4970P3	Replacement Gas Valve Kit	Natural Gas (N.G.); Use to replace old valve before 12/15/09 with new valve
	M4972P3	Replacement Gas Valve Kit	Liquid Petroleum Gas (L.P.); Use to replace old valve before 12/15/09 with new valve
	M4707P3	L.P. Conversion Kit	T30 models; 0-2,000 feet
	M4880P3	L.P. Conversion Kit	T45 models; 0-2,000 feet
	M413650	Gas Valve Harness Assembly	
	M412997	Harness Assembly	
1	70262601	Pipe	
2	70267501	Pipe Tee	Models through 1/31/10
	70071801	Tee	Models starting 2/1/10
3	431486	Pipe Nipple	
4	44154501P	Gas Valve	N.G.
	44154502P	Gas Valve	L.P.
5	70328201	Forward Valve Cover	
6	70249001	Orifice Keeper Bracket	
7	70248901	Orifice Holder Bracket	
8	70435901	Orifice Adapter	
9	M406361	Burner Orifice	T30 models; L.P.; 0-2,000 feet; Drill no. 40 (2.5 mm)
	M403017	Burner Orifice	T30 models; L.P.; 2,001-6,000 feet; Drill no. 42 (2.4 mm)
	M406184	Burner Orifice	T30 models; L.P.; 6,001-8,000 feet; Drill no. 43 (2.3 mm)
	M401011	Burner Orifice	T30 models; L.P.; 8,001-10,000 feet; Drill no. 44 (2.2 mm)
	M401002	Burner Orifice	T30 models; N.G.; 0-2,000 feet; Drill no. 20 (4.1 mm)
	M402996	Burner Orifice	T30 models; N.G.; 2,001-4,000 feet; Drill no. 22 (4.0 mm)
	M402980	Burner Orifice	T30 models; N.G.; 4,001-6,000 feet; Drill no. 24 (3.9 mm)
	M401000	Burner Orifice	T30 models; N.G.; 6,001-8,000 feet; Drill no. 26 (3.7 mm)
	M401014	Burner Orifice	T30 models; N.G.; 8,001-10,000 feet; Drill no. 28 (3.6 mm)
	M411512	Burner Orifice	T45 models; L.P.; 0-2,000 feet; Drill no. 34 (2.8 mm)
	M411375	Burner Orifice	T45 models; L.P.; 2,001-6,000 feet; Drill no. 36 (2.7 mm)
	M411376	Burner Orifice	T45 models; L.P.; 6,001-8,000 feet; Drill no. 38 (2.6 mm)
	M406361	Burner Orifice	T45 models; L.P.; 8,001-10,000 feet; Drill no. 40 (2.5 mm)
	M411510	Burner Orifice	T45 models; N.G.; 0-2,000 feet; Drill no. 13 (4.7 mm)
	M411511	Burner Orifice	T45 models; N.G.; 2,001-4,000 feet; Drill no. 15 (4.6 mm)
	M411373	Burner Orifice	T45 models; N.G.; 4,001-6,000 feet; Drill no. 16 (4.5 mm)
	M402988	Burner Orifice	T45 models; N.G.; 6,001-8,000 feet; Drill no. 18 (4.3 mm)
	M401002	Burner Orifice	T45 models; N.G.; 8,001-10,000 feet; Drill no. 20 (4.1 mm)
	M401007	Burner Orifice	50 Hertz; Models HTT45D and STT45D; Drill no. 39 (2.5 mm)
	N/A	Burner Orifice	60 Hertz; Models HTT45D and STT45D; Drill no. 37 (2.6 mm)
	10	430497	Screw
11	70058501	Pop Rivet	3/16 inch
12	M400770	Snap Bushing	
13	70282401	Rear Valve Cover	
14	H86070034	Street Elbow	
15	70281601	Tube	T30 models
	70281602	Tube	T45 models

N/A = Part no longer available

Gas Valve and Piping - T30 CE and Australian Gas Models



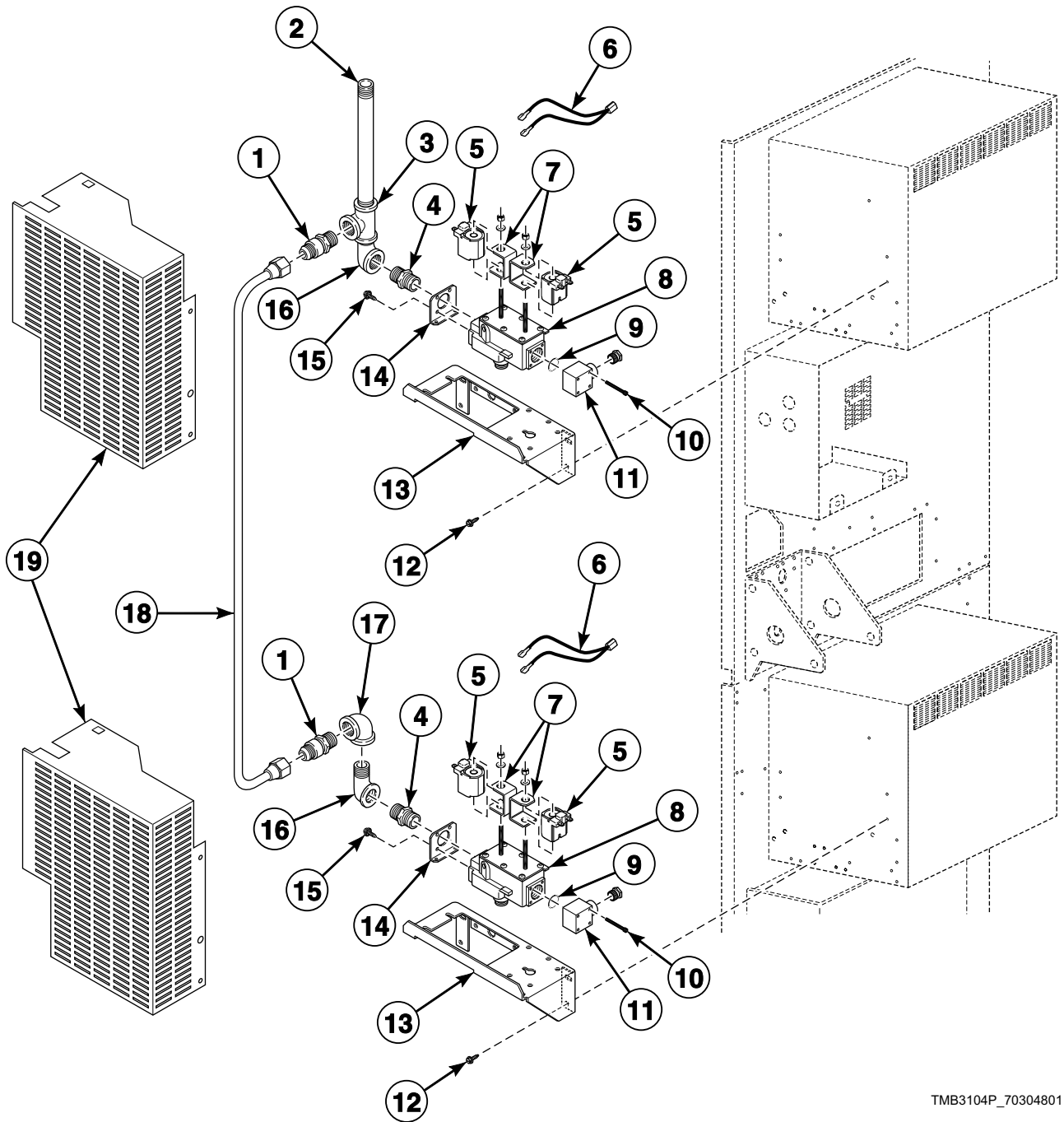
TMB3103P_70304801

Gas Valve and Piping - T30 CE and Australian Gas Models

REF	PART NO.	DESCRIPTION	COMMENTS
	M4733P3	N.G. Valve Conversion Kit	Regulated; Liquid Petroleum Gas (L.P.) to Natural Gas (N.G.)
	M4734P3	L.P. Valve Conversion Kit	Unregulated; N.G. to L.P.
	M4746P3	Valve Bracket and Cover Kit	Includes items 13 and 19
	M412997	Harness Assembly	
1	70208701	Elbow	
2	70210201	Pipe Nipple	
3	70071801	Tee	
4	70131901	Adapter	
5	70260101	Gas Valve Coil	24 Volt
6	M413650	Gas Valve Harness Assembly	
7	70260601	Valve Coil Bracket	
8	70457301P	N.G. Valve	
	70457302P	L.P. Valve	
9	431482	O-Ring	
10	431484	Screw	
11	70223501	Spud Adapter	
12	430497	Screw	
13	70233301	Gas Valve Bracket	
14	70457701	Valve Support Bracket	
15	23222	Screw	8 required
16	H86070034	Street Elbow	
17	70079601	Elbow	
18	70281603	Tube	
19	70233401	Gas Valve Cover	

NOTE: For CE gas and orifice information, refer to installation manual.

Gas Valve and Piping - T45 CE and Australian Gas Models



TMB3104P_70304801

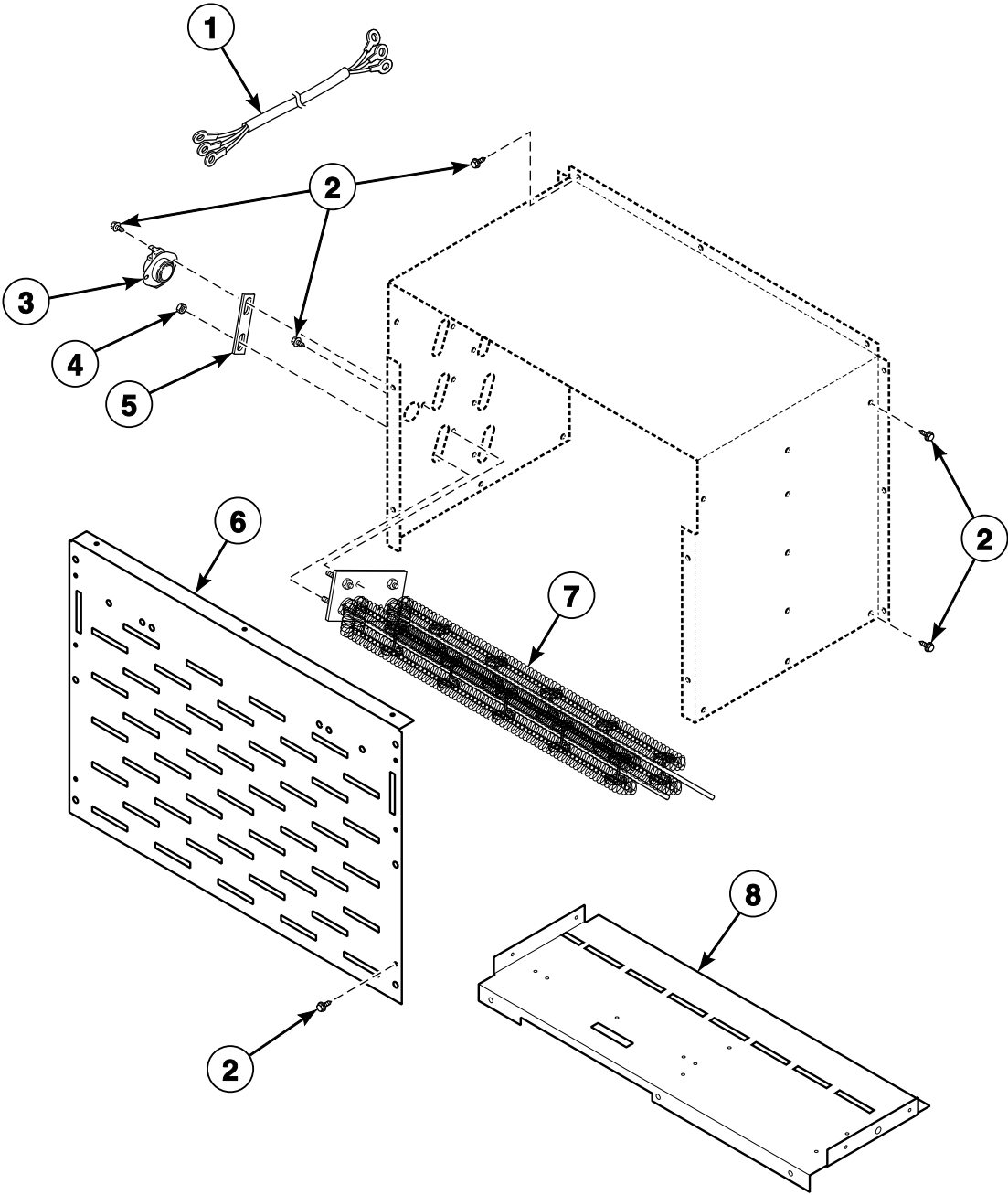
Gas Valve and Piping - T45 CE and Australian Gas Models

REF	PART NO.	DESCRIPTION	COMMENTS
	M4733P3	N.G. Valve Conversion Kit	Regulated; Liquid Petroleum Gas (L.P.) to Natural Gas (N.G.)
	M4734P3	L.P. Valve Conversion Kit	Unregulated; N.G. to L.P.
	M4746P3	Valve Bracket and Cover Kit	Includes items 13 and 19
	M412997	Harness Assembly	
1	70262601	Pipe	
2	70139601	Pipe Nipple	
3	70071801	Tee	
4	70131901	Adapter	
5	70260101	Gas Valve Coil	24 Volt
6	M413650	Gas Valve Harness Assembly	
7	70260601	Valve Coil Bracket	
8	70457301P	N.G. Valve	
	70457302P	L.P. Valve	
9	431482	O-Ring	
10	431484	Screw	
11	70223501	Spud Adapter	
12	430497	Screw	
13	70233301	Gas Valve Bracket	
14	70457701	Valve Support Bracket	
15	23222	Screw	8 required
16	H86070034	Street Elbow	
17	70079601	Elbow	
18	70281603	Tube	
19	70233401	Gas Valve Cover	

NOTE: For CE gas and orifice information, refer to installation manual.

Electric Heater Components

T30 Electric Models



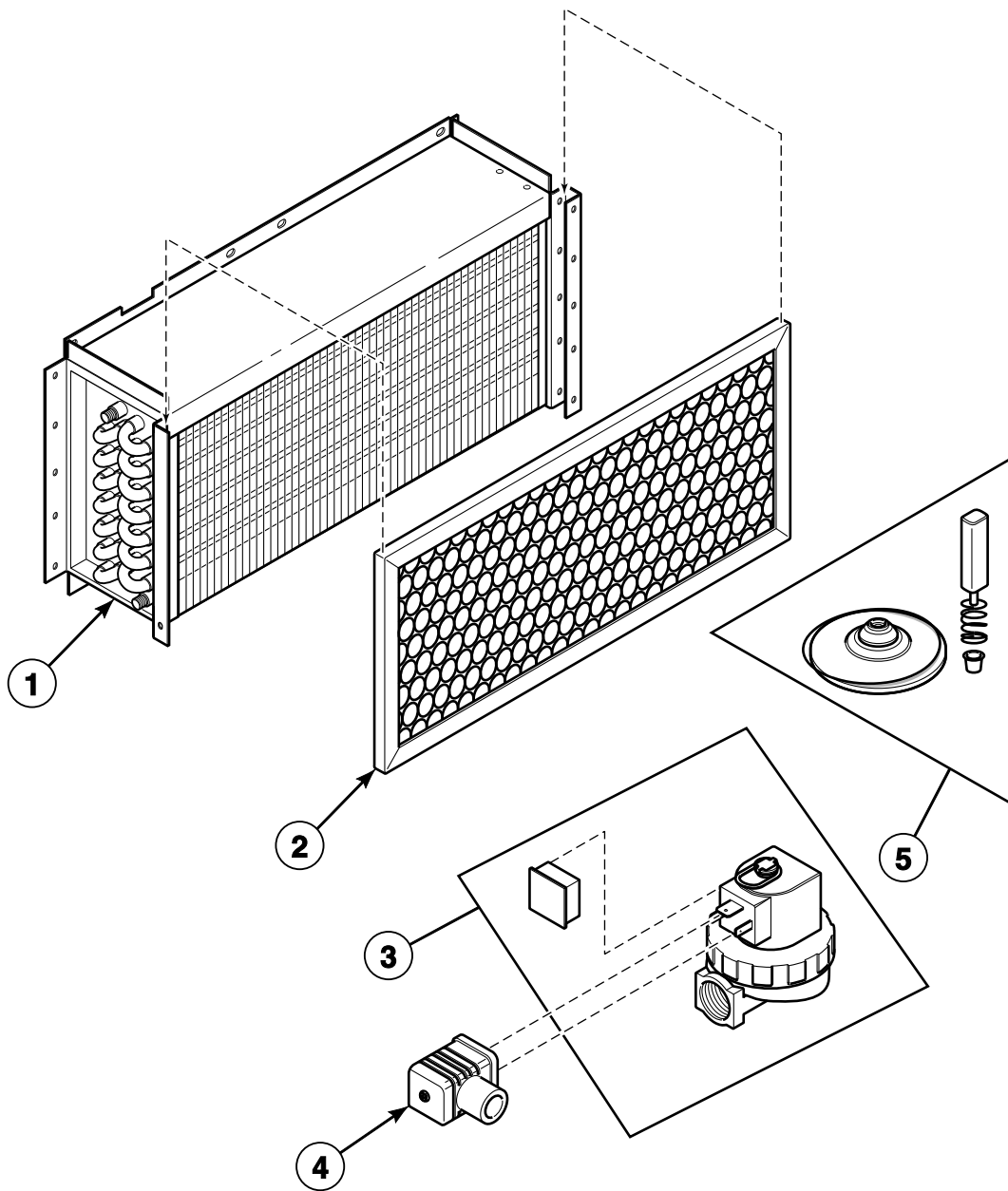
TMB3151P_70304801

Electric Heater Components

REF	PART NO.	DESCRIPTION	COMMENTS
1	70167901	Heater Cable Set Assembly	H1-H3
	70168001	Heater Cable Set Assembly	H4-H6; Models with 240 Volt and below
2	430497	Screw	
3	M410220	Limit Thermostat	
4	Q6163	Nut	
5	M400869	Jumper Strip	
6	70214901	Stove Grill	
7	70034401P	Heater Element	3 required; 7 kW; 208 Volt
	70034402P	Heater Element	3 required; 7 kW; 220 and 380 Volt
	70034403P	Heater Element	3 required; 7 kW; 230, 240, 415 and 480 Volt
8	70333501	Lower Stove Cover	

Steam Heater Components

T30 Steam Models

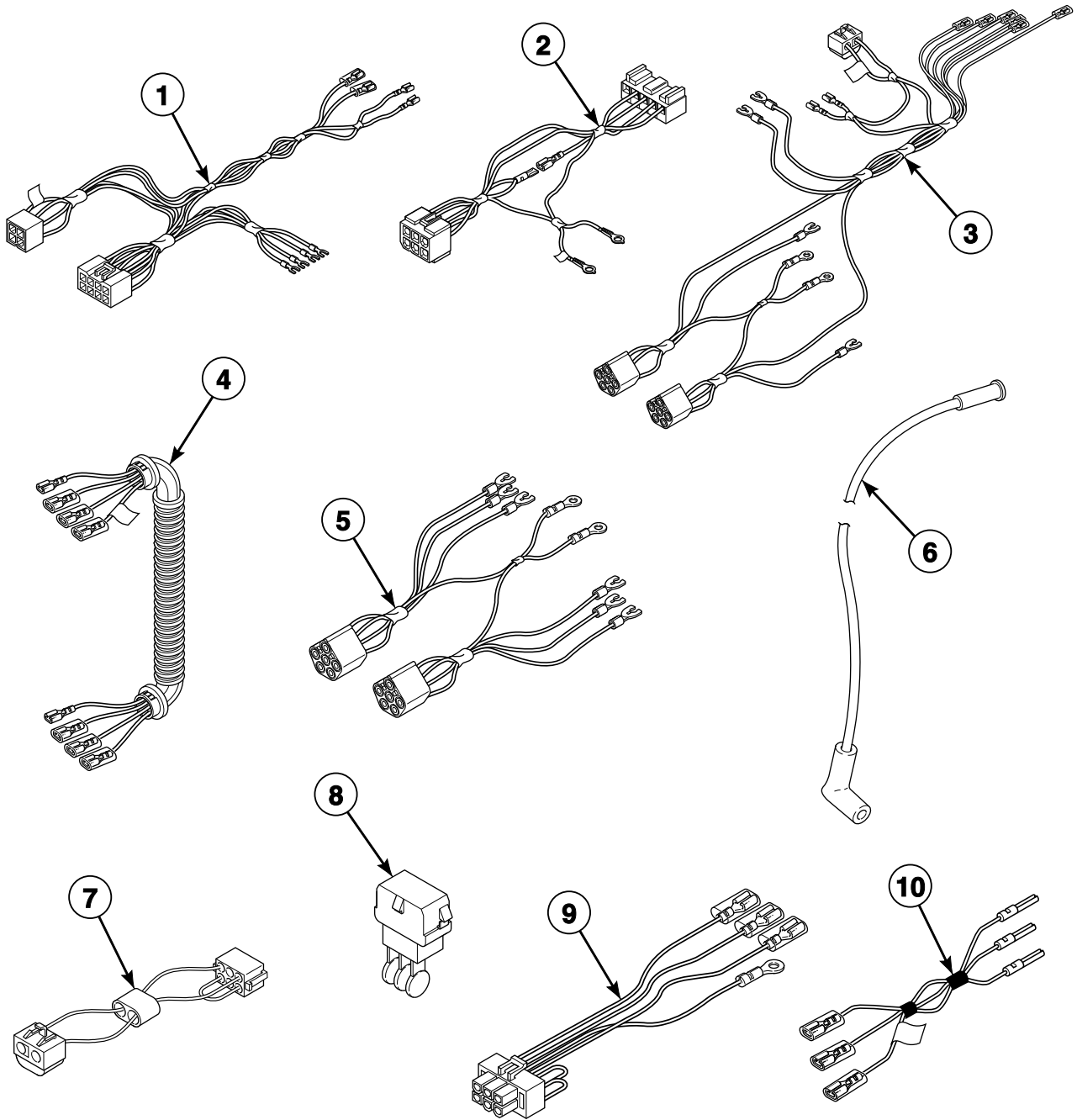


TMB3138P_70304801

Steam Heater Components

REF	PART NO.	DESCRIPTION	COMMENTS
	M412997	Harness Assembly	
1	70369101P	Steam Coil	4 coil
2	44172001	Filter	CE models
	70036001	Air Filter	All other models
3	70351001P	Steam Valve	Models through Serial No. 1009000099
	F8322902	Steam Valve	Models starting Serial No. 1009000100
	70205701P	Steam Valve Coil	60 Hertz
	M412258	Steam Valve Coil	50 Hertz
4	70370301P	Solenoid Valve DIN Connector	
5	70351021P	Steam Valve Rebuild Kit	Use to rebuild 70351001P Steam Valve
	F8379502	Valve Rebuild Kit	Use to rebuild F8322902 Steam Valve

Control Tray Harness - Gas Models

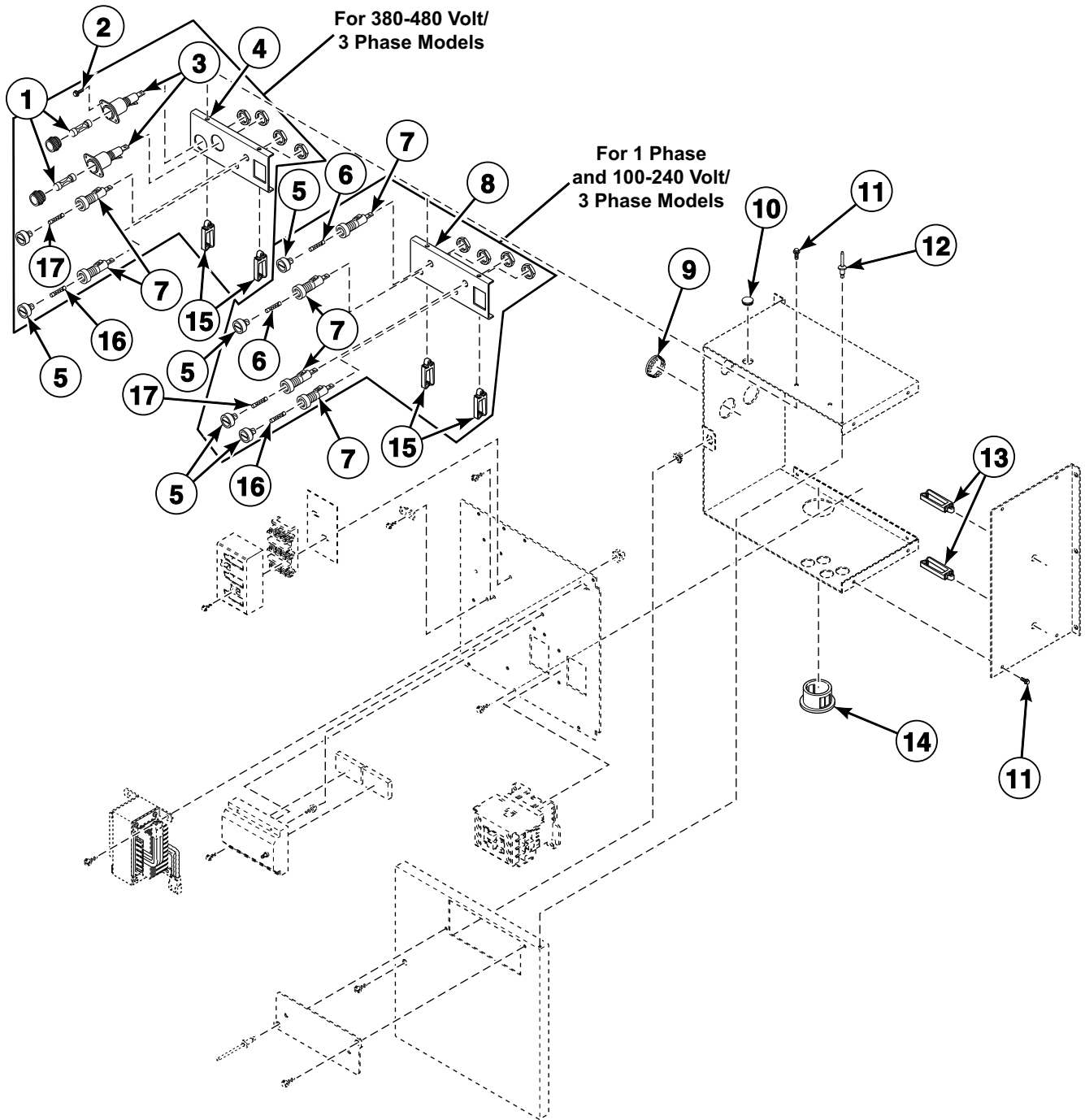


TMB3102P_70304801

Control Tray Harness - Gas Models

REF	PART NO.	DESCRIPTION	COMMENTS
1	70315801	Junction Box Harness	Dual secondary
2	44186701	Ignition Control Harness	Non-CE models
	44136601P	Ignition Control Harness	CE models
3	70347701P	Power Harness	Models through 2/28/10; Contactor; 1 Phase
	70316101P	Power Harness	Non-CE models through 2/28/10; 3 Phase models with less than 380 Volts
	70332201	Power Harness	Models through 2/28/10; 3 Phase models with 380 Volts or more
	70445501	Power Harness	Models starting 3/1/10; Contactor; 1 Phase
	70439001	Power Harness	Non-CE models starting 3/1/10; 3 Phase models with less than 380 Volts
	70438901	Power Harness	Models starting 3/1/10; 3 Phase models with 380 Volts or more
4	70316201	Power Harness	Models through 2/28/10; Upper pocket to lower pocket
	70439501	Power Harness	Models starting 3/1/10; Upper pocket to lower pocket
5	70320201	Motor Contactor Harness	Models through 2/28/10; 3 Phase
	44142601P	Motor Contactor Harness	Models starting 3/1/10; 3 Phase
6	70323601	High Voltage Lead	
7	M413505	Jumper Harness Assembly	Non-CE models; 208 Volt/60 Hertz/1 Phase and 240 Volt/60 Hertz/1 Phase
	M413507	Jumper Configuration Assembly	CE models; Non-CE models with 230-240 Volt/50 Hertz/1 Phase, 200-208, 240 Volt/60 Hertz/3 Phase and 230-240 Volt/50 Hertz/3 Phase models with less than 380 Volts
	M413506	Jumper Harness Assembly	Non-CE models; 100, 200, 220 Volt/60 Hertz/1 Phase, 100, 200 Volt/50 Hertz/1 Phase and 200 Volt/50 Hertz/3 Phase models with less than 380 Volts
	M413508	Jumper Harness Assembly	Non-CE models with 380, 400-415 Volt/50 Hertz/3 Phase models with 380 Volts or more; CE 3 Phase models with 380 Volts or more
	M413510	Jumper Configuration Assembly	Non-CE models; 460-480 Volt/60 Hertz/3 Phase models with 380 Volts or more
8	M413863	Network Capacitor Assembly	3O, 3V and 3X control suffixes
9	M413878	Capacitor Network Harness Assembly	3O, 3V and 3X control suffixes
10	70342101	Gas Disconnect Harness	CE models through 2/28/10; Upper pocket
	70440501	Gas Disconnect Harness	CE models starting 3/1/10; Upper pocket

Control Tray Components - Non-CE Gas Models (Drawing 1 of 2)

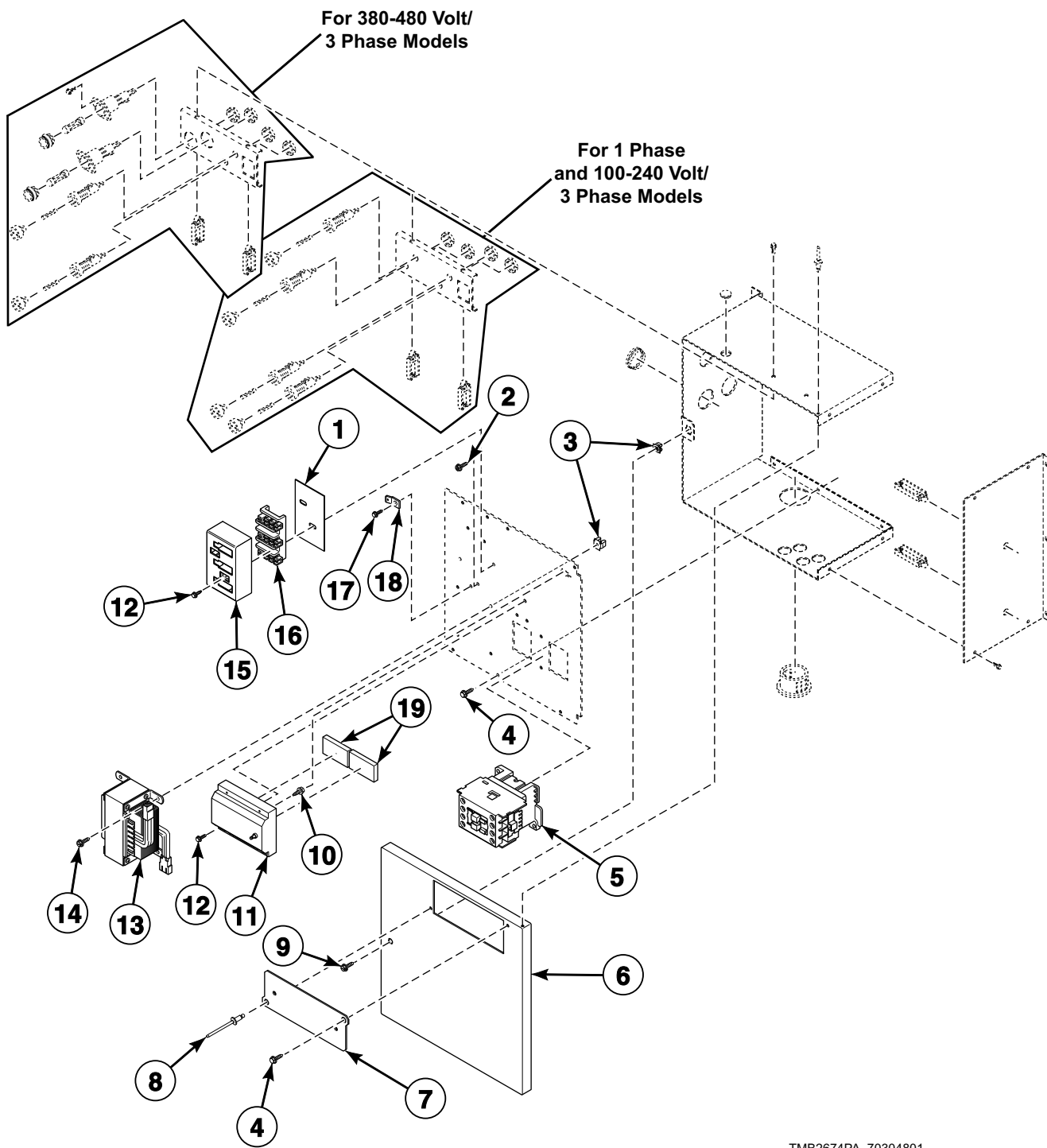


TMB2674P_70304801

Control Tray Components - Non-CE Gas Models (Drawing 1 of 2)

REF	PART NO.	DESCRIPTION	COMMENTS
1	M413621	Fuse	2 required; 3 Phase models with 380 Volts or more
2	501086	Screw	4 required; 3 Phase models with 380 Volts or more
3	M413544P	Fuse Holder	2 required; 3 Phase models with 380 Volts or more; Models through 2/28/10
	44155601	Fuse Holder	2 required; 3 Phase models with 380 Volts or more; Models starting 3/1/10
4	70313601	Fuse Bracket	3 Phase models with 380 Volts or more; Models through 2/28/10
	70313602	Fuse Bracket	3 Phase models with 380 Volts or more; Models starting 3/1/10
5	70329501	Fuse Holder Cap	3 required 1 Phase models; 4 required 3 Phase models with less than 380 Volts; 2 required 3 Phase models with 380 Volts or more
6	70406701	Fuse	1 required for 1 Phase; 2 required for 3 Phase models with less than 380 Volts; 2 Amp
7	70329401P	Fuse Holder Body	3 required 1 Phase models; 4 required 3 Phase models with less than 380 Volts; 2 required 3 Phase models with 380 Volts or more
8	70306901	Fuse Bracket	1 Phase and 3 Phase models with less than 380 Volts
9	M400985	Plug	2 required
10	M406124	Bushing	
11	51780	Screw	11 required
12	70058502	Pop Rivet	2 required
13	36274	Wire Clip	3 required
14	M402542	Snap Bushing	
15	70347601	Wire Clip	2 required
16	70406601	Fuse	3.5 Amp
17	70406501	Fuse	1.25 Amp

Control Tray Components - Non-CE Gas Models (Drawing 2 of 2)

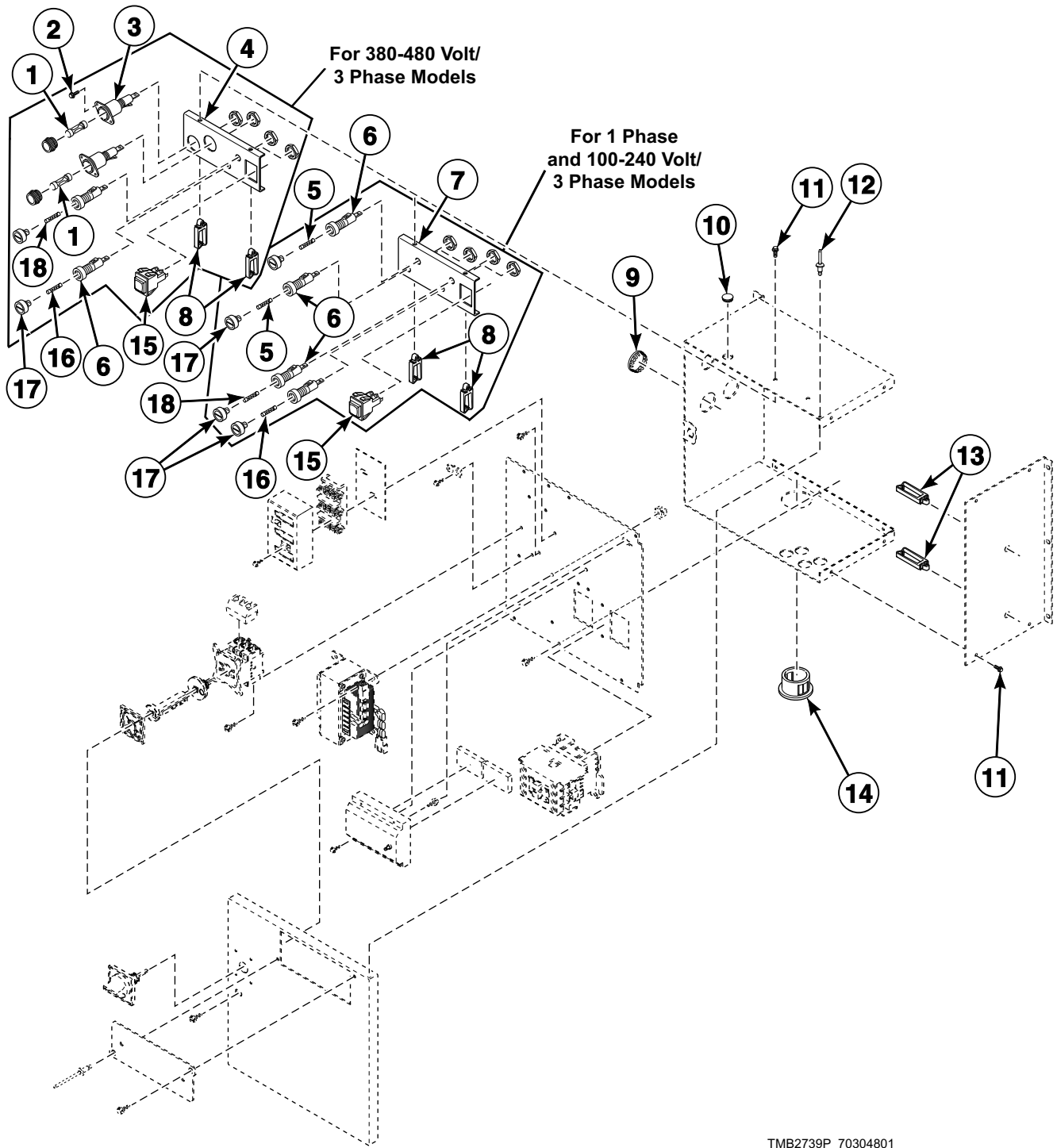


TMB2674PA_70304801

Control Tray Components - Non-CE Gas Models (Drawing 2 of 2)

REF	PART NO.	DESCRIPTION	COMMENTS
1	M413862	Insulator	
2	M402917	Screw	
3	70030501	Expansion Clip	5 required
4	51780	Screw	11 required
5	70323701P	Contacto	24 Volt
6	70313401	Contacto Box Cover	
7	70313301	Fuse Cover	
8	70058501	Pop Rivet	
9	33562	Screw	
10	38272	Screw	
11	70367301P	Ignition Control	
12	44083001	Screw	3 required
13	M414228P	Transformer	Multitap; 100, 200, 220 Volt/60 Hertz/1 Phase, 100, 200 Volt/50 Hertz/1 Phase and 230-240 Volt/50 Hertz/1 Phase models with 3O, 3V, 3X, LC, LX, LY, NC, NJ, NR, NX, NY, WC, WX, WY, ZC, ZR, ZX and ZY control suffixes; 3 Phase models with less than 380 Volts
	M414230P	Transformer	208-240 Volt/60 Hertz/1 Phase models with QT and SD control suffixes; 120, 208-240 Volt/60 Hertz/1 Phase models QT and SD control suffixes
	M414312P	Transformer	208-240 Volt/60 Hertz/1 Phase 3O, 3V, 3X, BC, BG, BL, BX, BY, LC, LX, LY, NC, NJ, NR, NX, NY, WC, WX, WY, ZC, ZR, ZX and ZY control suffixes
	M414229P	Transformer	Multitap; 3 Phase models with 380 Volts or more
14	M411072	Screw	4 required
15	70333001	Terminal Block Shield	
16	430642	Terminal Block	
17	430497	Screw	
18	00177	Male Tab Terminal	Ground
19	56128	Bumper Pad	2 required

Control Tray Components - CE Gas Models (Drawing 1 of 2)

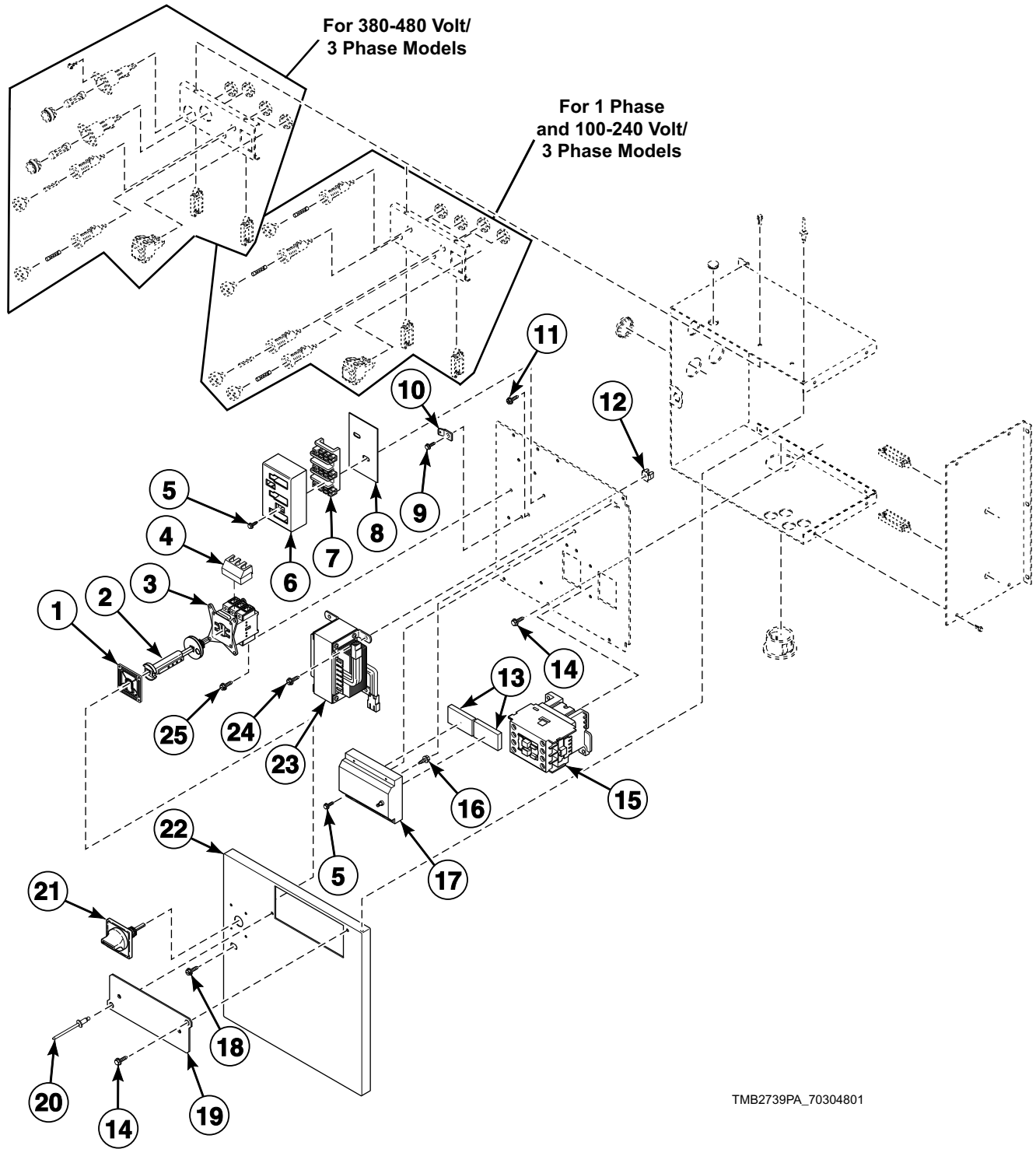


TMB2739P_70304801

Control Tray Components - CE Gas Models (Drawing 1 of 2)

REF	PART NO.	DESCRIPTION	COMMENTS
1	M413621	Fuse	2 required for 3 Phase models with 380 Volts or more
2	501086	Screw	3 Phase models with 380 Volts or more
3	M413544P	Fuse Holder	2 required for 3 Phase models with 380 Volts or more; Models through 2/28/10
	44155601	Fuse Holder	2 required for 3 Phase models with 380 Volts or more; Models starting 3/1/10
4	70313601	Fuse Bracket	3 Phase models with 380 Volts or more; Models through 2/28/10
	70313602	Fuse Bracket	3 Phase models with 380 Volts or more; Models starting 3/1/10
5	70406701	Fuse	1 required 1 Phase models; 2 required 3 Phase models with less than 380 Volts; 2 Amp
6	70329401P	Fuse Holder Body	3 required 1 Phase models; 4 required 3 Phase models with less than 380 Volts; 2 required 3 Phase models with 380 Volts or more
7	70306901	Fuse Bracket	1 Phase and 3 Phase models with less than 380 Volts
8	70347601	Wire Clip	2 required
9	M400985	Plug	2 required
10	M406124	Bushing	
11	51780	Screw	11 required
12	70058502	Pop Rivet	2 required
13	36274	Wire Clip	3 required
14	M402542	Snap Bushing	
15	M413431	Pushbutton Switch	
16	70406601	Fuse	3.5 Amp
17	70329501	Fuse Holder Cap	3 required 1 Phase models; 4 required 3 Phase models with less than 380 Volts; 2 required 3 Phase models with 380 Volts or more
18	70406501	Fuse	1.25 Amp

Control Tray Components - CE Gas Models (Drawing 2 of 2)

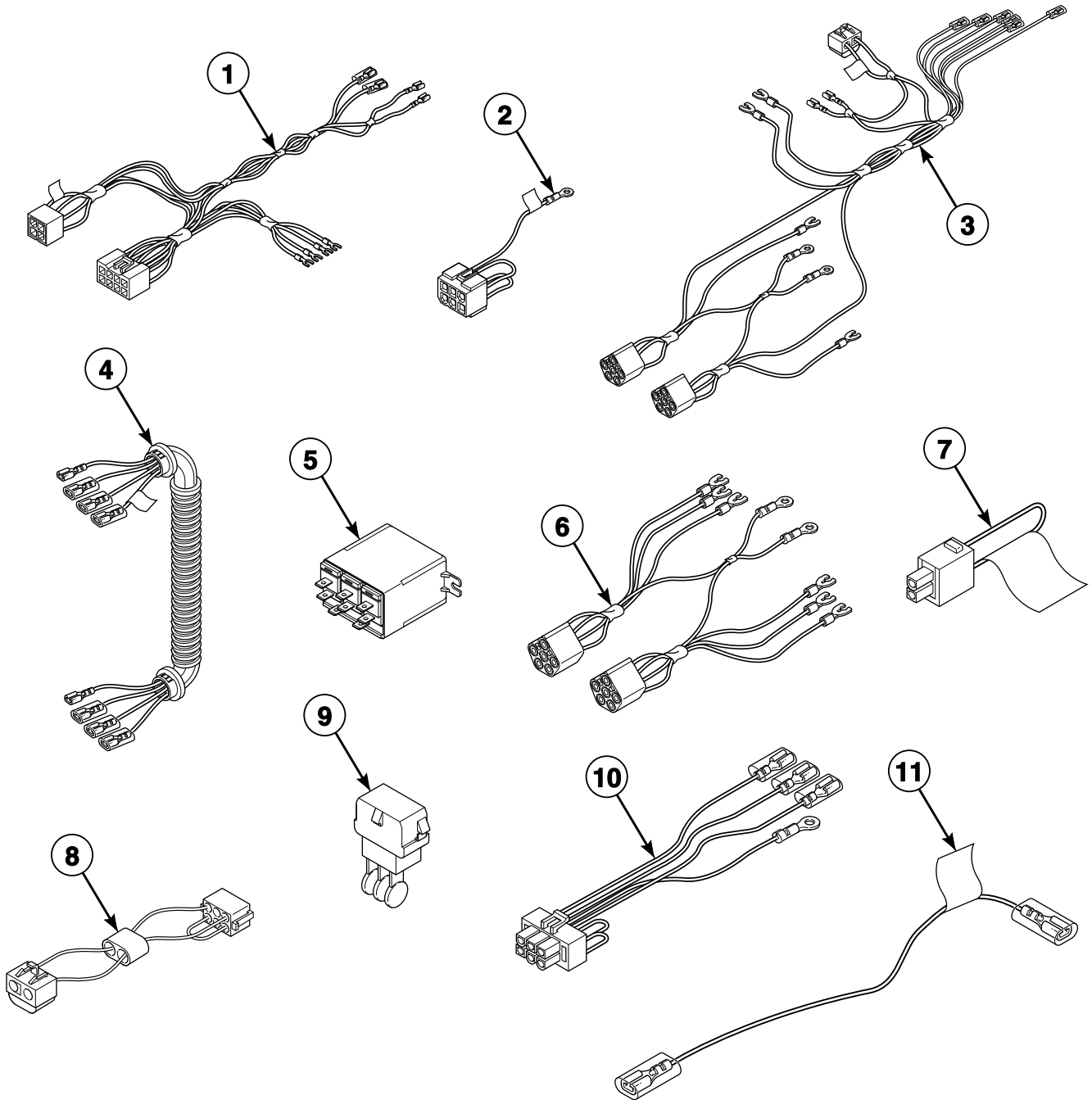


TMB2739PA_70304801

Control Tray Components - CE Gas Models (Drawing 2 of 2)

REF	PART NO.	DESCRIPTION	COMMENTS
	70411001	ICM Reset Label	Ignition control
1	M412368	Door Interlock	Upper pocket; Models through 7/31/11
2	70342501P	Extension Handle	Upper pocket; Models through 7/31/11
3	M412187P	Mounting Switch Base	Upper pocket; Models through 7/31/11
4	M412366	Finger Guard	Upper pocket; Models through 7/31/11
5	44083001	Screw	3 required
6	70333001	Terminal Block Shield	
7	430642	Terminal Block	
8	M413862	Insulator	
9	430497	Screw	
10	00177	Male Tab Terminal	Ground
11	M402917	Screw	
12	70030501	Expansion Clip	
13	56128	Bumper Pad	2 required
14	51780	Screw	11 required
15	70323701P	Contactactor	
16	38272	Screw	
17	70367401P	Ignition Control	
18	33562	Screw	Lower pocket
19	70313301	Fuse Cover	
20	70058501	Pop Rivet	
21	M412208	Handle	Upper pocket; Models through 7/31/11
22	70313402	Contactactor Box Cover	
23	M414228P	Transformer	Multitap; 1 Phase and 3 Phase models with less than 380 Volts
	M414229P	Transformer	Multitap; 3 Phase models with 380 Volts or more
24	M411072	Screw	4 required
25	51782	Screw	2 required; Upper pocket

Control Tray Harnesses - Steam Models

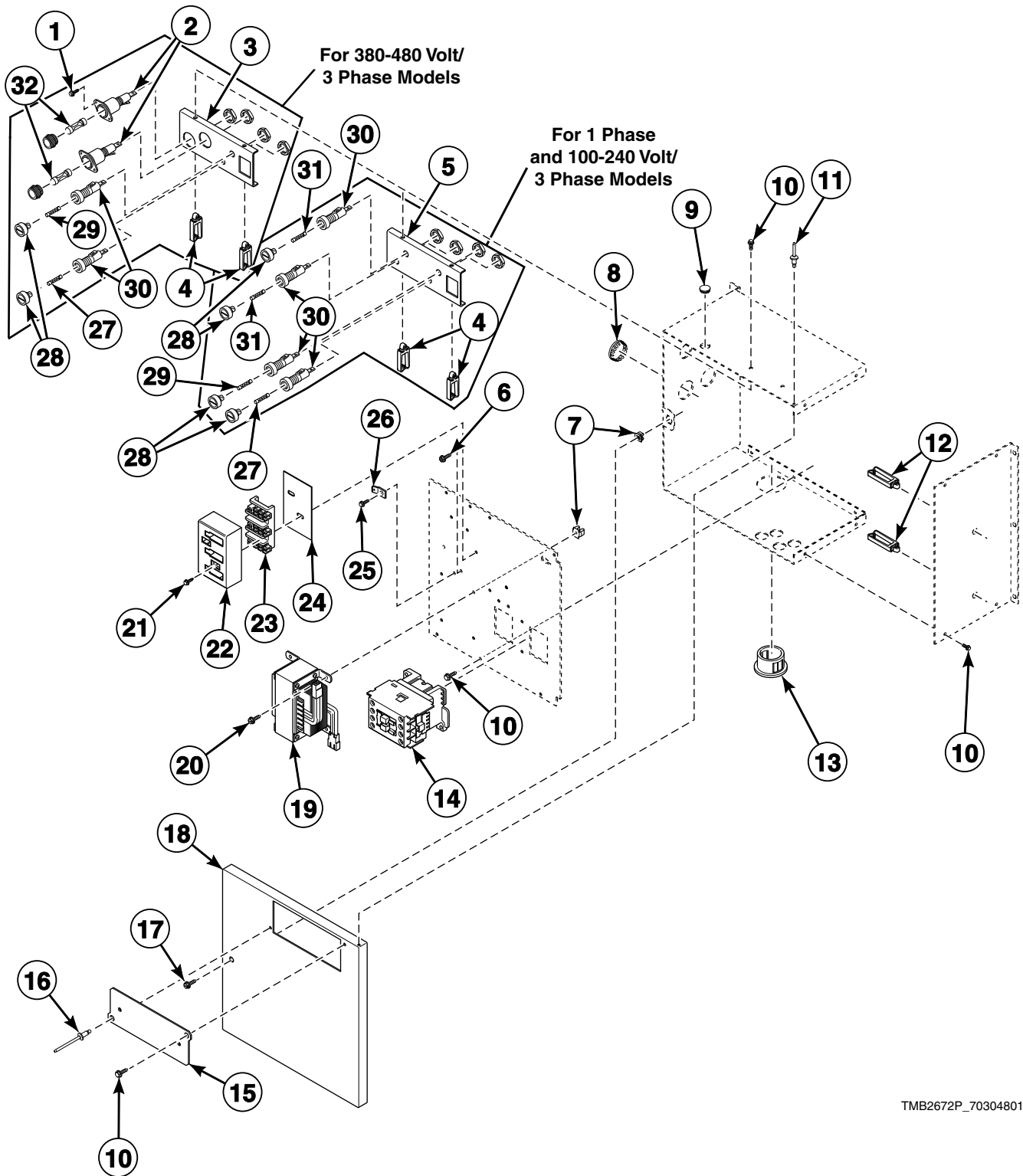


TMB2792P_70304801

Control Tray Harnesses - Steam Models

REF	PART NO.	DESCRIPTION	COMMENTS
1	70315801	Junction Box Harness	Dual secondary
2	70322401P	Steam Configuration Harness	
3	70347701P	Power Harness	Models through 2/28/10; Contactor; 1 Phase
	70316101P	Power Harness	CE models through 2/28/10; 3 Phase models with less than 380 Volts
	70332201	Power Harness	Models through 2/28/10; 3 Phase models with 380 Volts or more
	70445501	Power Harness	Models starting 3/1/10; Contactor; 1 Phase
	70439001	Power Harness	CE models starting 3/1/10; 3 Phase models with less than 380 Volts
	70438901	Power Harness	Models starting 3/1/10; 3 Phase models with 380 Volts or more
4	70316201	Power Harness	Models through 2/28/10; Upper pocket to lower pocket
	70439501	Power Harness	Models starting 3/1/10; Upper pocket to lower pocket
5	70210901P	Relay	Non-CE models; 1 Phase
6	70320201	Motor Contactor Harness	Models through 2/28/10; 3 Phase models with 380 Volts or more
	44142601P	Motor Contactor Harness	Models starting 3/1/10; 3 Phase models with 380 Volts or more
7	70316601	Stove Limit Bypass Harness	
8	M413505	Jumper Harness Assembly	Non-CE models; 208 Volt/60 Hertz/1 Phase and 240 Volt/60 Hertz/1 Phase
	M413507	Jumper Configuration Assembly	CE models with less than 380 Volts; Non-CE models with 230-240 Volt/50 Hertz/1 Phase and 3 Phase models with less than 380 Volts
	M413508	Jumper Harness Assembly	Non-CE models with 100, 200, 220 Volt/60 Hertz/1 Phase, 100, 200 Volt/50 Hertz/1 Phase and 3 Phase models with less than 380 Volts; CE models with 380 Volts or more
	M413510	Jumper Configuration Assembly	Non-CE models; 460-480 Volt/60 Hertz/3 Phase
9	M413863	Network Capacitor Assembly	3O, 3V and 3X control suffixes
10	M413878	Capacitor Network Harness Assembly	3O, 3V and 3X control suffixes
11	70389901	Steam Stove Limit Bypass Harness	

Control Tray Components - Non-CE Steam Models

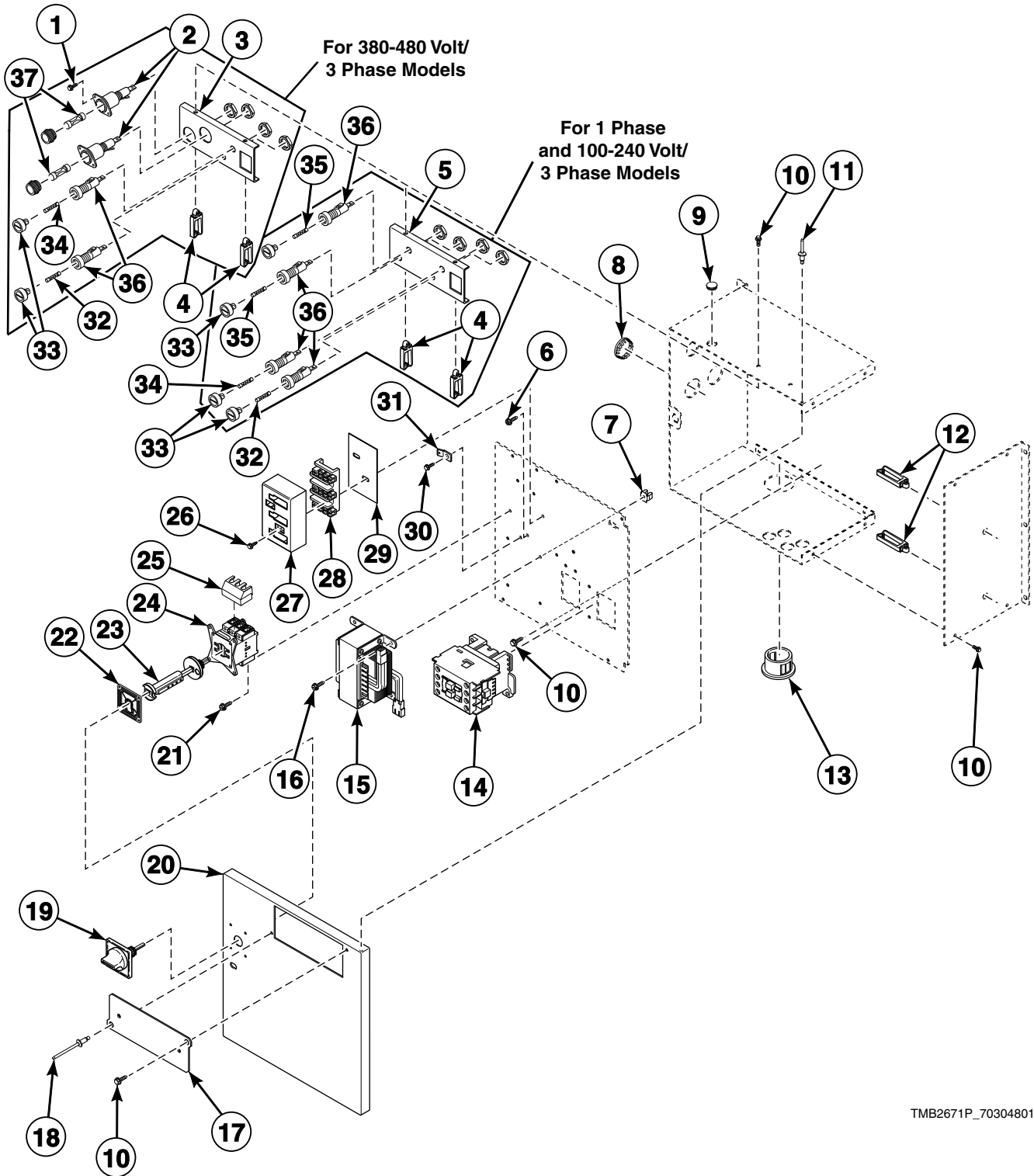


TMB2672P_70304801

Control Tray Components - Non-CE Steam Models

REF	PART NO.	DESCRIPTION	COMMENTS
1	501086	Screw	4 required for models with 380 Volts or more
2	M413544P	Fuse Holder	2 required for 3 Phase models with 380 Volts or more; Models through 2/28/10
	44155601	Fuse Holder	2 required for 3 Phase models with 380 Volts or more; Models starting 3/1/10
3	70313601	Fuse Bracket	3 Phase models with 380 Volts or more; Models through 2/28/10
	70313602	Fuse Bracket	3 Phase models with 380 Volts or more; Models starting 3/1/10
4	70347601	Wire Clip	2 required
5	70306901	Fuse Bracket	
6	M402917	Screw	
7	70030501	Expansion Clip	5 required
8	M400985	Plug	2 required
9	44024202	Hole Plug	
10	51780	Screw	11 required
11	70058502	Pop Rivet	2 required
12	36274	Wire Clip	3 required
13	M402542	Snap Bushing	
14	70323701P	Contactator	
15	70313301	Fuse Cover	
16	70058501	Pop Rivet	
17	33562	Screw	
18	70313401	Contactator Box Cover	
19	M414312P	Transformer	Dual secondary: 120, 208-240 Volt/60 Hertz/1 Phase models with 3O, 3V, 3X, BC, BG, BL, BX, BY, LC, LX, LY, NC, NJ, NR, NX, NY, WC, WX, WY, ZC, ZR, ZX and ZY control suffixes
	M414230P	Transformer	Primary/secondary; 120, 208-240 Volt/60 Hertz/1 Phase models with QT and SD control suffixes
	M414228P	Transformer	Multitap; All other 1 Phase models; 3 Phase models with less than 380 Volts
	M414229P	Transformer	Multitap; 3 Phase models with 380 Volts or more
20	M411072	Screw	4 required
21	44083001	Screw	2 required
22	70333001	Terminal Block Shield	
23	430642	Terminal Block	
24	M413862	Insulator	
25	430497	Screw	
26	00177	Male Tab Terminal	Ground
27	70406601	Fuse	3.5 Amp
28	70329501	Fuse Holder Cap	3 required 1 Phase models; 4 required 3 Phase models with less than 380 Volts; 2 required 3 Phase models with 380 Volts or more
29	70406501	Fuse	1.25 Amp
30	70329401P	Fuse Holder Body	3 required 1 Phase models; 4 required 3 Phase models with less than 380 Volts; 2 required 3 Phase models with 380 Volts or more
31	70406701	Fuse	2 Amp
32	M413621	Fuse	2 required for models with 380 Volts or more

Control Tray Components - CE Steam Models

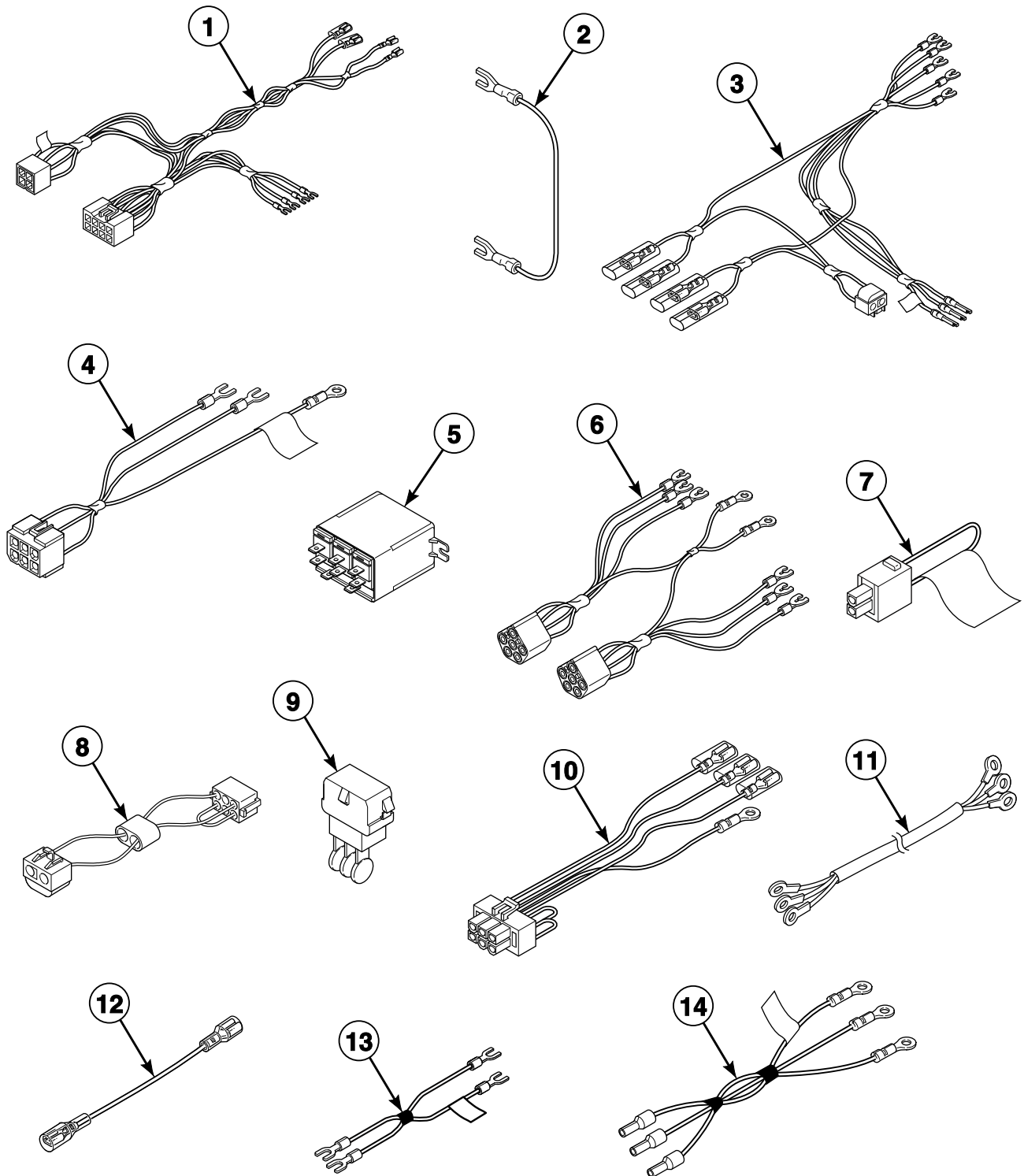


TMB2671P_70304801

Control Tray Components - CE Steam Models

REF	PART NO.	DESCRIPTION	COMMENTS
1	501086	Screw	4 required; Models with 380 Volts or more
2	M413544P	Fuse Holder	2 required for 3 Phase models with 380 Volts or more; Models through 2/28/10
	44155601	Fuse Holder	2 required for 3 Phase models with 380 Volts or more; Models starting 3/1/10
3	70313601	Fuse Bracket	3 Phase models with 380 Volts or more; Models through 2/28/10
	70313602	Fuse Bracket	3 Phase models with 380 Volts or more; Models starting 3/1/10
4	70347601	Wire Clip	2 required
5	70306901	Fuse Bracket	Models with less than 380 Volts
6	M402917	Screw	
7	70030501	Expansion Clip	
8	M400985	Plug	2 required
9	44024202	Hole Plug	
10	51780	Screw	11 required
11	70058502	Pop Rivet	2 required
12	36274	Wire Clip	4 required
13	M402542	Snap Bushing	
14	70323701P	Contactator	24 Volt
15	M414228P	Transformer	Multitap; Models with less than 380 Volts
	M414229P	Transformer	Multitap; Models with 380 Volts or more
16	M411072	Screw	4 required
17	70313301	Fuse Cover	3 required
18	70058501	Pop Rivet	
19	M412208	Handle	Upper pocket; Models through 7/31/11
20	70313402	Contactator Box Cover	
21	51782	Screw	2 required; Upper pocket
22	M412368	Door Interlock	Upper pocket; Models through 7/31/11
23	70342501P	Extension Handle	Upper pocket; Models through 7/31/11
24	M412187P	Mounting Switch Base	Upper pocket; Models through 7/31/11
25	M412366	Finger Guard	Upper pocket; Models through 7/31/11
26	44083001	Screw	2 required
27	70333001	Terminal Block Shield	
28	430642	Terminal Block	
29	M413862	Insulator	
30	430497	Screw	3 required
31	00177	Male Tab Terminal	Ground
32	70406601	Fuse	3.5 Amp
33	70329501	Fuse Holder Cap	3 required 1 Phase models; 4 required 3 Phase models with less than 380 Volts; 2 required 3 Phase models with more than 380 Volts
34	70406501	Fuse	1.25 Amp
35	70406701	Fuse	Models with less than 380 Volts; 2 Amp
36	70329401P	Fuse Holder Body	3 required 1 Phase models; 4 required 3 Phase models with less than 380 Volts; 2 required 3 Phase models with more than 380 Volts
37	M413621	Fuse	2 required; Models with 380 Volts or more

Accessory Box Harnesses - Electric Models

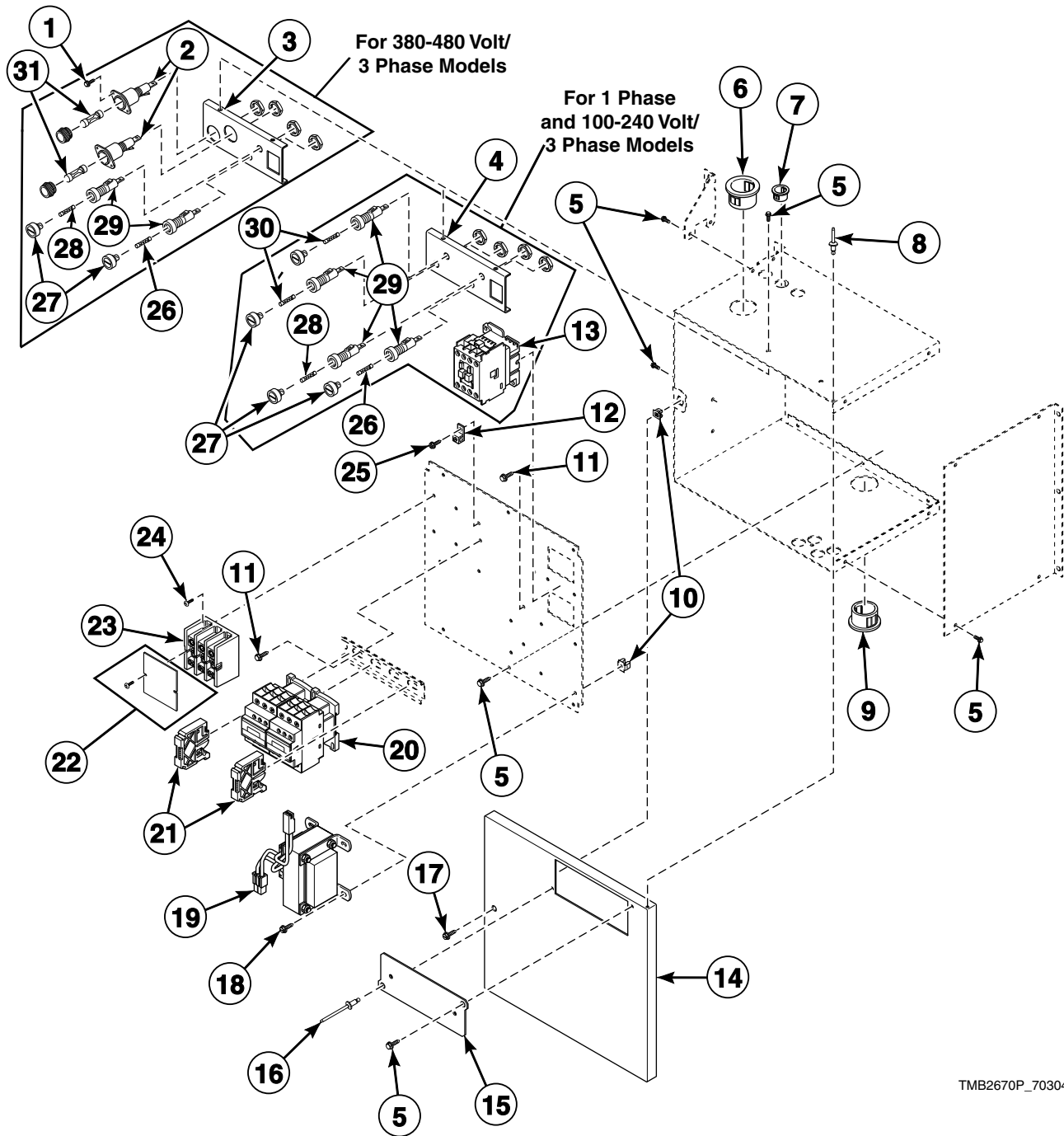


TMB2793P_70304801

Accessory Box Harnesses - Electric Models

REF	PART NO.	DESCRIPTION	COMMENTS
1	70315801	Junction Box Harness	Dual secondary
2	M413933	Jumper Cable Assembly	Non-CE and CE models; Non-CE models require 3; 7.5 inches
	M414121	Jumper Cable Assembly	CE models; 3 required
3	70357401	Power Harness	Models through 2/28/10; Models with less than 380 Volts
	70357501	Power Harness	Models through 2/28/10; Models with 380 Volts or more
	70439401	Power Harness	Models starting 3/1/10; Models with less than 380 Volts
	70439301	Power Harness	Models starting 3/1/10; Models with 380 Volts or more
4	70357601P	Electric Configuration Harness	
5	70210901P	Relay	Non-CE models; 1 Phase
6	70320201	Motor Contactor Harness	Models through 2/28/10; 3 Phase
	44142601P	Motor Contactor Harness	Models starting 3/1/10; 3 Phase
7	70316601	Stove Limit Bypass Harness	
8	M413505	Jumper Harness Assembly	Non-CE models; 208 Volt/60 Hertz/1 Phase and 240 Volt/60 Hertz/1 Phase
	M413506	Jumper Harness Assembly	Non-CE models; 200-208 Volt/60 Hertz/3 Phase and 200 Volt/50 Hertz/3 Phase
	M413507	Jumper Configuration Assembly	Non-CE models; 240 Volt/60 Hertz/3 Phase and 240 Volt/50 Hertz/3 Phase
	M413508	Jumper Harness Assembly	380 Volt/50 Hertz/3 Phase
	M413509	Jumper Harness Assembly	400-415 Volt/50 Hertz/3 Phase
	M413510	Jumper Configuration Assembly	Non-CE models; 460-480 Volt/60 Hertz/3 Phase
9	M413863	Network Capacitor Assembly	3O, 3V and 3X control suffixes
10	70286501	Capacitor Network Harness Assembly	3O, 3V and 3X control suffixes
11	70167901	Heater Cable Set Assembly	H1-H3
	70168001	Heater Cable Set Assembly	H4-H6; Non-CE models; Models with less than 380 Volts
12	70139001	Jumper Assembly	Non-CE models; Models with less than 380 Volts; 3 required; 10 inches
	70260201	Jumper Wire	CE models
13	70355801P	Electric Contactor Jumper Set Harness	Non-CE models; Models with less than 380 Volts
14	70371301P	Cable Set Heater Assembly	
	70371401P	Cable Set Heater Assembly	Models with 240 Volts or less

Accessory Box Components - Non-CE Electric Models

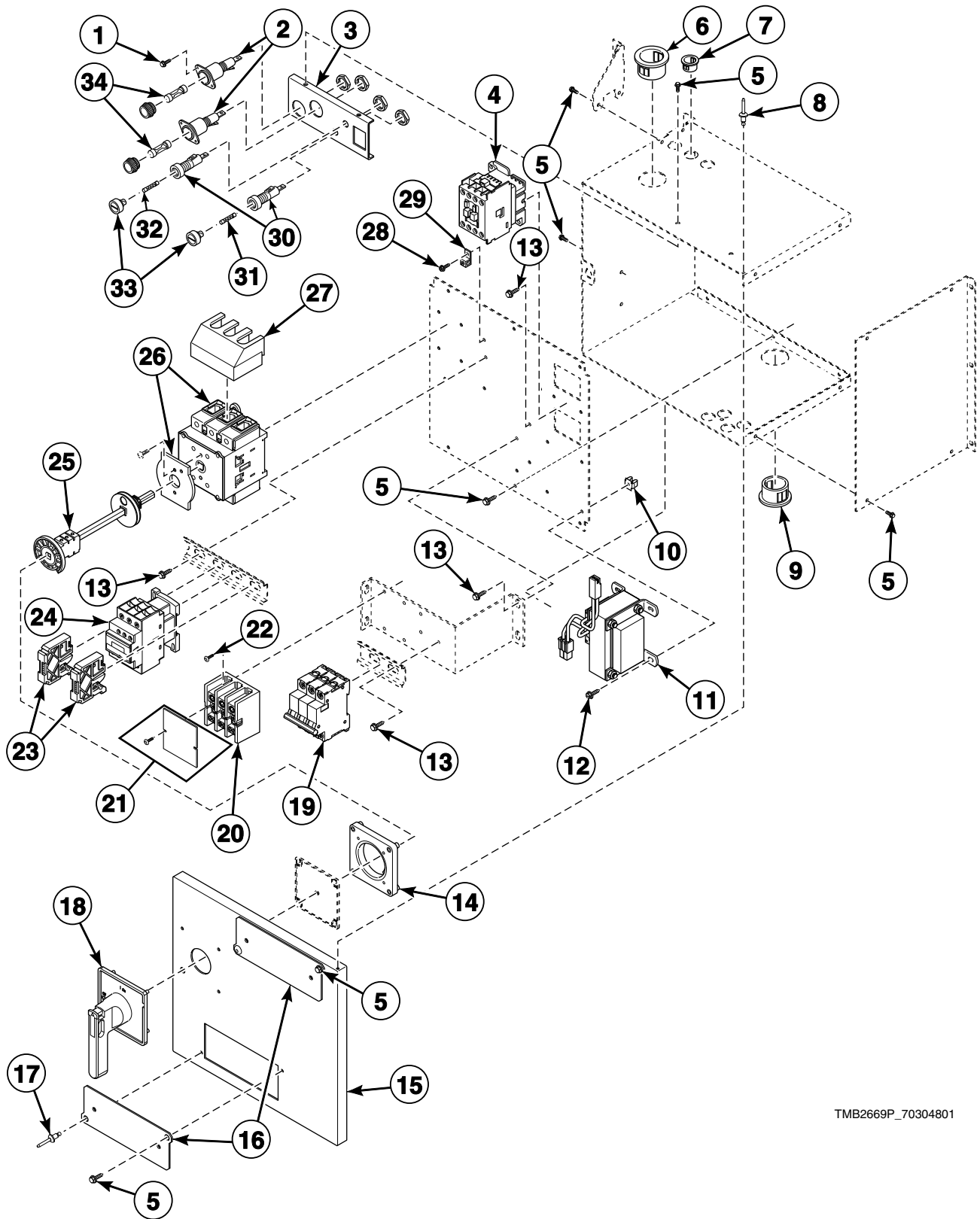


TMB2670P_70304801

Accessory Box Components - Non-CE Electric Models

REF	PART NO.	DESCRIPTION	COMMENTS
1	501086	Screw	4 required; Models with 380 Volts or more
2	M413544P	Fuse Holder	2 required for 3 Phase models with 380 Volts or more; Models through 2/28/10
	44155601	Fuse Holder	2 required for 3 Phase models with 380 Volts or more; Models starting 3/1/10
3	70313601	Fuse Bracket	3 Phase models with 380 Volts or more; Models through 2/28/10
	70313602	Fuse Bracket	3 Phase models with 380 Volts or more; Models starting 3/1/10
4	70306901	Fuse Bracket	Models with less than 380 Volts
5	51780	Screw	9 required
6	M405340	Snap Bushing	
7	M400770	Snap Bushing	
8	70058502	Pop Rivet	2 required
9	70346501	Bushing	
10	70030501	Expansion Clip	5 required
11	430497	Screw	
12	M411283	Ground Lug Connector	
13	70323701P	Contacto	24 Volt
14	70348201	Contacto Box Cover	
15	70313301	Fuse Cover	
16	70058501	Pop Rivet	
17	33562	Screw	
18	M411072	Screw	4 required
19	M414229P	Transformer	Multitap; Models with 380 Volts or more
	M414228P	Transformer	Multitap; Models with less than 380 Volts
20	70343301P	Contacto	2 required
21	70121001	End Stop	3 required
22	44014901P	Power Distribution Block Cover	Includes screws
23	M413865	Terminal Block	
24	39733	Screw	4 required
25	M402917	Screw	
26	70406601	Fuse	Models with less than 380 Volts; 3.5 Amp
27	70329501	Fuse Holder Cap	4 required
28	70406501	Fuse	1.25 Amp
29	70329401P	Fuse Holder Body	4 required
30	70406701	Fuse	2 required; 2 Amp
31	M413621	Fuse	2 required; Models with 380 Volts or more

Accessory Box Components - CE Electric Models



TMB2669P_70304801

Accessory Box Components - CE Electric Models

REF	PART NO.	DESCRIPTION	COMMENTS
	33562	Screw	2 required
	M412096	Earth Terminal Sticker	Next to item 29
1	501086	Screw	4 required
2	M413544P	Fuse Holder	2 required for 3 Phase models with 380 Volts or more; Models through 2/28/10
	44155601	Fuse Holder	2 required for 3 Phase models with 380 Volts or more; Models starting 3/1/10
3	70313601	Fuse Bracket	3 Phase models with 380 Volts or more; Models through 2/28/10
	70313602	Fuse Bracket	3 Phase models with 380 Volts or more; Models starting 3/1/10
4	70323701P	Contactator	24 Volt
5	51780	Screw	12 required
6	M405340	Snap Bushing	
7	M400770	Snap Bushing	3 required
8	70058502	Pop Rivet	2 required
9	M402542	Snap Bushing	
10	70030501	Expansion Clip	4 required
11	M414229P	Transformer	Multitap
12	M411072	Screw	4 required
13	430497	Screw	
14	M412369	Door Interlock	Models through 7/31/11
15	70348202	Contactator Box Cover	
16	70313301	Fuse Cover	2 required
17	70058501	Pop Rivet	2 required
18	70268001	Handle	Models through 7/31/11
19	M412407P	Circuit Breaker	
20	M413865	Terminal Block	
21	44014901P	Power Distribution Block Cover	
22	39733	Screw	4 required
23	70121001	End Stop	2 required
24	70343301P	Contactator	
25	M412371P	Extension Handle	Models through 7/31/11
26	M412186	Mounting Switch Base	Models through 7/31/11
27	M412367	Finger Guard	Models through 7/31/11
28	M402917	Screw	
29	M411283	Ground Lug Connector	
30	70329401P	Fuse Holder Body	2 required
31	70406601	Fuse	3.5 Amp
32	70406501	Fuse	1.25 Amp
33	70329501	Fuse Holder Cap	2 required
34	M413621	Fuse	2 required

Parts Index

A

Access Panel Trim	
70399401	51
70399406	51
Adapter	
70131901	83, 85
Air Filter	
70036001	89
Airflow Switch and Arm Bracket	
70319601	79
Airflow Switch Arm	
70319401	79
Airflow Switch Cover	
70356601	79
70465701	79
Airflow Switch Vane	
70319201	79
Airflow Switch Wrapper	
70356101	79
Audit Switch Bracket	
70183901	21, 23, 29
70292601	27, 31

B

Base Harness	
70345801	55
70449001	55
Belt	
70276201P	67
70276204P	67
Belt Tension Tool Kit	
M4853P3	67
Blower Assembly	
70302201P	73
70359801P	73
Blower Housing Cover Assembly	
70322801	73
70341401	73
Blower Housing Scroll	
70303201	73
70340801	73
Blower Inlet Cone	
70014101	73
70303101	73
Blower Motor	
70297901P	73
70342601P	73
70401401	73
Blower Motor Kit	
70337601P	73
70337701P	73
Blower Motor Mounting Plate	
70303401	73
70341001	73
Bolt	
70062401	67
70392801	63

Bumper Pad	
56128	95, 99
Burner Grill	
70188801	77
70306501	77
Burner Orifice	
M401000	81
M401002	81
M401007	81
M401011	81
M401014	81
M402980	81
M402988	81
M402996	81
M403017	81
M406184	81
M406361	81
M411373	81
M411375	81
M411376	81
M411510	81
M411511	81
M411512	81
Bushing	
M406124	93, 97
70346501	109
Buzzer Kit	
M4860P3	17
Bypass Harness	
70364103	17, 23, 33, 39

C

Cable Set Heater Assembly	
70371301P	107
70371401P	107
Cam and Hinge Kit	
M4772P3	49
M4773P3	49
Capacitor Network Harness Assembly	
M413878	91, 101
70286501	107
Card Reader and Bracket Assembly	
510068P	33
Card Reader Harness Assembly	
70211801	33
Card Reader Network Harness Assembly	
70206601	33
Card Reader Overlay	
70334201	23
70334301	23
Center Cylinder Seal	
70066005	65
Center Cylinder Seal Assembly	
70066003	65
Center Partition	
70301601	65
70339201	65
Center Trim	
70299601	53

N/A items do not appear in index.

Center Trim Overlay 70299701	53	70348201	109
Channel Base Assembly 70288201	65	70348202	111
Chassis Mounting Bracket 70119001	23, 29	Control Assembly	
Chassis Mounting Bracket Assembly 70419201	39	511867P	21, 23
Circuit Breaker M412407P	111	512202P	17
Clip 70226701	65, 71	513139P	15
Coin Drop		70434101	45
38963P	25	70437102P	45
39748	25	70437103P	45
70256402P	25	70437104P	45
70429001	25	70437105P	45
70441601P	25	70454101P	45
Coin Drop Assembly		70462303P	19
210195	25	70462304P	19
210196	25	70462363P	19
38462P	25	70462364P	19
38463	25	Control Chassis Mounting Bracket	
38464P	25	70357901	17
38467	25	70357902	15
38472	25	Control Door and Studs Assembly	
38475	25	70441001	45
38519	25	70441101	45
38521	25	Control Door Assembly	
39157	25	70175911	33
70441602	25	70361201	17
70447301	25	70365101	15
70471601	25	70365801	15
Coin Drop Kit		Control Door Latch	
CK077	25	431318	15, 17, 23, 31, 33, 37, 39
Coin Identification Paper		Control Housing	
38725	25	70119901	53
Coin Vault Assembly		Control Housing Cover	
70180101	55	70307002	35, 41
Coin Vault Switch Harness		70307003	29
70364104P	21, 31, 37	Control Kit	
Coin Vault Trim		505905P	29, 31, 33
70117501	55	512858P	37, 39
70117502	55	Control Mounting Bracket Assembly	
Communication Board		70420201	29
210097	43	Control Overlay	
Communication Board Bracket		70410101	37
70323101	43	70410102	37
Communication Connector		70417601	39
210099	43	70443401	37
Communication Harness Assembly		70443501	37
70211101	35	70449401	37
Contact Block		Control Panel Harness	
44018701	57	44240301	45
44018901	57	70315501P	21, 23, 29, 33
Contact Block Switch		70315601P	19
F200233401	57	70367001P	17
Contact Switch		70367101	15
F8069501	57	70368001P	23, 29, 31, 33
Contactactor		70369001	15
70323701P	95, 99, 103, 105, 109, 111	70410401P	37, 39
70343301P	109, 111	Control Panel Harness Assembly	
Contactactor Box Cover		70315701	19
70313401	95, 103	Control Plate Assembly	
70313402	99, 105	70348901	23, 29, 39
		70349001	23
		70365601	17
		70419501	31
		Control Plate Kit	
		70279301P	19
		70291101P	21, 27, 31, 37
		70291201P	21, 27

N/A items do not appear in index.

E

Earth Terminal Sticker M412096	111
Elbow	
70079601	83, 85
70208701	83
Electric Configuration Harness 70357601P	107
Electric Contactor Jumper Set Harness 70355801P	107
Electronic Coin Drop Assembly	
70294103P	25
70294104	25
70294105P	25
70294106	25
70294107	25
70294109	25
70294111	25
Electronic Coin Drop Harness 44065801	25
Electronic Coin Drop Kit	
CK113	25
CK115	25
Emergency Stop Button Kit F200233700P	57
Emergency Stop Harness	
70364101P	57
70364102	57
Emergency Stop Label 44012901	57
Emergency Stop Pushbutton F200233500	57
End Cap	
70070101	63
70070102	63
End Stop 70121001	109, 111
Exhaust Duct Assembly	
70311901	71
70311902	71
70340501	71
70340502	71
Exhaust Duct Gaskets Assembly	
70302801P	71
70340401	71
Exhaust Pipe 44154301	71
Exhaust Pipe Assembly 70425801	71
Expansion Clip 70030501	65, 95, 99, 103, 105, 109, 111
Extension Handle	
M412371P	111
70342501P	99, 105

F

False Front Kit	
70371701*P	51
70371702P	51

Fan Motor Harness	
70317001	73
70440001P	73
70440401	73
Filter 44172001	89
Finger Guard	
M412366	99, 105
M412367	111
Forward Valve Cover 70328201	81
Front Cylinder Seal	
70173401	51
70173402	51
Front Panel Baffle Seal 70017301	53, 55
Fuse	
M413621	93, 97, 103, 105, 109, 111
70406501	93, 97, 103, 105, 109, 111
70406601	93, 97, 103, 105, 109, 111
70406701	93, 97, 103, 105, 109
Fuse Bracket	
70306901	93, 97, 103, 105, 109
70313601	93, 97, 103, 105, 109, 111
70313602	93, 97, 103, 105, 109, 111
Fuse Cover 70313301	95, 99, 103, 105, 109, 111
Fuse Holder	
M413544P	93, 97, 103, 105, 109, 111
44155601	93, 97, 103, 105, 109, 111
Fuse Holder Body 70329401P	93, 97, 103, 105, 109, 111
Fuse Holder Cap 70329501	93, 97, 103, 105, 109, 111

G

Gas Burner 70229801P	77
Gas Disconnect Harness	
70342101	91
70440501	91
Gas Valve	
44154501P	81
44154502P	81
Gas Valve Bracket 70233301	83, 85
Gas Valve Coil 70260101	83, 85
Gas Valve Cover	
70233401	77, 83, 85
70425001	77
Gas Valve Harness Assembly M413650	81, 83, 85
Gasket 70392701P	73
Graphic Overlay	
70279101	19
70279201	19
70279202	19
70462601	19
70462602	19
70468201	19

N/A items do not appear in index.

Ground Lug Connector M411283	109, 111
---------------------------------------	----------

H

Handle	
M412208	99, 105
70268001	111
Handle Bar	
70399501B	47
70399502B	47
Harness Assembly	
M412997	81, 83, 85, 89
Heater Cable Set Assembly	
70167901	87, 107
70168001	87, 107
Heater Element	
70034401P	87
70034402P	87
70034403P	87
High Voltage Lead	
70323601	91
Hole Plug	
44024202	103, 105

I

ICM Reset Label	
70411001	99
Idler Bracket	
70443301	67
Idler Wheel Assembly	
70050401P	67
Igniter Cover	
70159601	77
Ignition Control	
70367301P	95
70367401P	99
Ignition Control Harness	
44136601P	91
44186701	91
Instruction Label	
70418101	51
Insulator	
M413862	95, 99, 103, 105

J

Jumper Assembly	
70139001	107
Jumper Cable Assembly	
M413933	107
M414121	107
Jumper Calibration Assembly	
70211703P	31, 33
Jumper Calibration Wire	
70324603	15, 17, 29, 37, 39
Jumper Configuration Assembly	
M413507	91, 101, 107
M413510	91, 101, 107

Jumper Harness Assembly	
M413505	91, 101, 107
M413506	91, 107
M413508	91, 101, 107
M413509	107
Jumper Strip	
M400869	87
Jumper Wire	
70260201	107
Junction Box Harness	
70315801	91, 101, 107

K

Key	
70144101	73
70155601	53
70155602	59
Kickplate	
70117605	55
70117606	55

L

Label	
70286601	53
70286602	53
70289802	53
70414001	53
Latch Mounting Bracket	
70119801	15, 17
70184501	23, 29, 31, 33, 37, 39
Light	
801431	15
Limit Thermostat	
M409219	77
M410220	87
M411307	73
70299001	77
Lint Drawer Front Assembly	
70323001	59
70323002	59
Lint Drawer Front Kit	
70322901P	59
70322902P	59
Lint Drawer Gasket	
70117901P	53, 55
70300201P	53, 55
Lint Drawer Handle	
70320801	59
70320802	59
Lint Drawer Handle Plate	
70323201	59
Lint Drawer Switch	
431159	65
Lint Frame Gasket	
70333101	59
70333103	59
Lint Panel Gasket	
70289101P	71
Lint Screen Assembly	
70290601	59
70301201	59

N/A items do not appear in index.

Lint Screen Bracket	
70026901	59
Lock Shim	
70342401	59
70342402	59
Lock, Key and Nut Kit	
44089301P	53
44089302P	59
Lower Card Reader Harness	
70420101P	29
Lower Front Panel Assembly	
70391201*P	51
70391202P	51
70391203*P	51
70391204	51
70391205*	51
70391206P	51
70391401*P	51
70391402P	51
70391403*P	51
70391404P	51
70454502	51
Lower Stove Cover	
70333501	87
L.P. Conversion Kit	
M4707P3	81
M4880P3	81
L.P. Valve	
70457302P	83, 85
L.P. Valve Conversion Kit	
M4734P3	83, 85

M

Main Harness	
70346001P	15, 17, 21, 23, 29, 37, 39
70346002P	31, 33, 37, 39
70419901P	29
70441401	15, 17, 19, 21, 23, 37, 39, 45
Male Tab Terminal	
00177	15, 17, 95, 99, 103, 105
Manual Reset Thermostat	
70397101	77
Moisture Sensor Harness Assembly	
70448901	75
Motor Capacitor	
M410296	69
70211401	69
70211502	69
70413101	69
70413201	69
70435701	69
70435702	69
Motor Channel	
70261701	67
Motor Conduit Mounting Bracket	
70321701	67, 73
Motor Contactor Harness	
44142601P	91, 101, 107
70320201	91, 101, 107
Motor Mount Bracket	
70127301	67
70312001	67

Motor Pulley	
70284201	67
70284203	67
70284204	67
70284208	67
Mounting Plate	
70208801	23, 29, 39
Mounting Switch Base	
M412186	111
M412187P	99, 105

N

Nameplate	
44046801	53
44062901	53
44129906	53
44129908	53
70289201	53
70289801	53
Nameplate Overlay	
44144401	47
70411401	47
Network Board Assembly	
201341	41
210016P	35
Network Capacitor Assembly	
M413863	91, 101, 107
Network Controller Kit	
NK220	37, 39
Network Retrofit Kit	
NK207	37, 39
Network Wire Harness Assembly	
44088501P	41
800217	35
Nut	
M400022	63, 73
M400034	63, 73
M400035	75
M412986	63, 67
M414215	47
Q6163	87
21899	65
23951	49
24205	15, 17
27222	67
29786	15, 21, 27, 31, 73
29787	17, 19, 29
29796	67
430576	65
44071201	47
44087101	59
44088801	53, 59
56156	67
70030401	65
70054	15, 17, 23, 29, 33, 45
70288801	65
N.G. Valve	
70457301P	83, 85
N.G. Valve Conversion Kit	
M4733P3	83, 85

N/A items do not appear in index.

O

Opto Coupler	
200674P	25
Orifice Adapter	
70435901	81
Orifice Holder Bracket	
70248901	81
Orifice Keeper Bracket	
70249001	81
O-Ring	
431482	83, 85
Output Harness	
44186101	45
Overlay	
44147801	31
70114601	53
70114701	61
70115201	61
70115301	61
70115401	53
70129501	21
70129601	21
70129701	21
70129801	21
70136301	61
70136401	61
70136501	61
70136601	61
70137101	61
70184101	31
70184102	31
70184201	33
70235101	33
70243801	53
70257801	21
70257802	21
70258101	21
70258201	61
70261101	21
70261102	21
70261301	21
70275401	23
70285001	61
70286701	23
70286801	23
70299901	61
70300001	61
70304201	23
70304301	61
70321001	21
70325301	61
70335801	23
70336001	23
70351501	23
70351601	61
70351701	61
70361301	17
70361401	17
70361901	15
70362001	15
70362301	53
70362601	53
70362701	53
70363101	61
70375301	61
70381101	61

70381201	61
70395901	61
70396001	61
70408001	61
70411601	53, 61
70412901	53
70413601	31
70413602	31
70413701	53, 61
70413801	61
70413901	31
70413902	31
70416301	33
70416401	33
70417901	29
70418001	29
70428701	61
70428702	61
70428801	61
70428802	61
70428901	61
70445102	45
70452601	21
70452602	21
70452701	21
70452702	21
70452801	23
70452901	23
70460901	61
70461001	61
70462801	45
70463002	45
70466701	45
70467101	45
70472302	45
70472502	45

P

Panel Clip	
M406494	53
Panel Latch	
70399201	59
Panel Latch Kit	
70399201P	59
Panel Locator	
56079	17, 29
PC Board Standoff	
210098	43
Pin	
70071401	49
Pipe	
70262601	81, 85
Pipe Clip	
70203701	77
Pipe Nipple	
431486	81
70139601	85
70210201	83
Pipe Tee	
70267501	81
Plug	
M400985	93, 97, 103, 105
Pop Rivet	
M400003	15, 17, 23, 31, 33, 37, 39, 53

N/A items do not appear in index.

44166601	55
70058501	49, 65, 81, 95, 99, 103, 105, 109, 111
70058502	93, 97, 103, 105, 109, 111
70126301	47, 55
70126401	55
70412601	47
Porcelain Touch-Up Paint	
122P4P	51, 65
215P4P	51, 65
370P4P	51, 65
Power Distribution Block Cover	
44014901P	109, 111
Power Harness	
70316101P	91, 101
70316201	91, 101
70332201	91, 101
70347701P	91, 101
70357401	107
70357501	107
70438901	91, 101
70439001	91, 101
70439301	107
70439401	107
70439501	91, 101
70445501	91, 101
Pushbutton	
44018801	57
Pushbutton Switch	
M413431	97
70107001	21, 23, 27, 29, 31, 53, 55

R	
Rear Bearing Shim	
70355001	63
Rear Cylinder Bearing Housing	
70013901	63
Rear Cylinder Channel	
70257101	63
70257102	63
70305201	63
70305202	63
Rear Cylinder Channel Plate	
70257201	63
70305301	63
Rear Cylinder Seal	
70013701P	63, 65
70013703	63, 65
Rear Cylinder Seal Support	
70017201	63, 65
70305401	63, 65
Rear Panel	
70301701	65
70339401	65
70339402	65
Rear Stabilizer Bracket	
70200301	73
Rear Valve Cover	
70282401	81
Relay	
70210901P	101, 107
Replacement Gas Valve Kit	
M4970P3	81
M4972P3	81

Rocker Switch	
44099601	29
70455101	15, 17
70461301	17
Roller Bearing Assembly	
70298701P	65
Roller Seal	
70443601	65
Roller Shaft	
70249501	65

S

Screw	
M400044	49
M400056	67
M400661	47
M402917	95, 99, 103, 105, 109, 111
M405188	53
M411072	71, 95, 99, 103, 105, 109, 111
M412985	67
05161	77
23222	67, 73, 83, 85
33562	95, 99, 103, 109, 111
38272	95, 99
39733	109, 111
430497	29, 63, 65, 67, 71, 73, 77, 79, 81, 83, 85, 87, 95, 99, 103, 105, 109, 111
430648	67
430756	47
430757	47
431484	83, 85
44083001	95, 99, 103, 105
501086	93, 97, 103, 105, 109, 111
501524	15, 17, 21, 23, 29, 31, 33, 37, 39, 45
51780	73, 93, 95, 97, 99, 103, 105, 109, 111
51782	99, 105
52909	35, 41
61199	47, 49
62588	63
70033502	49, 53, 55
70069901	55
70126101	73
70182601	53, 55
70247701	65
70275801	53, 55
70407301	49
Shadow Box Clip	
M400972	53, 55
Sheet Metal Edge Gasket	
70015707	65
70015708	65
70015711	65
70015712	65
Side Panel	
70231801*P	65
70301801*P	65
Sleeve	
44050601	19
Slip Ring Assembly	
44240201	75
Slip Ring Holder	
44224401	75
Slot Card Plate Assembly	
44089501	23, 29, 39

N/A items do not appear in index.

Snap Bushing	
M400770	81, 109, 111
M402542	93, 97, 103, 105, 111
M405340	109, 111
Solenoid Valve DIN Connector	
70370301P	89
Spark Electrode	
70032801P	77
Spray Paint	
286P4	51, 65
297P4	51, 65
298P4P	51, 65
Spud Adapter	
70223501	83, 85
Steam Coil	
70369101P	89
Steam Configuration Harness	
70322401P	101
Steam Stove Limit Bypass Harness	
70389901	101
Steam Valve	
F8322902	89
70351001P	89
Steam Valve Coil	
M412258	89
70205701P	89
Steam Valve Rebuild Kit	
70351021P	89
Stove Back	
70371501	77
70375201	77
Stove Grill	
70214901	87
Stove Limit Bypass Harness	
70316601	101, 107
Stove Limit Harness	
70316501	77
Stove Limits Harness	
70316501	77
Stove Limits Kit	
M4903P3	77
Stove Top and Sides	
70306001	77
70333401	77
Street Elbow	
H86070034	81, 83, 85
Support Bearing	
70448701	63
Switch	
70411901	79
Switch Bracket	
70356301	79

T

Tee	
70071801	81, 83, 85
Temperature Knob	
44104601	15, 17
Temperature Selector Bracket	
70350201	15
Temperature Selector Switch	
511711	15, 17

Temperature Selector Switch Bracket	
70391701	17
Terminal Block	
M413865	109, 111
430642	95, 99, 103, 105
Terminal Block Shield	
70333001	95, 99, 103, 105
Terminating Resistor	
210162	43
Thermistor	
M414704	73
Thermistor Cover	
70346301	73
Thermostat Cover	
M414477	77
Top Panel	
70302001	65
Top Panel Assembly	
70357701	65
70357801	65
Transformer	
M414228P	95, 99, 103, 105, 109
M414229P	95, 99, 103, 105, 109, 111
M414230P	95, 103
M414312P	95, 103
Trunnion and Seal Kit	
M4960P3	63
M4962P3	63
Trunnion and Wire Assembly	
70454601	63
Tube	
70281601	81
70281602	81
70281603	83, 85
Tumbler Dolly Kit	
M4379P4	55

U

Upper Card Reader Harness	
70420001P	29
Upper Front Panel Assembly	
70391301*P	51
70391302P	51
70391303P	51
70391501*P	51
70391502P	51
70391503P	51
70454501	51

V

Valve Bracket and Cover Kit	
M4746P3	83, 85
Valve Coil Bracket	
70260601	83, 85
Valve Rebuild Kit	
F8379502	89
Valve Support Bracket	
70457701	83, 85

N/A items do not appear in index.

W

Warning Label	
M410892	53, 55
Washer	
M400080	63
M400991	63, 73
70261401	65
70265901	67
70270301	67
70292801	27
70409301	47
70411301	63
Wire Clip	
36274	29, 93, 97, 103, 105
70347601	93, 97, 103, 105
70366201	73
Wire Guard	
201595P	25
