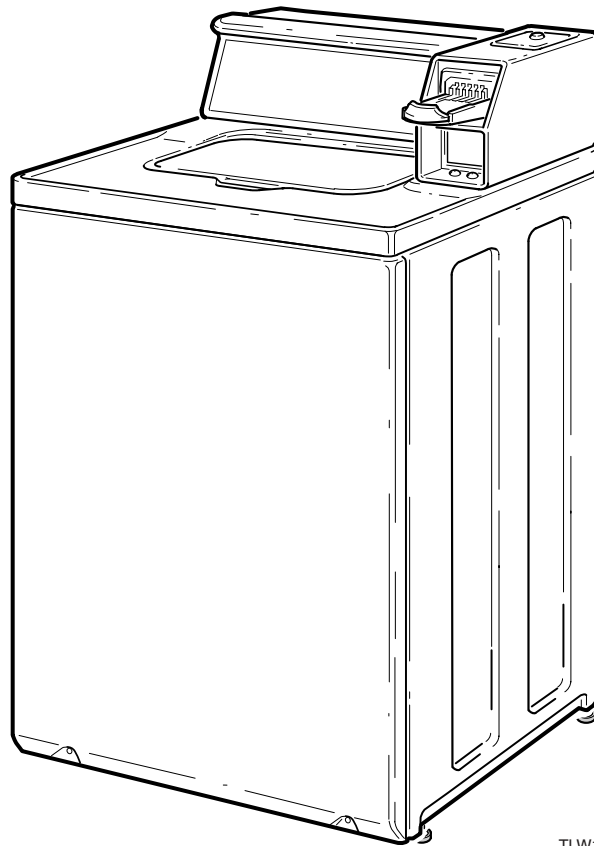


Automatic Washers

Metered and Nonmetered
Refer to Page 3 for Model Numbers



TLW1C_36315

Table of Contents

Title	Page
Parts Ordering Information.....	2
Nameplate Location.....	2
Model Identification.....	3
Timer, Case and Plate.....	4
Coin Slide Start Security Kit.....	6
Timer, Meter Case and Service Door.....	8
Coin Drop, Meter Case and Service Door.....	10
Coin Drop, Meter Case and Service Door.....	12
Control Panel, Control Hood and Controls.....	14
Control Panel, Control Hood and Controls.....	16
Control Panel, Control Hood and Controls.....	18
Control Panel, Control Hood and Controls.....	20
Cabinet Top, Loading Door and Lid Lock.....	22
Cabinet Top, Loading Door and Shield.....	24
Out-of-Balance Switch.....	26
Inlet Hose, Fill Hose, Mixing Valve Mounting Bracket.....	28
Mixing Valve Assembly.....	30
Agitator, Drive Bell, Seal Kit, Washtub and Hub.....	32
Outer Tub, Cover and Pressure Hose.....	34
Motor, Mounting Bracket, Belts and Idler Assembly.....	36
Pump Assembly, Bracket, Hoses and Siphon Break Kit.....	38
Transmission Assembly and Balance Ring.....	40
34526P Transmission Assembly.....	42
Bearing Housing, Brake, Pulley and Pivot Dome.....	44
Front Panel, Base Assembly and Cabinet Assembly.....	46
Mixing Valve and Motor Disconnect Blocks, Terminals and Terminal Extractor Tool.....	48
Power Cord and Terminals.....	50
Special Tools.....	52
Special Tools.....	54
Wire Harnesses and Wires.....	56
Parts Index.....	57

© Copyright 2003, Alliance Laundry Systems LLC

All rights reserved. No part of the contents of this book may be reproduced or transmitted in any form or by any means without the expressed written consent of the publisher.

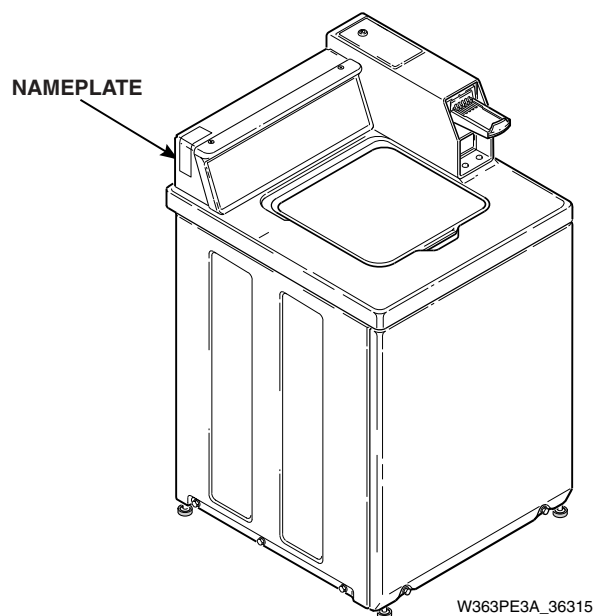
Parts Ordering Information

If literature or replacement parts are required, contact the source from whom the machine was purchased or contact Alliance Laundry Systems at (920) 748-3950 for the name and address of the nearest authorized parts distributor.

For technical assistance, call (920) 748-3121.

Nameplate Location

When calling or writing about your product, be sure to mention model and serial numbers. Model and serial numbers are located on nameplate(s) as shown.



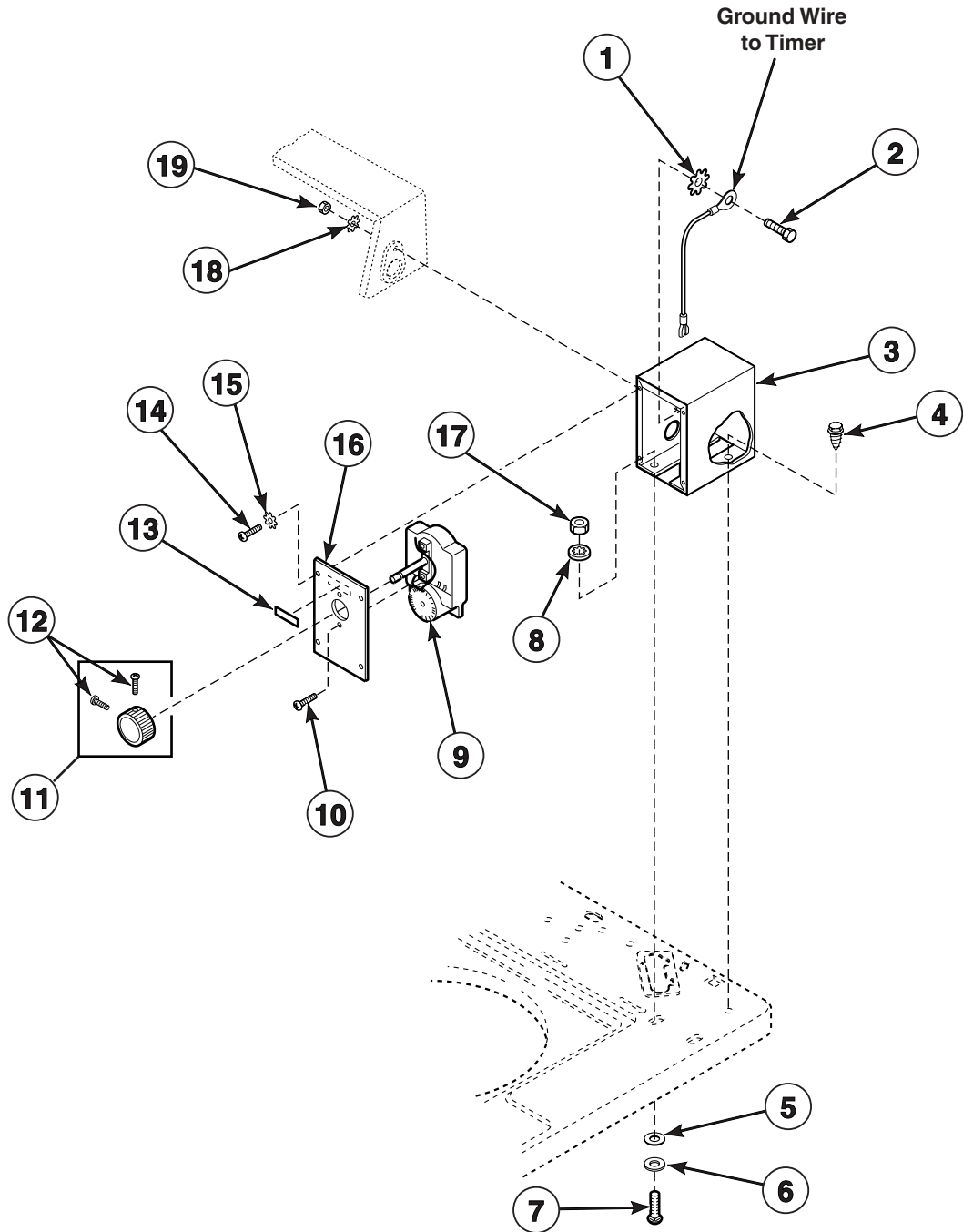
Model Identification

Information in this manual is applicable to these washer models.

EA2011-3000	EA2211-1300	ZA2111-3059
EA2011-3050	EA2211-3000	ZA2121-1102
EA2111-3000	EA2211-3066	ZA2210-1102
EA2111-3050	EA2921-3000	ZA2221-1102
EA2111-3059	EA2921-3050	ZA2221-99E4
EA2111-5400	EA2921-3059	ZA2921-1102
EA2111-5406	GA2210-1102	ZA2921-3059
EA2111-5412	ZA2011-3059	ZA2921-99E4
EA2111-5417	ZA2021-1102	
EA2211-1200	ZA2111-1102	

Timer, Case and Plate

Models EA2011-3000, EA2011-3050, ZA2011-3059 and ZA2021-1102

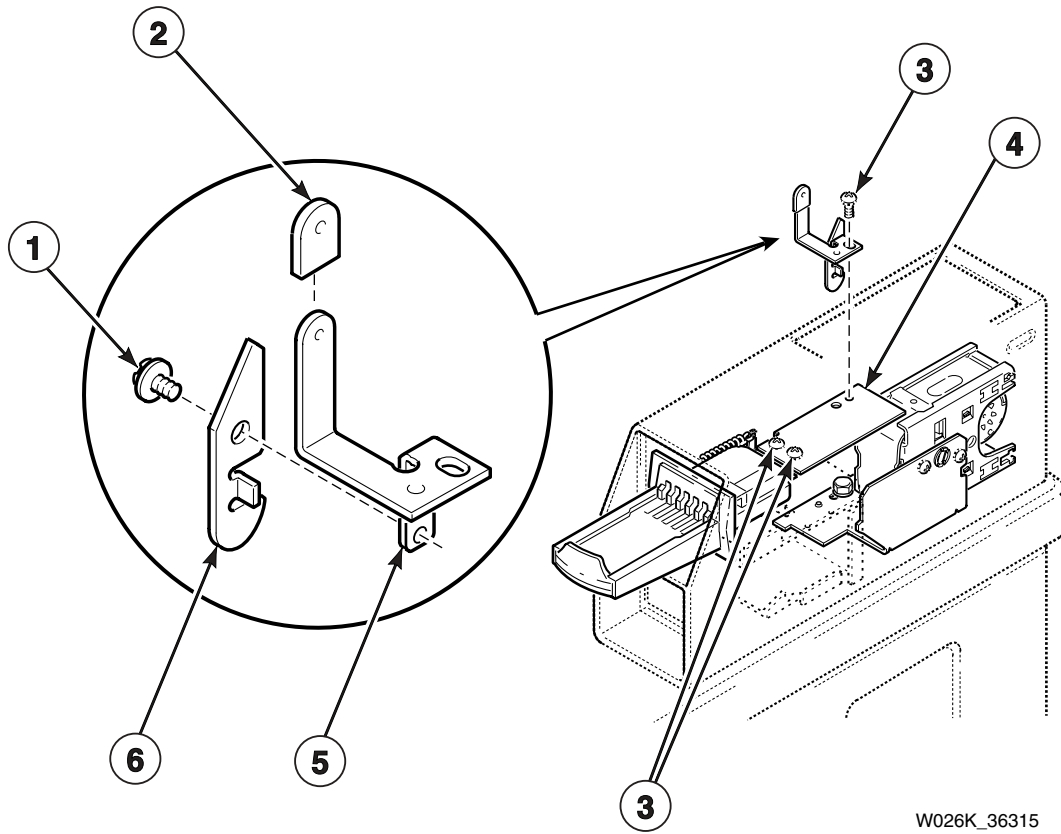


W116P_36315

Timer, Case and Plate

REF	PART NO.	DESCRIPTION	COMMENTS
1	M400017	Lockwasher	
2	02916	Screw	
3	37733W	Timer Case	
4	23962	Screw	
5	23225	Washer	
6	30627	Washer	Vinyl
7	02505	Carriage Bolt	
8	21456	Lockwasher	
9	28716	Timer Assembly	115 Volt; 60 Hertz
	28719	Timer Assembly	240 Volt; 50 Hertz
10	27328	Screw	
11	26256	Timer Knob Assembly	
12	80399	Screw	
13	53738	Push-to-Start Sticker	
14	51778	Screw	
15	21734	Lockwasher	
16	31864W	Timer Plate	
17	20275	Nut	
18	02431	Lockwasher	
19	52566	Nut	

Coin Slide Start Security Kit



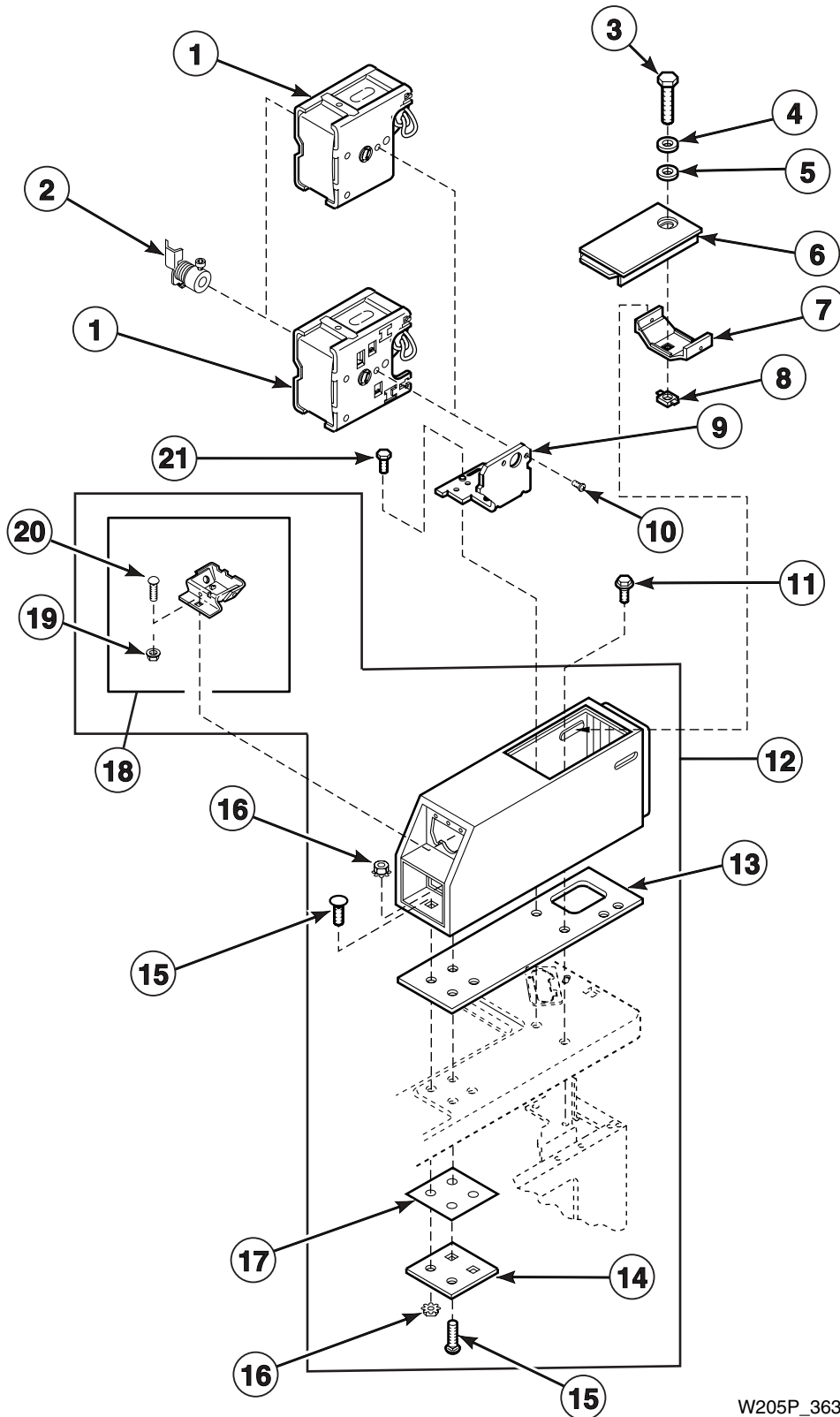
W026K_36315

Coin Slide Start Security Kit

REF	PART NO.	DESCRIPTION	COMMENTS
	552P3	Coin Slide Start Security Kit	Includes items 1, 2, 3, 4, 5 and 6
1	36166	Screw	
2	36165	Plastic Boot	
3	03950	Screw and Lockwasher	
4	501483	Slide Extension	
5	36163	Actuator Support	
6	36164	Actuator	

Timer, Meter Case and Service Door

Models EA2111-3000, EA2111-3050, EA2111-3059, EA2111-5400, EA2111-5406, EA2111-5412, EA2111-5417, EA2211-1200, EA2211-1300, EA2211-3000, EA2211-3066, GA2210-1102, ZA2111-1102, ZA2111-3059, ZA2121-1102, ZA2210-1102, ZA2221-1102 and ZA2221-99E4



W205P_36315

Timer, Meter Case and Service Door

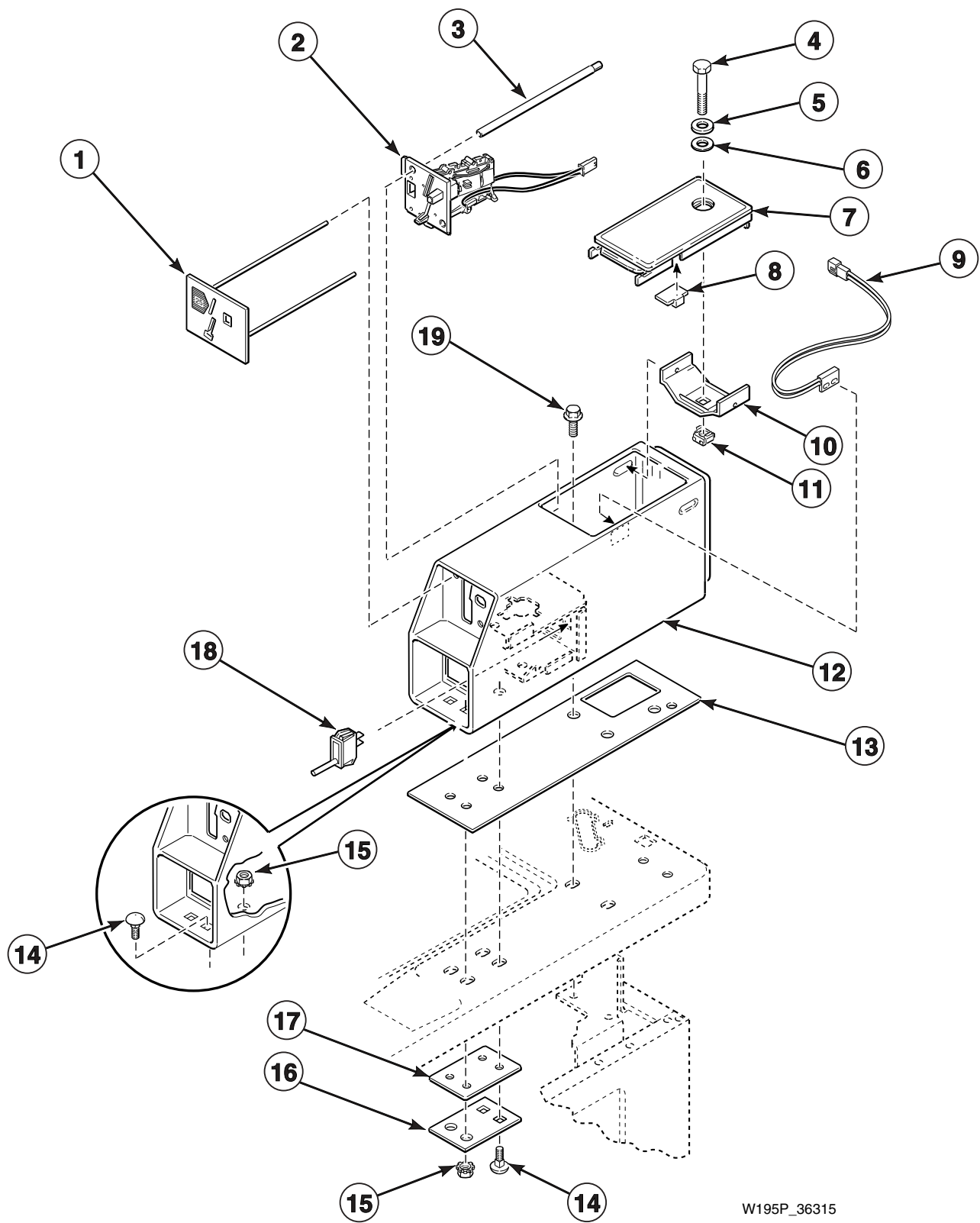
REF	PART NO.	DESCRIPTION	COMMENTS
	62113P	Counter Kit	Model ZA2221-99E4
1	31111P	Timer Assembly	115 Volt/60Hertz; Models ZA2111-1102 and ZA2121-1102
	31504P	Timer Assembly	230 Volt/50 Hertz; Models EA2111-3000, EA2111-3050, EA2111-3059 and ZA2111-3059
	34601P	Timer Assembly	115 Volt/60 Hertz; Models EA2211-1200, GA2210-1102, ZA2210-1102 and ZA2221-1102
	34602P	Timer Assembly	115 Volt/60 Hertz; Model ZA2221-99E4
	34603	Timer Assembly	230 Volt/50 Hertz; Models EA2211-3000 and EA2211-3066
	34604	Timer Assembly	100 Volt/50 Hertz; Model EA2211-1300
	35368P	Timer Assembly	230 Volt/60 Hertz; Models EA2111-5400, EA2111-5406, EA2111-5412 and EA2111-5417
	2	29503	Clutch
3	503673	Screw	
4	35917	Washer	
5	35774	Washer	Vinyl
6	35798*P	Service Door	
7	30642	Locking Bracket	
8	30647	Retainer Nut	
9	35249	Timer Bracket	
10	21720	Screw	
11	502431	Shoulder Screw	
12	524P3*	Meter Case	Includes items 13, 14, 15, 16, 17 and 18
13	26354	Meter Case Gasket	
14	35525	Bracket	
15	02505	Carriage Bolt	
16	29786	Locknut	
17	35526	Gasket	
18	523P3	Coin Funnel Kit	Includes items 19 and 20
19	29796	Nut	
20	29651	Bolt	
21	36048	Screw	

* Add Letter To Designate Color. L - Almond W - White H - Harvest Gold (no longer available)

Coin Drop, Meter Case and Service Door

Old Style Airpax Coin Drop

Models EA2921-3000, EA2921-3050, EA2921-3059, ZA2921-1102, ZA2921-3059 and ZA2921-99E4



W195P_36315

Coin Drop, Meter Case and Service Door

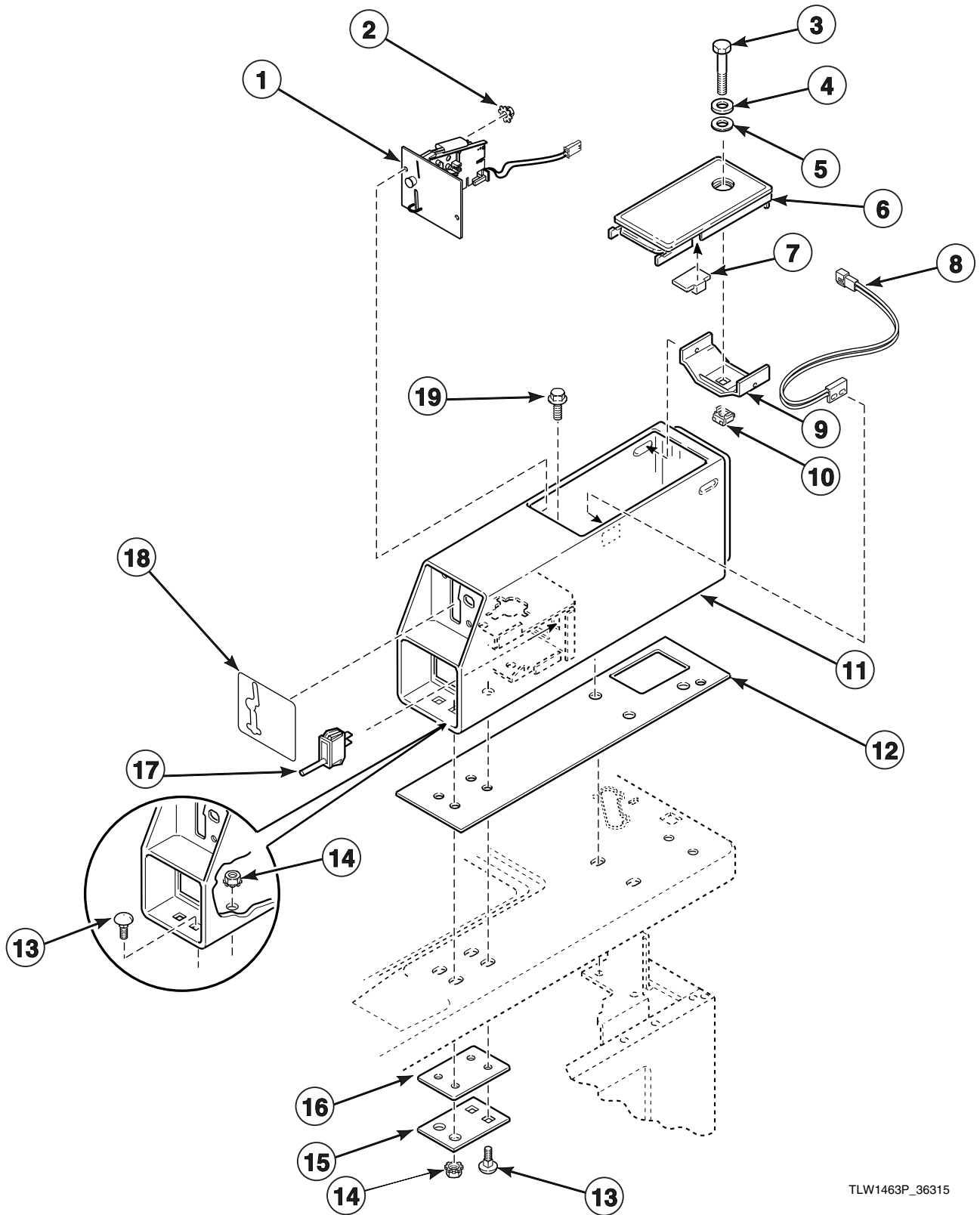
REF	PART NO.	DESCRIPTION	COMMENTS
1	501972	Coin Drop Front Plate	Australia
	501975	Coin Drop Front Plate	Belgium
	501973	Coin Drop Front Plate	Denmark
	501974	Coin Drop Front Plate	England
	501968	Coin Drop Front Plate	France
	501969	Coin Drop Front Plate	Hong Kong
	501977	Coin Drop Front Plate	South Africa
	501971	Coin Drop Front Plate	South Korea
	501976	Coin Drop Front Plate	Taiwan
	501978	Coin Drop Front Plate	Thailand
	501966	Coin Drop Front Plate	Token 118-1
	501970	Coin Drop Front Plate	Token 118-5
2	431631	Coin Drop	Australia
	M411706	Coin Drop	Belgium
	M411704	Coin Drop	Denmark
	M411605	Coin Drop	France
	M411606	Coin Drop	Hong Kong
	M411708	Coin Drop	South Africa
	M411608	Coin Drop	South Korea
	M411707	Coin Drop	Taiwan
	M411709	Coin Drop	Thailand
	M414549P	Coin Drop	Token 118-1
	M411607	Coin Drop	Token 118-5
	3	501365	Locking Rod
4	503673	Screw	
5	35917	Washer	
6	35774	Washer	Vinyl
7	35798*P	Service Door	
8	501453	Magnet	Through Serial No. 9509031143
9	34599	Switch	
10	30642	Locking Bracket	
11	30647	Retainer Nut	
12	38542*P	Meter Case	
13	26354	Gasket	
14	02505	Carriage Bolt	
15	29786	Locknut	
16	35525	Bracket	
17	35526	Gasket	
18	34536	Switch	Through Serial No. 9509031143
	504570	Switch	Starting Serial No. 9509031144
19	36048	Screw	

* Add Letter To Designate Color. L - Almond W - White H - Harvest Gold (no longer available)

Coin Drop, Meter Case and Service Door

New Style Munzprufer Coin Drop

Models EA2921-3000, EA2921-3050, EA2921-3059, ZA2921-1102, ZA2921-3059 and ZA2921-99E4



TLW1463P_36315

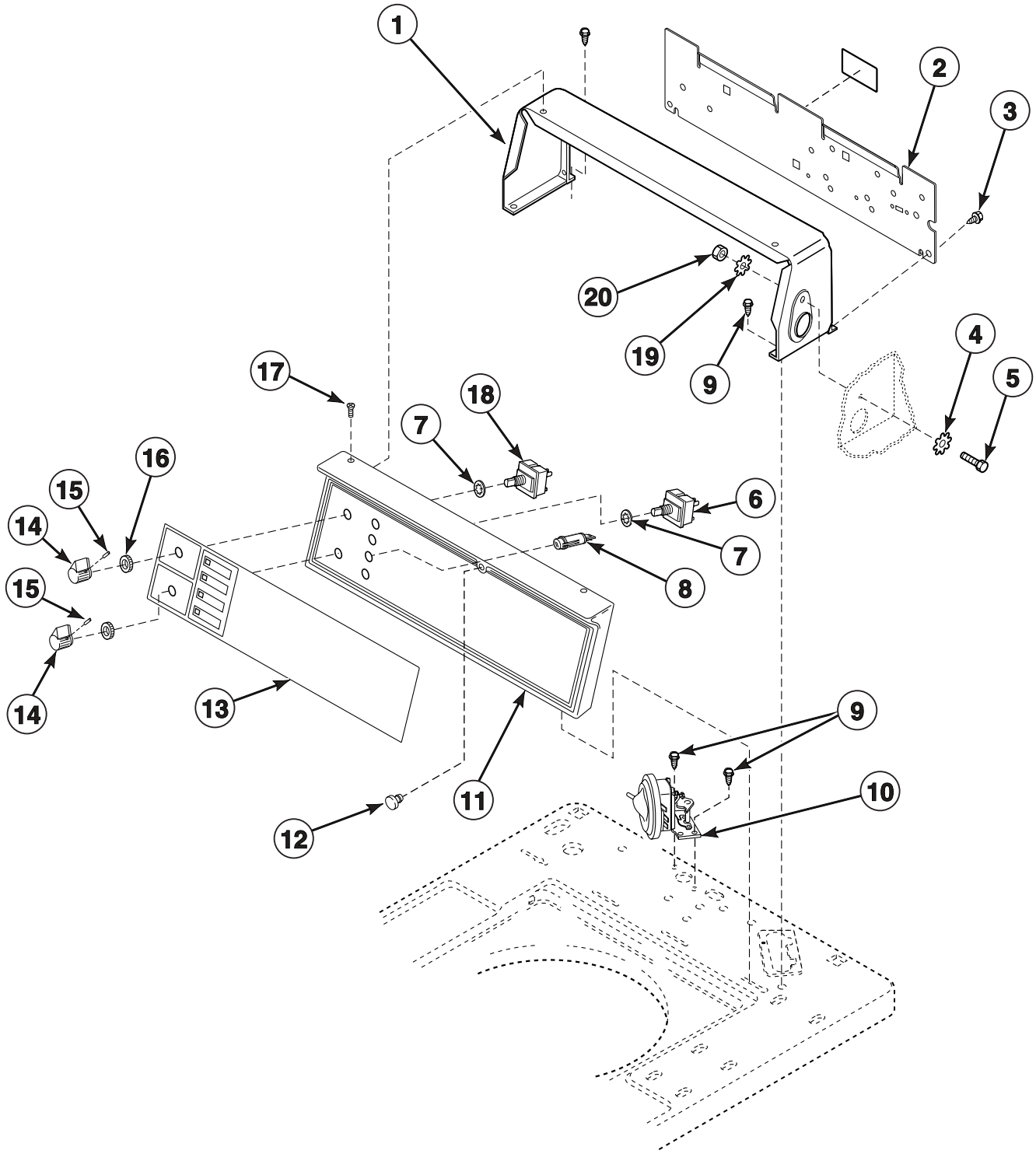
Coin Drop, Meter Case and Service Door

REF	PART NO.	DESCRIPTION	COMMENTS
1	38479	Single Coin Drop Assembly	U.S.A.; Currency \$.25
	38467	Dual Coin Drop Assembly	Australia; Currency \$.20 / \$1.00
	38469	Dual Coin Drop Assembly	Belgium; Currency 5/20 Franc
	38464	Single Coin Drop Assembly	Canada; Currency \$.25
	200578	Dual Coin Drop Assembly	Canada; Currency \$.25 / \$1.00
	38517	Dual Coin Drop Assembly	Denmark; Currency 1/5 Krone
	38472	Dual Coin Drop Assembly	England; Currency 20 Pence / 1 Pound
	38518	Dual Coin Drop Assembly	France; Currency 2/10 Franc
	38520	Dual Coin Drop Assembly	Italy; Currency 500 Lira / GET
	38519	Dual Coin Drop Assembly	Japan; Currency 100 Yen / 500 Yen
	38521	Dual Coin Drop Assembly	Korea; Currency 100 Won / 500 Won
	38522	Dual Coin Drop Assembly	New Zealand; Currency \$.20 / \$1.00
	38964	Dual Coin Drop Assembly	Taiwan; Currency 5NT / 10NT
	39157	Dual Coin Drop Assembly	Israel; Currency 1/5 Shekel
	38462	Single Coin Drop Assembly	Token; Currency STD-118-1
	38463	Single Coin Drop Assembly	Token; Currency STD-118-5
	38963	Single Coin Drop Assembly	Token; Currency STD-118-16
	2	29786	Locknut
3	503673	Screw	
4	35917	Washer	
5	35774	Washer	Vinyl
6	35798*P	Service Door	
7	501453	Magnet	Through Serial No. 9509031143
8	34599	Switch	
9	30642	Locking Bracket	
10	30647	Retainer Nut	
11	38542*P	Meter Case	
12	26354	Gasket	
13	02505	Carriage Bolt	
14	29786	Locknut	
15	35525	Bracket	
16	35526	Gasket	
17	504570	Switch	Starting Serial No. 9509031144
18	38676	Front Overlay	Use with dual coin drops
	38717	Front Overlay	Use with single coin drop; U.S.A.
	38675	Front Overlay	Use with all other single coin drops

* Add Letter To Designate Color. L - Almond W - White H - Harvest Gold (no longer available)

Control Panel, Control Hood and Controls

Models EA2011-3000, EA2011-3050, EA2111-3000, EA2111-3050, EA2111-5400, EA2111-5406, EA2111-5412, EA2111-5417, EA2211-1200, EA2211-1300, EA2211-3000, EA2211-3066, GA2210-1102, ZA2021-1102, ZA2111-1102, ZA2121-1102, ZA2210-1102, ZA2221-1102 and ZA2221-99E4



W201P_36315

Control Panel, Control Hood and Controls

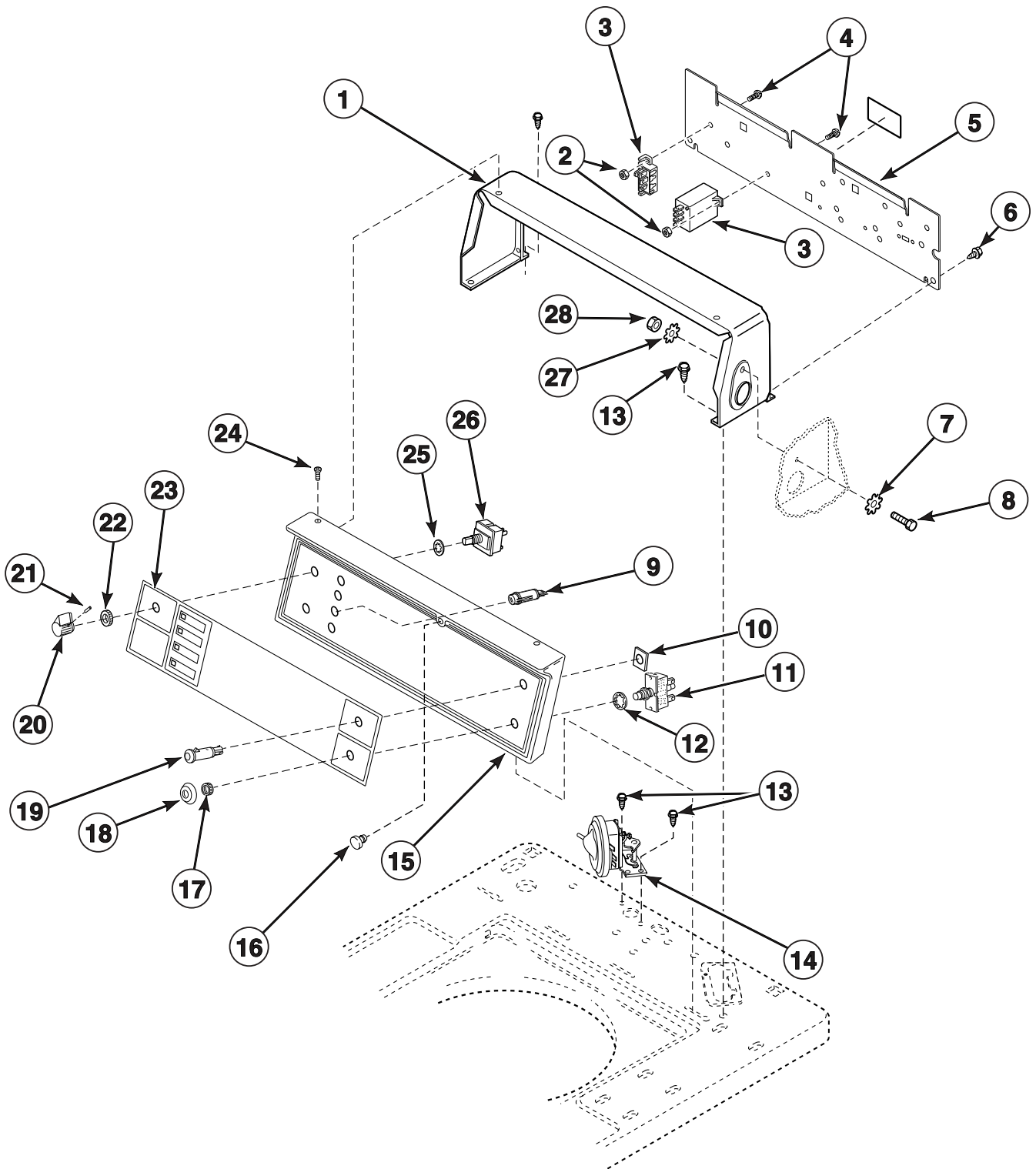
REF	PART NO.	DESCRIPTION	COMMENTS
1	37075*	Control Hood	
2	38267	Control Hood Rear Panel	
3	23222	Screw	
4	M400017	Lockwasher	
5	02916	Screw	
6	27762	Cycle Selector Switch	Two speed models
7	91176	Lockwasher	
8	32463	Indicator Light	Unbalanced Load; 120 Volt
	32466	Indicator Light	In Use; 120 Volt
	32464	Indicator Light	Rinse/Spin; 120 Volt
	32518	Indicator Light	Unbalanced Load; 250 Volt
	38281	Indicator Light	In Use; 250 Volt
	32519	Indicator Light	Rinse/Spin; 250 Volt
9	23962	Screw	
10	35889	Pressure Switch	
11	36521*	Control Panel Frame	
12	32648	Bumper	
13	35681	Control Panel Overlay	Models EA2111-5406, EA2111-5412 and EA2111-5417
	34312	Control Panel Overlay	Model GA2210-1102
	35960	Control Panel Overlay	Models ZA2021-1102, ZA2121-1102, ZA2221-1102 and ZA2221-99E4
	35961	Control Panel Overlay	Models ZA2111-1102 and ZA2210-1102
	32460	Control Panel Overlay	All other models
14	39897	Control Knob	
15	N/A	Setscrew	
16	24205	Knurled Nut	
17	500226	Screw	Phillips head
	35528	Screw	Torx head; Refer to <i>Special Tools</i> section for Torx Bit and Holder Tool
18	81799	Wash Temperature Switch	
19	02431	Lockwasher	
20	52566	Locknut	

* Add Letter To Designate Color. L - Almond W - White H - Harvest Gold (no longer available)

N/A = Part no longer available

Control Panel, Control Hood and Controls

Models EA2111-3059, ZA2011-3059 and ZA2111-3059



W202P_36315

Control Panel, Control Hood and Controls

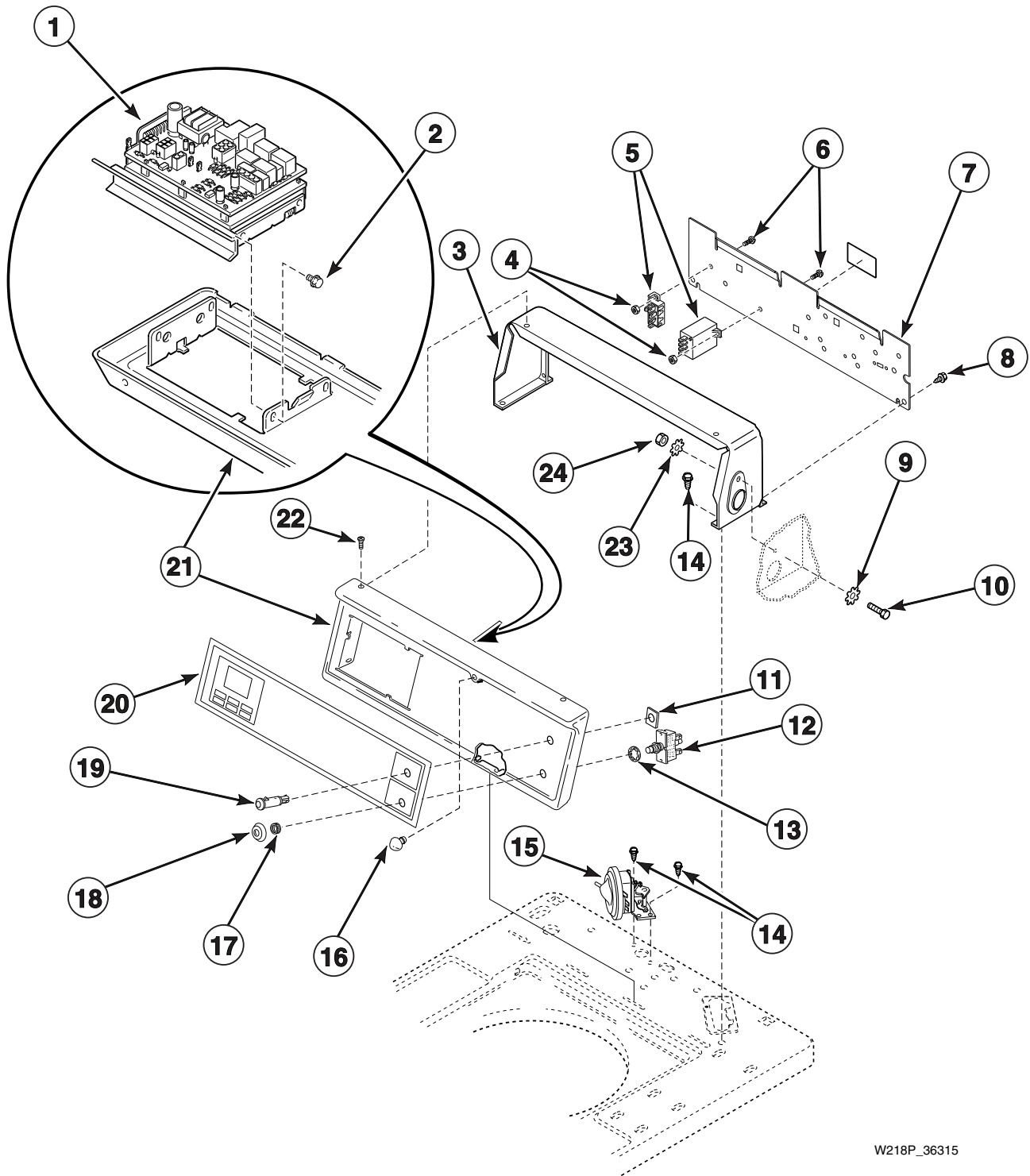
REF	PART NO.	DESCRIPTION	COMMENTS
1	37075*	Control Hood	
2	02788	Nut	
3	598P3	Electric Lid Lock Kit	
4	N/A	Screw	
5	38267	Control Hood Rear Panel	
6	23222	Screw	
7	M400017	Lockwasher	
8	02916	Screw	
9	32518	Indicator Light	Unbalanced Load
	32519	Indicator Light	Rinse/Spin
	38281	Indicator Light	In Use
10	34762	Push-On Clip	
11	55882	Push Button Switch	
12	52947	Nut	
13	23962	Screw	
14	35889	Pressure Switch	
15	36521*	Control Panel Frame	
16	32648	Bumper	
17	24206	Knurled Nut	
18	N/A	Switch Collar	
19	39536	Indicator Light	Lid Switch
20	39897	Control Knob	
21	N/A	Setscrew	
22	24205	Knurled Nut	
23	32549	Control Panel Overlay	Model EA2111-3059
	35716	Control Panel Overlay	Models ZA2011-3059 and ZA2111-3059
24	500226	Screw	Phillips head
	35528	Screw	Torx head; Refer to <i>Special Tools</i> section for Torx Bit and Holder Tool
25	91176	Lockwasher	
26	81799	Wash Temperature Switch	
27	02431	Lockwasher	
28	52566	Locknut	

* Add Letter To Designate Color. L - Almond W - White H - Harvest Gold (no longer available)

N/A = Part no longer available

Control Panel, Control Hood and Controls

Models EA2921-3059 and ZA2921-3059



W218P_36315

Control Panel, Control Hood and Controls

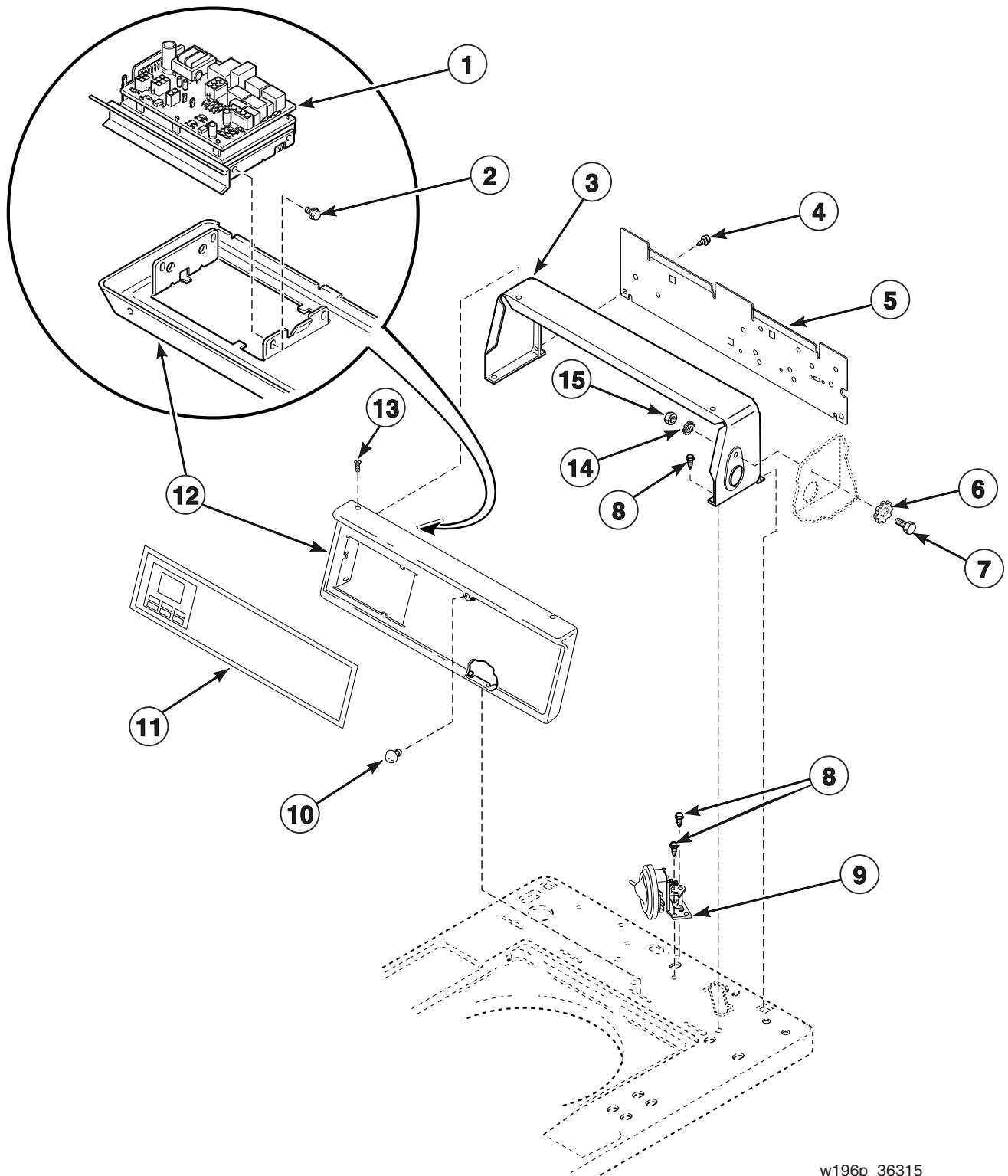
REF	PART NO.	DESCRIPTION	COMMENTS
1	36401P	Control and Shield	
2	501524	Screw	
3	37075*	Control Hood	
4	02788	Nut	
5	598P3	Electric Lid Lock Kit	
6	N/A	Screw	
7	38267	Control Hood Rear Panel	
8	23222	Screw	
9	M400017	Lockwasher	
10	02916	Cap Screw	
11	34762	Push-On Clip	
12	55882	Push Button Switch	
13	52947	Nut	
14	23962	Screw	
15	35889	Pressure Switch	
16	32648	Bumper	
17	24206	Knurled Nut	
18	N/A	Switch Collar	
19	39536	Indicator Light	Lid Switch
20	N/A	Control Panel Overlay	
21	N/A	Control Panel Frame	
22	500226	Screw	Phillips head
	35528	Screw	Torx head; Refer to <i>Special Tools</i> section for Torx Bit and Holder Tool
23	02431	Lockwasher	
24	52566	Locknut	

* Add Letter To Designate Color. L - Almond W - White H - Harvest Gold (no longer available)

N/A = Part no longer available

Control Panel, Control Hood and Controls

Models EA2921-3000, EA2921-3050, ZA2921-1102 and ZA2921-99E4



w196p_36315

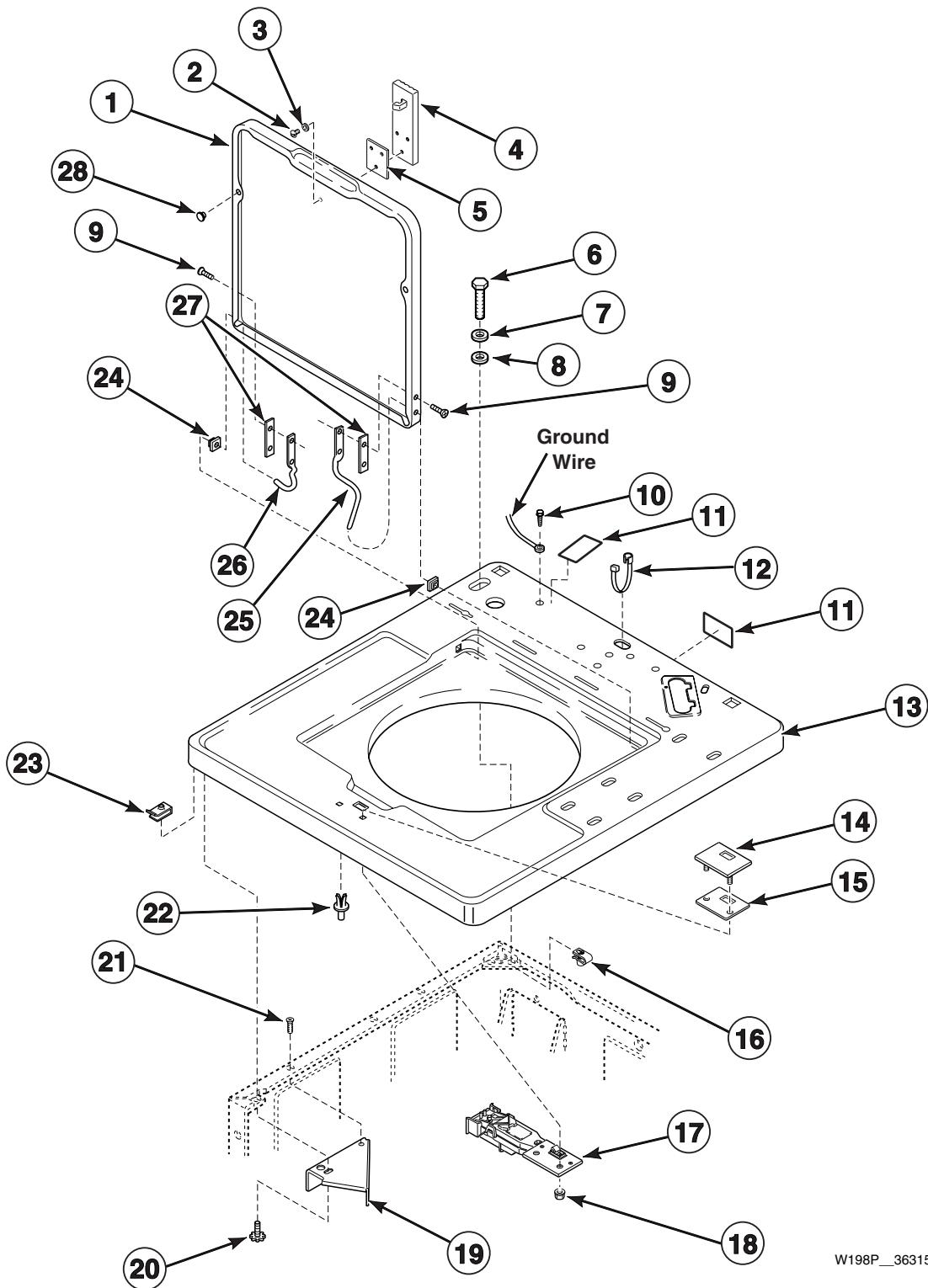
Control Panel, Control Hood and Controls

REF	PART NO.	DESCRIPTION	COMMENTS
1	38188P	Control and Shield	Model EA2921-3050
	36401P	Control and Shield	All other models
2	501524	Screw	
3	37075*	Control Hood	
4	23222	Screw	
5	38267	Control Hood Rear Panel	
6	M400017	Lockwasher	
7	02916	Cap Screw	
8	23962	Screw	
9	35889	Pressure Switch	
10	32648	Bumper	
11	36390	Control Panel Overlay	Models ZA2921-1102 and ZA2921-99E4
	39096	Control Panel Overlay	All other models
12	36097*	Control Panel Frame	
13	500226	Screw	Phillips head
	35528	Screw	Torx head; Refer to <i>Special Tools</i> section for Torx Bit and Holder Tool
14	02431	Lockwasher	
15	52566	Locknut	

* Add Letter To Designate Color. L - Almond W - White H - Harvest Gold (no longer available)

Cabinet Top, Loading Door and Lid Lock

Models EA2111-3059, EA2921-3059, ZA2011-3059, ZA2111-3059 and ZA2921-3059



W198P_36315

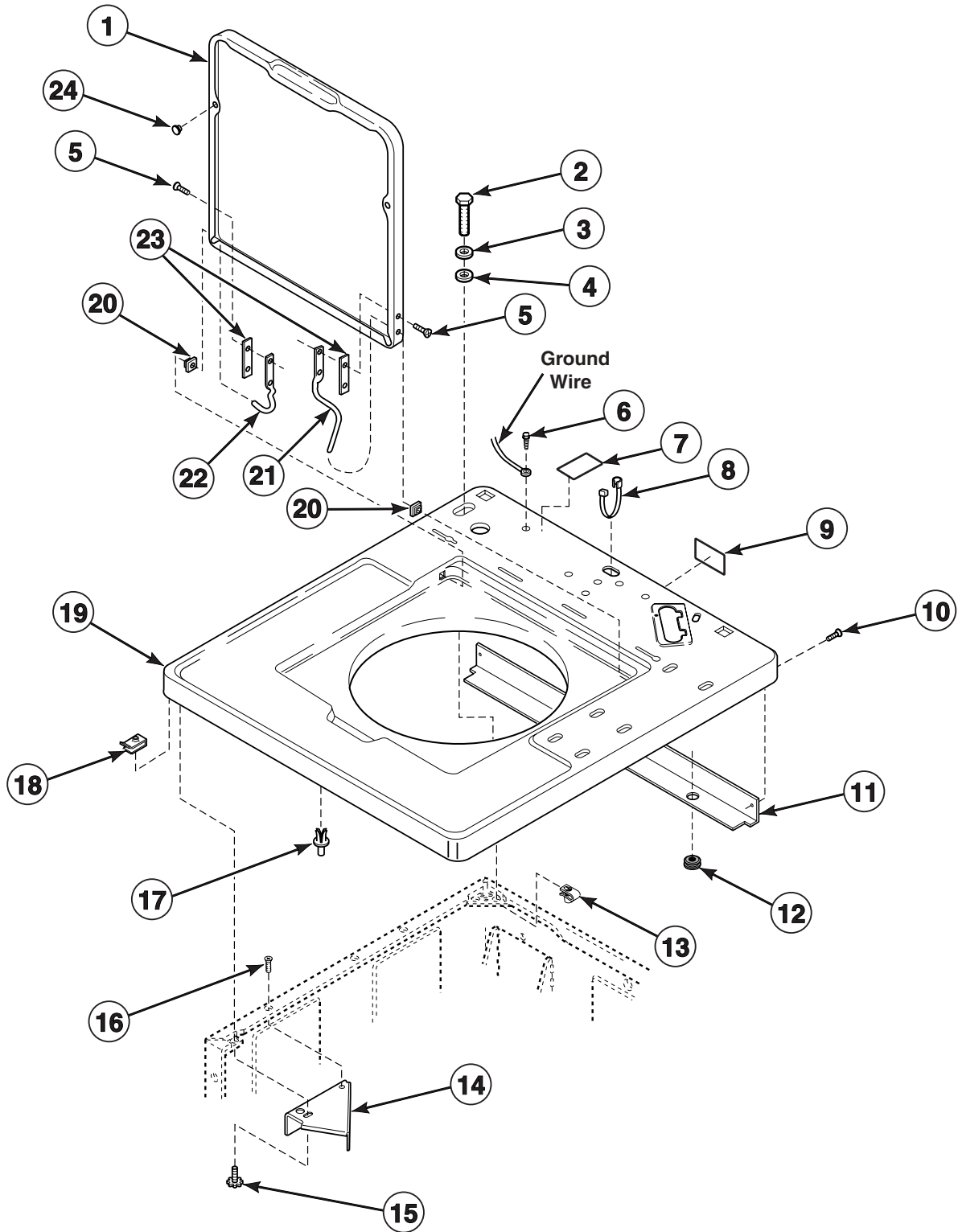
Cabinet Top, Loading Door and Lid Lock

REF	PART NO.	DESCRIPTION	COMMENTS
1	N/A	Loading Door	
2	Q6695	Screw	
3	21643	Washer	
4	29674	Latch	
5	29677	Gasket	
6	503673	Screw	Optional; For added security
7	35917	Washer	Metal; Optional; For added security
8	35774	Washer	Plastic; Optional; For added security
9	34337	Screw	
10	23962	Screw	
11	24903	Sticker	
12	10382	Strain Relief	
13	N/A	Cabinet Top	
14	29676	Mounting Plate	
15	30378	Gasket	
16	27222	Retainer Nut	Optional; For added security
17	29678	Lid Lock	
18	22001	Nut	
19	36034	Director Bracket	
20	23008	Screw and Lockwasher	
21	N/A	Screw	
22	56534	Support	
23	36020	Speed Nut	
24	36474	Bushing	
25	36437	Hinge	Right
26	36438	Hinge	Left
27	34338	Gasket	
28	21685	Bumper	

N/A = Part no longer available

Cabinet Top, Loading Door and Shield

All Models Except EA2111-3059, EA2921-3059, ZA2011-3059, ZA2111-3059 and ZA2921-3059



W199P_36315

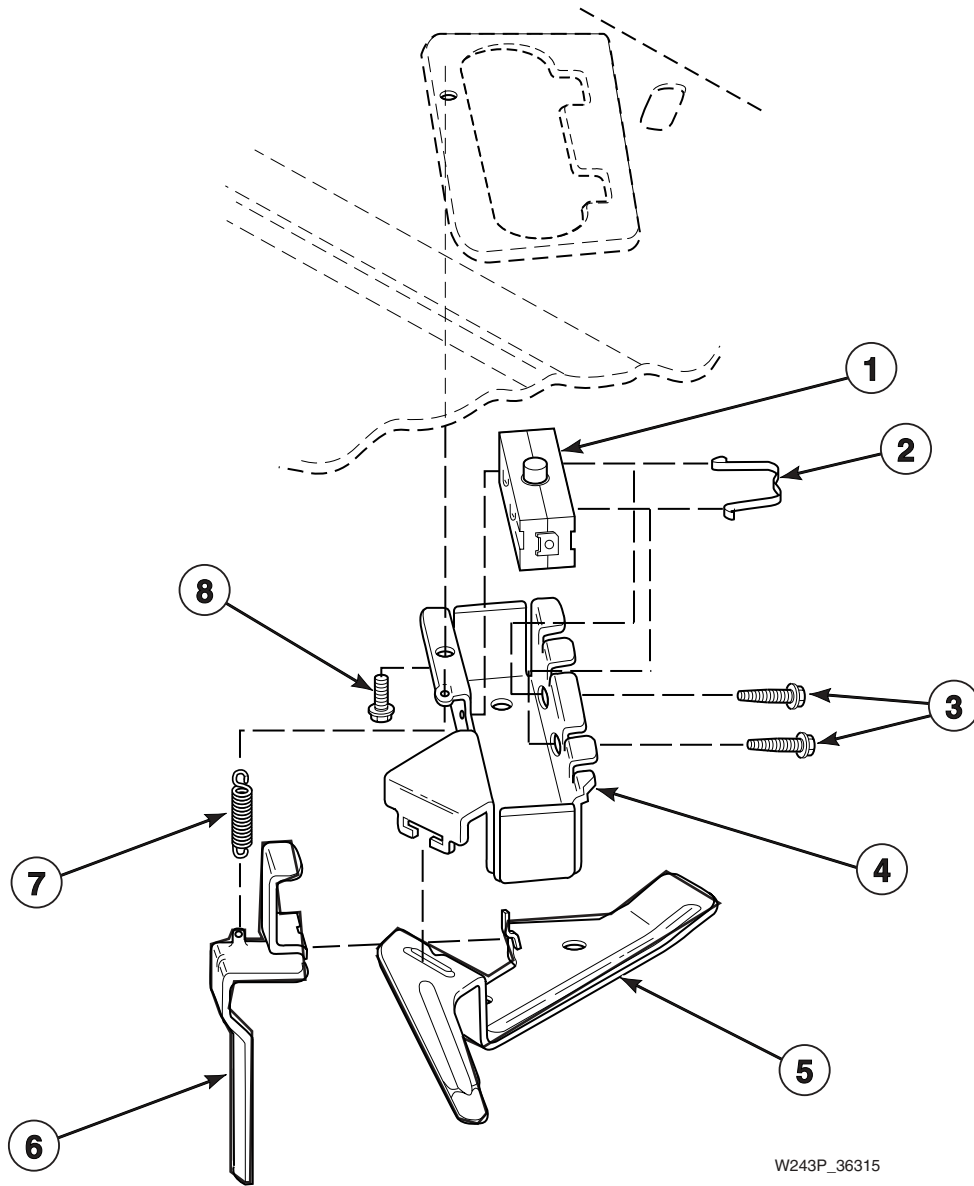
Cabinet Top, Loading Door and Shield

REF	PART NO.	DESCRIPTION	COMMENTS
	34153	Plug	
1	39233*P	Loading Door	
2	503673	Screw	Optional; For added security
3	35917	Washer	Metal; Optional; For added security
4	35774	Washer	Plastic; Optional; For added security
5	34337	Screw	
6	23962	Screw	
7	500314	Sticker	Models GA2210-1102, ZA2021-1102, ZA2121-1102, ZA2210-1102, ZA2221-1102, ZA2221-99E4 and ZA2921-1102
	24903	Sticker	All other models
8	38384	Strain Relief	Models EA2011-3050, EA2111-3050, EA2211-1200, EA2211-1300, EA2921-3050, GA2210-1102, ZA2021-1102, ZA2111-1102, ZA2121-1102, ZA2210-1102, ZA2221-1102, ZA2221-99E4 and ZA2921-1102
	10382	Strain Relief	All other models
9	500316	Sticker	Models GA2210-1102, ZA2021-1102, ZA2121-1102, ZA2210-1102, ZA2221-1102, ZA2221-99E4, ZA2921-1102 and ZA2921-99E4
	24903	Sticker	All other models
10	27196	Screw	Models ZA2021-1102, ZA2111-1102, ZA2121-1102, ZA2210-1102, ZA2221-1102, ZA2221-99E4, ZA2921-1102 and ZA2921-99E4
11	39744	Shield	Models ZA2021-1102, ZA2111-1102, ZA2121-1102, ZA2210-1102, ZA2221-1102, ZA2221-99E4, ZA2921-1102 and ZA2921-99E4
12	80262	Grommet	Models ZA2021-1102, ZA2111-1102, ZA2121-1102, ZA2210-1102, ZA2221-1102, ZA2221-99E4, ZA2921-1102 and ZA2921-99E4
13	27222	Retainer Nut	Optional; For added security
14	36034	Director Bracket	
15	23008	Screw and Lockwasher	
16	N/A	Screw	
17	56534	Support	
18	36020	Nut	
19	N/A	Cabinet Top	Metered Models; Painted
	36122*P	Cabinet Top	Metered Models; Porcelain
	36273*P	Cabinet Top	Nonmetered Models; Porcelain
20	33446	Bushing	Painted
	36474	Bushing	Porcelain
21	36437	Hinge	Right
22	36438	Hinge	Left
23	34338	Gasket	
24	21685	Bumper	

* Add Letter To Designate Color. L - Almond W - White H - Harvest Gold (no longer available)

N/A = Part no longer available

Out-of-Balance Switch

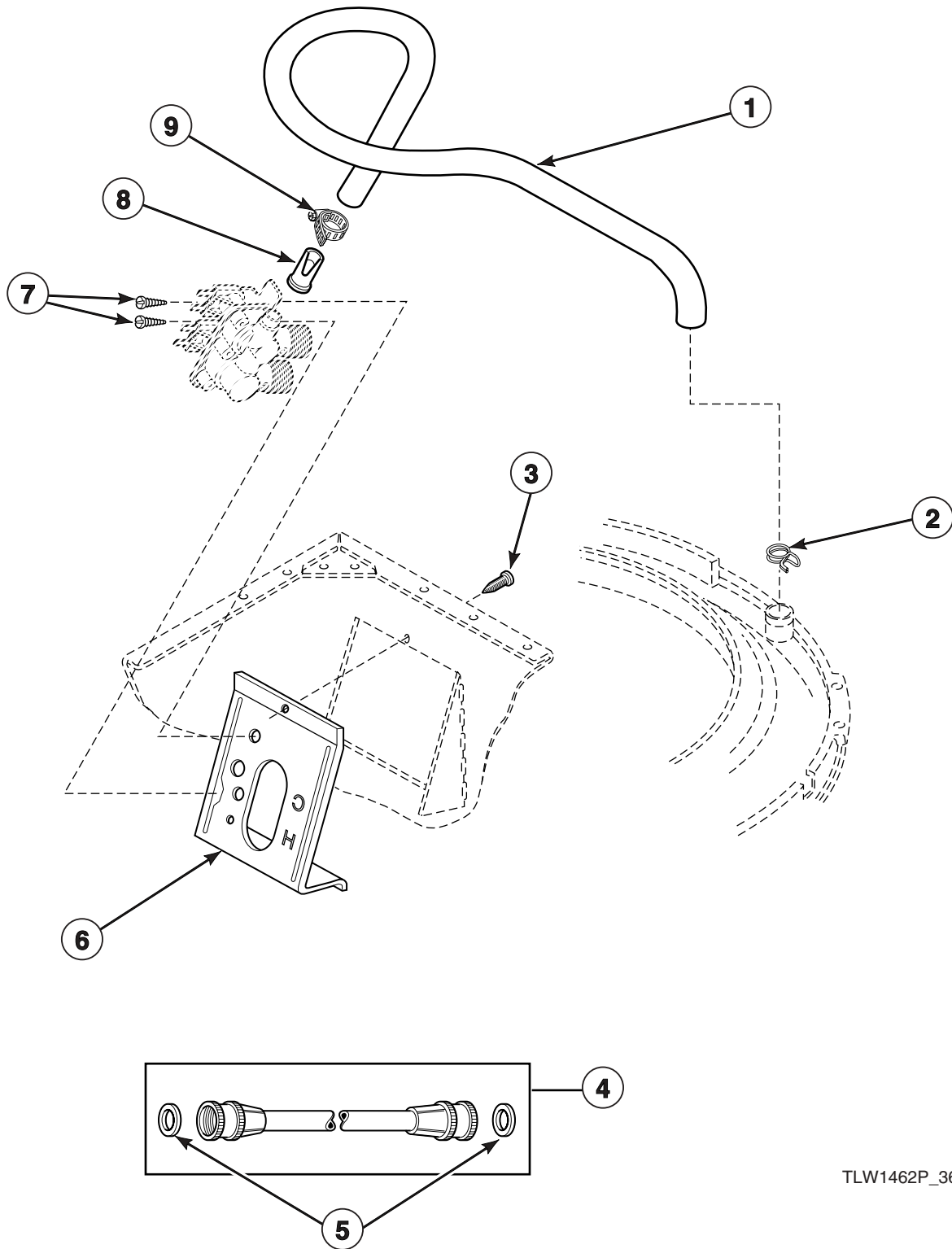


W243P_36315

Out-of-Balance Switch

REF	PART NO.	DESCRIPTION	COMMENTS
1	33445	Switch	Models EA2921-3000, EA2921-3050, EA2921-3059, ZA2921-1102, ZA2921-3059 and ZA2921-99E4
	33527	Switch	All other models
2	33433	Clip	
3	36510	Screw	
4	36497P	Switch Holder Kit	
5	33441	Actuator Arm	
6	33442	Lever	
7	33443	Spring	
8	23962	Screw	

Inlet Hose, Fill Hose, Mixing Valve Mounting Bracket

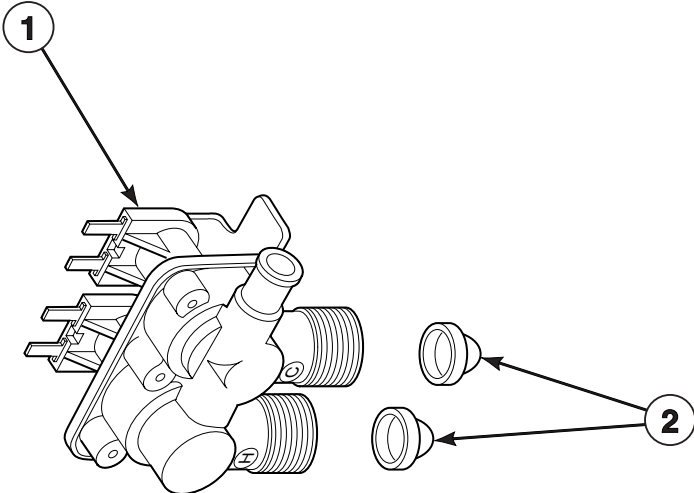


TLW1462P_36315

Inlet Hose, Fill Hose, Mixing Valve Mounting Bracket

REF	PART NO.	DESCRIPTION	COMMENTS
1	38155	Fill Hose	
2	29210	Hose Clamp	
3	33562	Screw	
4	28330P	Inlet Hose	4 foot; Hose is equipped with 2 standard hose couplings; Includes item 5
	38349P	Inlet Hose	5 foot; Hose is equipped with 1 metric and 1 standard hose coupling; Includes item 5
	37380	Inlet Hose	8 foot; Hose is equipped with 1 metric and 1 standard hose coupling
	37381	Inlet Hose	10 foot; Hose is equipped with 1 metric and 1 standard hose coupling
5	20290	Washer	
6	39407	Mixing Valve Mounting Bracket	
7	23962	Screw	
8	34500	Backflow Preventer	
9	36801	Hose Clamp	

Mixing Valve Assembly



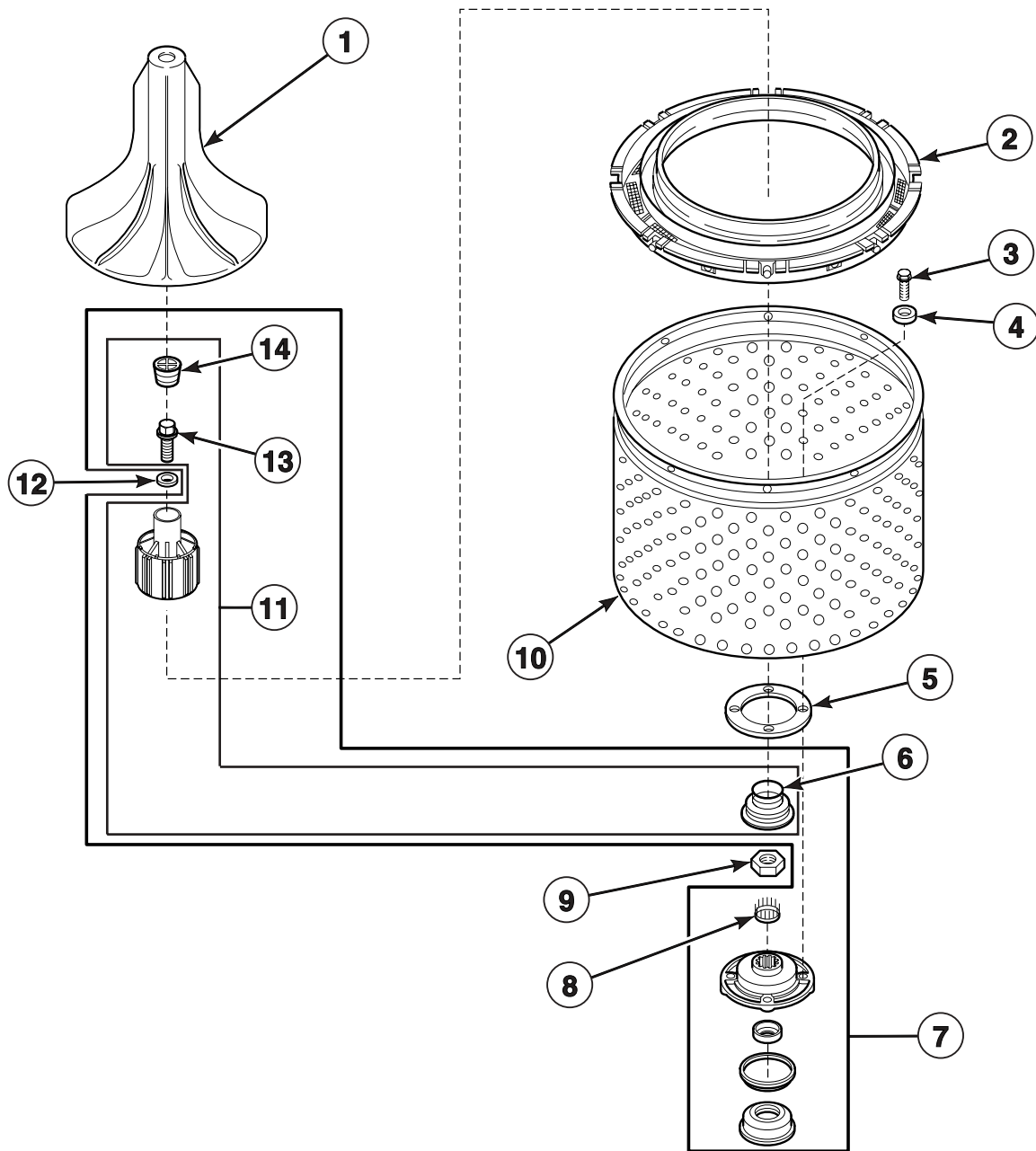
W284P_36315

Mixing Valve Assembly

REF	PART NO.	DESCRIPTION	COMMENTS
	34963A	Coil	Use with 34963 Mixing Valve
1	34963P	Mixing Valve	Models EA2211-1200, EA2211-1300, GA2210-1102, ZA2021-1102, ZA2111-1102, ZA2121-1102, ZA2210-1102, ZA2221-1102, ZA2221-99E4, ZA2921-1102 and ZA2921-99E4
	N/A	Mixing Valve	Models EA2111-3059, EA2921-3059, ZA2011-3059, ZA2111-3059 and ZA2921-3059
	34997P	Mixing Valve	All other models
2	F270200	Inlet Screen	

N/A = Part no longer available

Agitator, Drive Bell, Seal Kit, Washtub and Hub

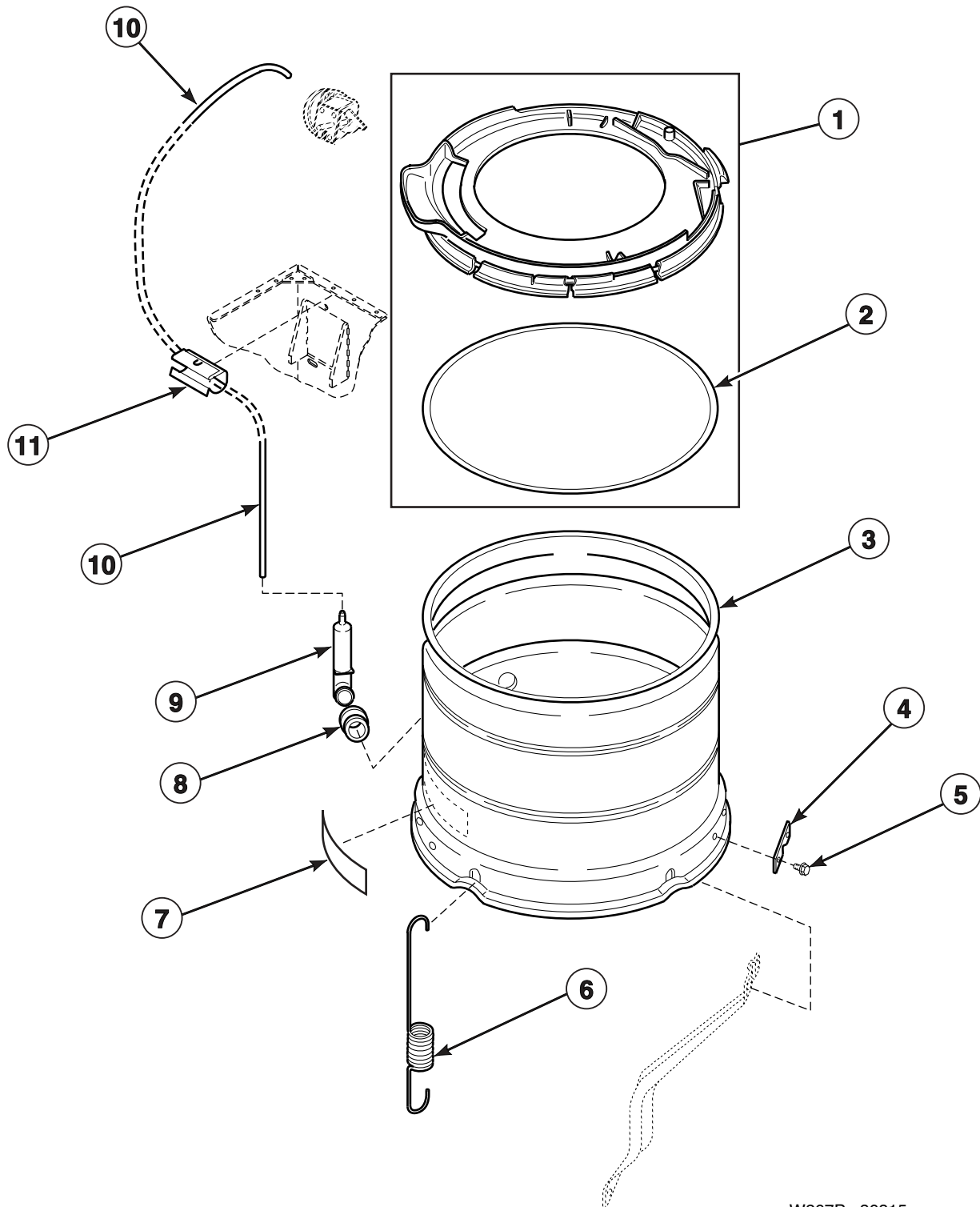


W227P_36315

Agitator, Drive Bell, Seal Kit, Washtub and Hub

REF	PART NO.	DESCRIPTION	COMMENTS
1	33513	Agitator	
2	32990	Clothes Guard	
3	27202	Cap Screw	
4	28094	Gasket	
5	39122	Gasket	
6	36425	Seal	
7	495P3	Hub and Seal Kit	Includes 32857 Cover basket, item 8 & item 11
8	29728	Splined Insert	
9	29220	Locknut	
10	39252P	Washtub	Porcelain
	39387P	Washtub	Stainless Steel
11	39508	Drive Bell and Seal Kit	Includes items 6, 13 & 14
12	36472	O-Ring	
13	39432	Shoulder Screw	
14	36511	Plug	

Outer Tub, Cover and Pressure Hose

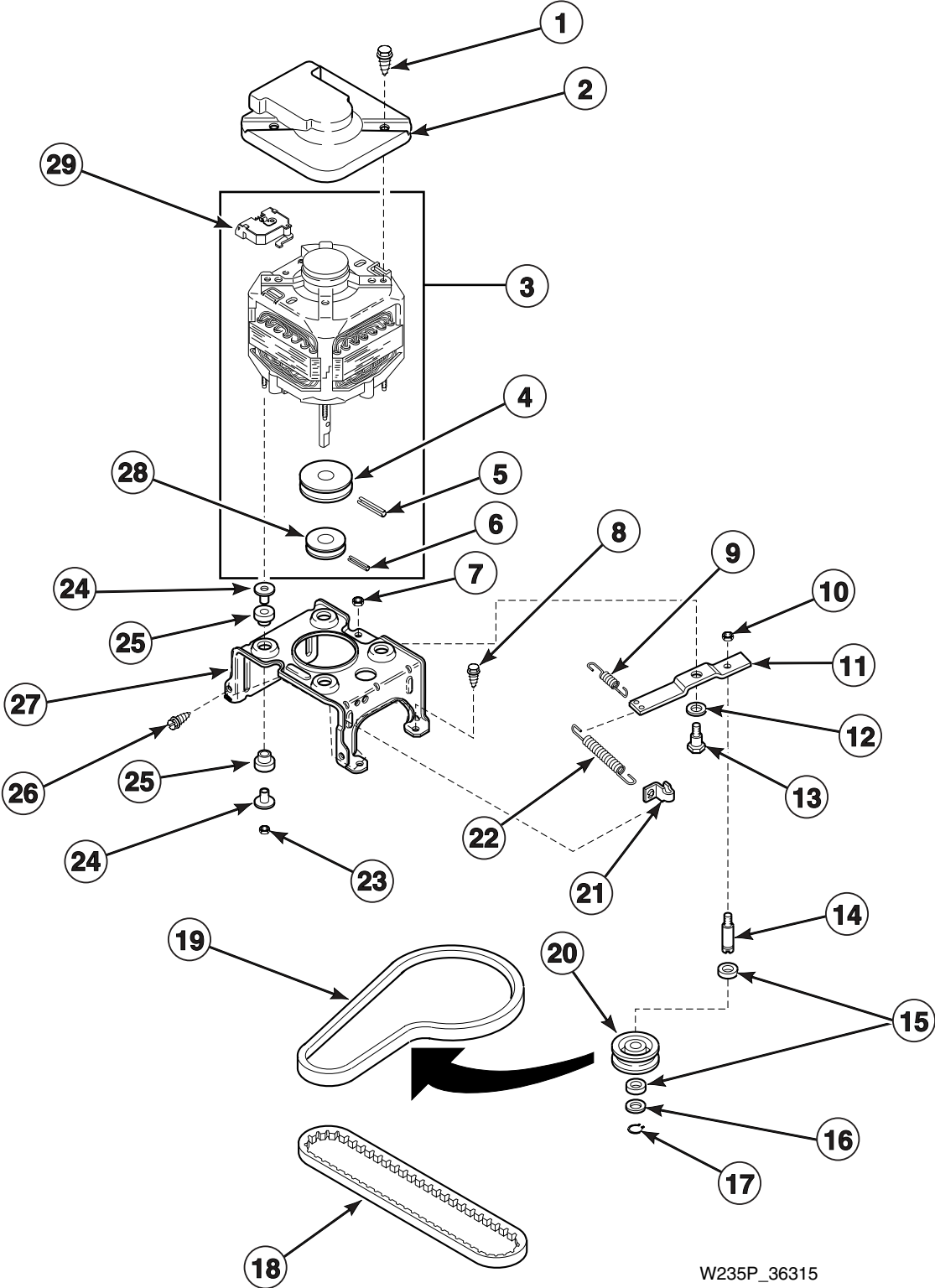


W267P_36315

Outer Tub, Cover and Pressure Hose

REF	PART NO.	DESCRIPTION	COMMENTS
1	36025P	Outer Tub Cover	Includes Item 2
2	32857	Gasket	
3	34439P	Outer Tub	
4	27926	Leg Plate	
5	35369	Screw	
6	35947	Centering Spring	
7	500049	Sticker	
8	29175	Grommet	
9	30907	Pressure Bulb	
10	39125	Pressure Hose	Models EA2921-3000, EA2921-3050, EA2921-3059, ZA2921-1102, ZA2921-3059 and ZA2921-99E4
	39124	Pressure Hose	All other models
11	36985	Clip	

Motor, Mounting Bracket, Belts and Idler Assembly



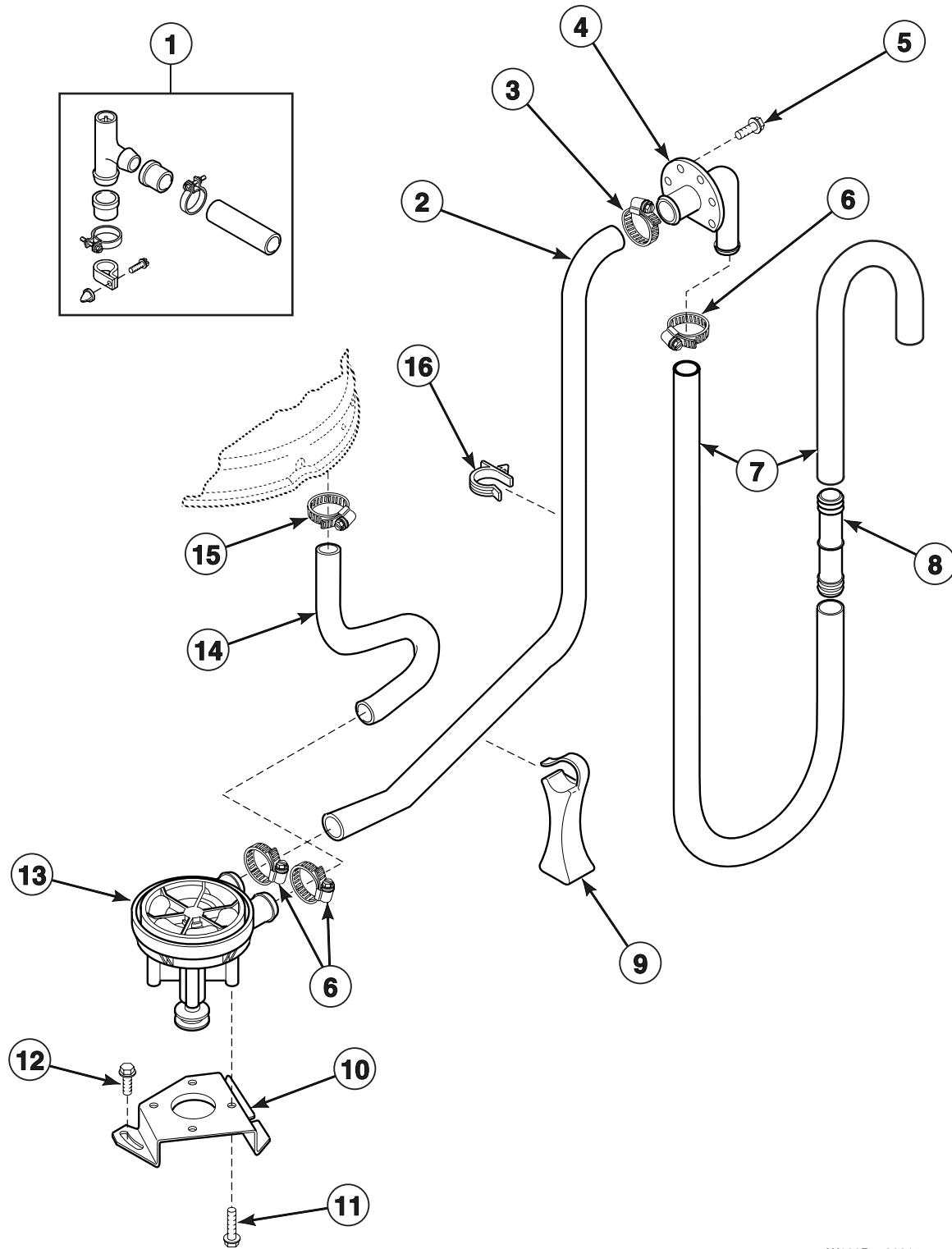
W235P_36315

Motor, Mounting Bracket, Belts and Idler Assembly

REF	PART NO.	DESCRIPTION	COMMENTS
1	36639	Screw	
2	34754	Motor Shield	
3	35486P	Motor Assembly	1 Speed; 120 Volt/60 Hertz
	35555P	Motor Assembly	1 Speed; 240 Volt/50 Hertz
	35559P	Motor Assembly	1 Speed; 115 Volt/50 Hertz; Includes capacitor
	28203P	Motor Assembly	1 Speed; 100 Volt/60 Hertz; Includes capacitor
	35561	Motor Assembly	1 Speed; 240 Volt/60 Hertz
	35485P	Motor Assembly	2 Speed; 120 Volt/60 Hertz
	36381P	Motor Assembly	2 Speed; 240 Volt/50 Hertz
4	N/A	Motor Pulley	
5	N/A	Roll Pin	
6	10416	Roll Pin	
7	52566	Locknut	
8	503661	Screw	
9	30620	Helper Spring	
10	28803	Locknut	
11	31054	Idler Lever	
12	81392	Washer	
13	27229	Shoulder Bolt	
14	28802	Idler Shaft	
15	29443	Washer	Felt
16	52549	Washer	Nylatron
17	23748	Retainer Ring	
18	27155	Belt	Pump; 60 Hertz
	28043	Belt	Pump; 50 Hertz
19	28808	Belt	Agitate and Spin; 60 Hertz
	35517	Belt	Agitate and Spin; 50 Hertz
20	28800	Idler Pulley	
21	28849	Clip	
22	37366	Spring	
23	35423	Nut	
24	34791	Motor Mount Post	
25	34788	Motor Mount	
26	503661	Screw	
27	N/A	Mounting Bracket	
28	27104	Motor Pulley	60 Hertz
29	35632	Motor Switch	

N/A = Part no longer available

Pump Assembly, Bracket, Hoses and Siphon Break Kit

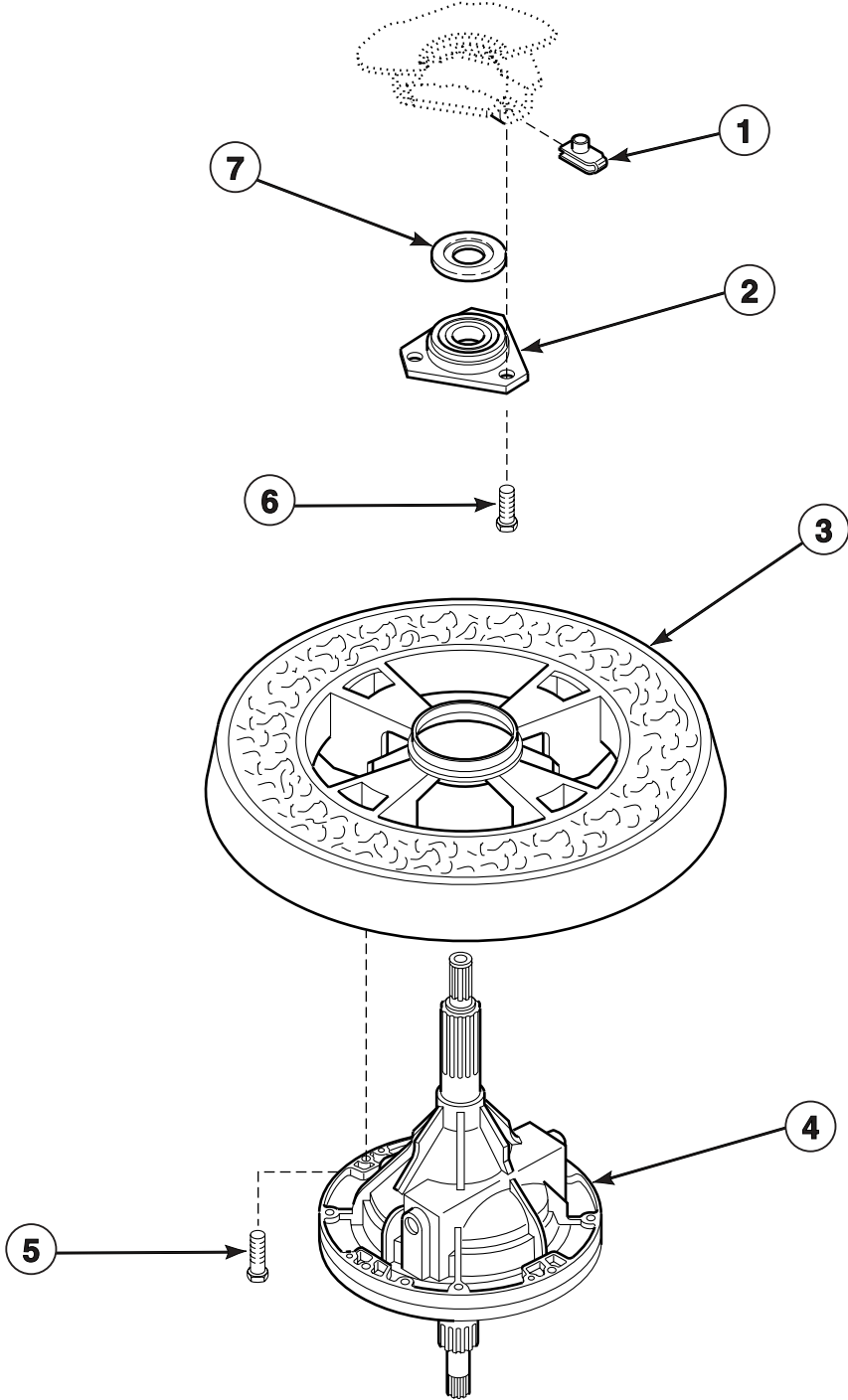


W192P_36315

Pump Assembly, Bracket, Hoses and Siphon Break Kit

REF	PART NO.	DESCRIPTION	COMMENTS
1	562P3	Siphon Break Kit	Kit must be installed in drain hose if drain receptacle is lower than cabinet top of washer
2	27161	Pump-to-Elbow Hose	
3	20391	Hose Clamp	
4	35766	Drain Hose Elbow	
5	52909	Screw	
6	20211	Hose Clamp	
7	28293	Drain Hose	
8	25863	Hose Coupler	Use to splice drain hose if hose must be shortened. Cut hose between molded end and molded elbow.
9	35487	Hose Support	
10	35162	Mounting Bracket	
11	31098	Screw	
12	503661	Screw	
13	31969	Pump Assembly	Includes item 11
14	35754	Tub-to-Pump Hose	
15	36802	Hose Clamp	
16	36014	Hose Clip	

Transmission Assembly and Balance Ring



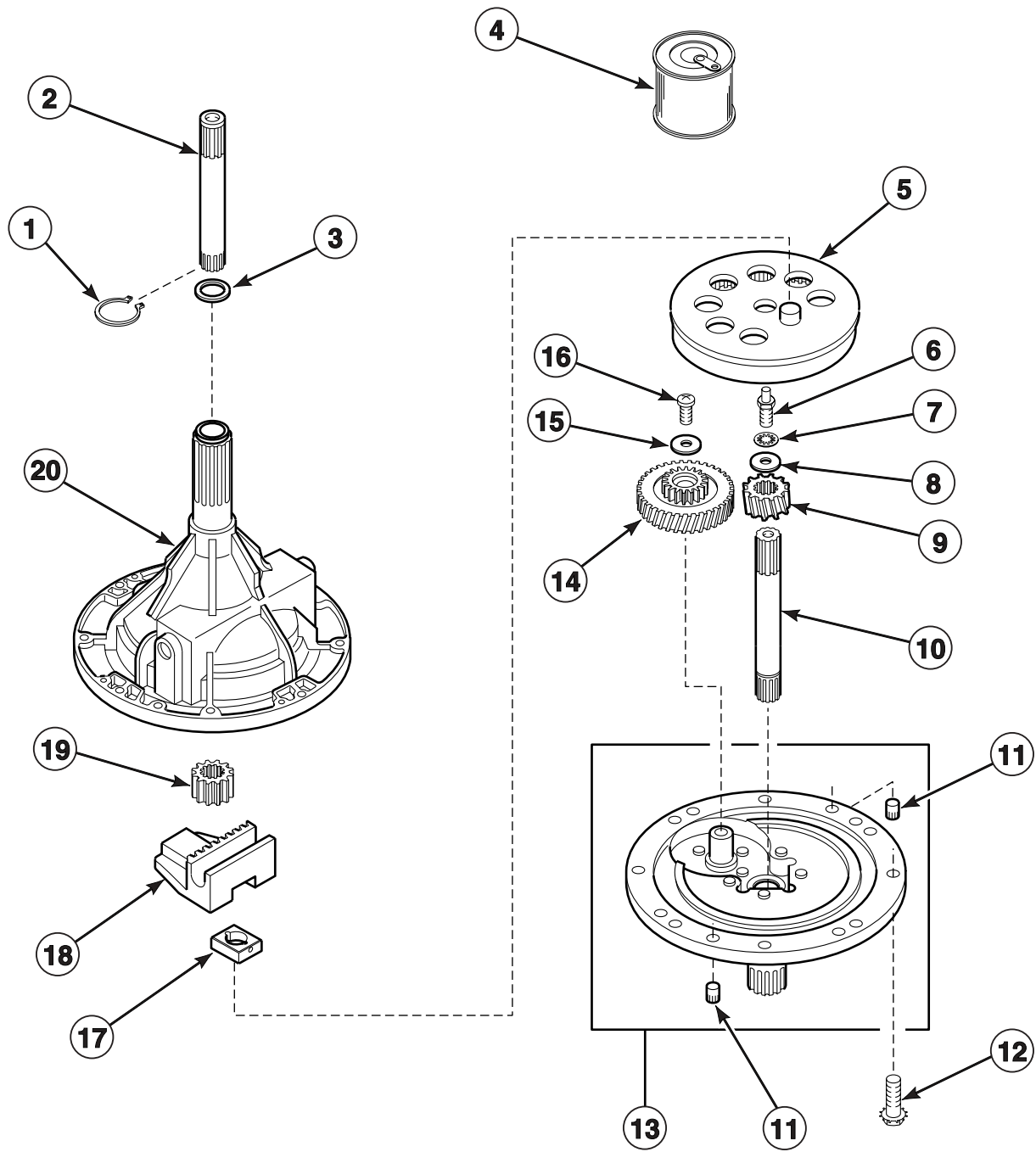
w234p_36315

Transmission Assembly and Balance Ring

REF	PART NO.	DESCRIPTION	COMMENTS
	27604P	Anti-Seize Compound	Apply to both upper and lower transmission shafts
1	27222	Retainer Nut	
2	27182	Bearing Housing Assembly	
3	34731	Balance Ring	
4	34526P	Transmission Assembly	
5	N/A	Cap Screw	
6	36991	Screw	
7	27187	Flinger	Through Serial No. 9510053576

N/A = Part no longer available

34526P Transmission Assembly

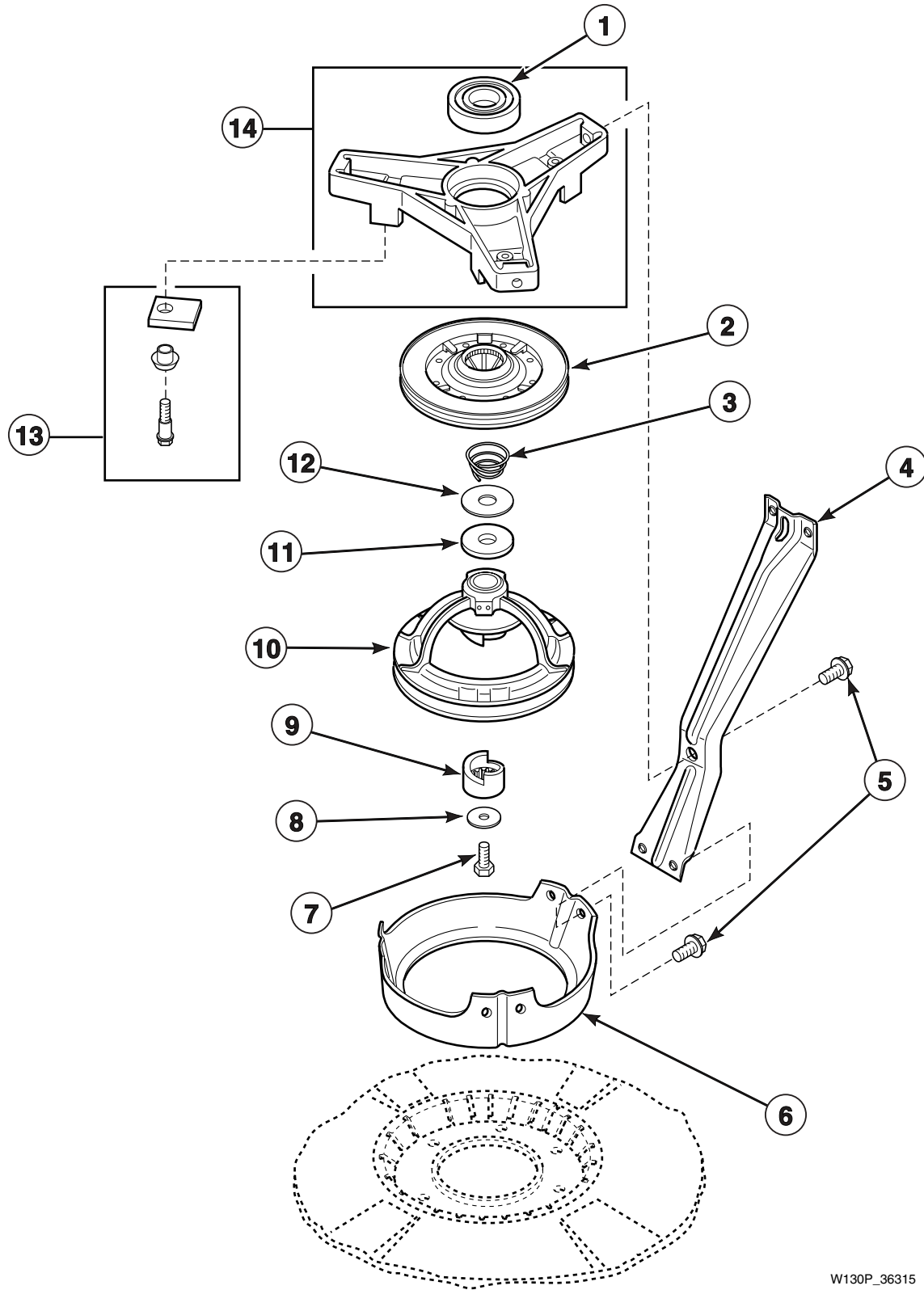


W157P_36315

34526P Transmission Assembly

REF	PART NO.	DESCRIPTION	COMMENTS
	37577P	Sealant	Use between transmission case and cover
1	27197	Retainer Ring	
2	36570	Output Shaft	
3	35092	Washer	
4	27243P	Transmission Oil	1 fill
5	26577	Internal Gear	
6	27030	Special Screw	
7	21456	Lockwasher	
8	26509	Washer	
9	36562	Drive Pinion	
10	34853	Input Shaft	
11	27172	Dowel Pin	
12	32814	Screw	
13	38290	Transmission Cover Assembly	
14	29161	Reduction Gear	
15	29260	Washer	
16	29273	Screw	
17	26493	Slide	
18	31526	Rack	
19	27003	Agitator Pinion	
20	33223P	Transmission Case Assembly	

Bearing Housing, Brake, Pulley and Pivot Dome

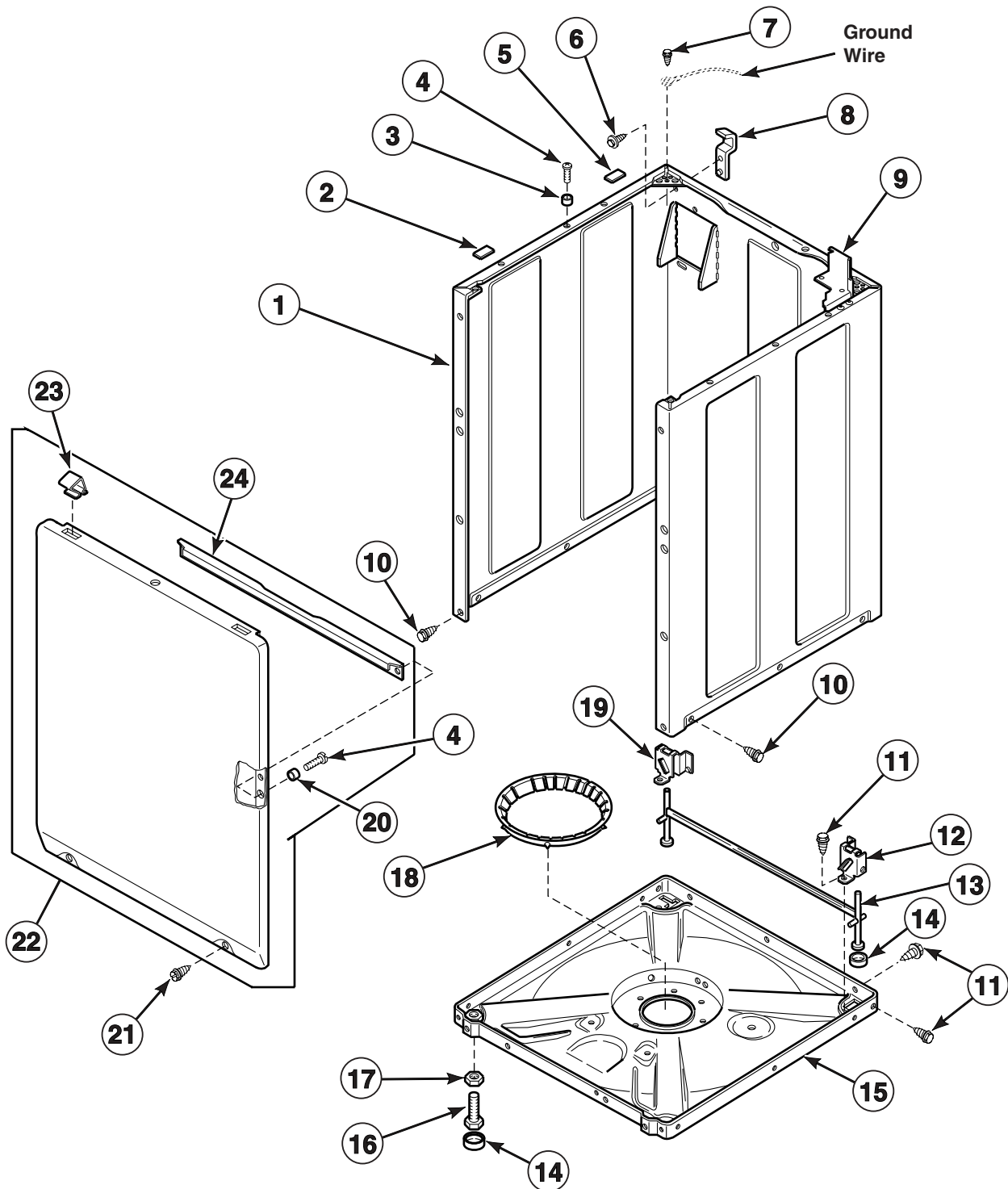


W130P_36315

Bearing Housing, Brake, Pulley and Pivot Dome

REF	PART NO.	DESCRIPTION	COMMENTS
	26594P	Silicone Lubricant	Apply a small amount to each new brake pad
1	28944R	Bearing	
2	38505P	Brake	
3	33435	Spring	Through Serial No. 9606029040
4	34792	Support Leg	
5	35369	Screw	
6	34470	Pivot Dome	
7	27220	Screw	
8	26509	Washer	
9	27018	Helix	
10	34923	Pulley Assembly	60 Hertz
	35310	Pulley Assembly	50 Hertz
11	27015	Washer	Thick
12	35535	Washer	Thin
13	548P3	Brake Pad Kit	Includes 3 pads, sleeves and screws
14	35746	Bearing Housing Assembly	

Front Panel, Base Assembly and Cabinet Assembly



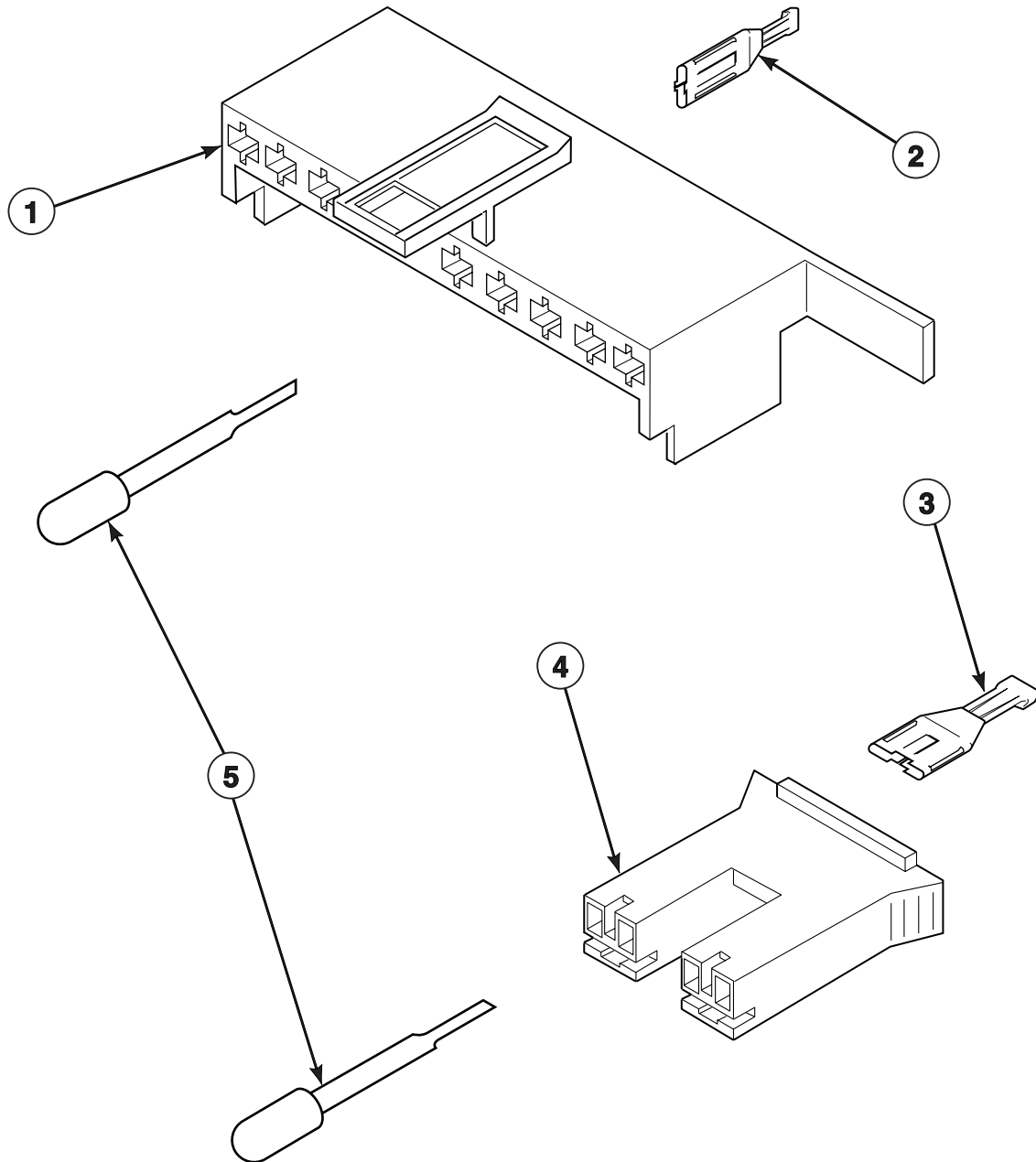
W200P_36315

Front Panel, Base Assembly and Cabinet Assembly

REF	PART NO.	DESCRIPTION	COMMENTS
1	38612*P	Cabinet Assembly	
2	56128	Bumper Pad	Thin
3	56079	Panel Locator	
4	39733	Screw	
5	36226	Bumper Pad	Thick
6	51780	Screw	
7	23962	Screw	
8	27103	Hinge	
9	35867	Mounting Bracket	Metered Models
10	27196	Screw	
11	35148	Screw	
12	36036	Bracket	Right
13	34443	Leveling Leg and Stabilizer Bar	
14	34318	Rubber Foot	
15	34434P	Base Assembly	
16	34319	Leveling Leg	
17	21899	Locknut	
18	36108	Snubber Pad and Isolator	
19	36037	Bracket	Left
20	28102	Panel Locator	
21	27196	Screw	Slotted head
	35527	Screw	Torx head; Refer to <i>Special Tools</i> section for Torx Bit and Holder Tool
22	34656*P	Front Panel Assembly	Includes items 4, 20, 23 and 24
23	35865	Hold-Down Clip	
24	35097	Brace	

* Add Letter To Designate Color. L - Almond W - White H - Harvest Gold (no longer available)

Mixing Valve and Motor Disconnect Blocks, Terminals and Terminal Extractor Tool

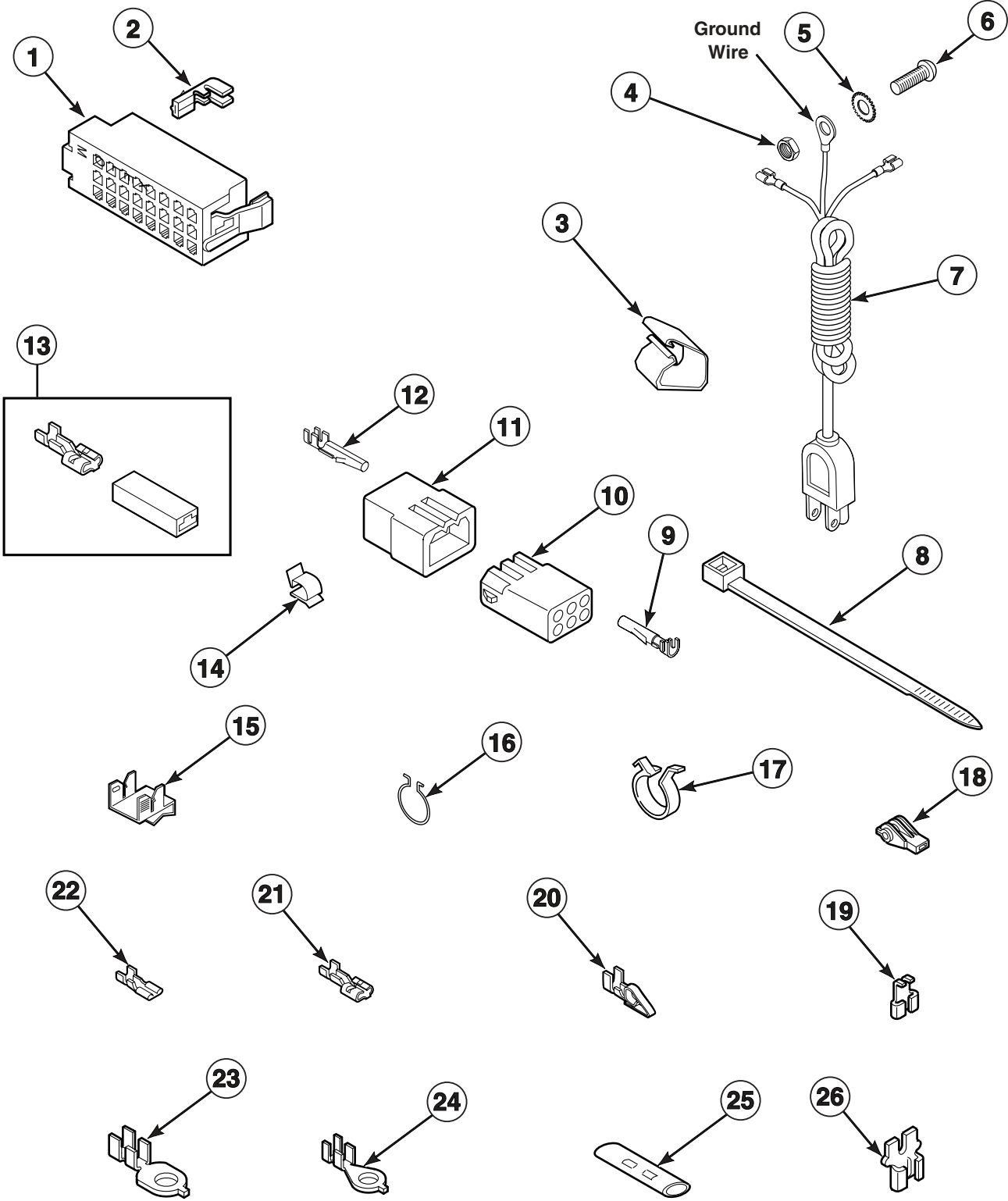


W134P_36315

Mixing Valve and Motor Disconnect Blocks, Terminals and Terminal Extractor Tool

REF	PART NO.	DESCRIPTION	COMMENTS
1	34677	Molex Housing	Motor
2	00188	Molex Terminal	For 1- or 2-wire application
3	00121	Spade Terminal	1/4 Inch
4	34675	Amp Housing	Mixing valve; Natural
	34676	Amp Housing	Mixing valve; Red
5	283P4	Terminal Extractor Tool	

Power Cord and Terminals



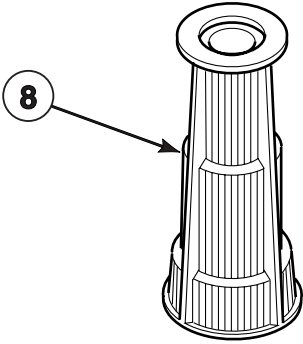
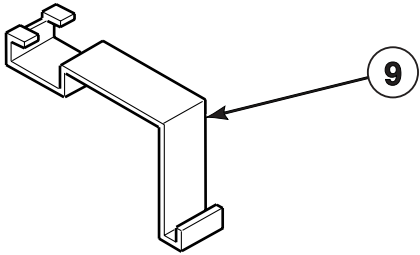
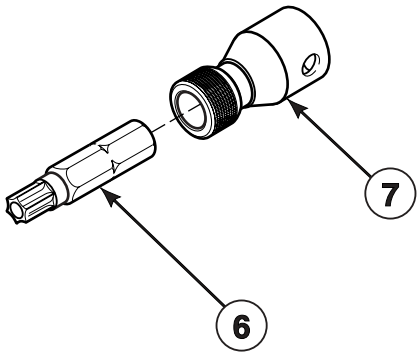
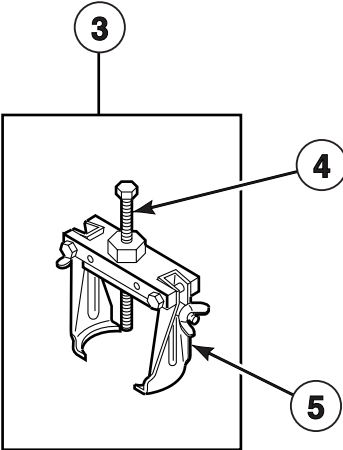
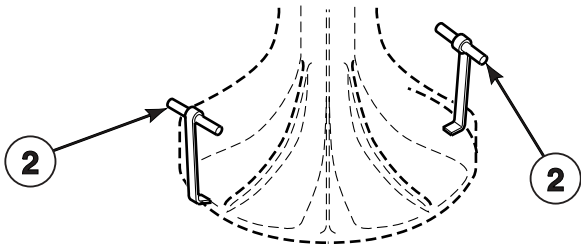
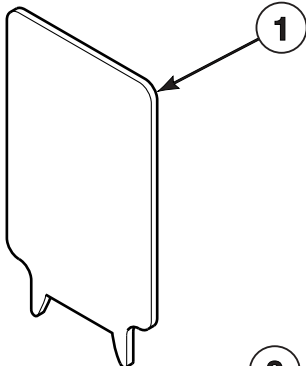
W203P_36315

Power Cord and Terminals

REF	PART NO.	DESCRIPTION	COMMENTS
1	32746	Molex Housing	Right hand
	34123	Molex Housing	Left hand
2	00188	Molex Terminal	For 1- or 2-wire application
3	N/A	Harness Clip	
4	03673	Nut	
5	21735	Lockwasher	
6	20267	Screw	
7	38362	Power Cord	Models EA2011-3000, EA2111-3000, EA2211-3000, EA2211-3066 and EA2921-3000
	36770	Power Cord	Models EA2011-3050, EA2111-3050 and EA2921-3050
	N/A	Power Cord	Models EA2111-3059, EA2921-3059, ZA2011-3059, ZA2111-3059 and ZA2921-3059
	38363	Power Cord	Models EA2111-5400, EA2111-5406, EA2111-5412 and EA2111-5417
	34458	Power Cord	Models ZA2021-1102 and ZA2921-1102
	39404	Power Cord	All other models
8	55881	Wire Tie	
9	00117	Terminal	Female
10	26302	Terminal Block	1 circuit
	26708	Terminal Block	6 circuit
	26163	Terminal Block	9 circuit
11	26302	Terminal Block	1 circuit
	23041	Terminal Block	6 circuit
	23033	Terminal Block	9 circuit
12	00116	Terminal	Male
13	00234	Terminal and Housing Assembly	
14	21036	Cable Clip	
15	00161	Ground Clip	
16	51291	Wire Clip	
17	504034	Wire Clip	
18	70210	Plastic Insulator	
19	00120	Flag Terminal	Right Angle
20	N/A	Spade Terminal	Female; 1/4 inch
21	00223	Spade Terminal	Large spade
22	00112	Spade Terminal	Small spade
23	00113	Eyelet Terminal	1/4-inch ring
24	00110	Eyelet Terminal	Small shank
25	21091	Connector	
26	29673	Double Connector	

N/A = Part no longer available

Special Tools

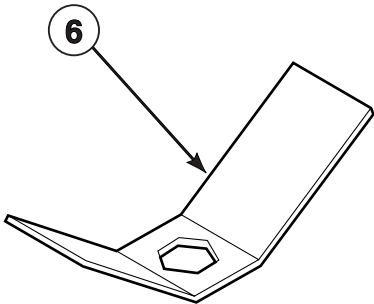
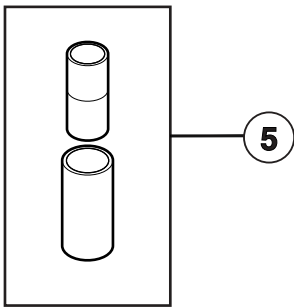
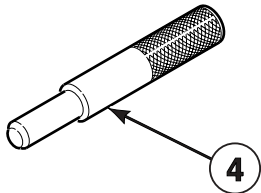
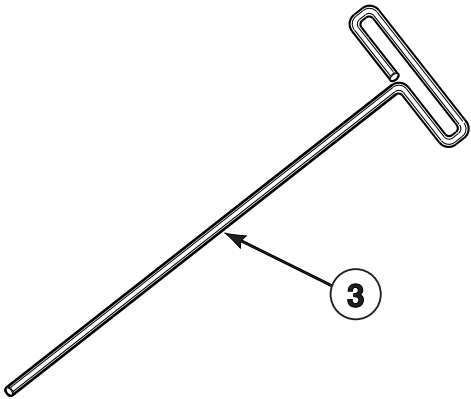
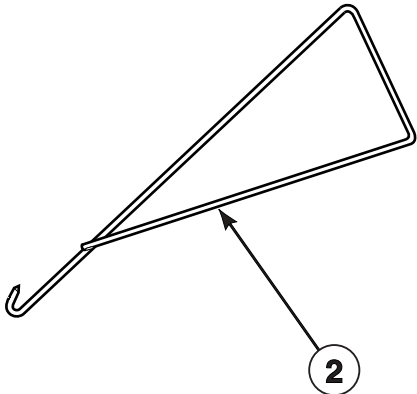
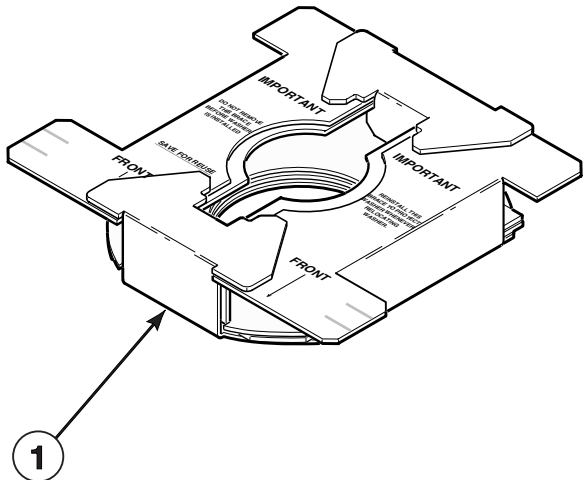


W279P_36315

Special Tools

REF	PART NO.	DESCRIPTION	COMMENTS
1	272P4	Lid Switch Tool	Use to install lid switch
2	254P4P	Agitator Hooks	Use to remove agitator from drive bell; Set of two
3	294P4	Bell Tool	For removal and installation of drive bell to transmission shaft
4	294P4B	Drive Bell Bolt	To update item 3
5	294P4A	Drive Bell Arms	To update item 3
6	281P4	T15 Tamper Resistant Bit	For removal and installation of control hood security screws
	282P4	T25 Tamper Resistant Bit	For removal and installation of pump and front panel attaching screws
7	24161	Torx Bit Holder	3/8-inch drive
8	293P4	Seal Tool	For installation of 36425 Seal
9	273P4	Outer Tub Cover and Gasket Tool	Use to remove 36025P outer tub cover and install 32857 gasket in outer tub cover

Special Tools



W280P_36315

Special Tools

REF	PART NO.	DESCRIPTION	COMMENTS
1	N/A	Shipping Brace	
2	321P4	Spring Hook	For removal of centering springs from outer tub
3	291P4	T-Handle Allen Wrench	For removal and installation of 3 pump assembly attaching screws
4	305P4	Transmission Pin Tool	Use pin tools in place of dowel pins when reassembling transmission cover and case; Two required
5	242P4	Brake Spring Installer	For installing brake spring
6	306P4	Hex Wrench	For removal of locknut from washtub hub

N/A = Part no longer available

Wire Harnesses and Wires

PART NO.	DESCRIPTION	COMMENTS
36278	Base Harness	
38911	Timer Harness	Models EA2011-3000, EA2011-3050 and ZA2011-3059
36094	Timer Harness	Models EA2921-3000, EA2921-3050, EA2921-3059, ZA2921-1102, ZA2921-3059 and ZA2921-99E4
34092	Timer Harness	Model ZA2021-1102
29281	Timer Harness	Models ZA2121-1102 and ZA2221-1102
34175	Timer Harness	Model ZA2221-99E4
39806P	Timer Harness	All other models
36093	Hood Harness	Models EA2921-3000, EA2921-3050, EA2921-3059, ZA2921-1102, ZA2921-3059 and ZA2921-99E4
33805	Hood Harness	Model ZA2021-1102
33758	Hood Harness	Models ZA2121-1102, ZA2221-1102 and ZA2221-99E4
N/A	Hood Harness	All other models
31973	Lid Lock Harness	Models EA2111-3059, EA2921-3059, ZA2011-3059, ZA2111-3059 and ZA2921-3059
45001	18 Gauge Wire	Black; Order wire by foot and terminals and connectors as required
45380	12 Gauge Wire	Orange; Order wire by foot and terminals and connectors as required

N/A = Part no longer available

NOTE: Individual wires not serviced separately. Order complete harness, or order wire by the foot. When applying terminals to wires, it is recommended that terminals be soldered to wires.

Parts Index

A

Actuator	
36164	7
Actuator Arm	
33441	27
Actuator Support	
36163	7
Agitator	
33513	33
Agitator Hooks	
254P4P	53
Agitator Pinion	
27003	43
Amp Housing	
34675	49
34676	49
Anti-Seize Compound	
27604P	41

B

Backflow Preventer	
34500	29
Balance Ring	
34731	41
Base Assembly	
34434P	47
Base Harness	
36278	56
Bearing	
28944R	45
Bearing Housing Assembly	
27182	41
35746	45
Bell Tool	
294P4	53
Belt	
27155	37
28043	37
28808	37
35517	37
Bolt	
29651	9
Brace	
35097	47
Bracket	
35525	9, 11, 13
36036	47
36037	47
Brake	
38505P	45
Brake Pad Kit	
548P3	45
Brake Spring Installer	
242P4	55
Bumper	
21685	23, 25
32648	15, 17, 19, 21

Bumper Pad	
36226	47
56128	47
Bushing	
33446	25
36474	23, 25

C

Cabinet Assembly	
38612*P	47
Cabinet Top	
36122*P	25
36273*P	25
Cable Clip	
21036	51
Cap Screw	
02916	19, 21
27202	33
Carriage Bolt	
02505	5, 9, 11, 13
Centering Spring	
35947	35
Clip	
28849	37
33433	27
36985	35
Clothes Guard	
32990	33
Clutch	
29503	9
Coil	
34963A	31
Coin Drop	
M411605	11
M411606	11
M411607	11
M411608	11
M411704	11
M411706	11
M411707	11
M411708	11
M411709	11
M414549P	11
431631	11
Coin Drop Front Plate	
501966	11
501968	11
501969	11
501970	11
501971	11
501972	11
501973	11
501974	11
501975	11
501976	11
501977	11
501978	11
Coin Funnel Kit	
523P3	9
Coin Slide Start Security Kit	
552P3	7

Connector	
21091	51
Control and Shield	
36401P	19, 21
38188P	21
Control Hood	
37075*	15, 17, 19, 21
Control Hood Rear Panel	
38267	15, 17, 19, 21
Control Knob	
39897	15, 17
Control Panel Frame	
36097*	21
36521*	15, 17
Control Panel Overlay	
32460	15
32549	17
34312	15
35681	15
35716	17
35960	15
35961	15
36390	21
39096	21
Counter Kit	
62113P	9
Cycle Selector Switch	
27762	15

D

Director Bracket	
36034	23, 25
Double Connector	
29673	51
Dowel Pin	
27172	43
Drain Hose	
28293	39
Drain Hose Elbow	
35766	39
Drive Bell and Seal Kit	
39508	33
Drive Bell Arms	
294P4A	53
Drive Bell Bolt	
294P4B	53
Drive Pinion	
36562	43
Dual Coin Drop Assembly	
200578	13
38467	13
38469	13
38472	13
38517	13
38518	13
38519	13
38520	13
38521	13
38522	13
38964	13
39157	13

E

Electric Lid Lock Kit	
598P3	17, 19
Eyelet Terminal	
00110	51
00113	51

F

Fill Hose	
38155	29
Flag Terminal	
00120	51
Flinger	
27187	41
Front Overlay	
38675	13
38676	13
38717	13
Front Panel Assembly	
34656*P	47

G

Gasket	
26354	11, 13
28094	33
29677	23
30378	23
32857	35
34338	23, 25
35526	9, 11, 13
39122	33
Grommet	
29175	35
80262	25
Ground Clip	
00161	51

H

Helix	
27018	45
Helper Spring	
30620	37
Hex Wrench	
306P4	55
Hinge	
27103	47
36437	23, 25
36438	23, 25
Hold-Down Clip	
35865	47
Hood Harness	
33758	56
33805	56
36093	56
Hose Clamp	
20211	39
20391	39

29210	29
36801	29
36802	39
Hose Clip	
36014	39
Hose Coupler	
25863	39
Hose Support	
35487	39
Hub and Seal Kit	
495P3	33

I

Idler Lever	
31054	37
Idler Pulley	
28800	37
Idler Shaft	
28802	37
Indicator Light	
32463	15
32464	15
32466	15
32518	15, 17
32519	15, 17
38281	15, 17
39536	17, 19
Inlet Hose	
28330P	29
37380	29
37381	29
38349P	29
Inlet Screen	
F270200	31
Input Shaft	
34853	43
Internal Gear	
26577	43

K

Knurled Nut	
24205	15, 17
24206	17, 19

L

Latch	
29674	23
Leg Plate	
27926	35
Leveling Leg	
34319	47
Leveling Leg and Stabilizer Bar	
34443	47
Lever	
33442	27
Lid Lock	
29678	23

Lid Lock Harness	
31973	56
Lid Switch Tool	
272P4	53
Loading Door	
39233*P	25
Locking Bracket	
30642	9, 11, 13
Locking Rod	
501365	11
Locknut	
21899	47
28803	37
29220	33
29786	9, 11, 13
52566	15, 17, 19, 21, 37
Lockwasher	
M400017	5, 15, 17, 19, 21
02431	5, 15, 17, 19, 21
21456	5, 43
21734	5
21735	51
91176	15, 17

M

Magnet	
501453	11, 13
Meter Case	
38542*P	11, 13
524P3*	9
Meter Case Gasket	
26354	9
Mixing Valve	
34963P	31
34997P	31
Mixing Valve Mounting Bracket	
39407	29
Molex Housing	
32746	51
34123	51
34677	49
Molex Terminal	
00188	49, 51
Motor Assembly	
28203P	37
35485P	37
35486P	37
35555P	37
35559P	37
35561	37
36381P	37
Motor Mount	
34788	37
Motor Mount Post	
34791	37
Motor Pulley	
27104	37
Motor Shield	
34754	37
Motor Switch	
35632	37
Mounting Bracket	
35162	39

35867	47
Mounting Plate	
29676	23

N

Nut	
02788	17, 19
03673	51
20275	5
22001	23
29796	9
35423	37
36020	25
52566	5
52947	17, 19

O

O-Ring	
36472	33
Outer Tub	
34439P	35
Outer Tub Cover	
36025P	35
Outer Tub Cover and Gasket Tool	
273P4	53
Output Shaft	
36570	43

P

Panel Locator	
28102	47
56079	47
Pivot Dome	
34470	45
Plastic Boot	
36165	7
Plastic Insulator	
70210	51
Plug	
34153	25
36511	33
Power Cord	
34458	51
36770	51
38362	51
38363	51
39404	51
Pressure Bulb	
30907	35
Pressure Hose	
39124	35
39125	35
Pressure Switch	
35889	15, 17, 19, 21
Pulley Assembly	
34923	45
35310	45
Pump Assembly	
31969	39

Pump-to-Elbow Hose	
27161	39
Push Button Switch	
55882	17, 19
Push-On Clip	
34762	17, 19
Push-to-Start Sticker	
53738	5

R

Rack	
31526	43
Reduction Gear	
29161	43
Retainer Nut	
27222	23, 25, 41
30647	9, 11, 13
Retainer Ring	
23748	37
27197	43
Roll Pin	
10416	37
Rubber Foot	
34318	47

S

Screw	
Q6695	23
02916	5, 15, 17
20267	51
21720	9
23222	15, 17, 19, 21
23962	5, 15, 17, 19, 21, 23, 25, 27, 29, 47
27196	25, 47
27220	45
27328	5
29273	43
31098	39
32814	43
33562	29
34337	23, 25
35148	47
35369	35, 45
35527	47
35528	15, 17, 19, 21
36048	9, 11
36166	7
36510	27
36639	37
36991	41
39733	47
500226	15, 17, 19, 21
501524	19, 21
503661	37, 39
503673	9, 11, 13, 23, 25
51778	5
51780	47
52909	39
80399	5
Screw and Lockwasher	
03950	7
23008	23, 25

Seal	
36425	33
Seal Tool	
293P4	53
Sealant	
37577P	43
Service Door	
35798*P	9, 11, 13
Shield	
39744	25
Shoulder Bolt	
27229	37
Shoulder Screw	
39432	33
502431	9
Silicone Lubricant	
26594P	45
Single Coin Drop Assembly	
38462	13
38463	13
38464	13
38479	13
38963	13
Siphon Break Kit	
562P3	39
Slide	
26493	43
Slide Extension	
501483	7
Snubber Pad and Isolator	
36108	47
Spade Terminal	
00112	51
00121	49
00223	51
Special Screw	
27030	43
Speed Nut	
36020	23
Splined Insert	
29728	33
Spring	
33435	45
33443	27
37366	37
Spring Hook	
321P4	55
Sticker	
24903	23, 25
500049	35
500314	25
500316	25
Strain Relief	
10382	23, 25
38384	25
Support	
56534	23, 25
Support Leg	
34792	45
Switch	
33445	27
33527	27
34536	11
34599	11, 13
504570	11, 13

Switch Holder Kit	
36497P	27

T

Terminal	
00116	51
00117	51
Terminal and Housing Assembly	
00234	51
Terminal Block	
23033	51
23041	51
26163	51
26302	51
26708	51
Terminal Extractor Tool	
283P4	49
T-Handle Allen Wrench	
291P4	55
Timer Assembly	
28716	5
28719	5
31111P	9
31504P	9
34601P	9
34602P	9
34603	9
34604	9
35368P	9
Timer Bracket	
35249	9
Timer Case	
37733W	5
Timer Harness	
29281	56
34092	56
34175	56
36094	56
36278	56
39806P	56
Timer Knob Assembly	
26256	5
Timer Plate	
31864W	5
Torx Bit Holder	
24161	53
Transmission Assembly	
34526P	41
Transmission Case Assembly	
33223P	43
Transmission Cover Assembly	
38290	43
Transmission Oil	
27243P	43
Transmission Pin Tool	
305P4	55
Tub-to-Pump Hose	
35754	39
T15 Tamper Resistant Bit	
281P4	53
T25 Tamper Resistant Bit	
282P4	53

W

Wash Temperature Switch	
81799	15, 17
Washer	
20290	29
21643	23
23225	5
26509	43, 45
27015	45
29260	43
29443	37
30627	5
35092	43
35535	45
35774	9, 11, 13, 23, 25
35917	9, 11, 13, 23, 25
52549	37
81392	37
Washtub	
39252P	33
39387P	33
Wire Clip	
504034	51
51291	51
Wire Tie	
55881	51
Wire, 12 Gauge	
45380	56
Wire, 18 Gauge	
45001	56
